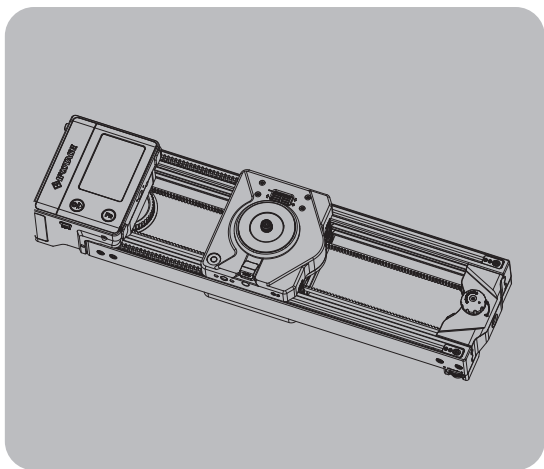


Shark Slider *nano*

Shark Slider Nano Instruction Manual



Thank you for purchasing this iFootage product. The Shark Slider Nano is compact, lightweight, easy to carry and is ideal for time-lapse, stop-motion and interior or exterior location camera movement. To get the most from your Shark Slider Nano, please read the following instructions carefully before operating the equipment. Please keep the manual safe for future reference.

This instruction manual supports the following:

1. Shark Slider Nano Standard
2. Shark Slider Nano Bundle

CONTENTS

■ TECHNICAL INFORMATION	01
■ FEATURES	02
■ PRECAUTIONS	02
■ COMPONENT DESCRIPTION	03
■ INSTALLATION GUIDE AND FUNCTIONS	04-09
■ SET UP	10
■ SCENARIOS	11-13

TECHNICAL INFORMATION

Shark Slider Nano	Track Specifications	421x108x71 mm	
Weight	2.15kg	Slider endurance time	4H
Working temperature	-25 °C-+65 °C	Humidity	≤80%
Battery model	750 lithium battery	Vertical payload	2.0kg
Material	Aluminum alloys + SUS304 Stainless steel + Polymer composite		
Rated voltage	7.4VDC	Rated current	1.2A
Table horizontal payload	3.5kg	Tripod horizontal payload	2.5kg
Useable Length	Table mounted: 200±1.5mm Tripod mounted: 400±3mm		



Note: Please read the following information:

1. Whilst every care has been taken to ensure that this manual supports the product and our customers, some ambiguity or description omissions may exist. We always welcome customer feedback on how we can improve the product manual.
2. Please note that customers who have purchased the following will need to download the iFootage App which currently supports iPhone IOS9.3 and Android 6.0.
3. Please check all components and packaging for any damage. In the case of missing or defective parts, please contact your distributor as soon as possible.
4. For Shark Slider Nano first time use, please read the 'precautions' section.
5. Please install the battery prior to using this equipment. When the battery level is low, power can be supplied via the Micro USB port whilst simultaneously charging the battery during operation.
6. Please note that the camera, head, tripod, smart phone, vertical shoot quick release plate and battery are not included in the package and are used for illustrative purposes only.

FEATURES

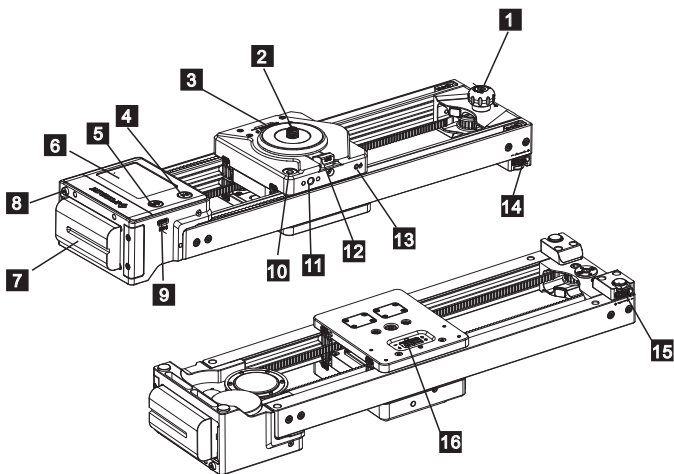
1. Lightweight, compact, portable and easy to deploy.
2. Provides USB power supply whilst simultaneously charging battery.
3. Reliable, wireless control using Bluetooth BLE 5.0 and 2.4 GHz.
4. Instant automatic connectivity via Smartphone Bluetooth BLE 5.0.
5. iFootage motion control App with free firmware updates allowing you to experience the very latest functionality.
6. Ultra silent, brushless, servo drive technology providing accurate positioning: super smooth and super quiet.
7. Unique 2 in 1 dual axis motion control design combines slide movement with 360 degree pan movement.
8. Lightweight and supremely compact Bi-directional maximum movement achieved with minimum body length.
9. Enjoy total slider functionality and control via the innovative highlight IPS touchscreen or Smartphone App.
10. iFootage Moco App interface simultaneously supports control of the slider carriage and the recording.

PRECAUTIONS

1. Prior to opening the App please ensure that your Smartphone's Bluetooth is activated. If using an Android device please ensure that the Smartphone's GPS is activated.
2. Please use only F750 batteries. Alternative batteries may damage the unit.
3. As a result of lithium battery discharge characteristics and the overall power requirements for the Shark Slider Nano to operate, should the battery power be 20% or less, the operation time may be reduced to less than 10 minutes. Please ensure the battery is fully charged so that there is sufficient power for sustained operation. When battery power is low, it is possible to switch to a USB power supply which will also recharge the battery in addition to powering the unit.
4. The output current for the charging power adapter should be above 2A in order to charge effectively.
5. Once activated, the Nano automatically moves to the initial status/zero point. Please ensure that the track is clear of obstacles prior to starting. It is recommended that users keep their hands clear of the tracks to avoid damage or injury.
6. Always protect the equipment when working in dusty, damp or wet environments. Failure to ensure adequate protection from elements may result in equipment failure.
7. Do not use this motion control unit in environments above 65°C and below -25°C degrees.
8. Any disassembly or modification without authorization or improper use of the equipment may result in damage and affect the warranty.
9. In order to operate the Nano via the iFootage Moco App please follow the download instructions below:
IOS users: search "iFootage Moco" / "iFootage" in the Apple App Store and then download, or scan the QR code to download.
Android users: search "iFootage Moco" / "iFootage" in the Android App Store and then download, or scan the QR code to download.

COMPONENT DESCRIPTION

■ Shark Slider Nano



1 Carriage lock button

2 1/4" & 3/8" connection screw

3 Carriage tightness adjustment button

4 Fn gesture control button

5 On/Off switch & Confirm button

6 Touchscreen

7 Battery

8 Battery release button

9 USB-C port

10 Spirit level

11 1/4" switch port

12 Pan axis lock button

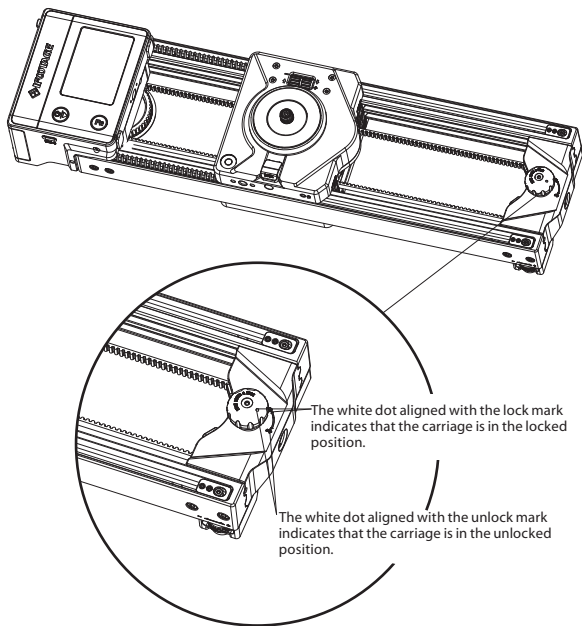
13 2.5mm Shutter port

14 Left side height adjustment control

15 Right side height adjustment control

16 Bottom carriage tightness adjustment control

INSTALLATION GUIDE AND FUNCTIONS



■ Note:

It is important that prior to operating the Shark Slider Nano the carriage must be in the 'unlocked' position.

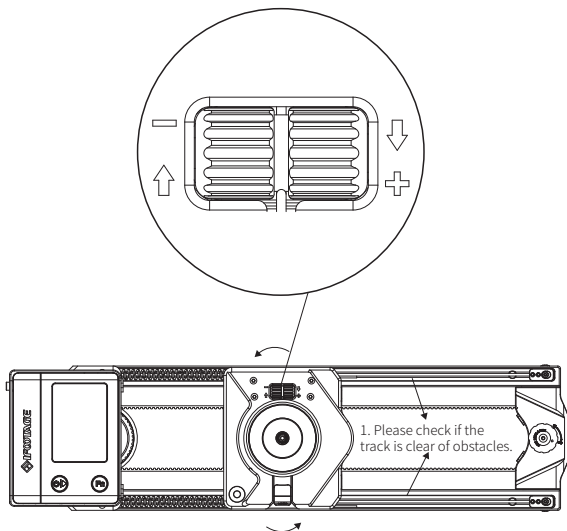
1. If the carriage is in the locked position, please press the button and rotate towards the unlock mark and release.
(Press down and rotate the button until it will no longer rotate - it is then in place)

INSTALLATION GUIDE AND FUNCTIONS

■ Note:

1. Please ensure that the track is clear of obstacles prior to starting.
2. Please check that the carriage movement is 'firm'. You can adjust the carriage using the carriage tightness adjustment button.

Note: Do not over tighten.

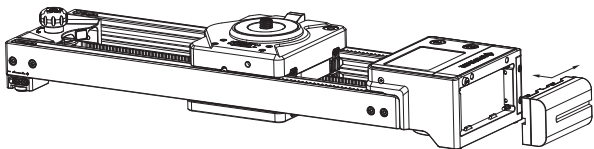


2. Adjustment can be found underneath the carriage.

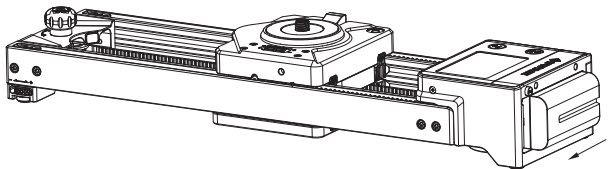
INSTALLATION GUIDE AND FUNCTIONS

■ Installation and removal of the battery

*Please install the battery prior to starting.



Installation: Carefully place the battery in the receiving port and gently push to the right. An audible click indicates that the battery is correctly installed.

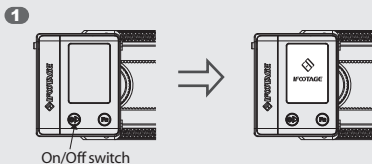


Removal: To remove the battery, press the battery release button, slide the battery left and lift out.

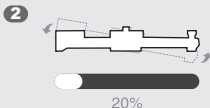
INSTALLATION GUIDE AND FUNCTIONS

■ Start up

Step 1: Please follow the procedure below.



To turn on, please press and hold the 'ON' switch for 3 seconds until the boot animation appears.



Prior to attaching any equipment, level the slider and await the 'dynamic calibration process' to indicate 100%. Avoid any contact with the slider during this procedure.



Install the device and place the camera lens perpendicular to the track. After the setting is completed, press "calibrated" to confirm before normal use.

Note: Auto calibration takes place after each restart.

APP download:

Scan the QR code or search **iFootage Moco** directly. Please visit www.footagegear.com for more information.

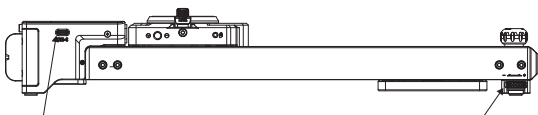


 **IFOOTAGE**

INSTALLATION GUIDE AND FUNCTIONS

■ Start up

Step 2: When using the Nano on a table top or on the ground, you can adjust the legs to required height.



USB-C QC port: allows for battery to be charged whilst Nano is in operation.

Rotate here to adjust the height of legs.

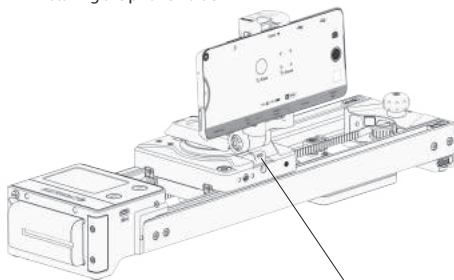
■ Shut down

Press and hold the On/Off switch for 3 seconds to turn off the screen.

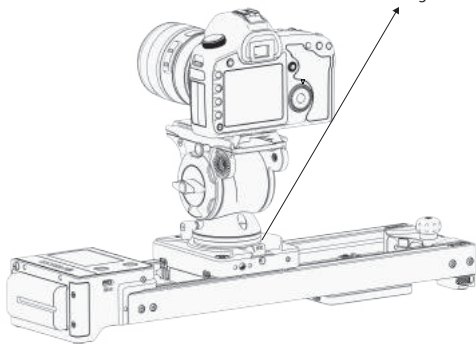
INSTALLATION GUIDE AND FUNCTIONS

■ Installation of phone holder and head

Installing the phone holder



Installing the head

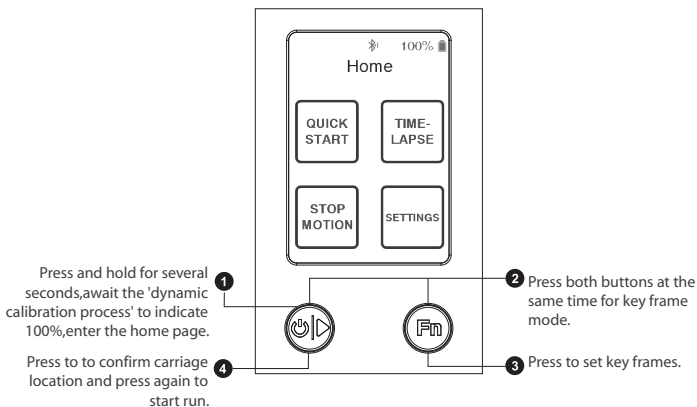


When installing the head or phone holder, please press the Pan Axis Lock button first, then tighten the head or phone holder.

SET UP

■ Quick start

1. Press and hold the On/Off switch for several seconds, level the slider and await the 'dynamic calibration process' to indicate 100%, then enter the home page.
2. Press the On/Off switch and Fn gesture control button at same time, to initiate the quick start mode.
3. Press the Fn gesture control button to set key frame point A and point B.
4. Press the button a second time and the carriage will return to zero point to start its run.

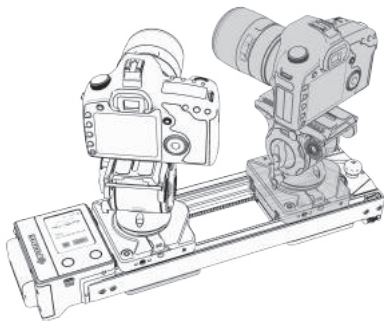
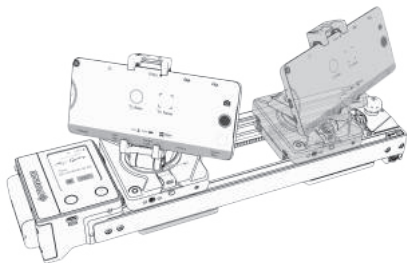


*For more information on functions please download the iFootage Moco App or visit the website: www.ifoottagegear.com for access to the software user manual.

SCENARIOS

■ Use in horizontal position

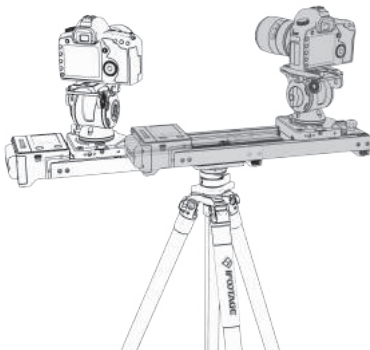
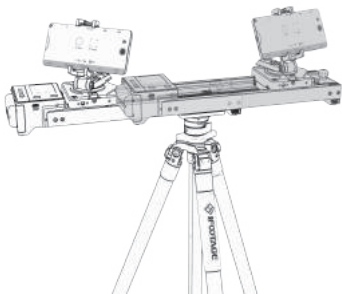
When using the Nano on the ground or on a table top please ensure that the track is free from any obstacle prior to start up.



SCENARIOS

■ Mounting the Nano on a tripod for bi-directional movement.

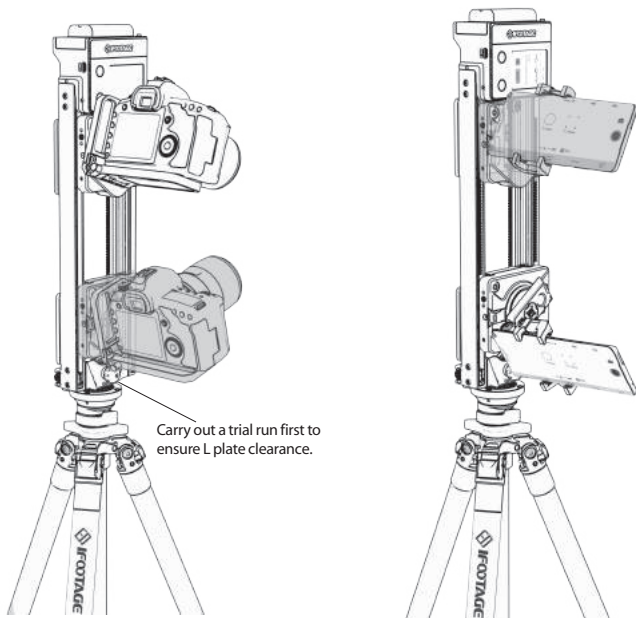
When using the Nano slider on a tripod please ensure that the tripod legs are spread sufficiently to fully support the carriage and camera movement.



SCENARIOS

■ Use in vertical position

Safety note: When using the Nano in the vertical position please ensure that you initially mount the slider to the tripod, then install the battery and lastly, after setting the carriage in the start position, attach the camera.



STATEMENT

iFootage and its associates will not be held responsible for the use or misuse of any of the iFootage products or any direct, indirect, punitive, incidental, special consequential property or life damage responsibility. The risk of users or any other person using this product shall be borne by the user. This will not affect your legal rights.



Please scan the QR code to download the iFootage Moco App. More information on functions and the software user manual can be found at: www.ifootagegear.com

MANUFACTURER INFORMATION



IFOOTAGE

IFOOTAGE INTERNATIONAL (HK) LIMITED

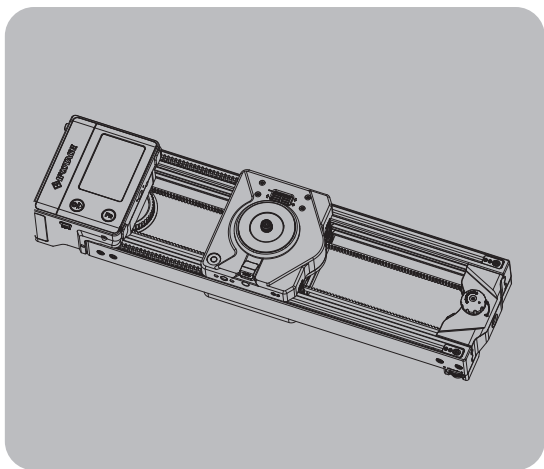
UK Design & Made in China

Origin: China

Website: www.ifootagegear.com

Shark Slider *nano*

Shark Slider Nano 滑軌安裝使用說明書



非常感謝您購買iFootage品牌的產品。Shark Slider Nano系列產品是壹款非常便攜、靈活的攝像產品，適用於延時拍攝、定格動畫、視頻拍攝。為了讓Shark Slider Nano系列產品發揮最大功效，請務必仔細閱讀所有使用說明，並妥善保管說明書以便本產品所有使用者可隨時參閱。本手冊為Nano系列的通用手冊。

目錄

■ 規格參數	17
■ 產品特點	18
■ 重點注意事項	18
■ 部件名稱	19
■ 安裝方法及功能拓展	20-25
■ 使用操作	26
■ 應用場景	27-29

規格參數

Nano滑軌	軌道規格	421x108x71 mm	
重量	2.15Kg	滑軌續航時間	4H
使用溫度	-25 °C--+65 °C	濕度	≤80%
電池類型	750鎵電池	垂直承重	2.0Kg
材質	航空級鋁合金+SUS304不銹鋼+高分子復合材料		
額定電壓	7.4VDC	額定電流	1.2A
水平桌面承重	3.5Kg	水平腳架承重	2.5Kg
使用長度	桌面上：200±1.5mm 腳架上：400±3mm		



注意事項：

1. 本說明書在編寫過程中已力求內容正確與完整，但仍然可能發生文字錯誤與技術描述疏漏的情形，懇請消費者及業界不吝賜教指正，以利於本手冊之修正工作，力保手冊內之正確性。
2. 本產品需下載APP使用，目前支持iPhone iOS9.3及以上版本，支持Android 6.0以上系統版本。
3. 購買產品時，請您檢查包裝是否完整，如果發現配件有損壞或者短缺的情況，請及時和原購買經銷商聯繫以獲得援助。
4. 初次使用本產品之前，請先閱讀“重點注意事項”。
5. 當開始使用本產品前必須先安裝電池，當電池電量不足時，可通過USB接口使用外接電源，實現正常使用，同時給電池充電的效果。
6. 說明書內相機、雲臺、腳架、手機、豎拍板、電池等非賣物，僅供參考。

產品特點

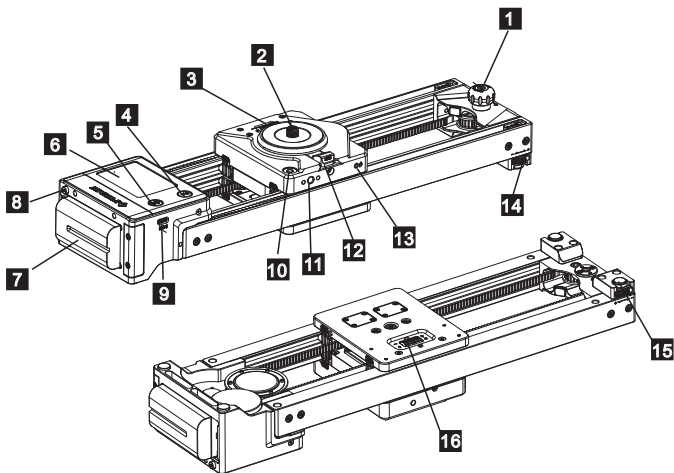
- 1、產品小巧、輕便，極其方便攜帶。
- 2、USB-C充電，長時間續航拍攝無壓力。
- 3、使用藍牙BLE5.0與2.4GHz無線控制，擺脫傳統接線控制的束縛。
- 4、通過手機APP藍牙BLE5.0 自動連接導軌，無需攜帶額外的控制端，使拍攝更加輕鬆、靈活、快捷。
- 5、手機應用程序推送底層固件更新，第壹時間體驗最新功能。
- 6、無刷伺服驅動技術，定位精準，平穩超靜音。
- 7、獨創平移與水平360°雙軸壹體式電控設計。
- 8、輕巧緊湊的雙向行程設計，達到短機身，長行程的效果。
- 9、機身自帶控制系統，IPS高亮觸摸屏，實現獨立控制設備，完成拍攝。
- 10、iFootage Moco APP裏的Nano使用界面，拍攝與控制壹體，實現拍攝和操控滑塊同壹界面，快速拍攝，快速分享。

重點注意事項

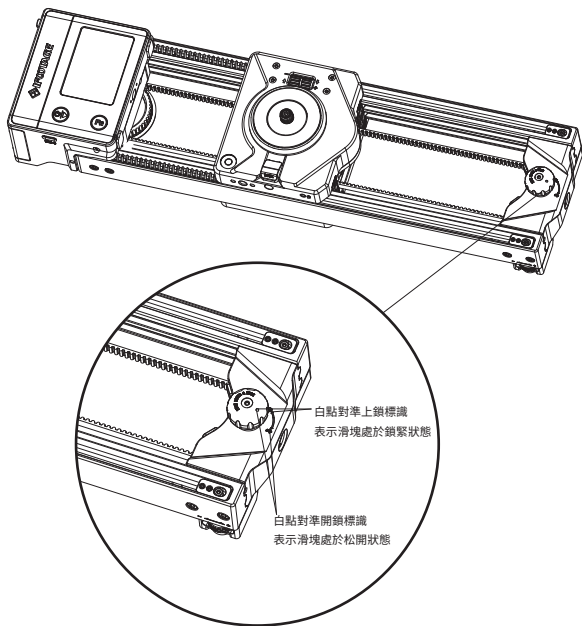
- 1、Shark Slider Nano滑軌與手機連接基於藍牙BLE5.0技術，打開APP連接設備前請確認手機藍牙是否已開啟；如使用Android系統的手機，需再確認定位已打開方可使用；
- 2、請使用F750電池為Nano滑軌供電，請勿使用其他型號電池供電；
- 3、由於鋰電池的放電特性和 Shark Slider Nano滑軌的功率要求，當電池電量小於等於20%時，滑軌的可運行時間將急劇減少(小於10分鐘)，所以使用設備時請確認電池有足夠電量完成拍攝；當電池電量不足時，不拆卸電池，可使用USB外接電源充電；
- 4、充電電源適配器輸出電流要求在2A以上，以達到最佳的充電效果；
- 5、開機後將直接回零，保證軌道內無障礙物，更不可將手指放置在回零行程內，以防夾傷；
- 6、請勿讓本設備受潮或在淋雨、多沙、多塵環境中使用，以免設備故障；
- 7、請不要在高於65℃低於零下25℃環境下使用本電控產品；
- 8、嚴禁私自拆卸、改裝或粗暴使用，嚴禁物理性撞擊本產品。
- 9、使用Shark Slider Nano時需要同時使用iFootageMoco App，請通過以下方法下載。
iOS用戶在Appstore上直接搜索iFootage Moco 或者搜索iFootage下載安裝，也可以通過掃描二維碼的方法下載。
Android用戶在應用市場上直接搜索iFootage Moco 或者搜索iFootage下載安裝，也可以直接通過掃描二維碼的方法下載。

部件名稱

■ Shark Slider Nano滑軌



- | | | | |
|--------------|-------------|-----------|-------------|
| 1 滑塊鎖緊旋鈕 | 2 1/4轉3/8螺釘 | 3 上滑塊調節旋鈕 | 4 Fn手動打點按鍵 |
| 5 開關鍵/確認鍵 | 6 觸摸操作屏幕 | 7 電池 | 8 電池保險按鈕 |
| 9 USB-C插口 | 10 水平器 | 11 1/4轉接口 | 12 PAN軸鎖緊按鍵 |
| 13 2.5mm快門插口 | 14 左腳調節旋鈕 | 15 右腳調節旋鈕 | 16 滑塊調節旋鈕 |



■ 注意事項

當您準備使用Nano滑軌的時候，首先看上圖所示滑塊是否處於開鎖狀態。

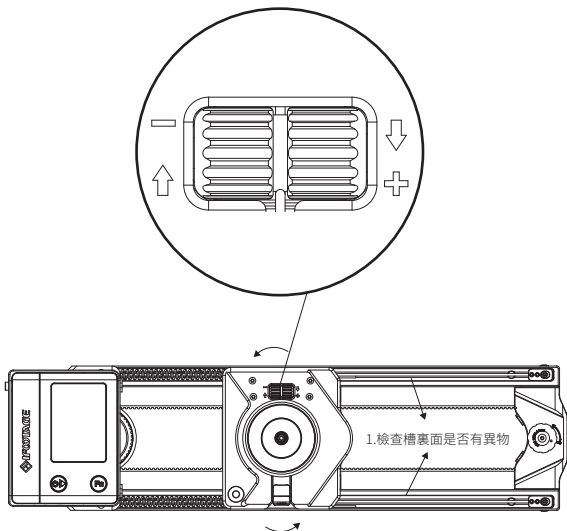
1. 如果圖中標識處於閉鎖狀態；向下按住旋鈕的同時往開鎖標識的方向旋轉，旋轉到位後松手即可。

（在按壓旋轉的過程中臺般擰不動了就表示旋轉到位了）。

安裝方法及功能拓展

■ 注意事項

1. 注意使用前檢查槽內是否有異物。
 2. 搖動上下滑塊看滑塊是否有虛位；如有鬆動的情況可以調節滑塊鬆緊旋鈕（如下圖所示）“+” 號表示調緊 “-” 號表示調松。
- *調節到位即可，無須調節過緊。

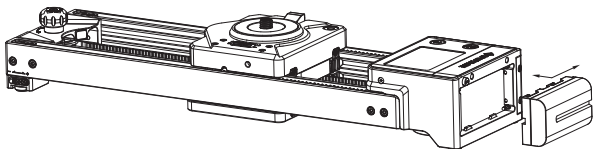


2. 左右轉動查看是否有晃動

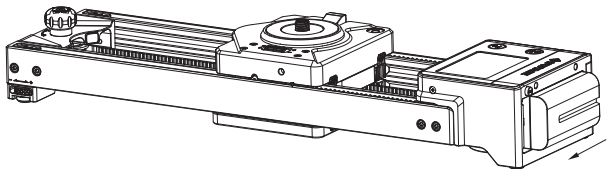
安裝方法及功能拓展

■ 安裝及拆卸電池

*注意：開機前需安裝電池，否則無法正常運行。



安裝：如圖所示將電池放入槽裏面向前推，聽到咔的壹聲表示裝配到位。

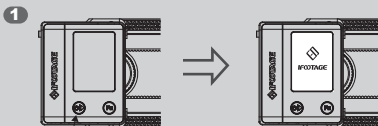


拆卸：拆卸電池時，首先按住電池保險，然後把電池往箭頭方向推；即可拆下電池。

安裝方法及功能拓展

■ 開機調試

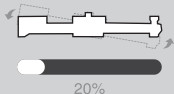
步驟1：使用Nano，請按照以下流程進行操作。



開機鍵

按開機鍵3秒開啓Nano，直至出現開機動畫。

2



先不要安裝任何設備。把機器放水平，等待自動校准進程達到100%，期間不要觸碰機器。

3



裝上設備，將相機的鏡頭調整到與軌道垂直。設置完成後，點擊“已校准”確認，方可正常使用。

注意：每次開機必須校准。

APP 下載，扫二维码或直接搜索 iFootage Moco.

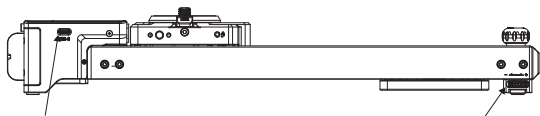
想了解更多資訊，請登陸 www.ifoorage.cn



安裝方法及功能拓展

■ 開機調試

步驟2: 當放在桌面上和平地上拍攝的時候，如果桌面不平可以調整支撐腳的高度左右撥動旋鈕即可調整支撐腳的高度。



USB-C快充口:可以壹邊充電壹邊使用(前提必須要插上電池)。

左右撥動旋鈕來調整支撐腳高度。

■ 關機

按住開關機鍵3秒後屏幕熄滅。

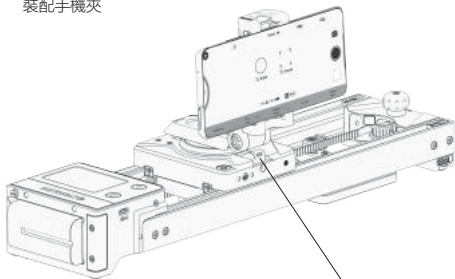
APP 下載，扫二维码或直接搜索 iFootage Moco.
想了解更多資訊，請登陸 www.iframe.cn



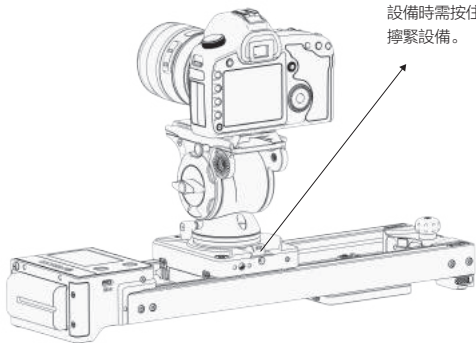
安裝方法及功能拓展

■ 安裝雲臺與手機夾

裝配手機夾



裝配雲臺

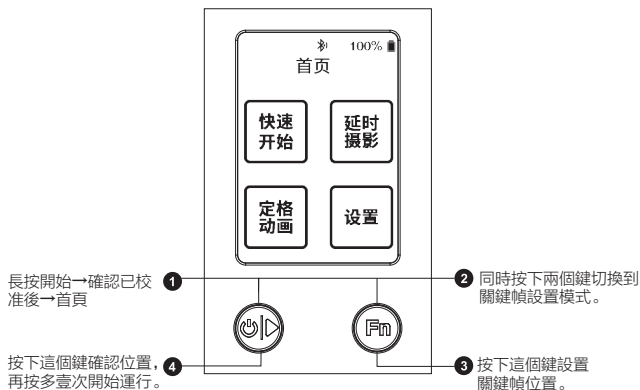


在滑塊上安裝雲臺、手機夾或其他設備時需按住PAN軸鎖緊按鍵然後再擰緊設備。

使用操作

■ 快速開始

1. 長按開機鍵，進入機器自動校准，確認設備已校准後，進入首頁。
2. 同時按下開機鍵與Fn手動打點按鍵，進入到快速開始模式。
3. 按下Fn手動打點按鍵設置關鍵幀A、B位置。
4. 按下開機鍵確認位置，再次按下回起點後開始運行。

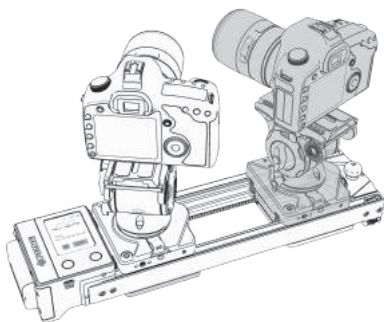
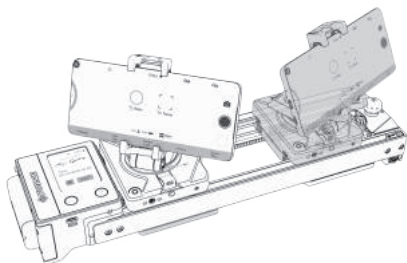


*更多模式請下載iFootage Moco App或登陸網址 (www.ifootage.cn) ,
查看說明書內詳細介紹。

应用场景

■ 桌面拍攝

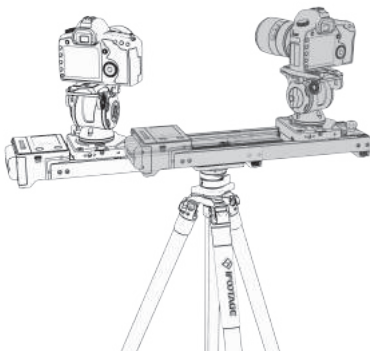
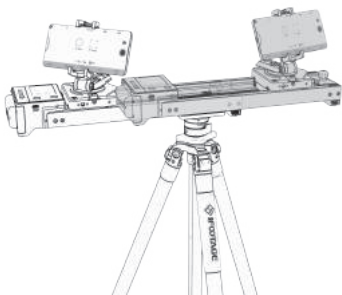
當置於平地上或桌面上拍攝時；不能讓軌道中間有凸起的異物；以免擋住了滑塊運動。



应用场景

■ 腳架拍攝（腳架拍攝行程雙倍）

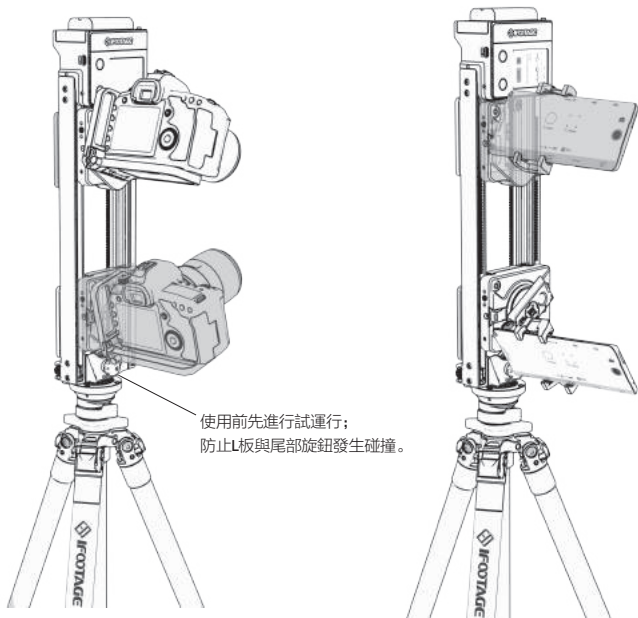
在腳架上裝有雲臺和相機拍攝時，盡可能將腳架三支腳跨度調大；防止導軌側翻。



应用场景

脚架豎拍

當使用相機進行豎拍時，先將Nano空載裝在腳架上，裝上電池待回零完成後；再裝相機。確保安全使用。



聲明

在任何情況下，印跡團隊及其相關聯繫人均不對因使用或誤用印跡的任何產品而產生或與之相關的任何直接、間接、懲罰性、偶然性、特殊後果性財產或生命損害而承擔責任。用戶或者任何其他人士使用本產品的風險由本人承擔。這不會影響您的法定權利。



如需下載iFootage Moco App，
請掃描二維碼進入網站進行下載。

了解更多操作模式，可直接登陸
網址(www.ifootage.cn)獲取
詳細的操作說明書。

生產商信息



生產者：印跡國際有限公司

英國設計中國制造

產地：中國

如果想了解更多資訊，請登陸www.ifootage.cn