

# BUSHING CURRENT TRANSFORMERS WITH MOUNTING FEET

\* Available in single or multi-core configuration of Metering and/or protection dimension 'c' is advised at the time of enquiry

Terminal Covers available as an option.

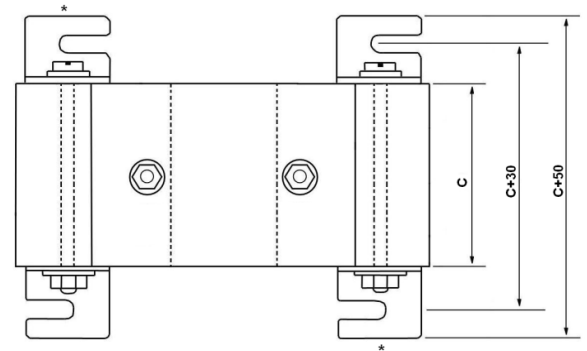
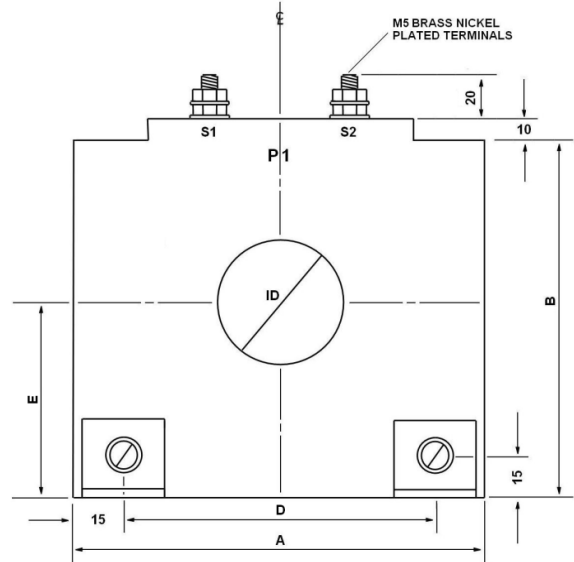
### MOUNTING:

- Brackets: 2 or 4 stainless steel brackets

### ORDERING NOMENCLATURE:

BCT TYPE/ID\_RATIO\_CLASS (\_=SPACE)

eg. BCT1/70 400/5 10P20F10



Type	A	B	C	D	E
BCT100/150	100	150	*	70	75
BCT120	120	120	*	90	60
BCT130	130	130	*	100	65
BCT140	140	140	*	110	70
BCT145	145	145	*	115	73
BCT160	160	160	*	130	80
BCT165 (BCT1)	165	165	*	135	83
BCT190	190	190	*	160	95
BCT200 (BCT2)	200	200	*	170	100
BCT220	220	220	*	190	110
BCT240	240	240	*	210	120
BCT270 (BCT3)	270	270	*	240	135
BCT300	300	300	*	270	150
BCT310	310	310	*	280	155
BCT360	360	360	*	330	180
BCT400	400	400	*	370	200
BCT440	440	440	*	410	220
BCT500	500	500	*	470	250

NB: I.D. IS A VARIABLE TO BE NOMINATED BY CUSTOMERS

\*2 Bracket option



*Let your need be our challenge*

**Stemar Electrical Products Pty. Ltd.**



Phone: +61 2 9771 2100 Fax: +61 2 9774 5585 Email: sales@stemar.com.au Web: www.stemar.com.au  
243 Milperra Rd, P.O. Box 538 REVESBY, NSW 2212 Australia

©COPYRIGHT This drawing/s is not to be copied nor the information hereon divulged to any third party or used for the making of apparatus without the written permission of Stemar Electrical Products Pty Ltd