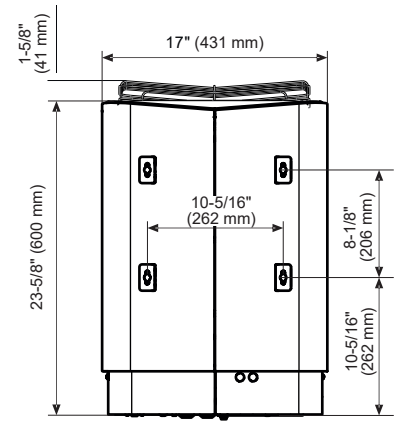
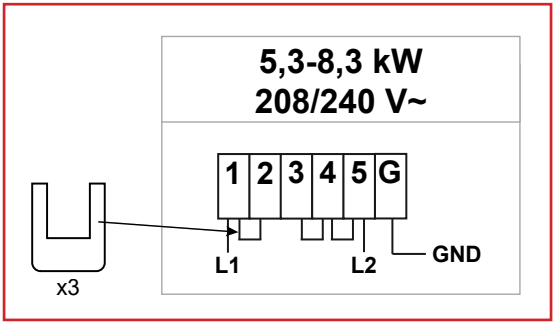
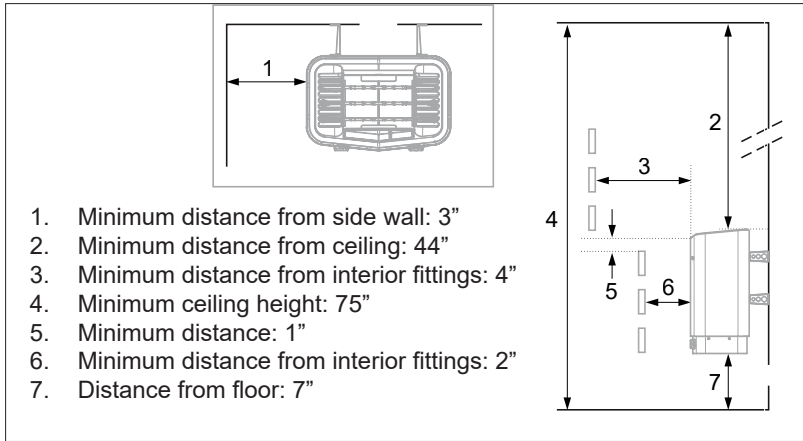


Sense Sport
Quick Start Tip Sheet
This page to be used in conjunction with Tylo Full Manual included

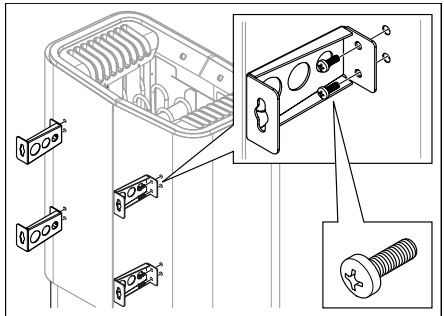
CONNECTION / WIRING DIAGRAM

Model	208 V 1 Phase			240 V 1 Phase		
	Amperage Amps	Output kW	Wire Size AWG	Amperage Amps	Output kW	Wire Size AWG
Sense Sport - U 5	17	3.5	10	20	4.7	10
Sense Sport - U 7	26	5.3	10	30	7.0	8
Sense Sport - U 8	30	6.3	8	35	8.3	8

Note: Heating elements do not change for voltage changes. The heater output will change based on the voltage applied to heater. Most North American homes are 240v.



Note: If all the screws on the back are unscrewed simultaneously, the back plate may come loose. For this reason, attach the four brackets to the heater one at a time.



Unscrew the first two screws on the back of heater and one of the four brackets into place.
Repeat the procedure until all of the brackets are fitted.

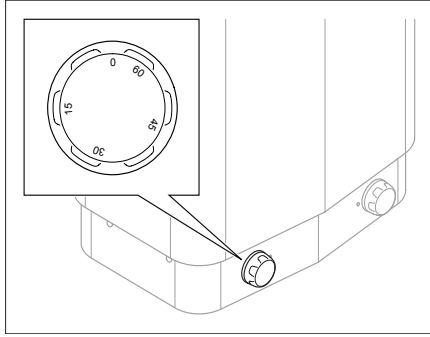


Figure 2: Thermostat for setting temperature

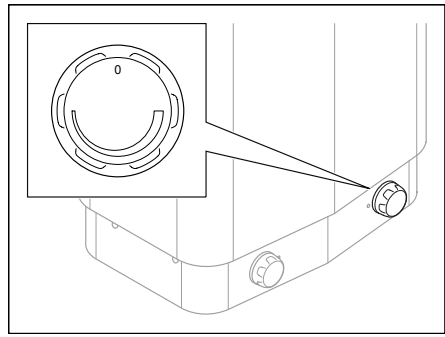


Figure 3: Time for setting time duration

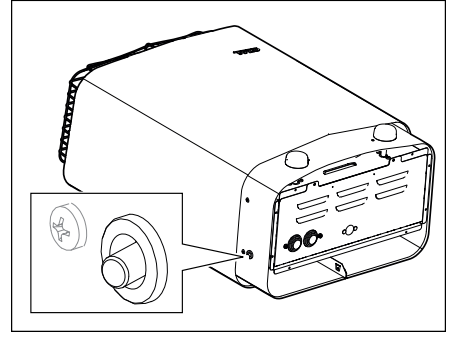


Figure 9: Resetting the temperature cut-out

CAUTION: Heater junction box can be a tight fit. Make sure no bare wires come in to contact with circuit board, on/off switch or any other heater components. Extra care should be taken when closing junction box cover to ensure wires are not being pushed out of position.

Some prefer or are required to make a weather-proof connection. If so, you may use Liquid tight conduit for the wire exposed within the sauna. For more flexibility, you can install weather proof junction box inside sauna below heater and use flexible SOOW wire to connect to heater.