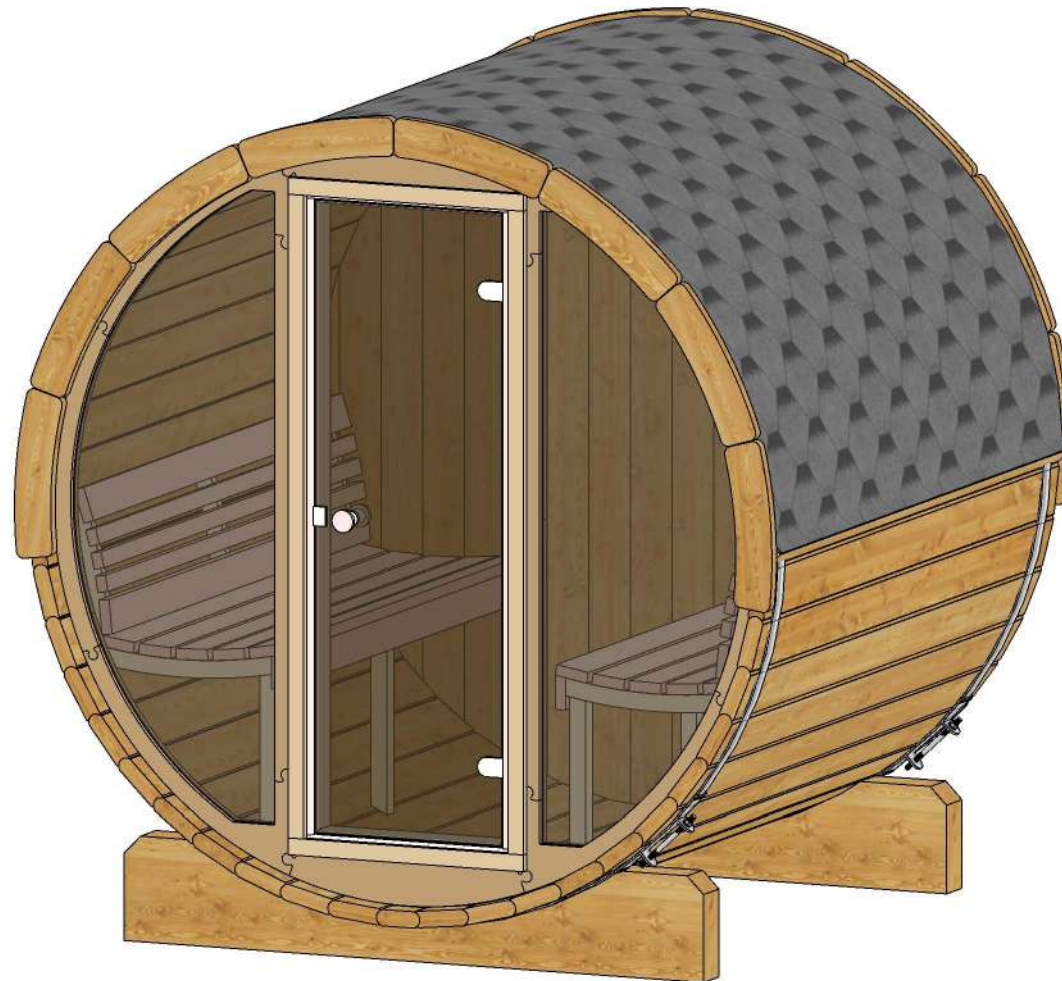




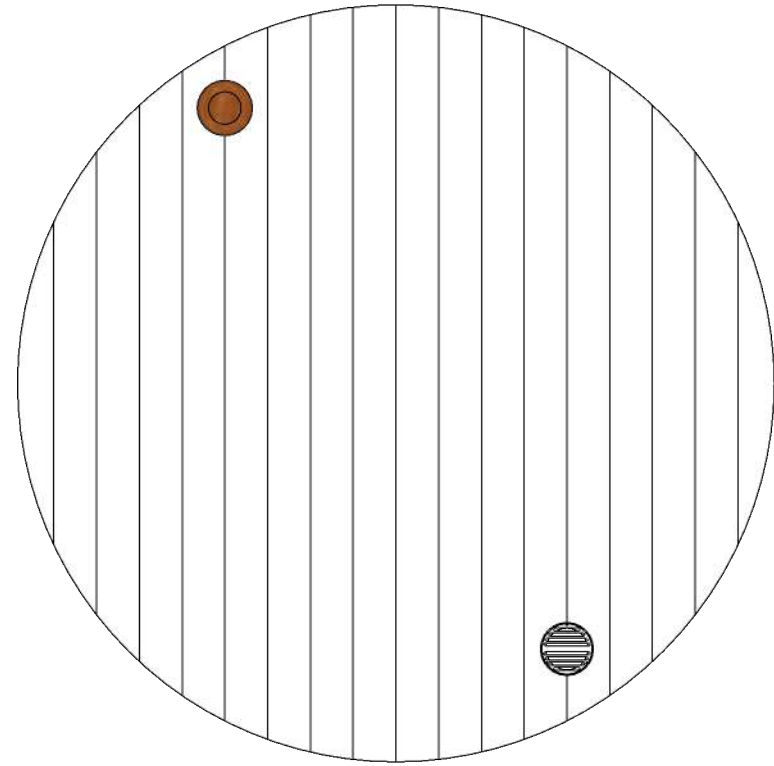
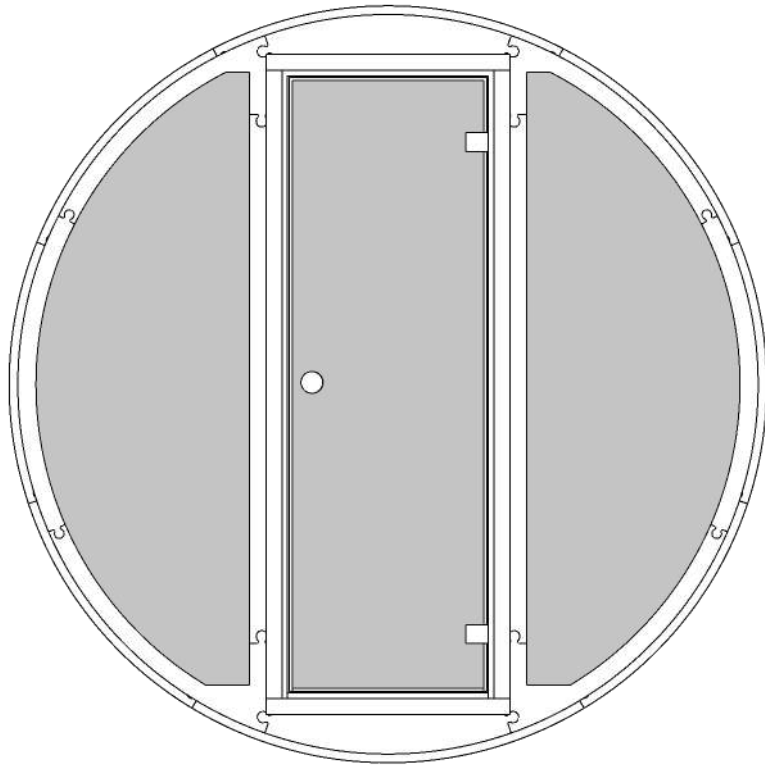
Ergo-Series E8G Barrel Sauna  
Full Glass Front 87D" x 81H"



**Note: Please read manual before construction**

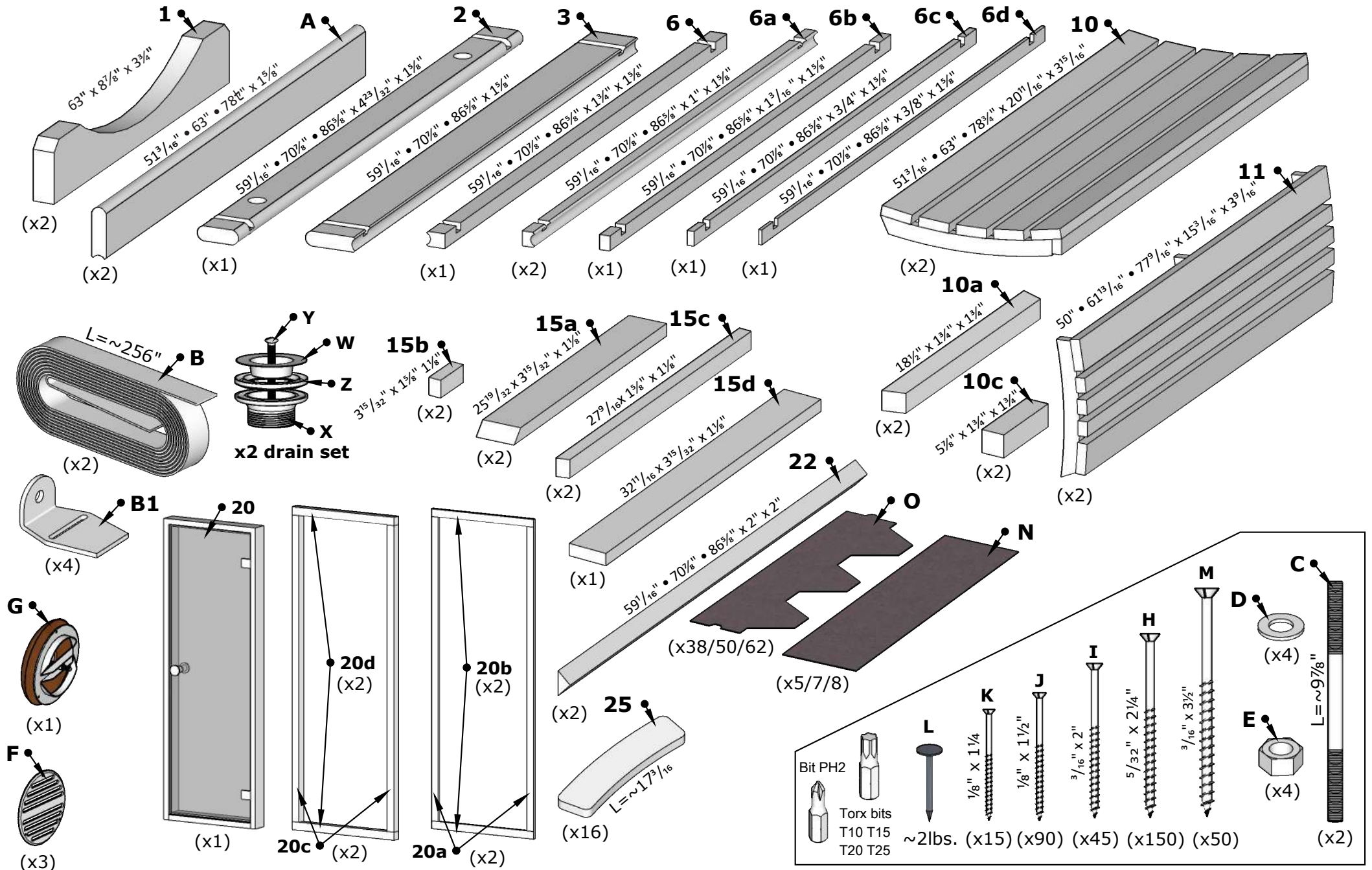
Rev 4/2023

# Front & Back Walls

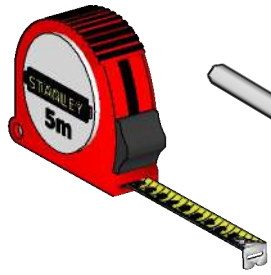


# E8G Barrel Sauna 87D" x 81H"

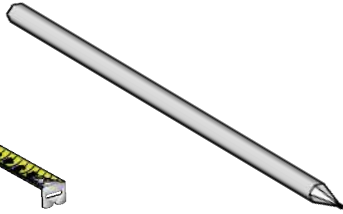
## Details list.



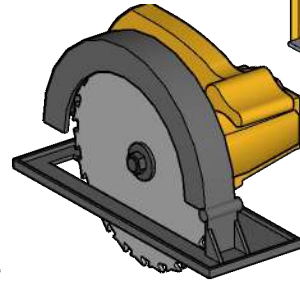
# Tools needed



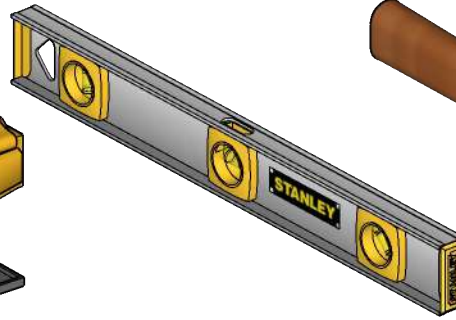
Measuring tape



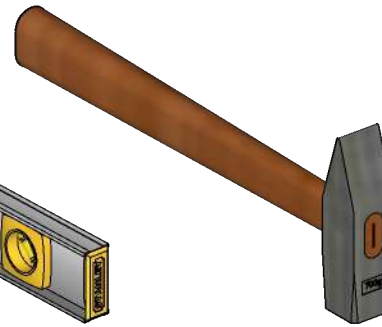
Marker pen



Circular saw



Water level



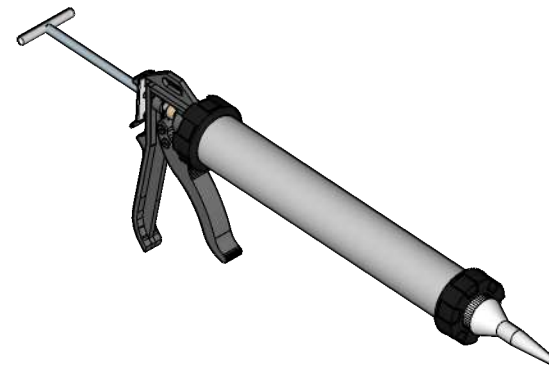
Hammer



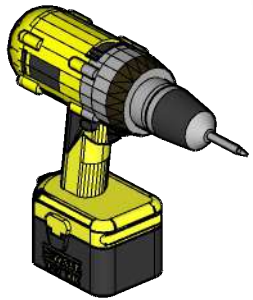
Extra hands



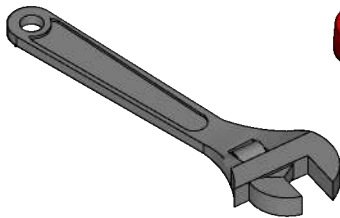
Ratchet strap



Silicone gun  
(Only glass-wall models)



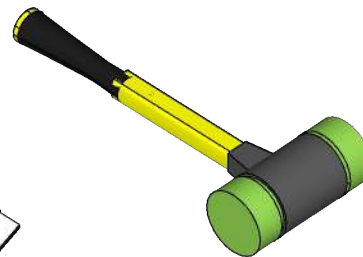
Drill



Crescent wrench



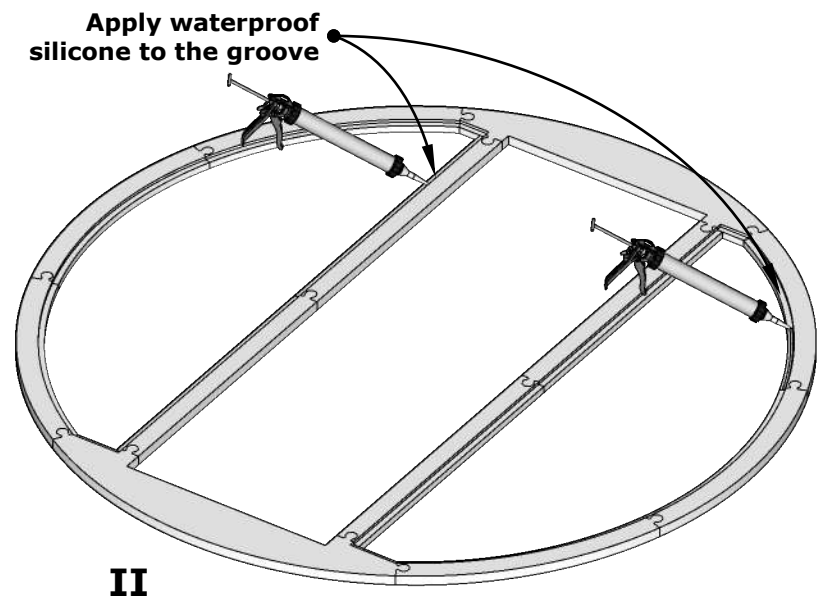
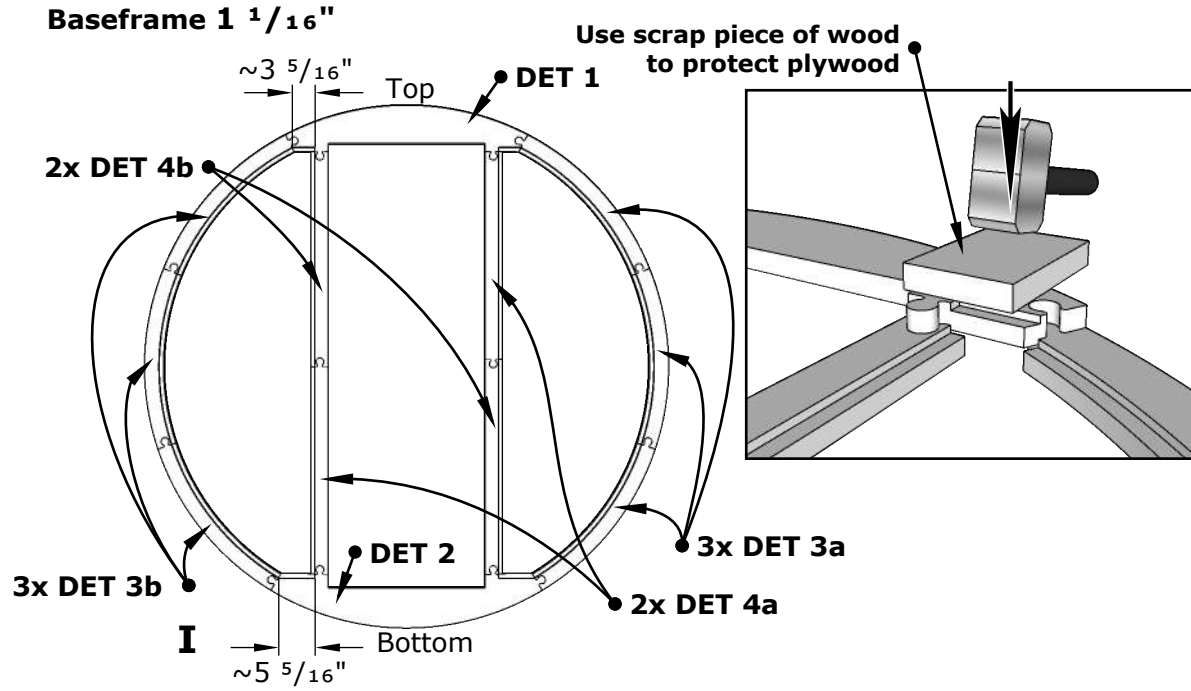
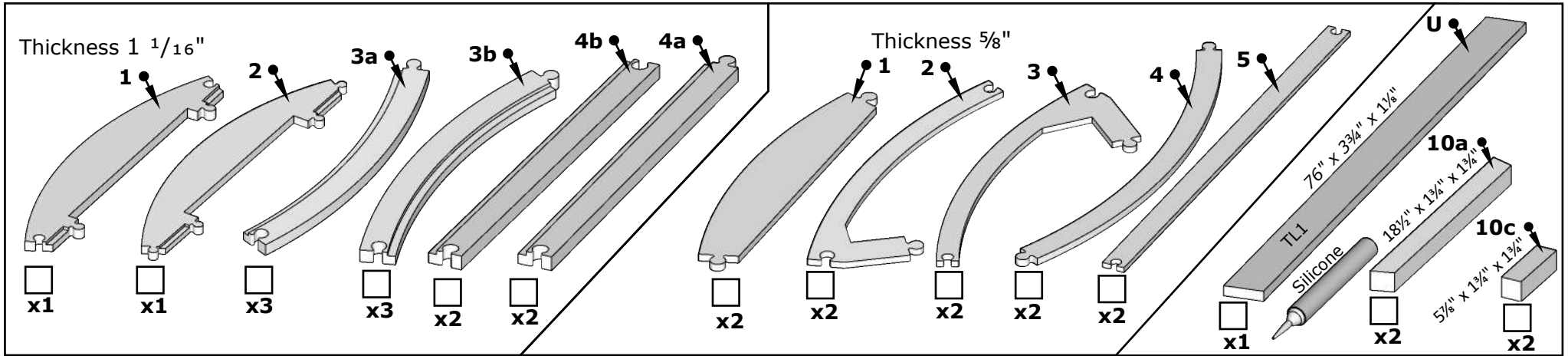
Utility knife



Rubber mallet

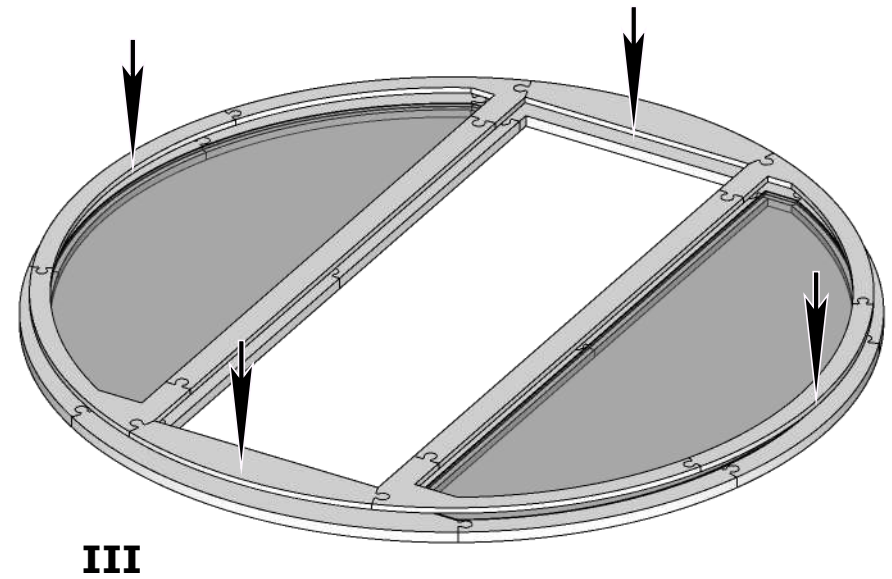
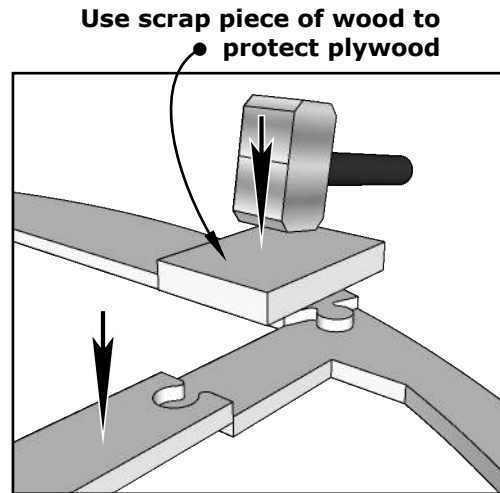
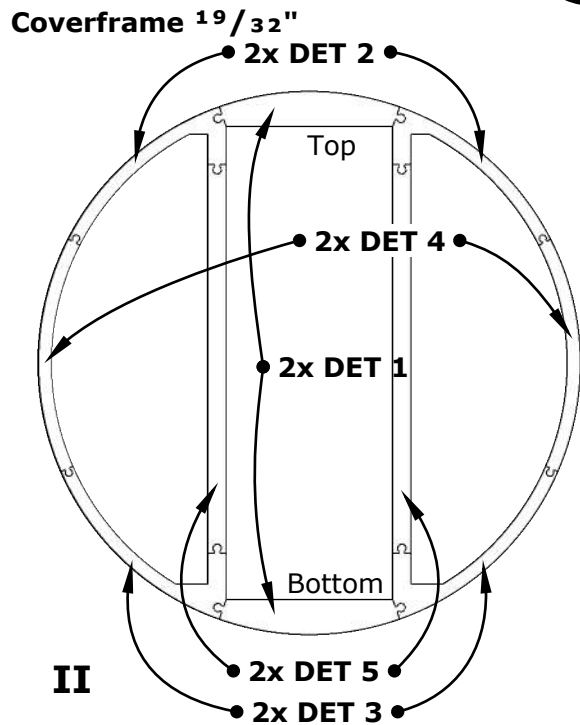
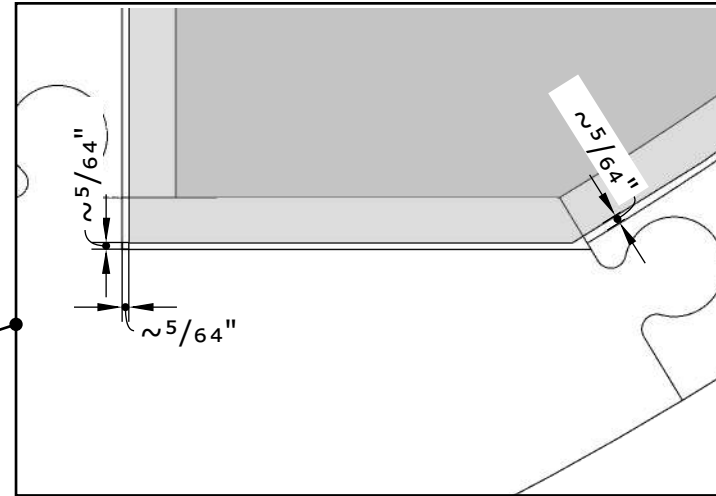
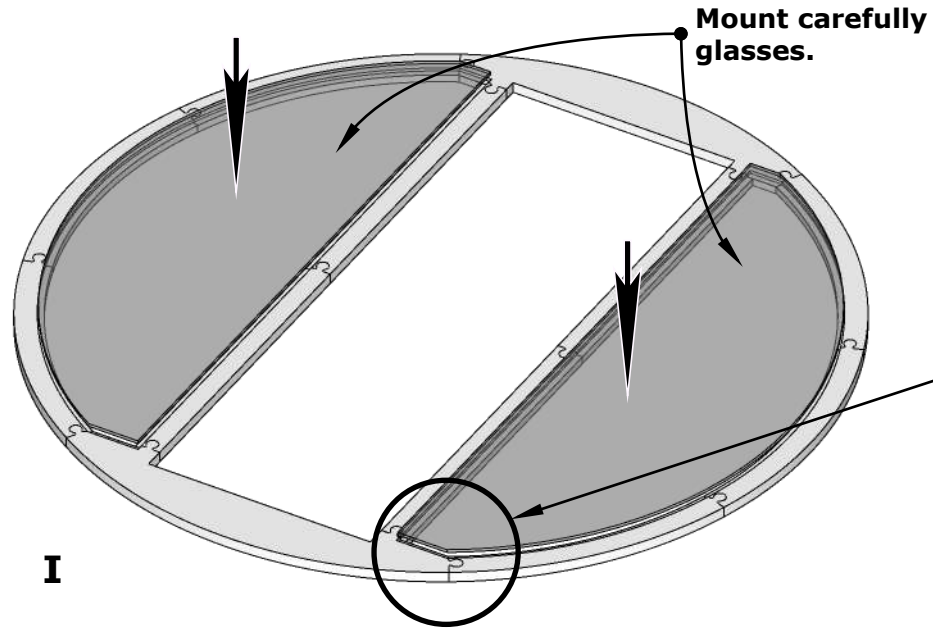


# Front glass wall installation

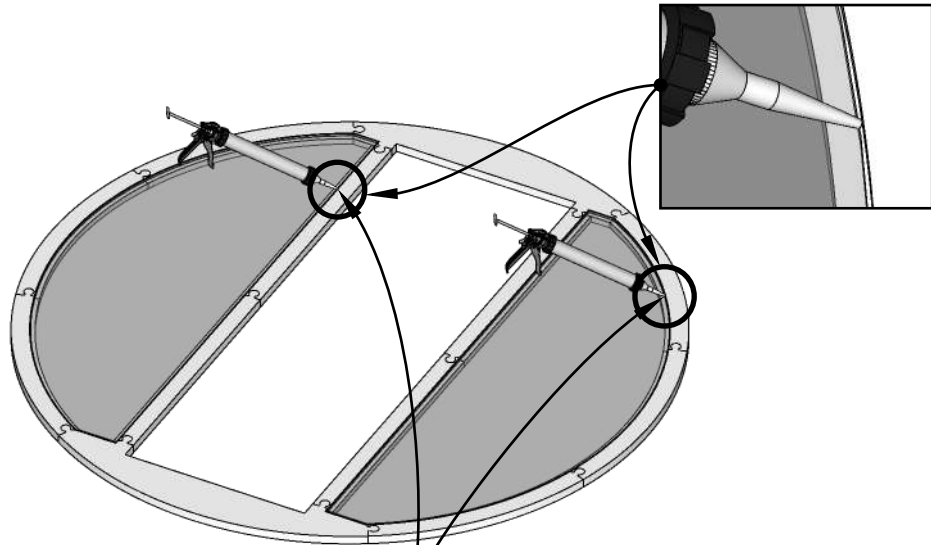


1.

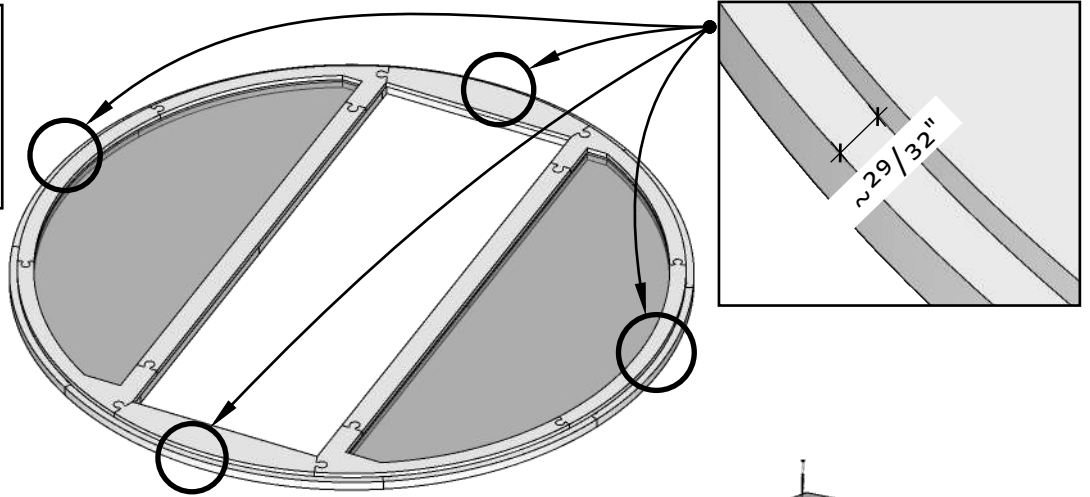
# Front glass wall installation



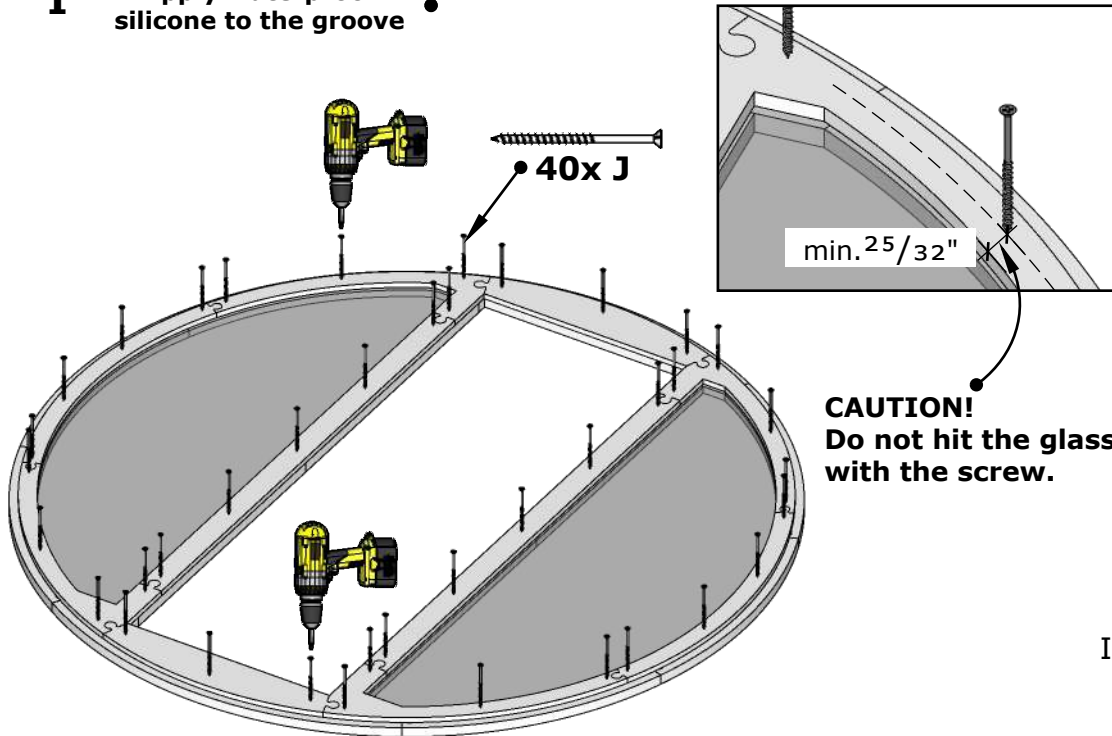
# Front glass wall installation



**I** Apply waterproof silicone to the groove

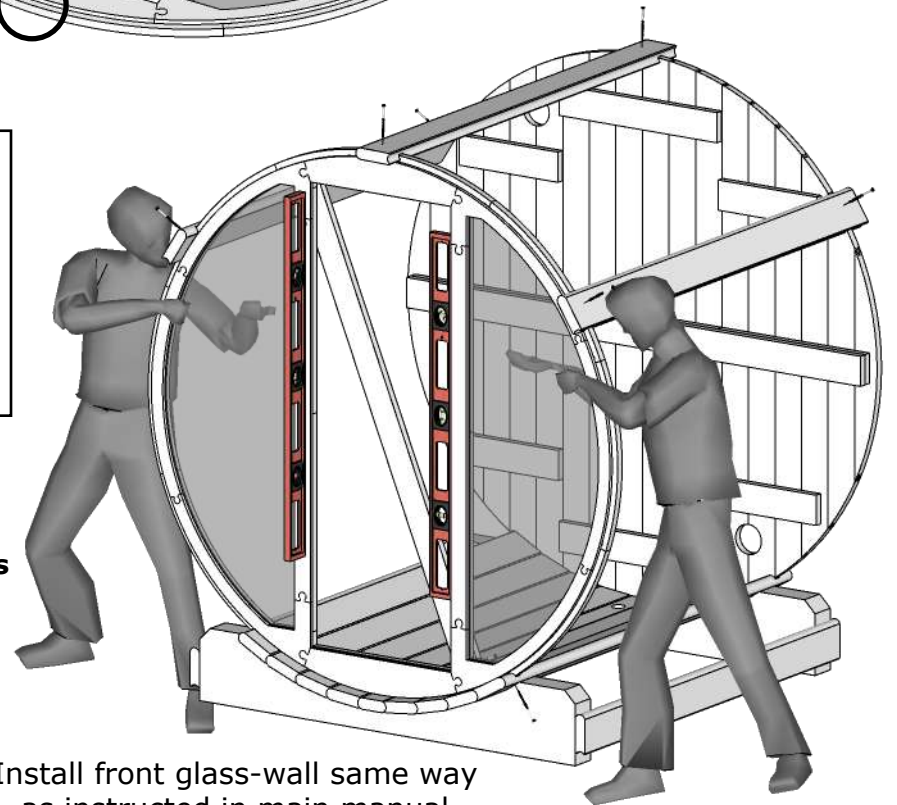


**II**



**III**

**CAUTION!**  
Do not hit the glass with the screw.

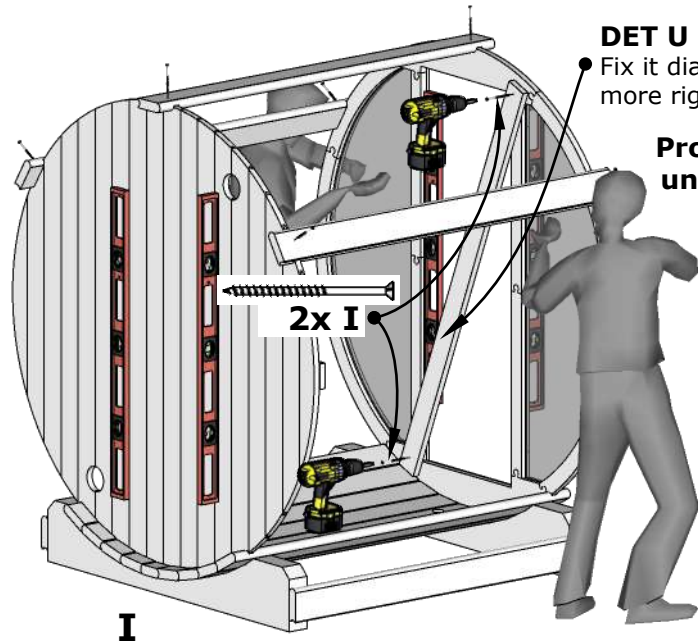


Install front glass-wall same way as instructed in main manual.

**IV**

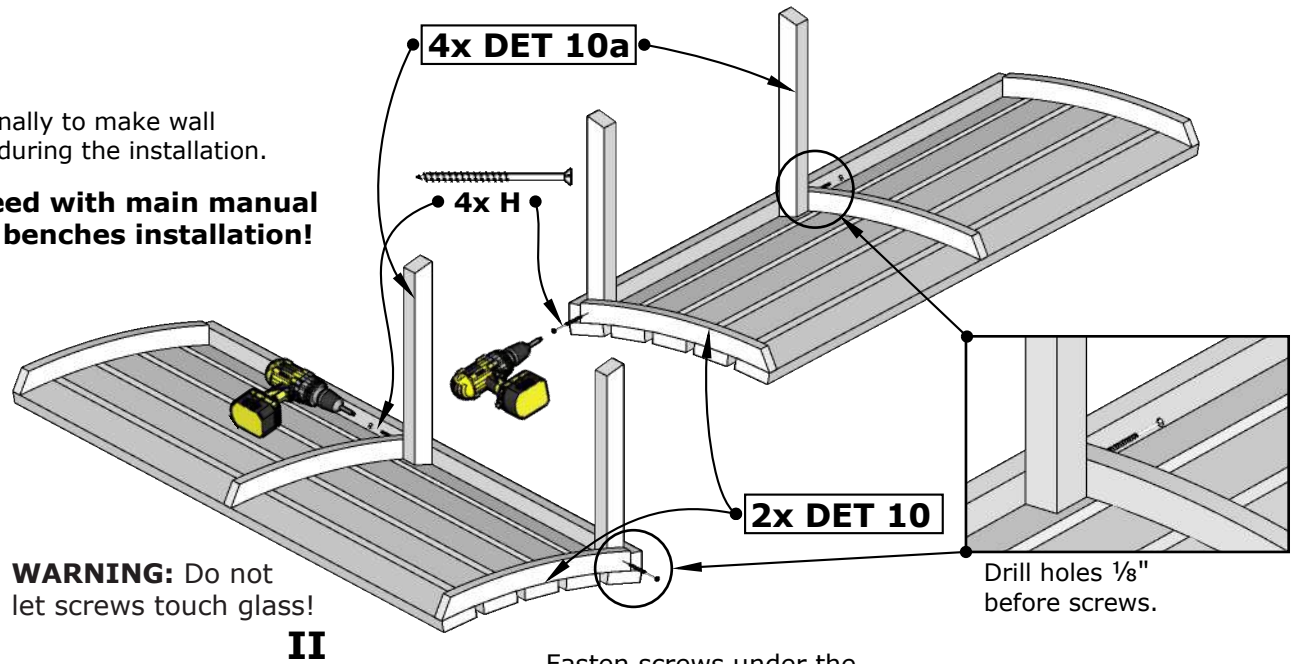


# Front glass wall installation

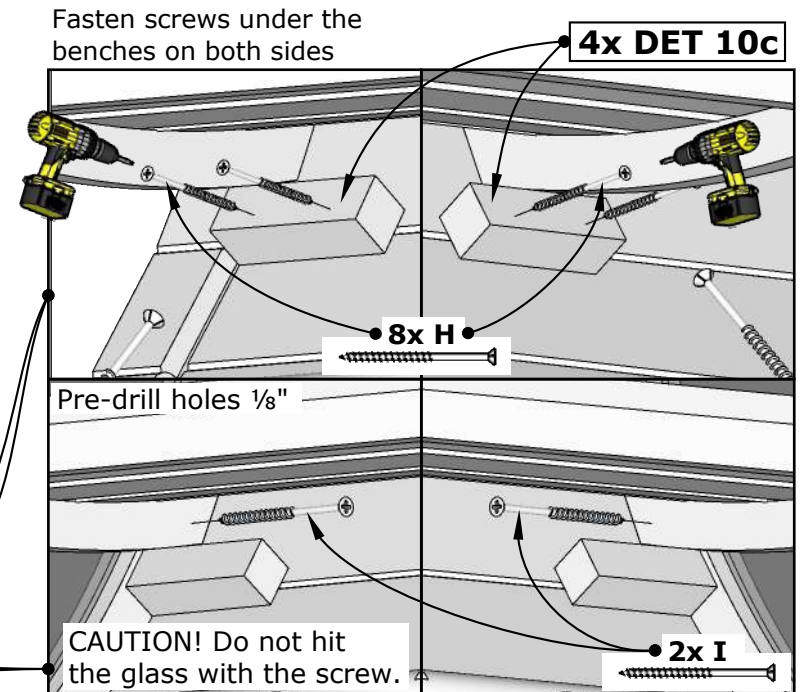
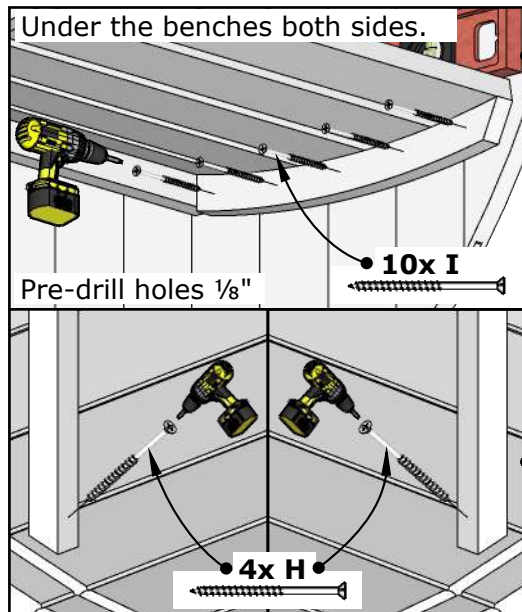


**DET U**  
 Fix it diagonally to make wall more rigid during the installation.

**Proceed with main manual until benches installation!**

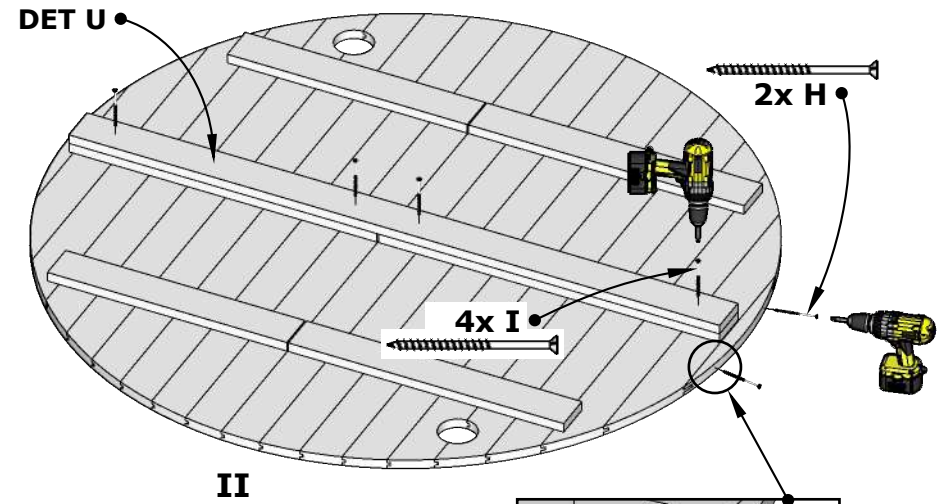
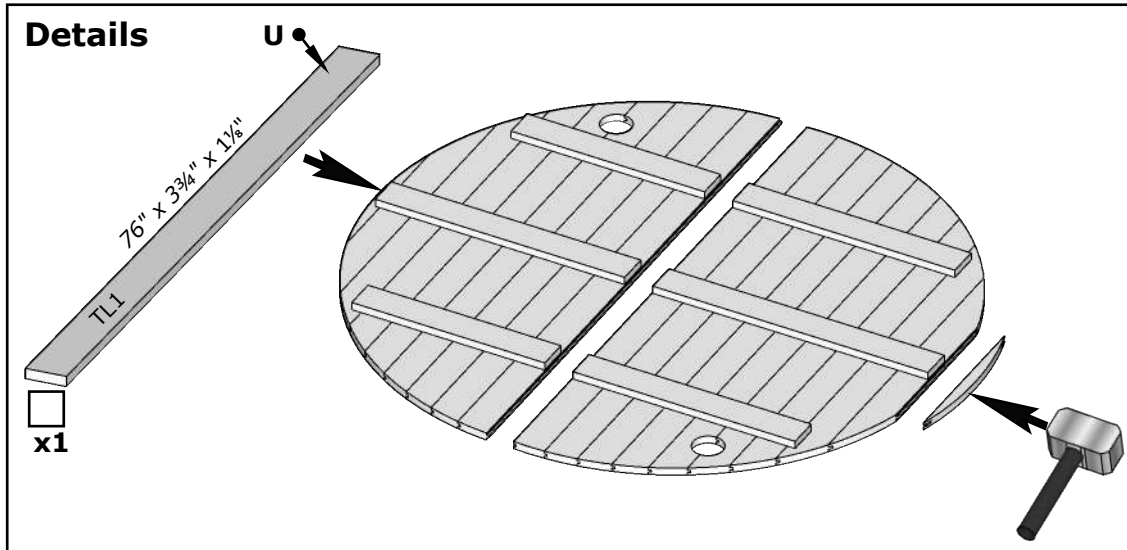


Drill holes 1/8" before screws.

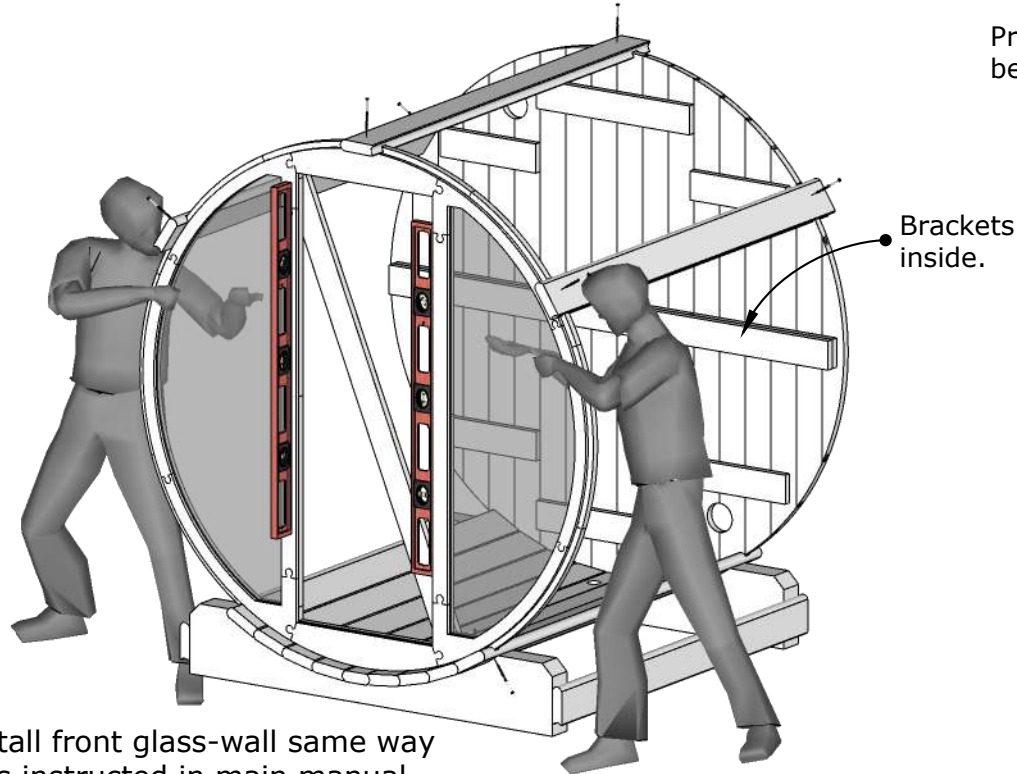
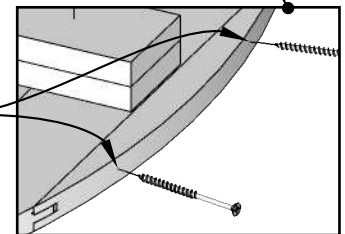




# Wooden back wall assembly



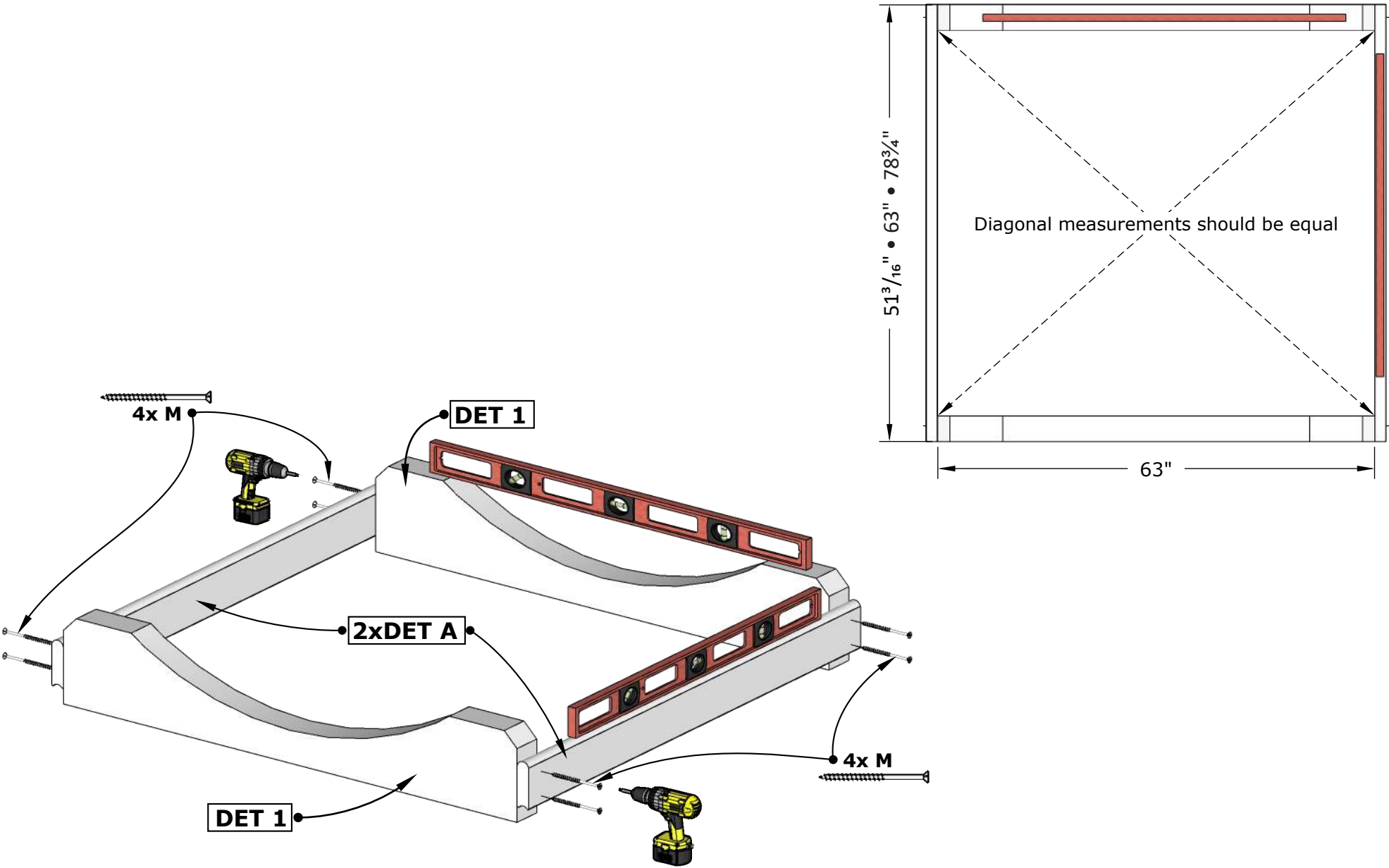
Pre-drill holes 5/32" before screws.



Install front glass-wall same way as instructed in main manual.

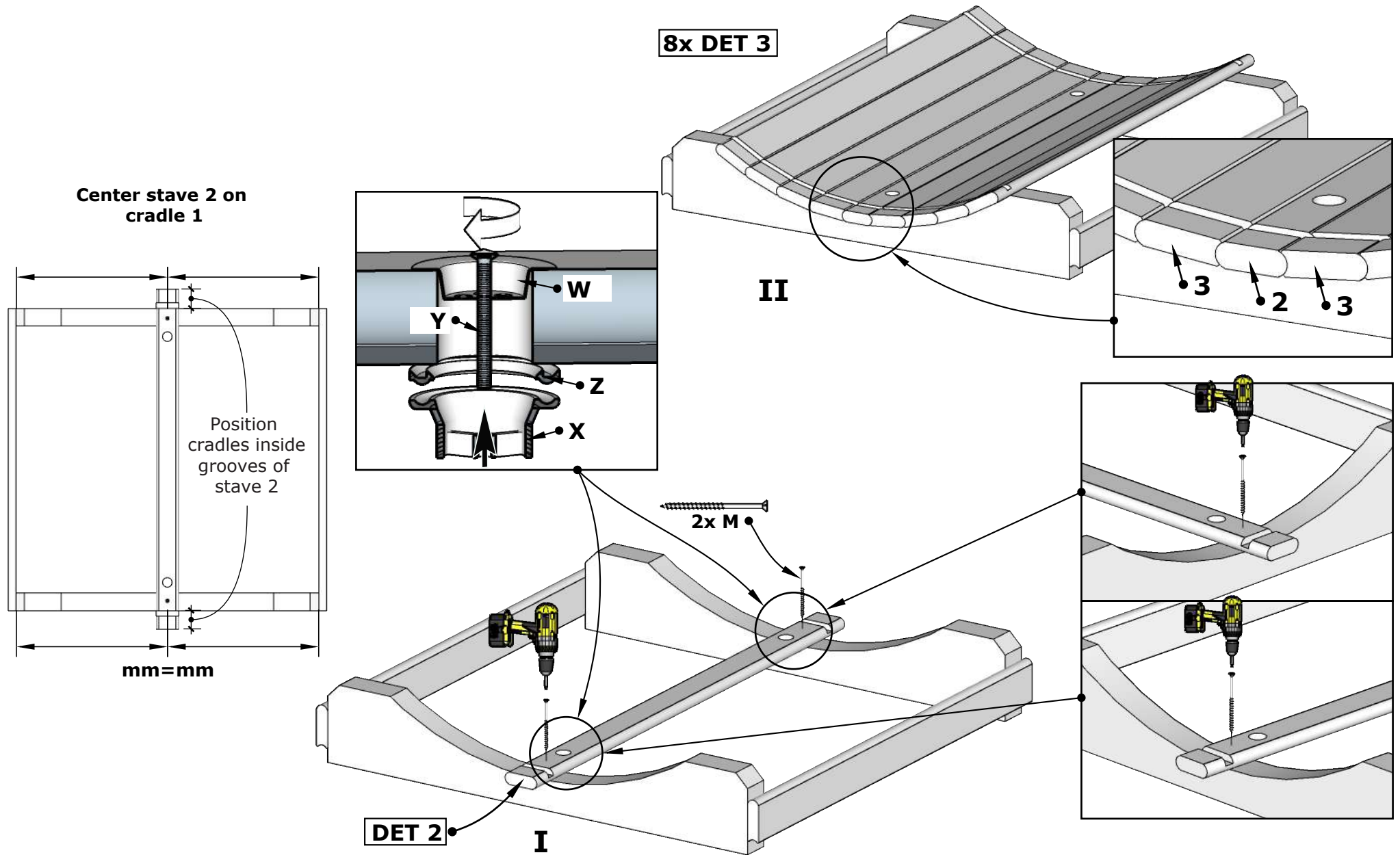
## III

# E8G Barrel Sauna 87D" x 81H"



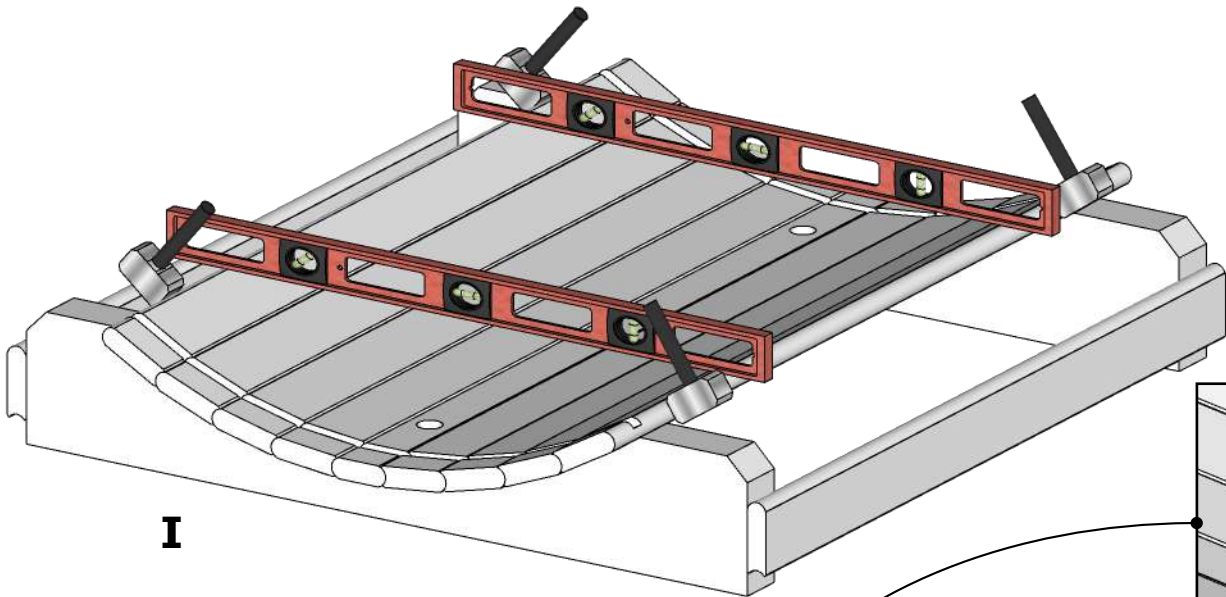
1.

# E8G Barrel Sauna 87D" x 81H"

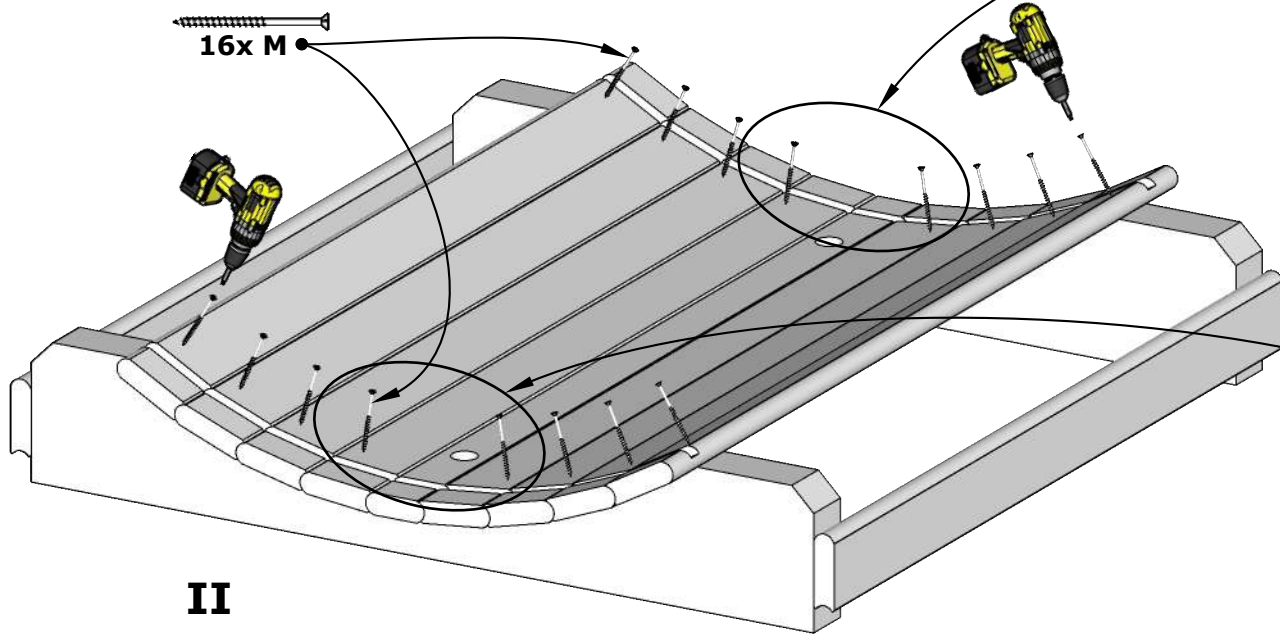




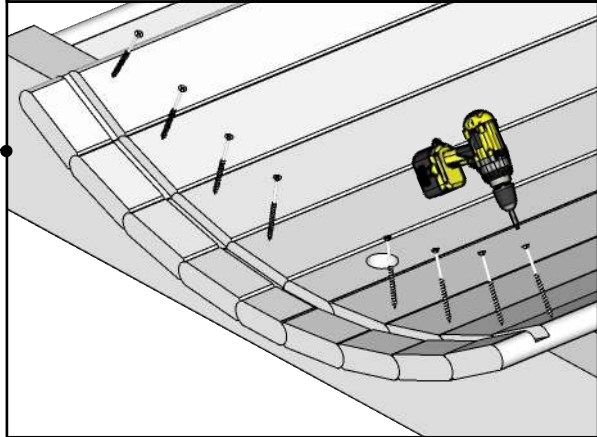
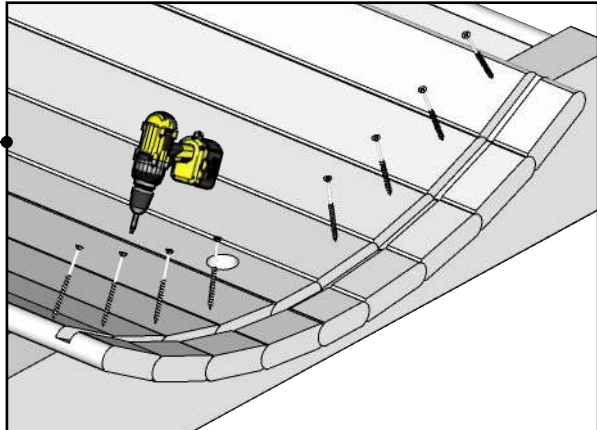
**E8G Barrel Sauna 87D" x 81H"**



**I**

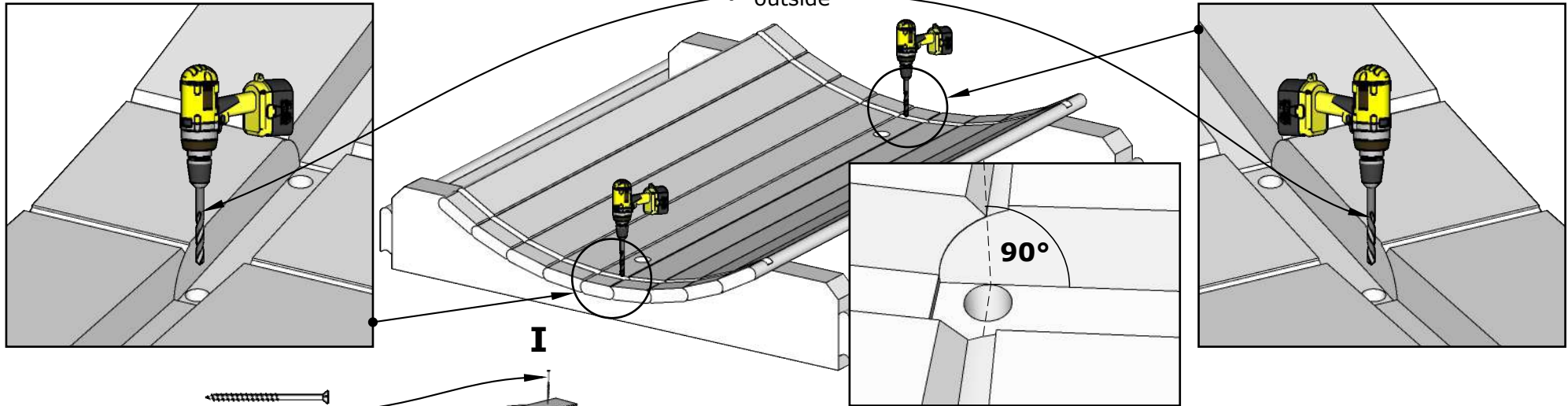


**II**



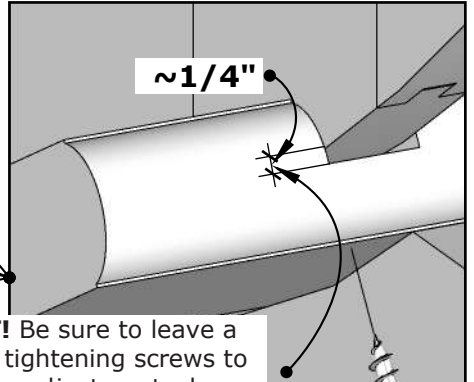
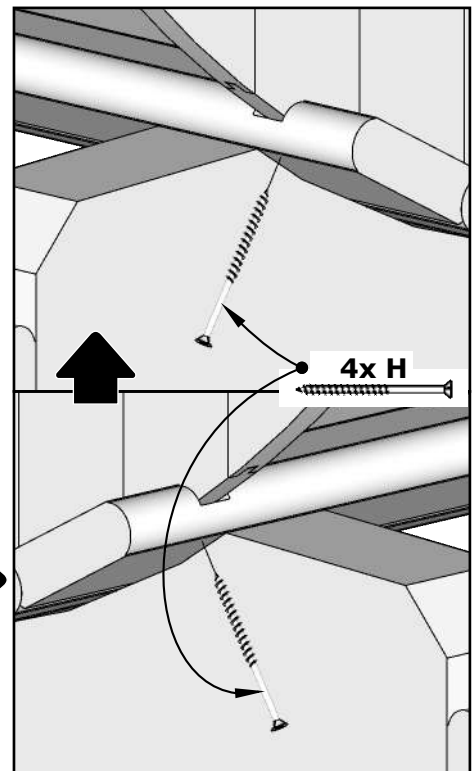
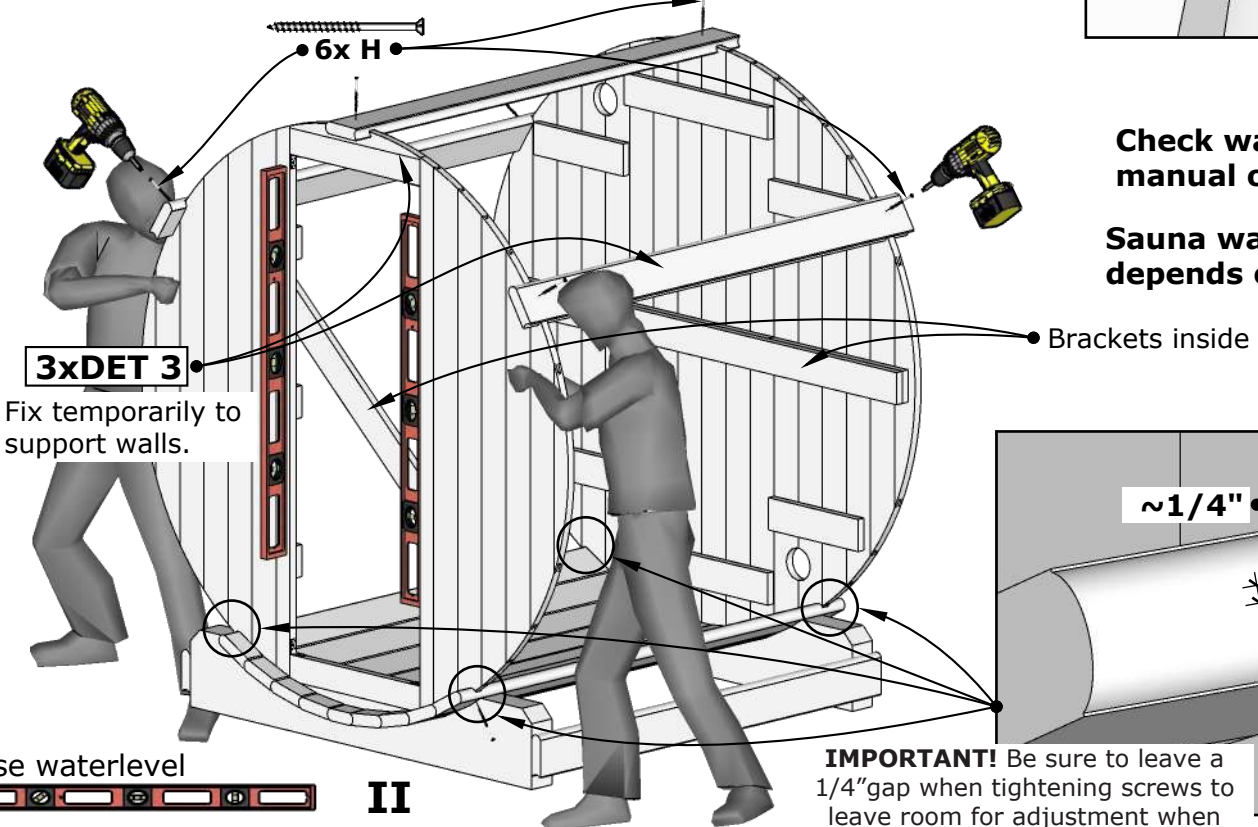
# E8G Barrel Sauna 87D" x 81H"

Drill 4 holes  $\varnothing 1/2"$   
through DET 2  
outside



Check walls installation  
manual on extra pages!

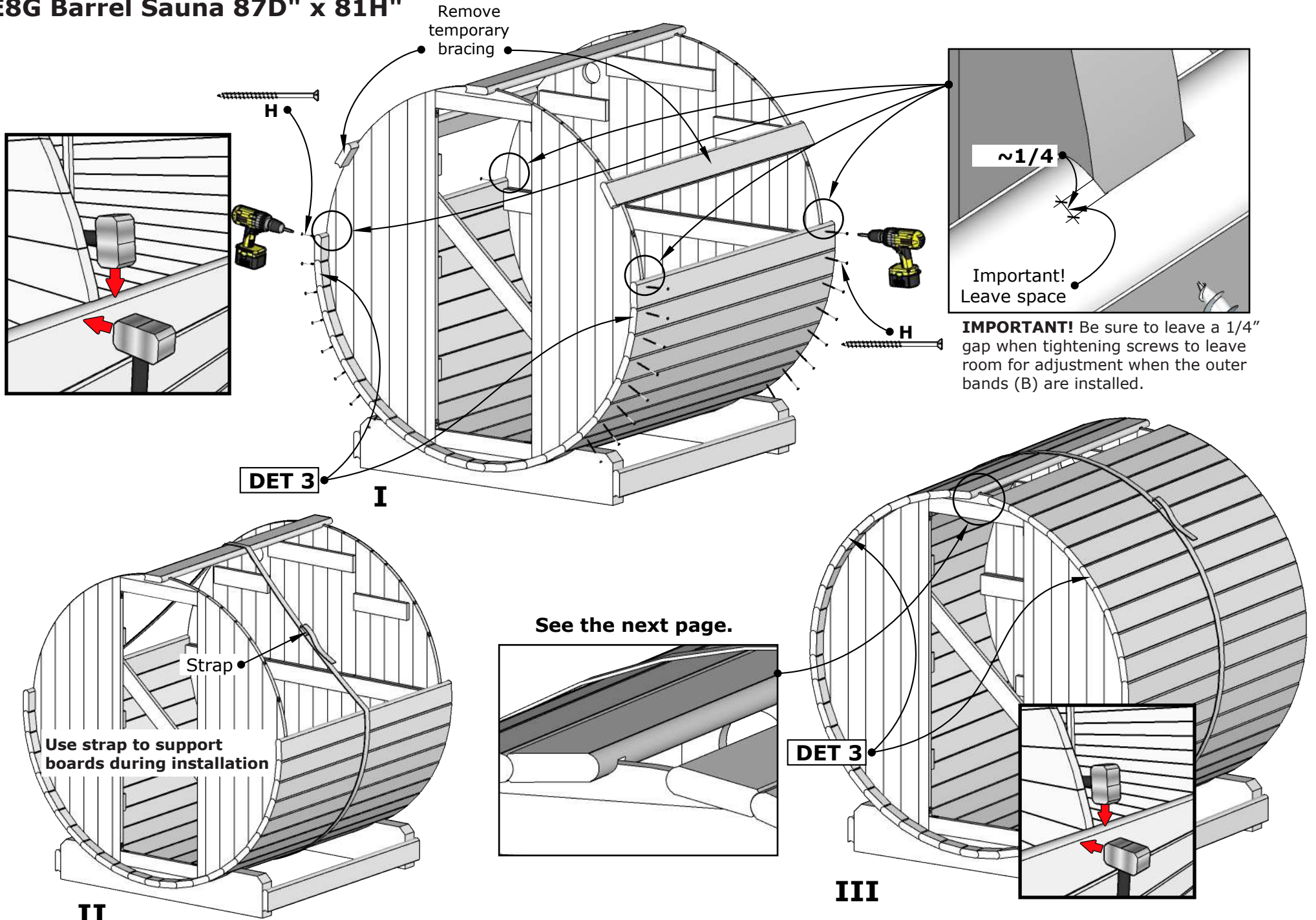
Sauna wall configuration  
depends on Your model!



**IMPORTANT!** Be sure to leave a  
1/4" gap when tightening screws to  
leave room for adjustment when  
the outer bands (B) are installed.

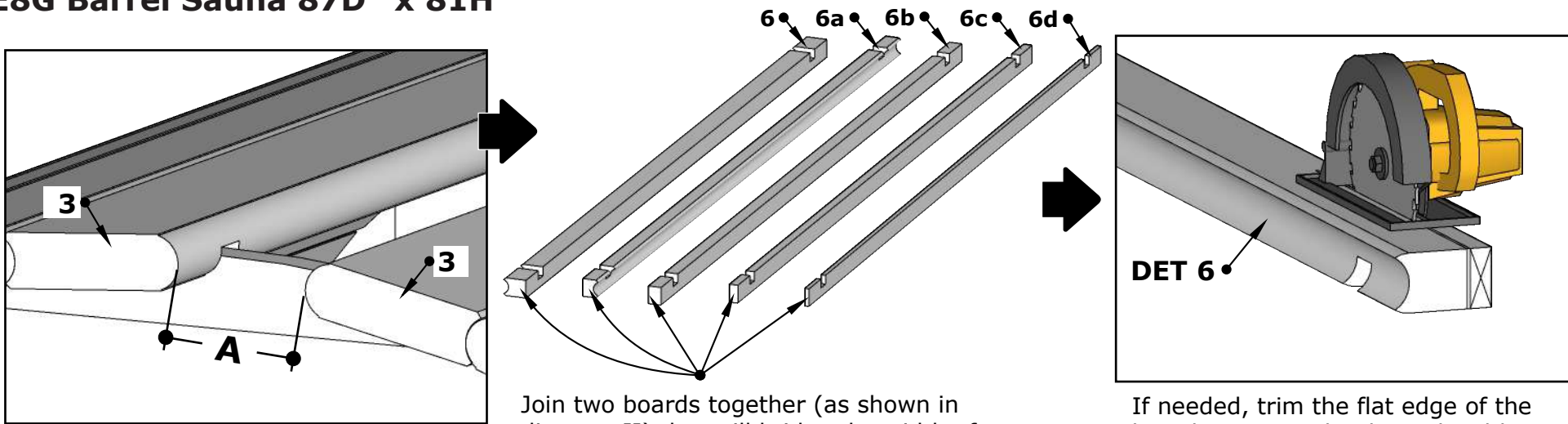


# E8G Barrel Sauna 87D" x 81H"





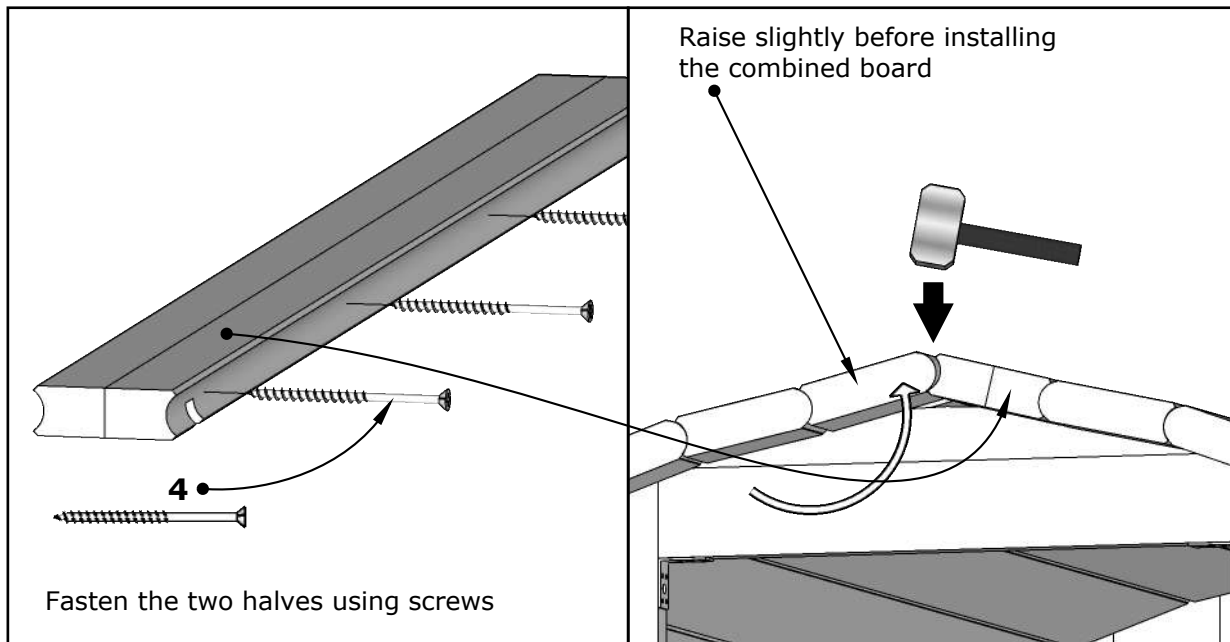
# E8G Barrel Sauna 87D" x 81H"



**I**

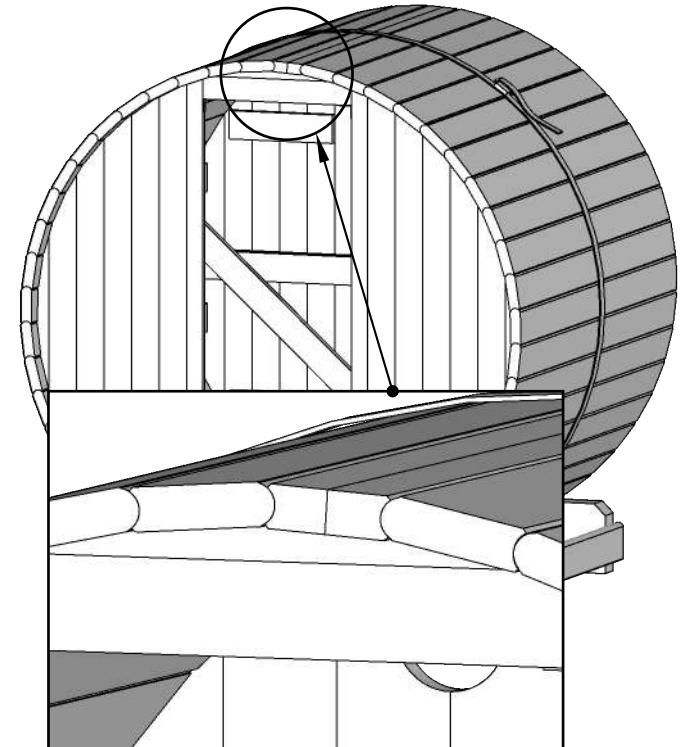
Join two boards together (as shown in diagram II) that will bridge the width of the "A" gap. It is recommended that the combined boards are approximately 1/4" wider than the gap.

If needed, trim the flat edge of the board to create the desired width.



Fasten the two halves using screws

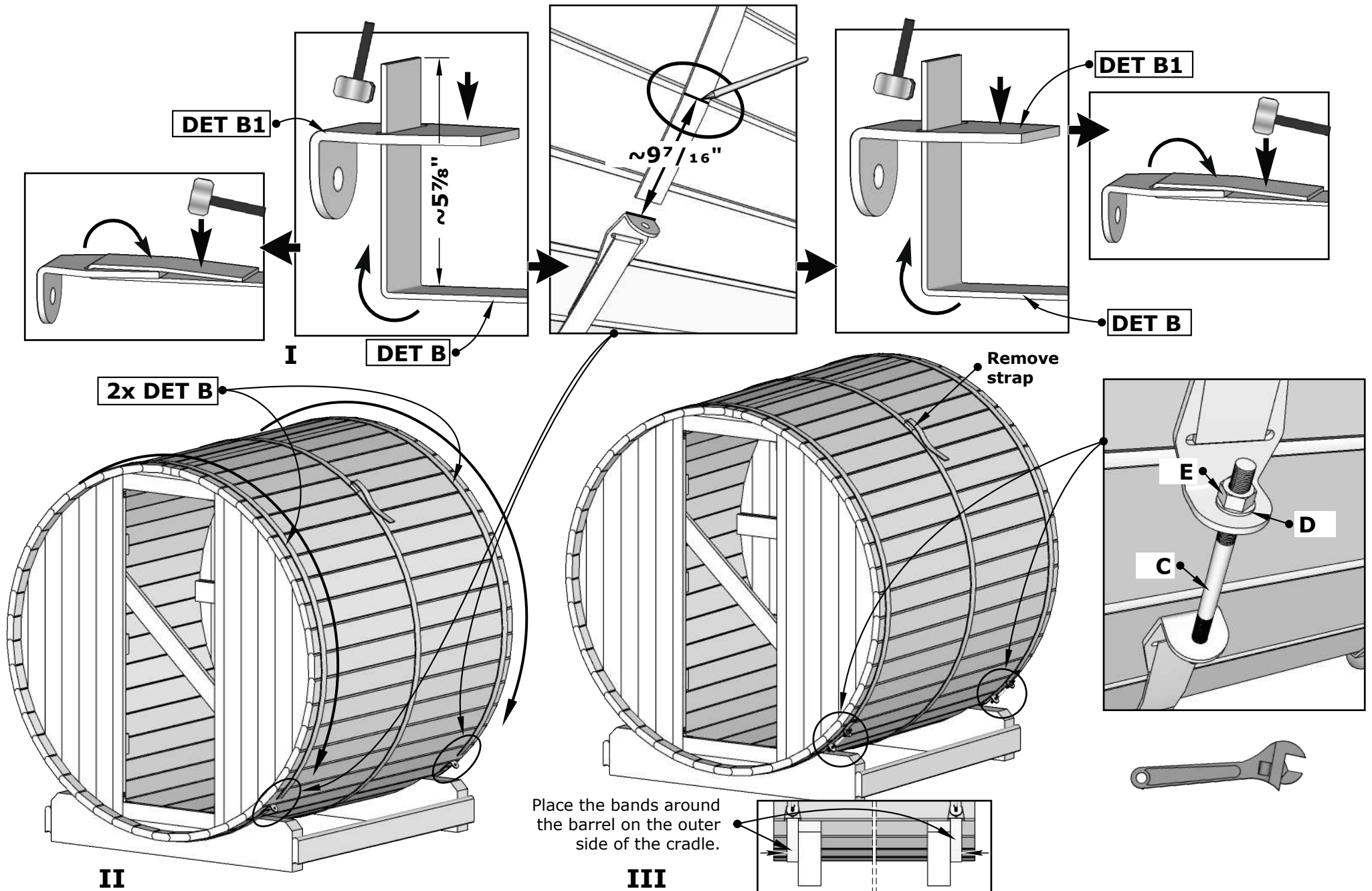
Raise slightly before installing the combined board



**III**

**II**

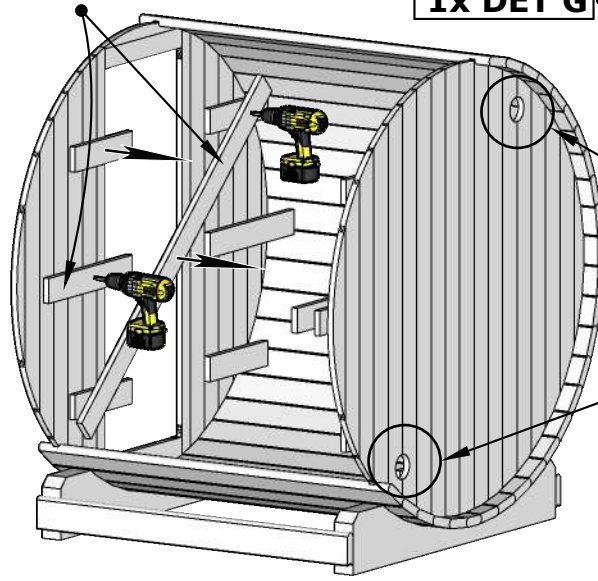
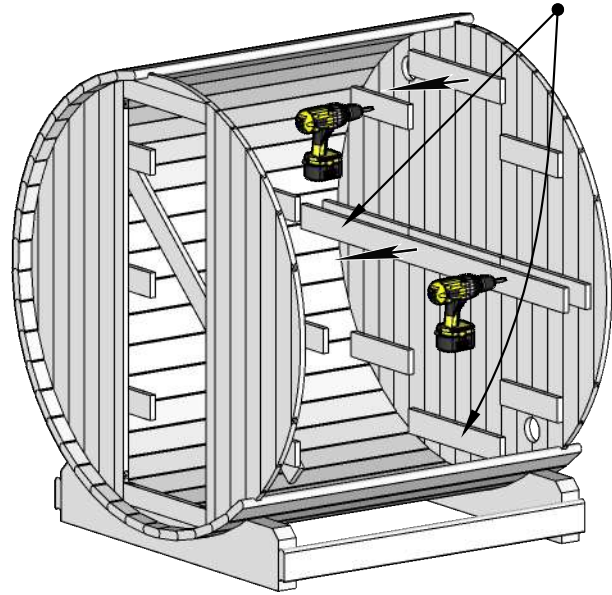
# E8G Barrel Sauna 87D" x 81H"



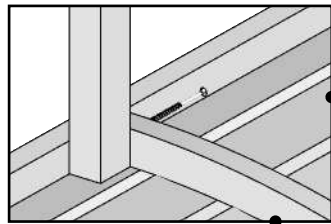
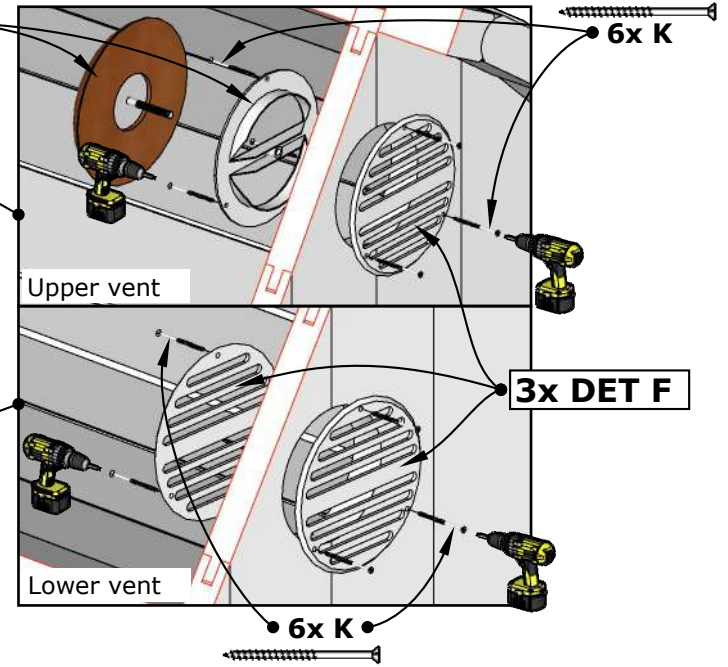


# E8G Barrel Sauna 87D" x 81H"

Remove all temporary braces



1x DET G

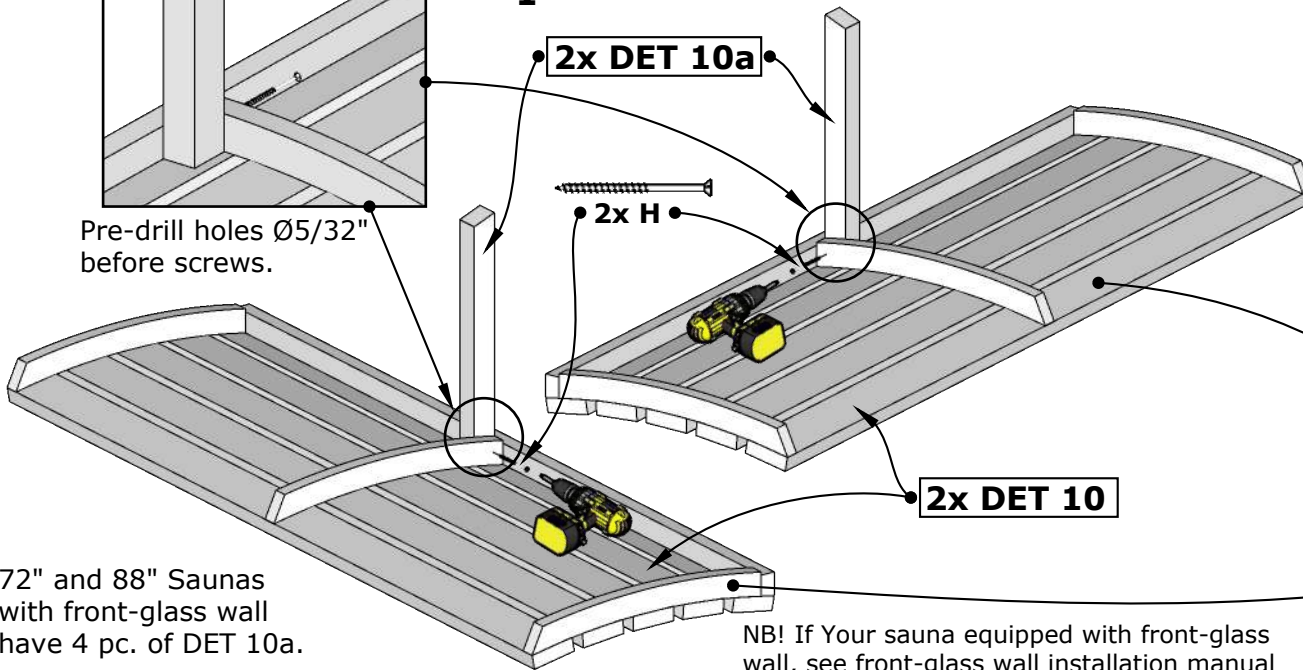


Pre-drill holes Ø5/32" before screws.

I

2x DET 10a

2x H

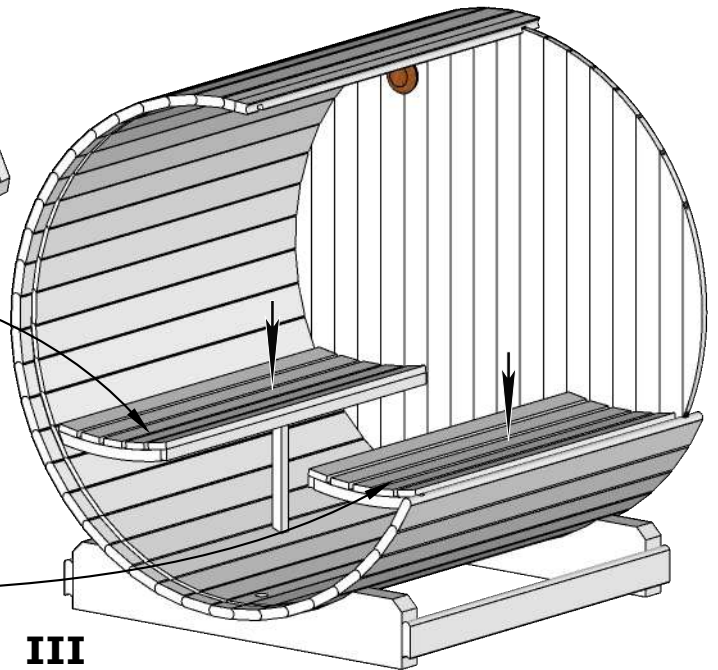


2x DET 10

72" and 88" Saunas with front-glass wall have 4 pc. of DET 10a.

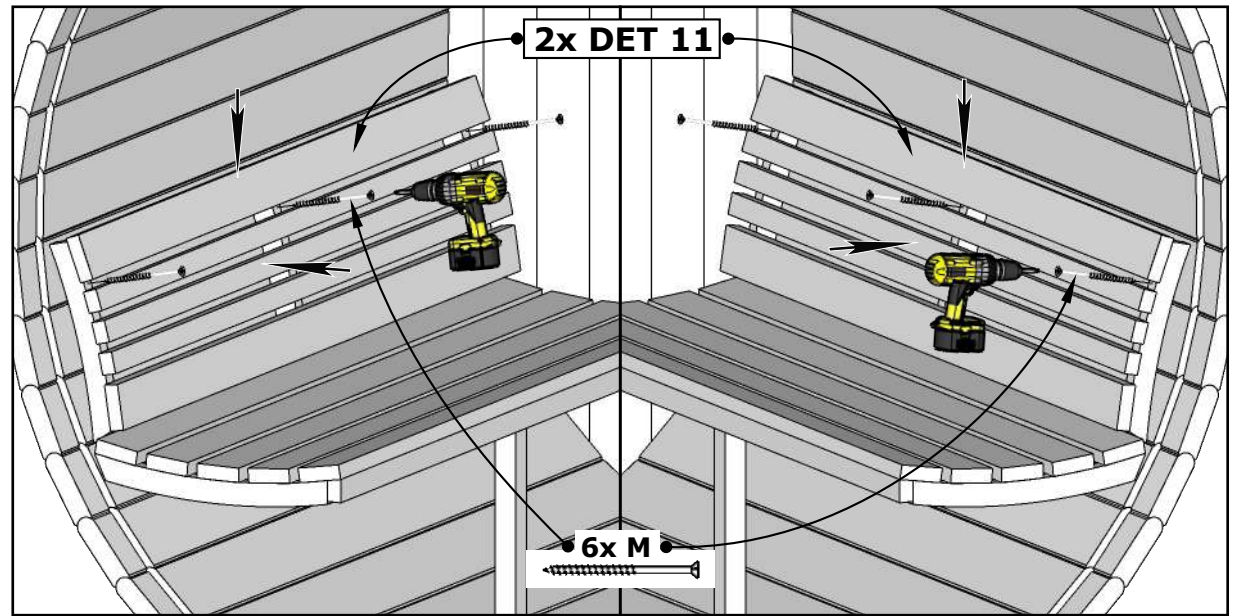
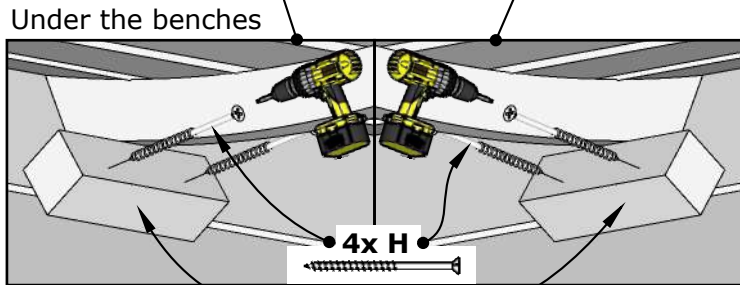
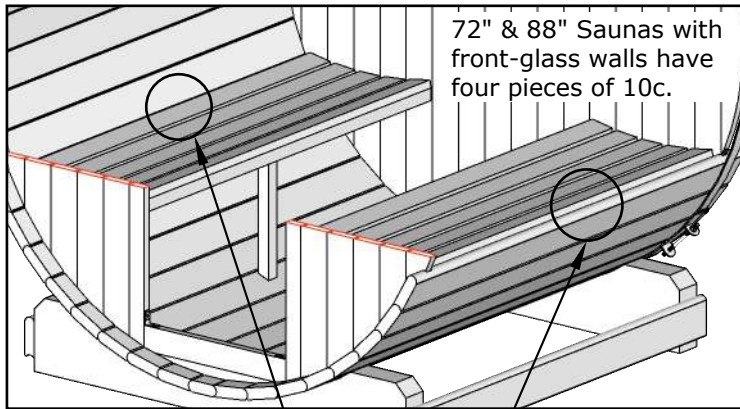
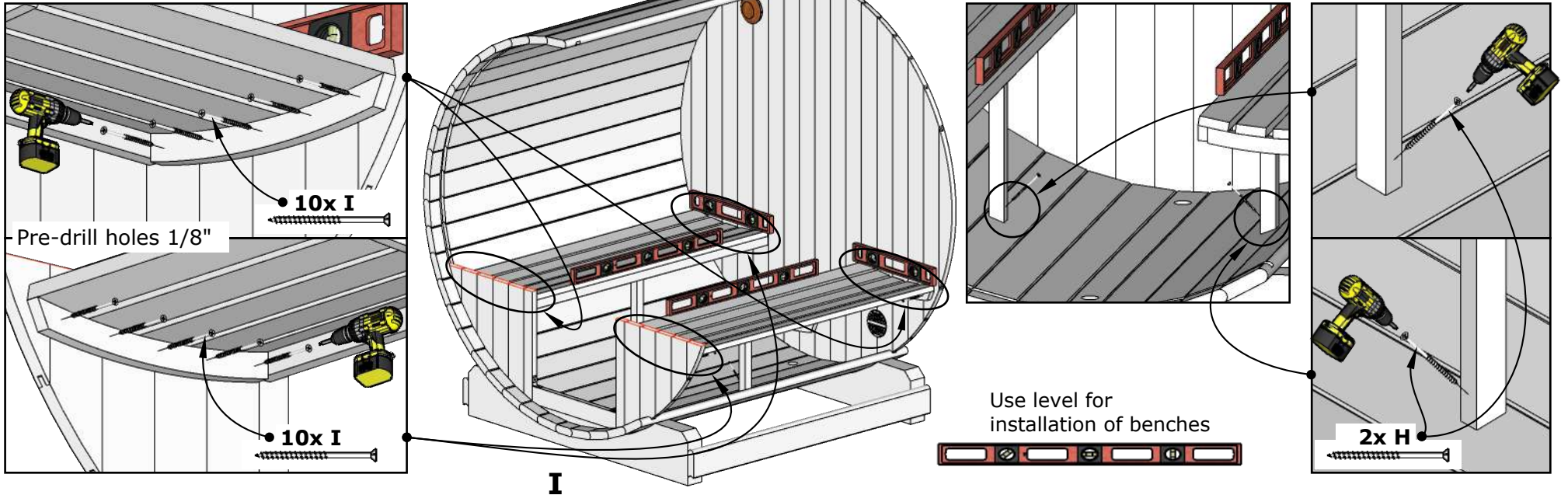
NB! If Your sauna equipped with front-glass wall, see front-glass wall installation manual for proper benches installation.

III

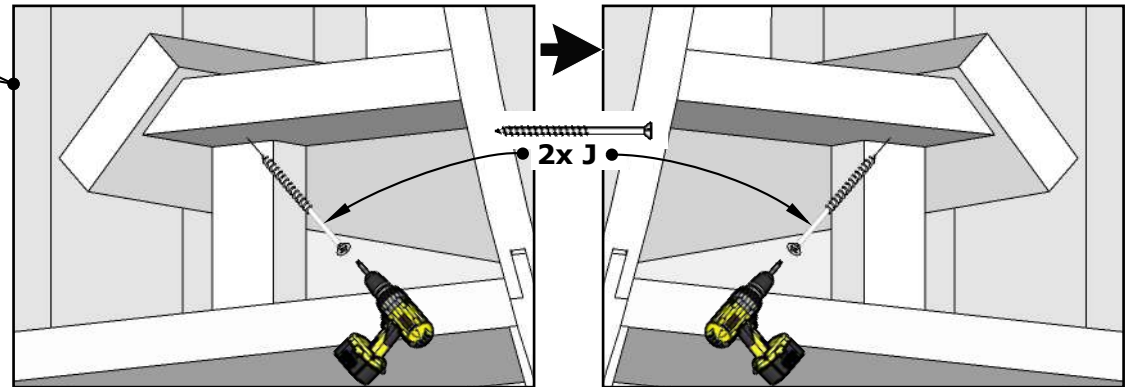
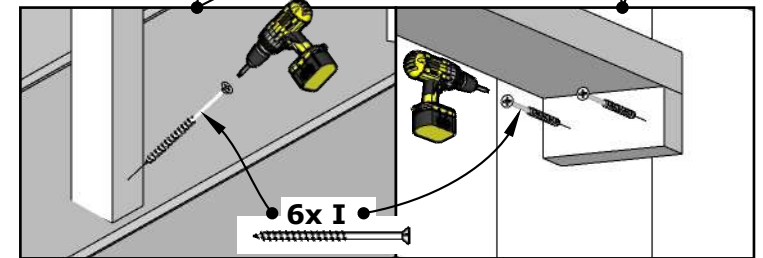
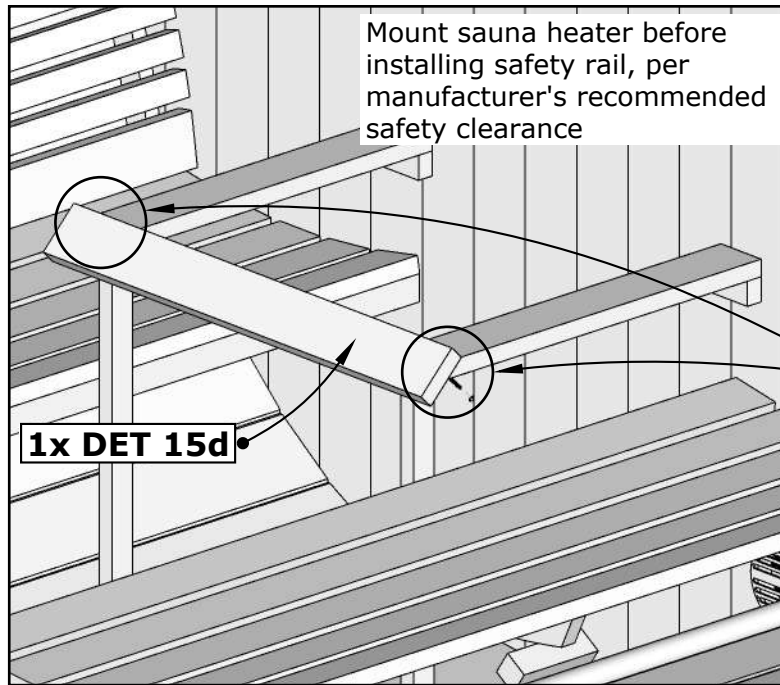
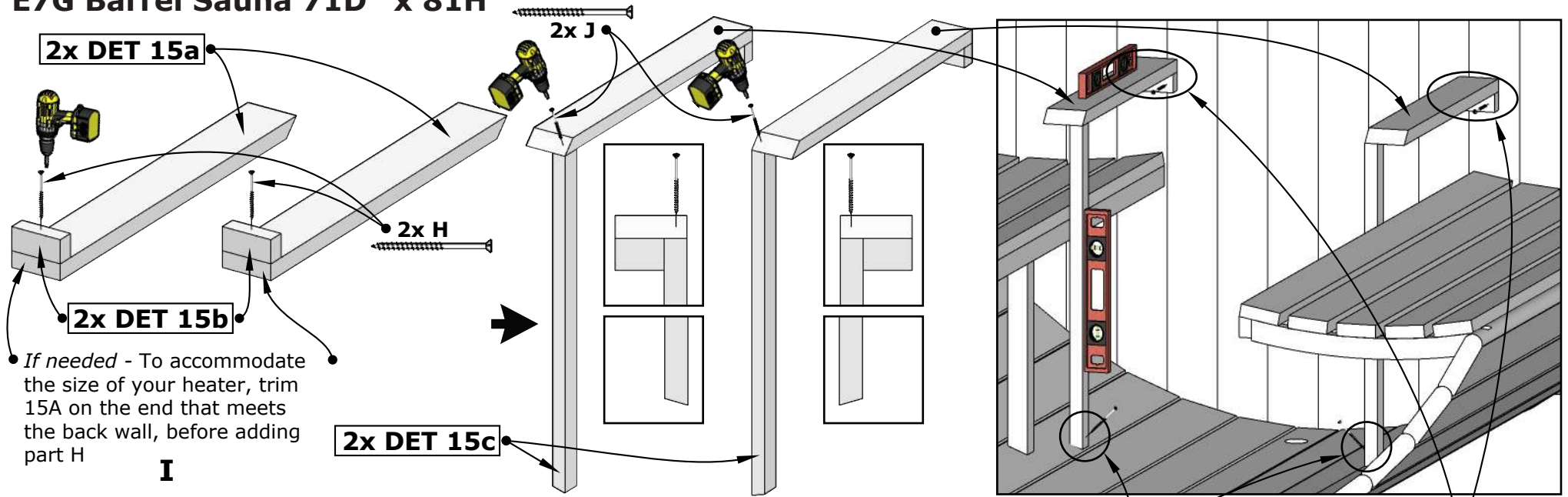




# E8G Barrel Sauna 87D" x 81H"



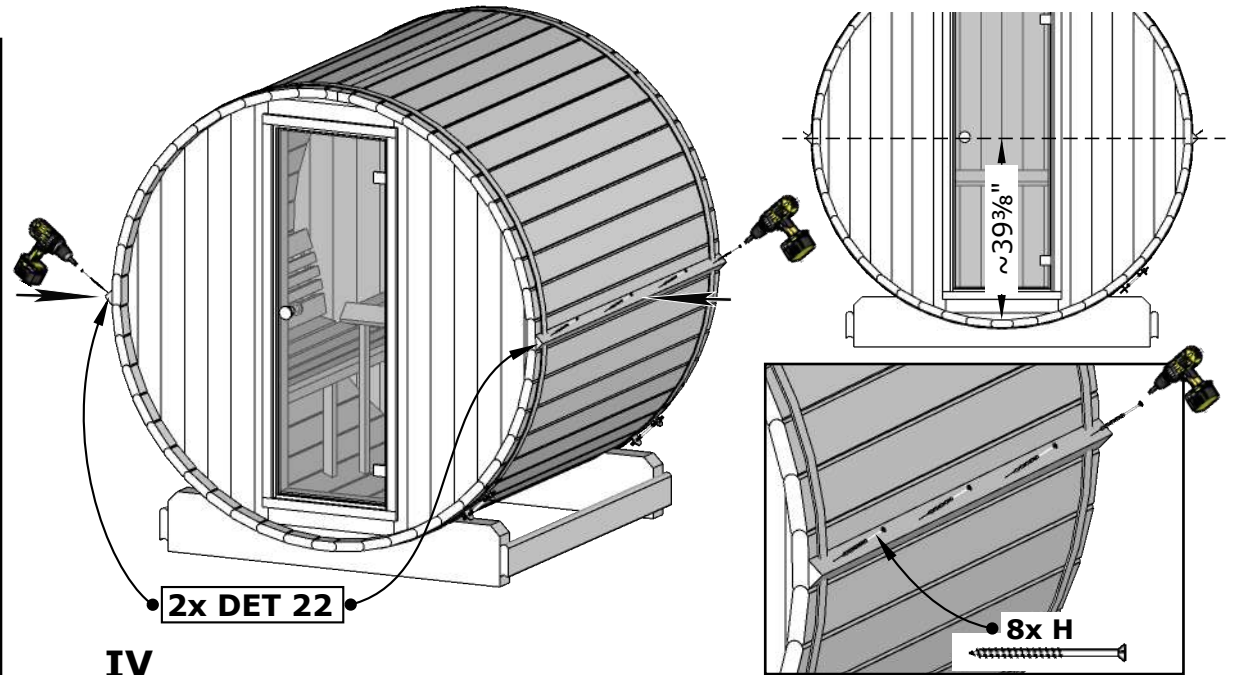
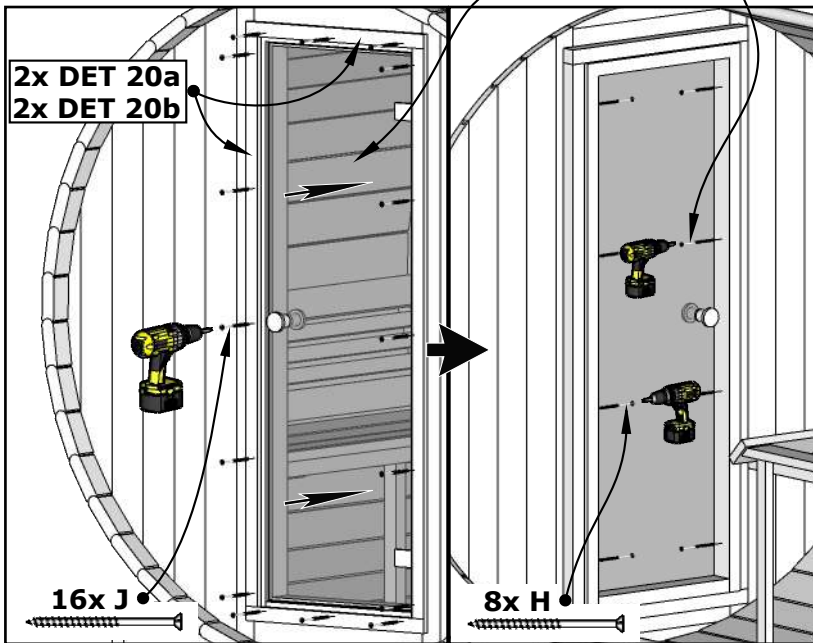
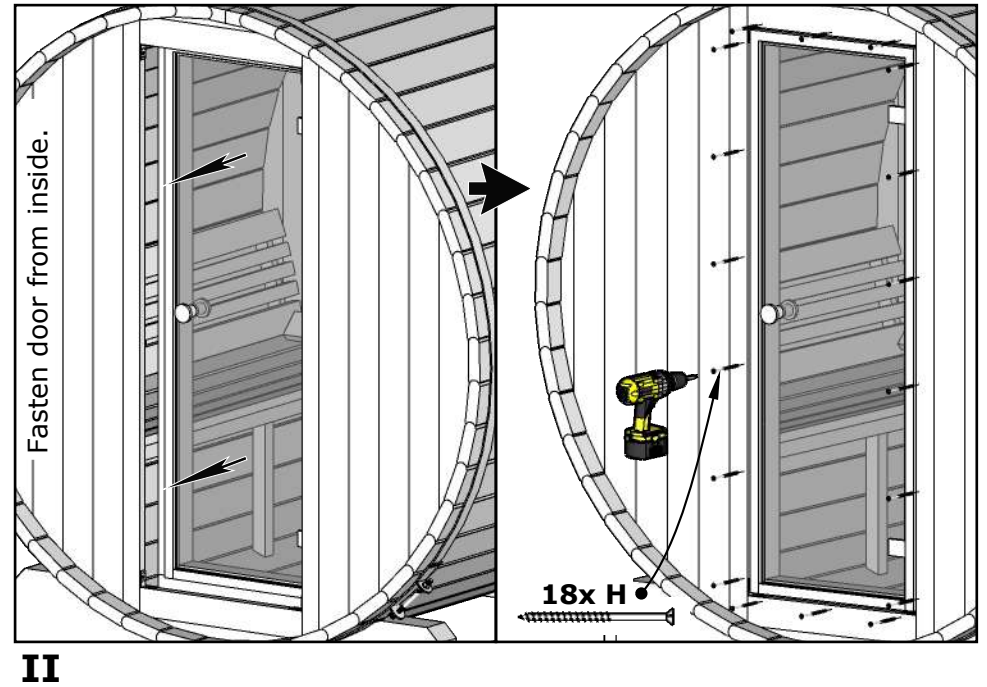
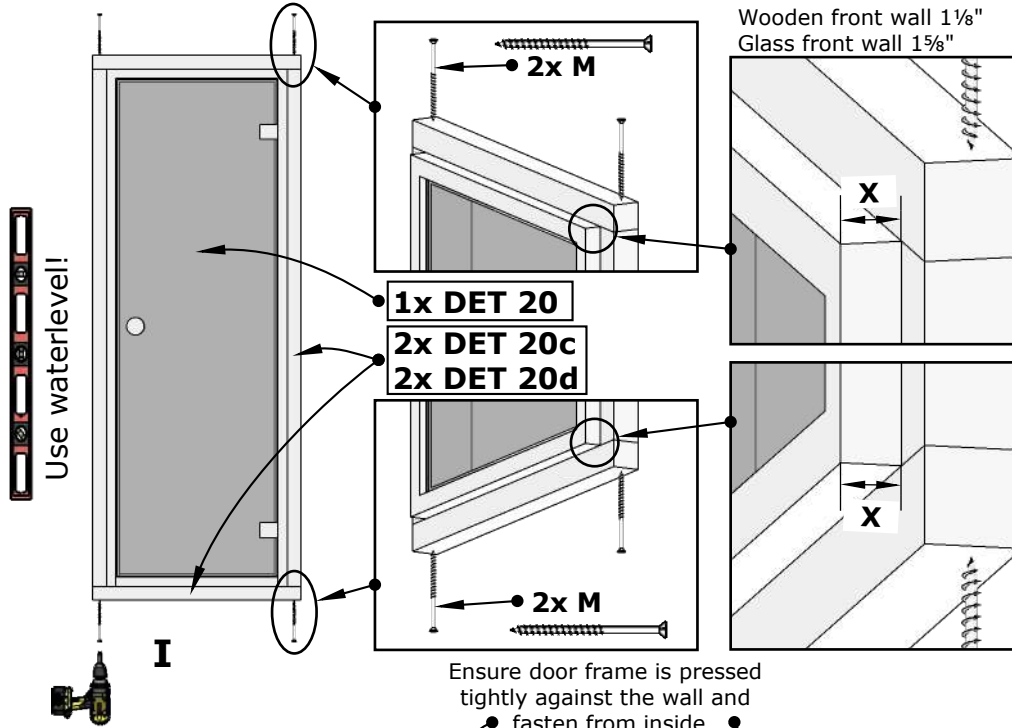
# E7G Barrel Sauna 71D" x 81H"





# E8G Barrel Sauna 87D" x 81H"

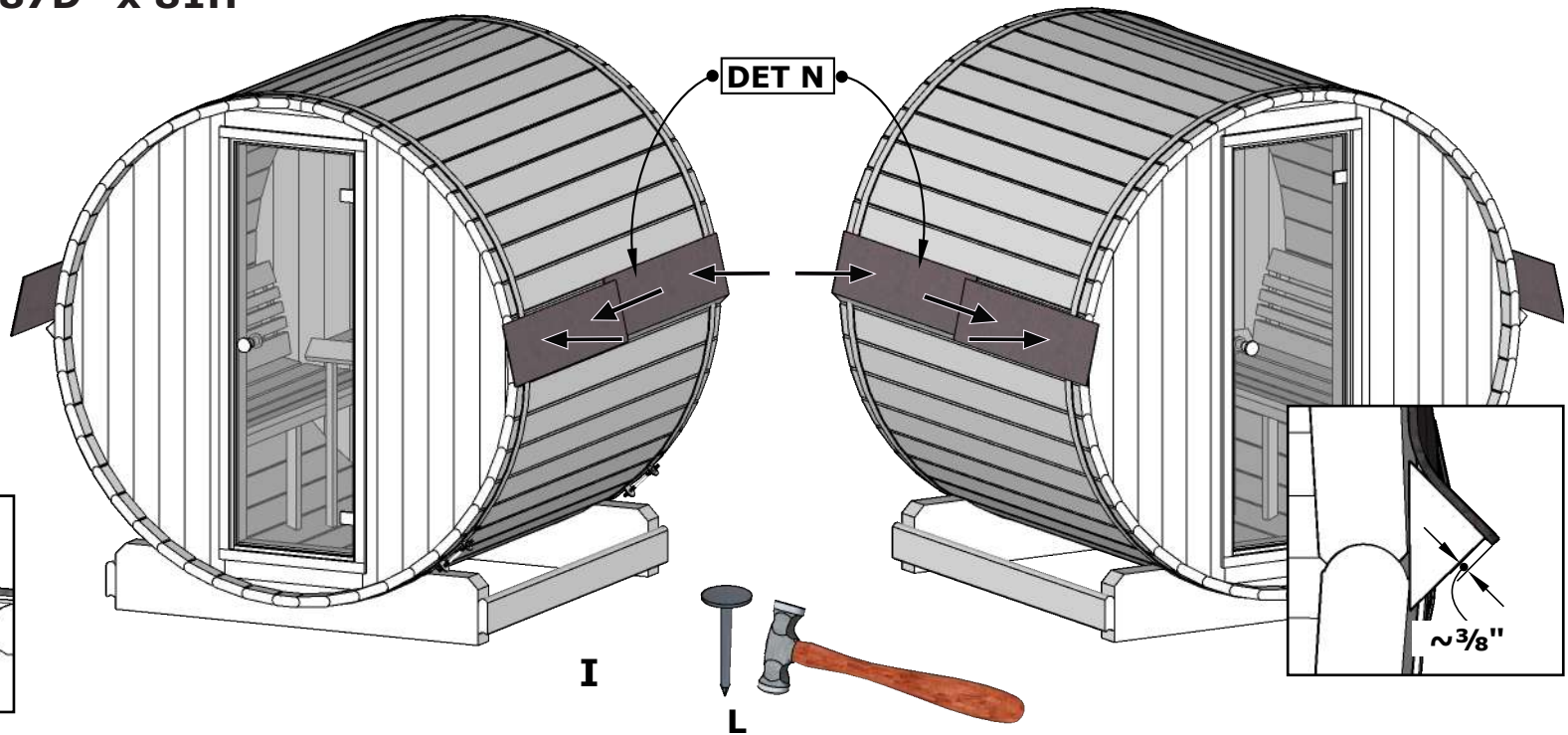
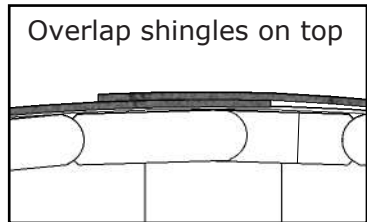
X= Front wall thickness  
 Wooden front wall 1 1/8"  
 Glass front wall 1 5/8"



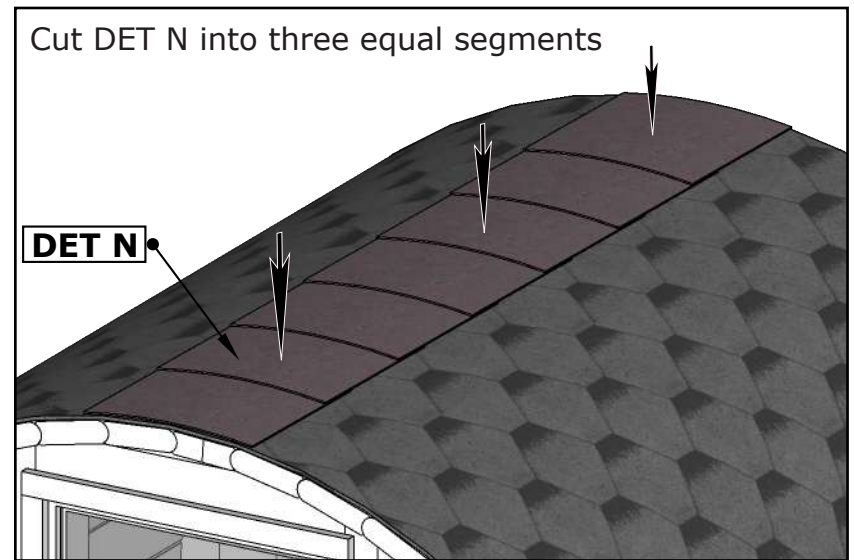
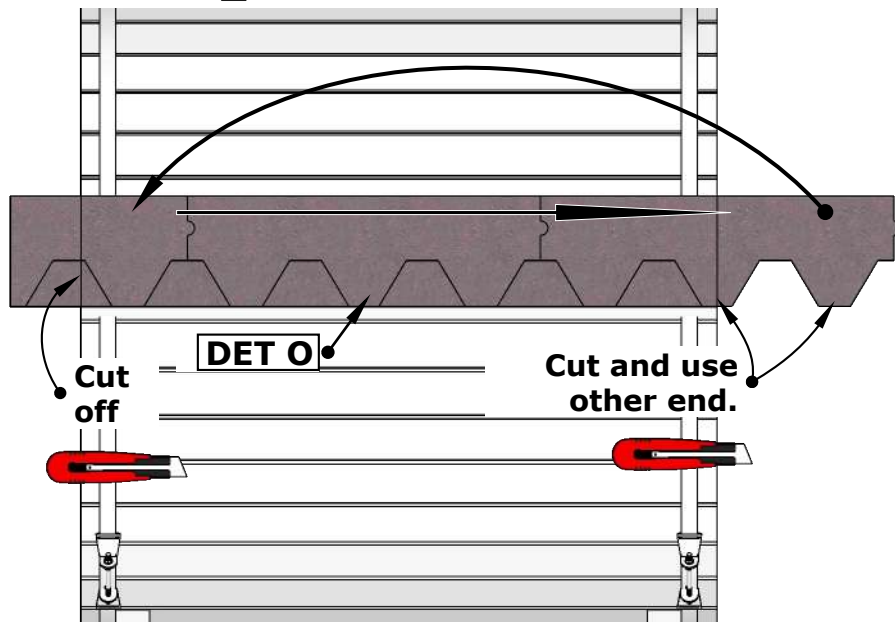


# E8G Barrel Sauna 87D" x 81H"

See the installation manual inside the shingles package



Check also roof shingles installation manual inside package.



# E8G Barrel Sauna 87D" x 81H"

