



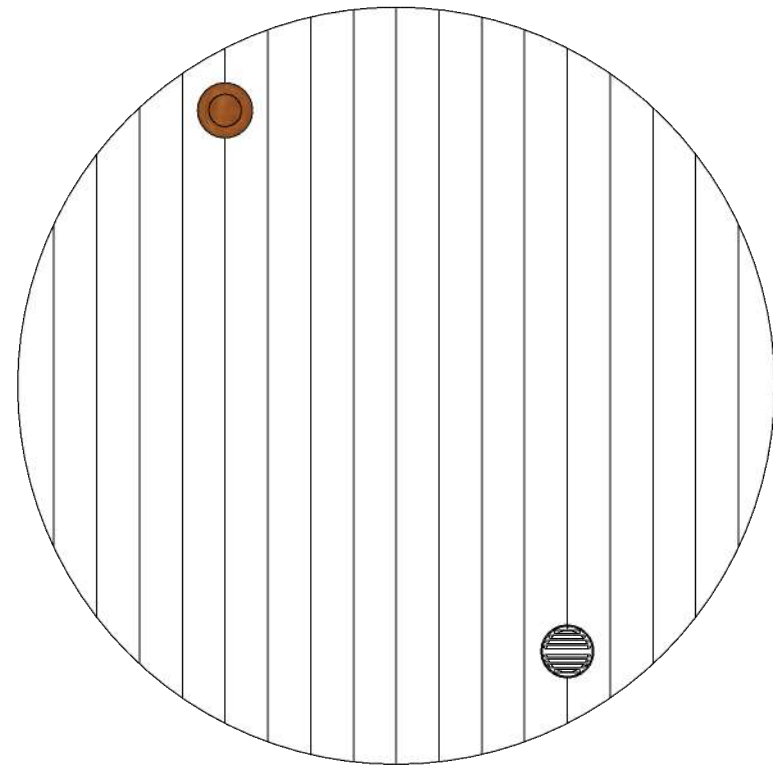
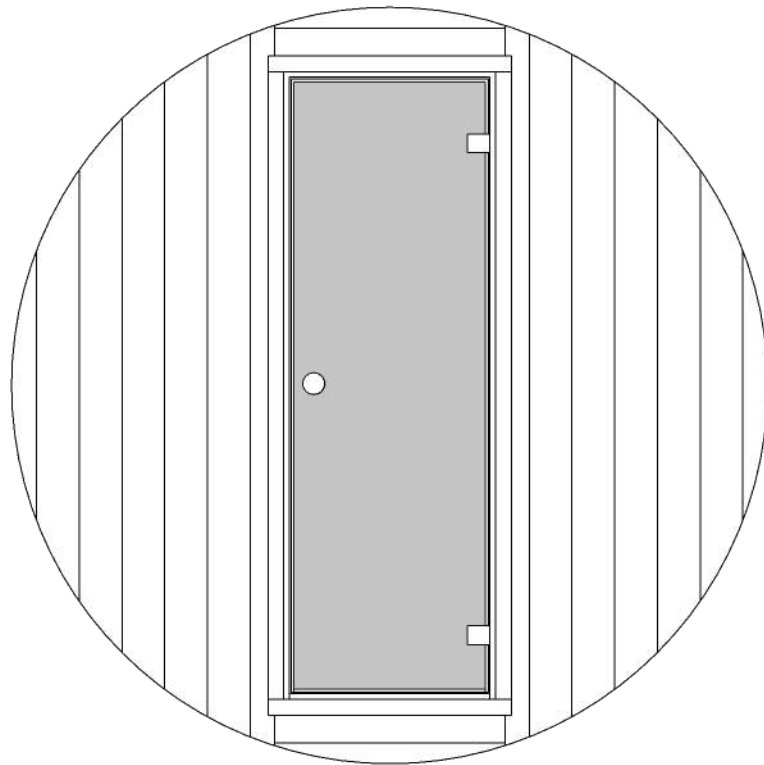
Ergo-Series E6 Barrel Sauna
59D" x 81H"



Note: Please read manual before construction

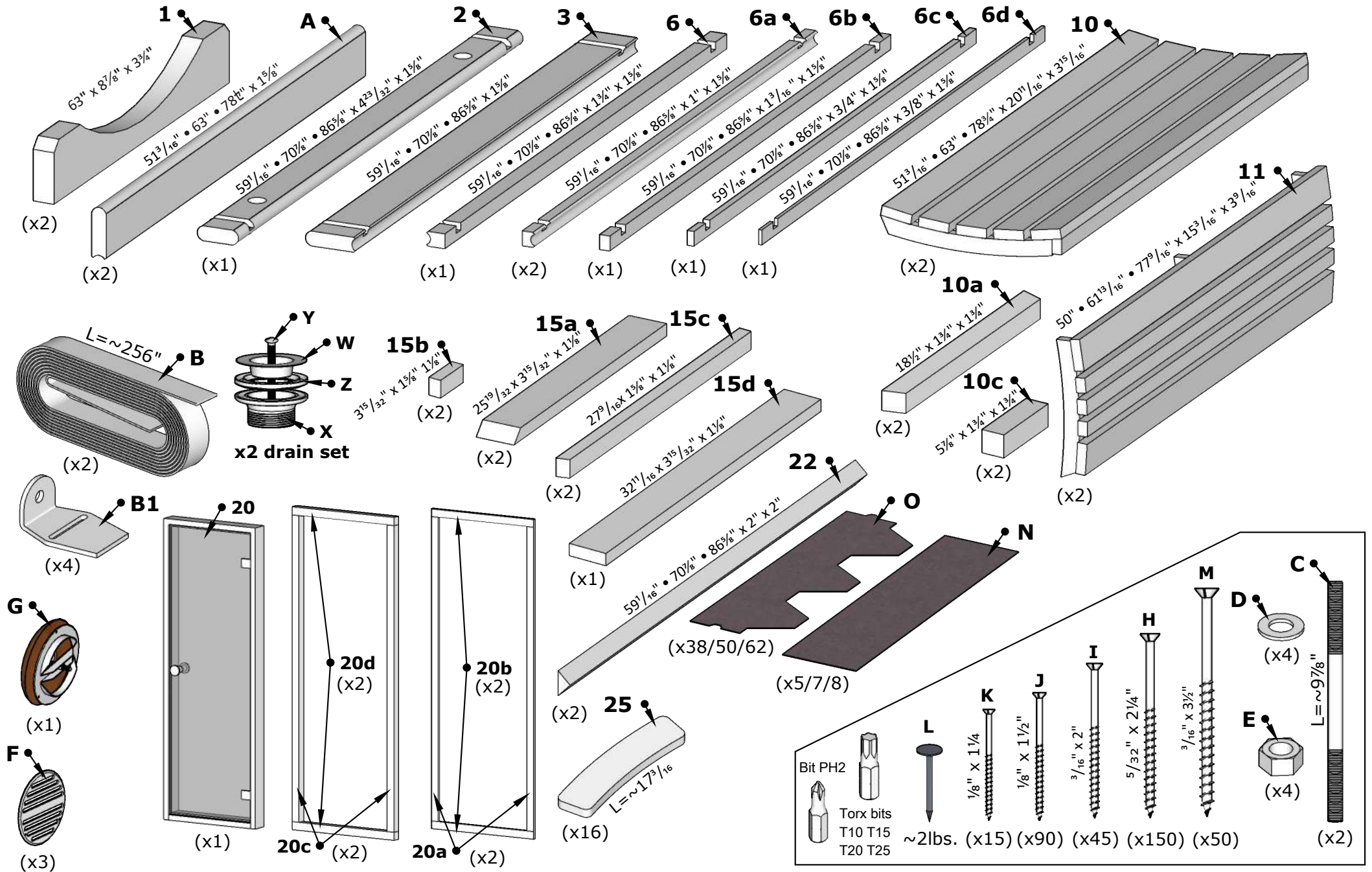
Rev 4/2023

Front & Back Walls

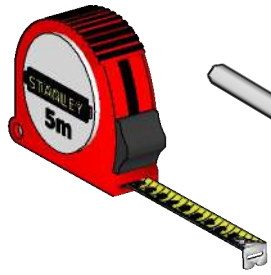


E6 Barrel Sauna 59D" x 81H"

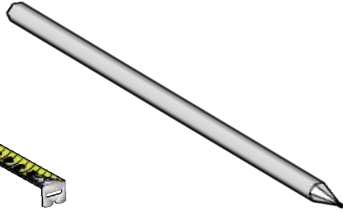
Details list.



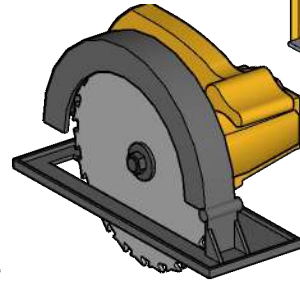
Tools needed



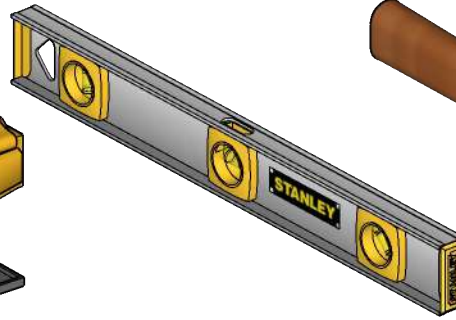
Measuring tape



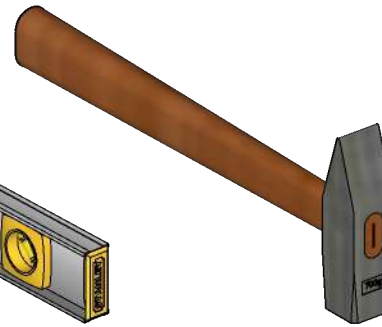
Marker pen



Circular saw



Water level



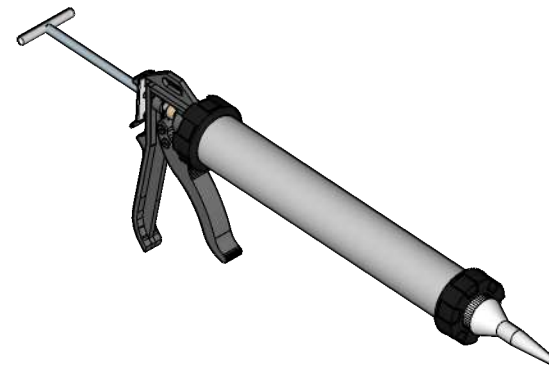
Hammer



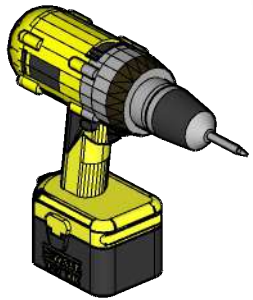
Extra hands



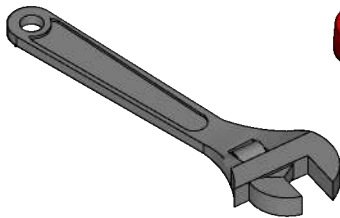
Ratchet strap



Silicone gun
(Only glass-wall models)



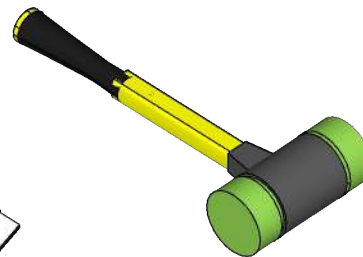
Drill



Crescent wrench



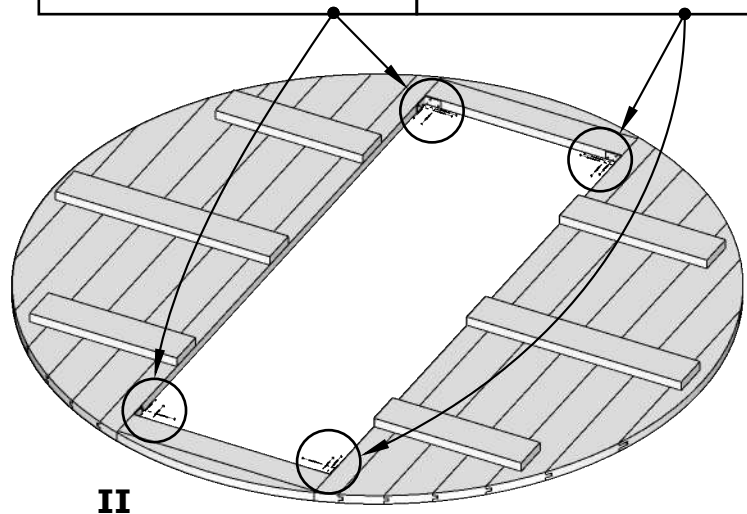
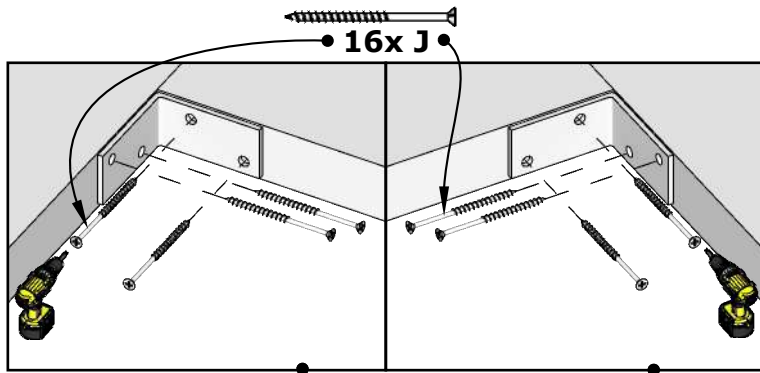
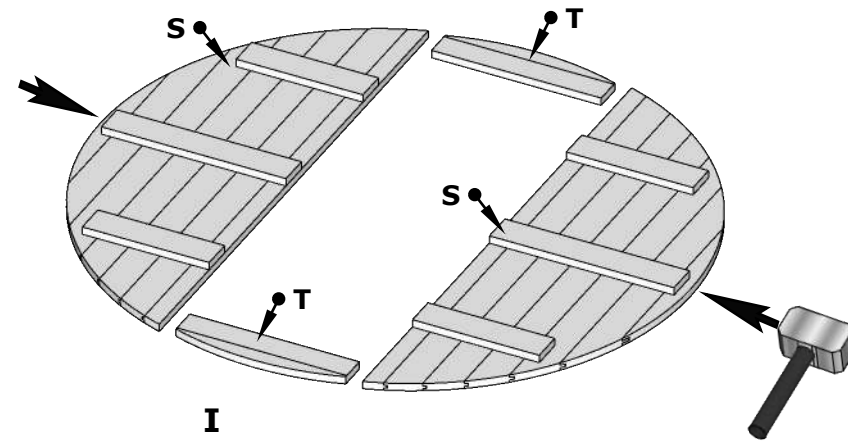
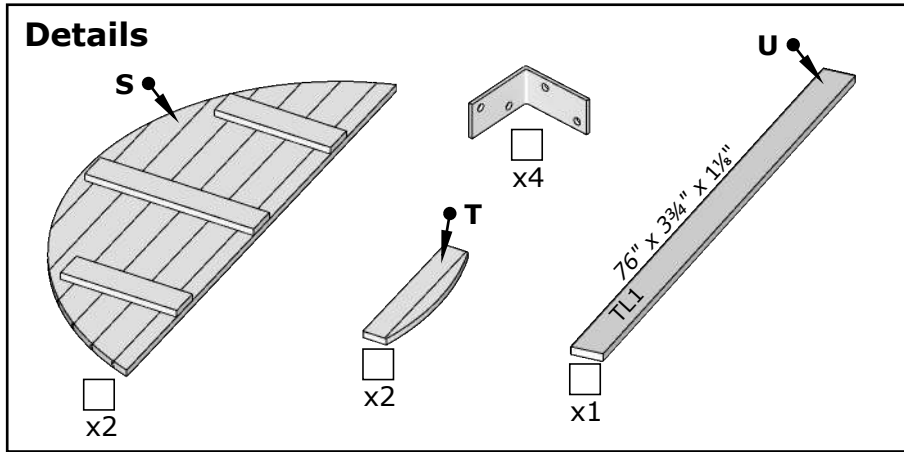
Utility knife



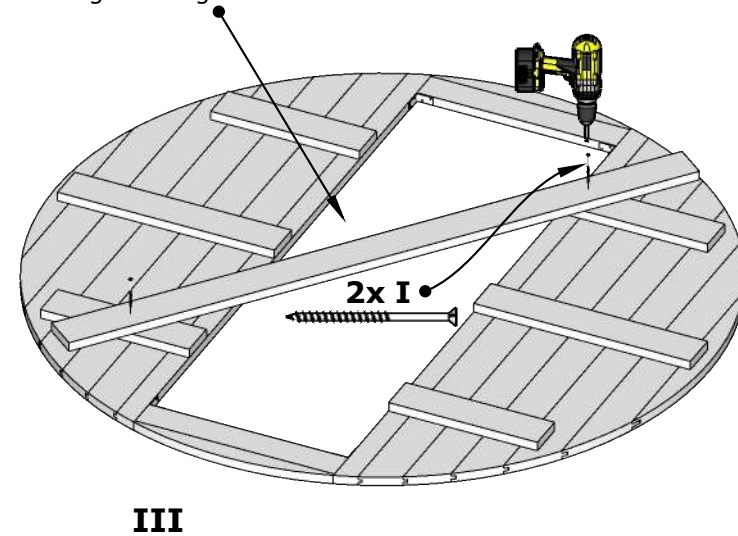
Rubber mallet

Wooden front wall installation

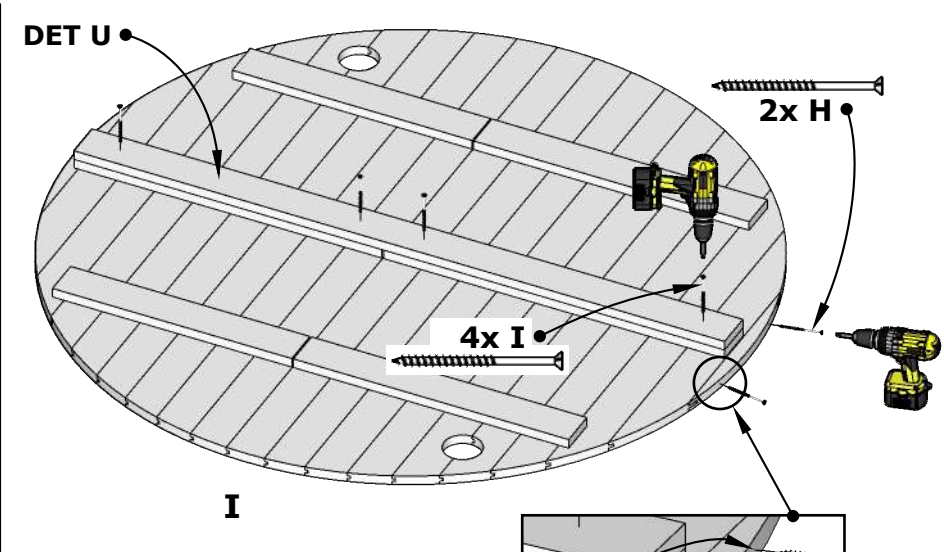
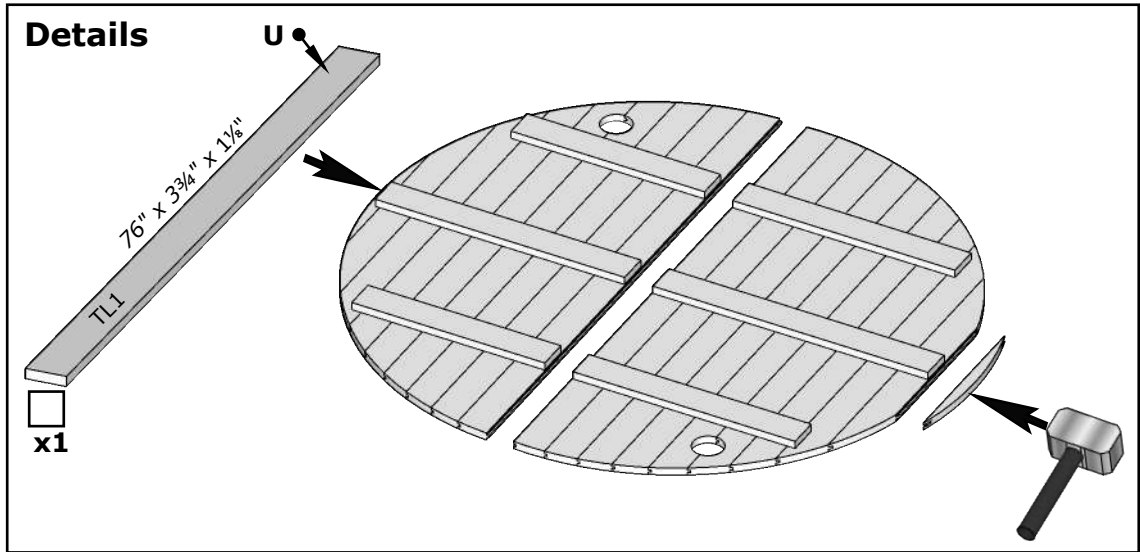
Details



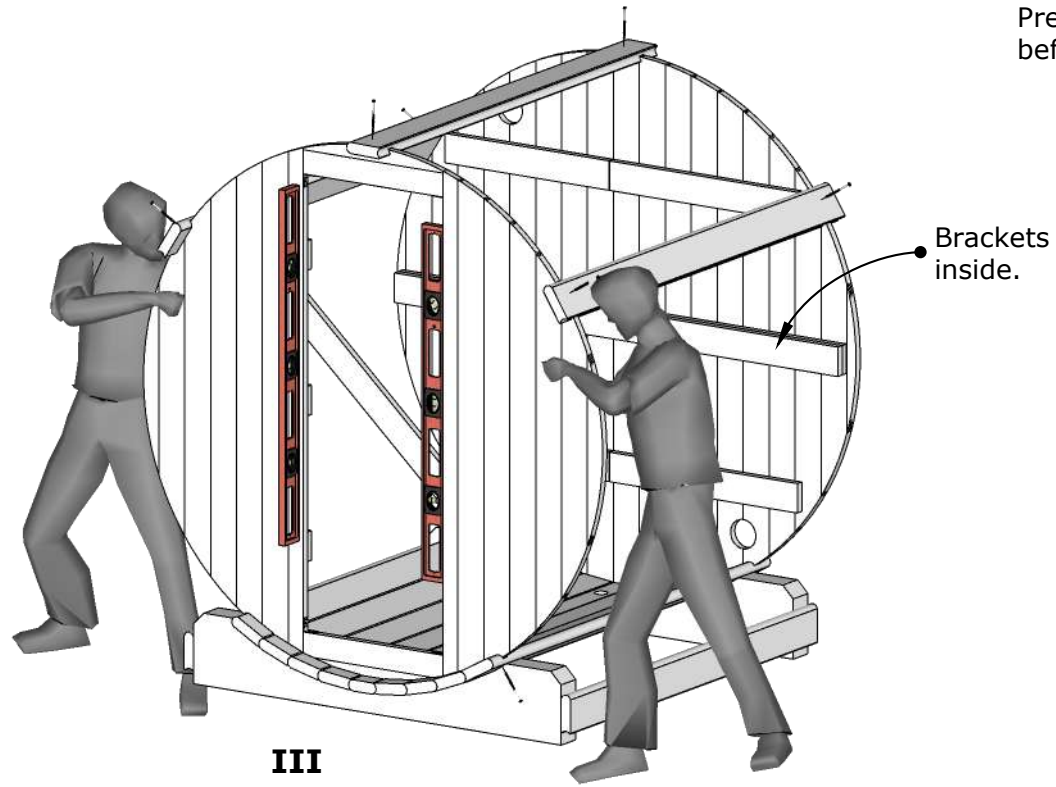
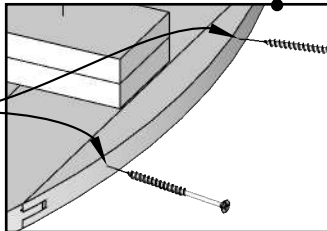
DET U Fix it diagonally to make wall more rigid during the installation.



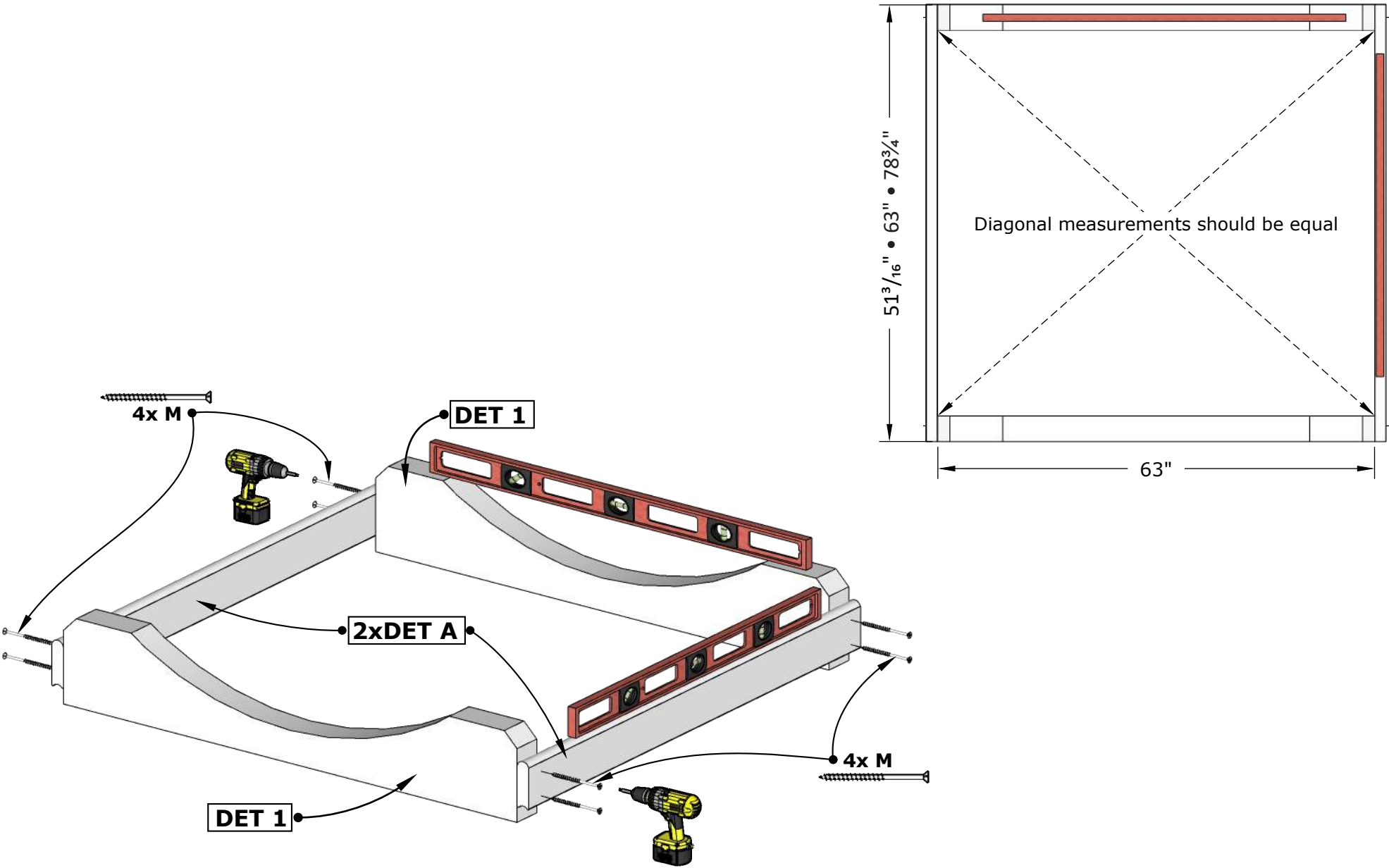
Wooden back wall installation



Pre-drill holes 5/32" before screws.

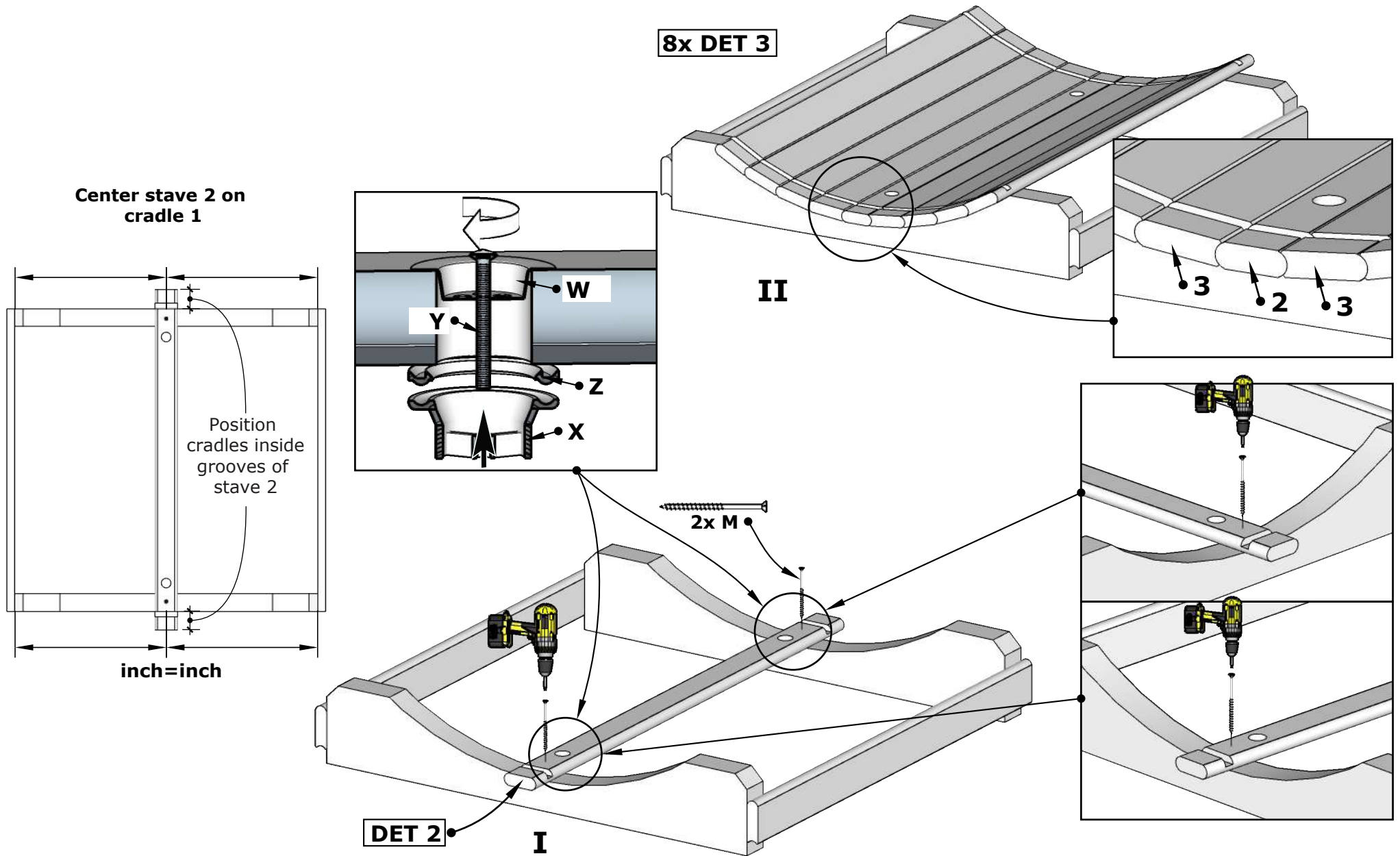


E6 Barrel Sauna 59D" x 81H"

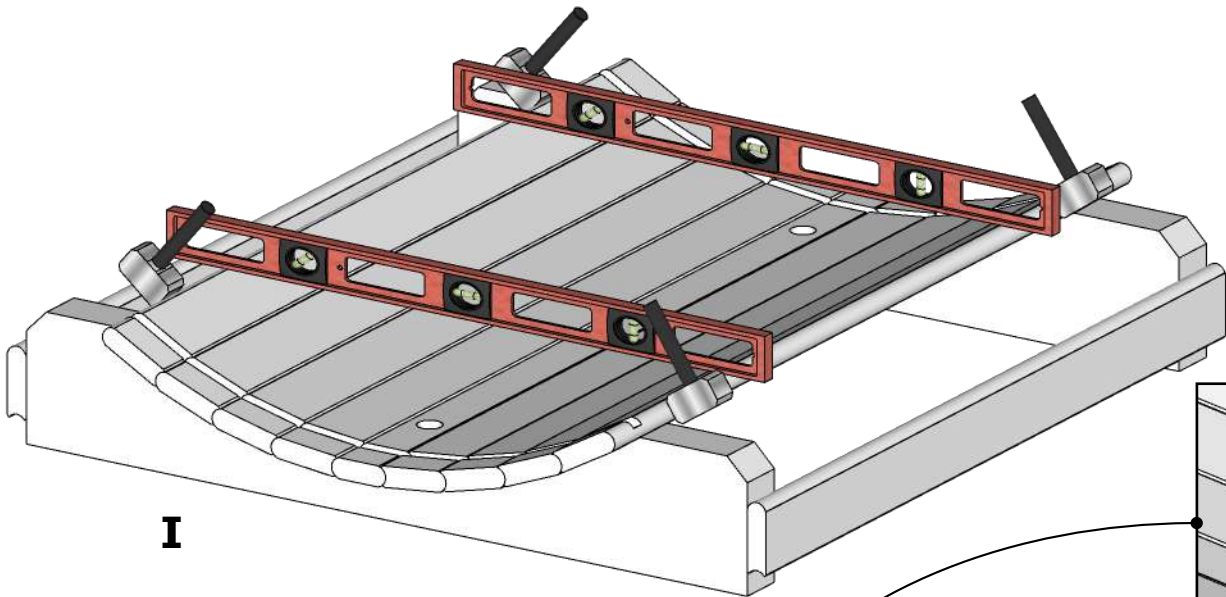


1.

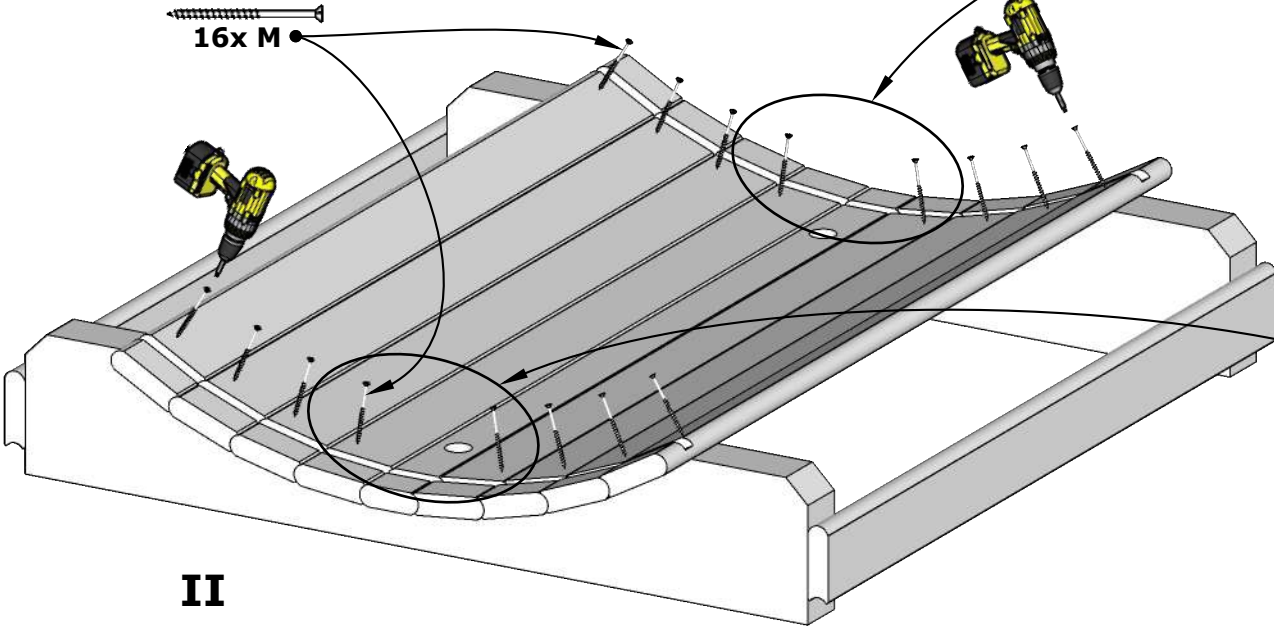
E6 Barrel Sauna 59D" x 81H"



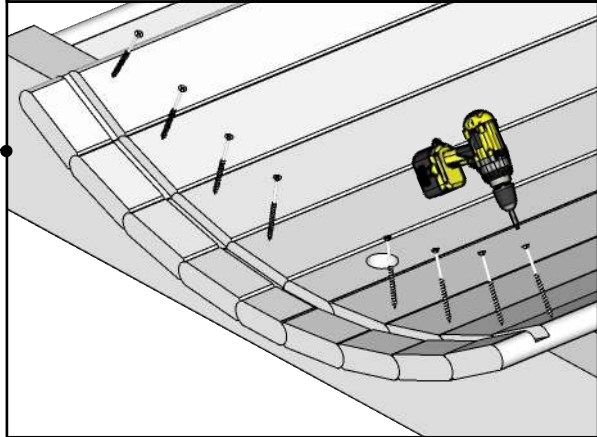
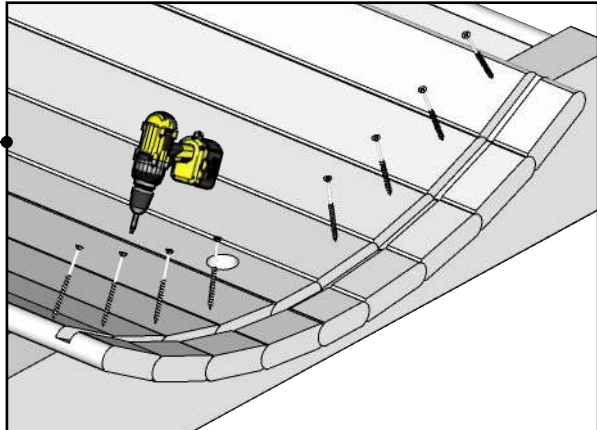
E6 Barrel Sauna 59D" x 81H"



I

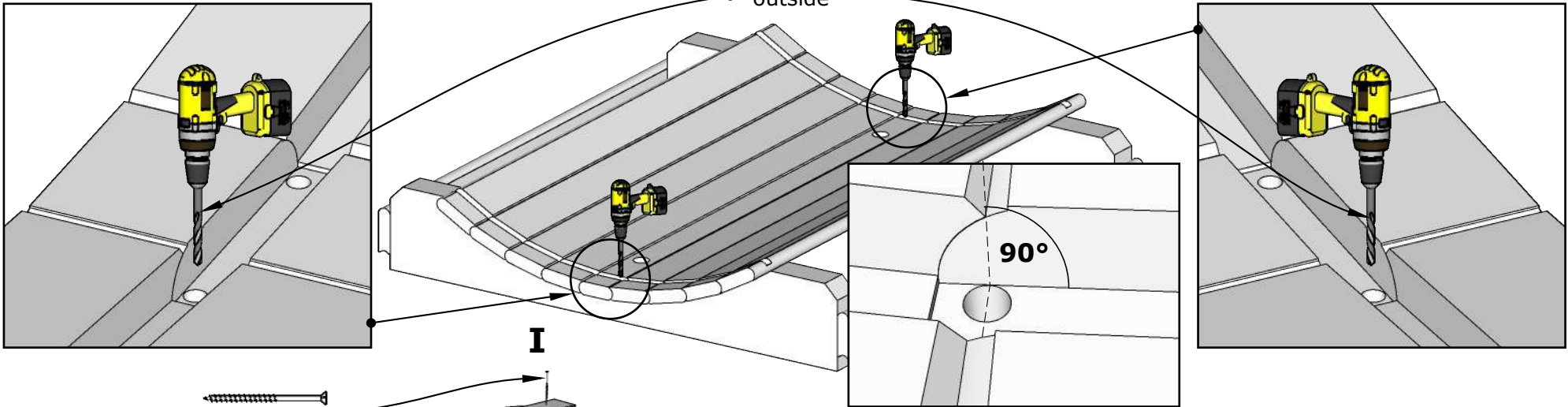


II

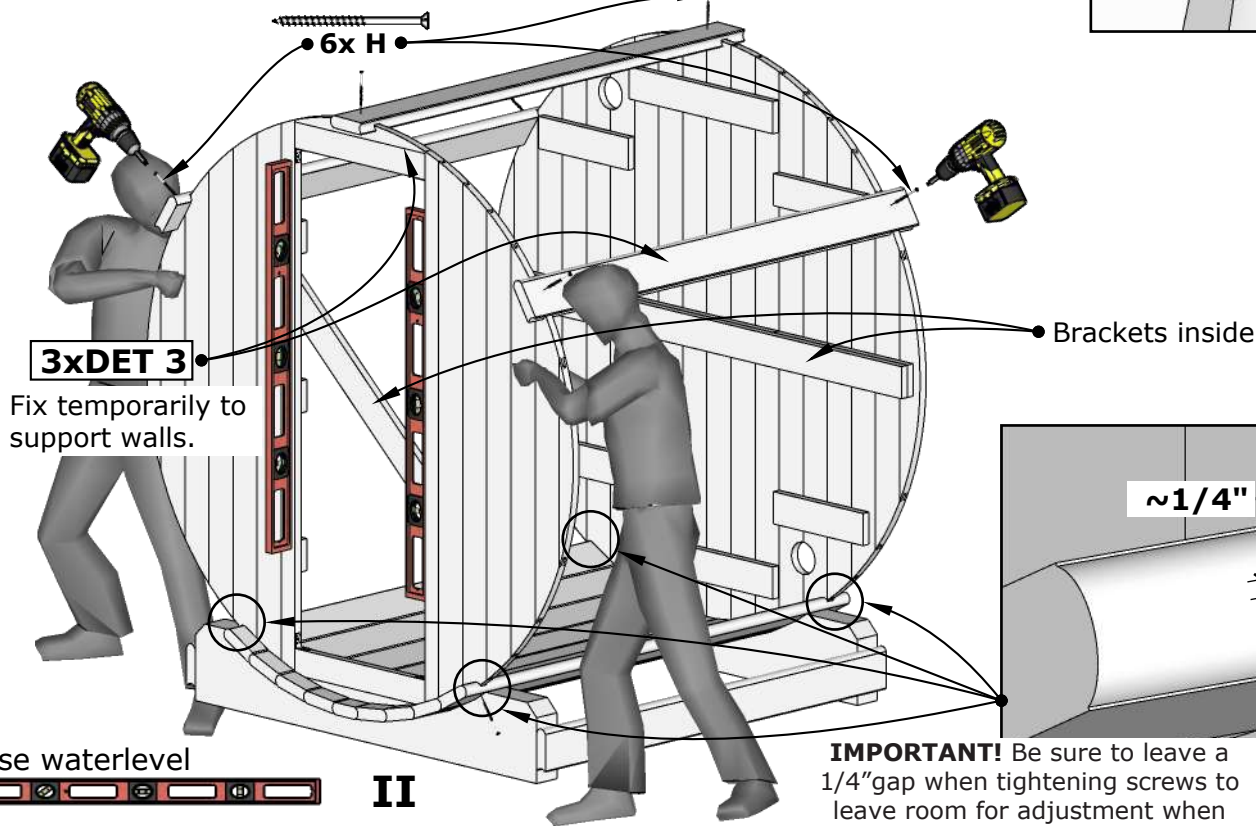


E6 Barrel Sauna 59D" x 81H"

Drill 4 holes $\varnothing 1/2"$
through DET 2
outside

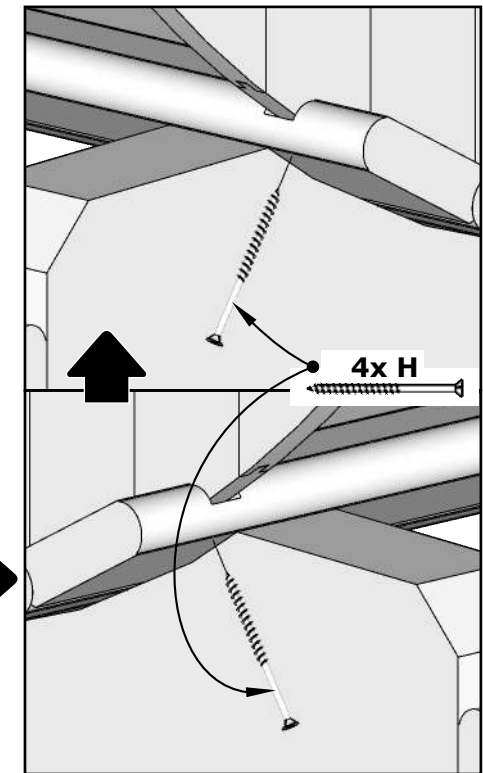


I

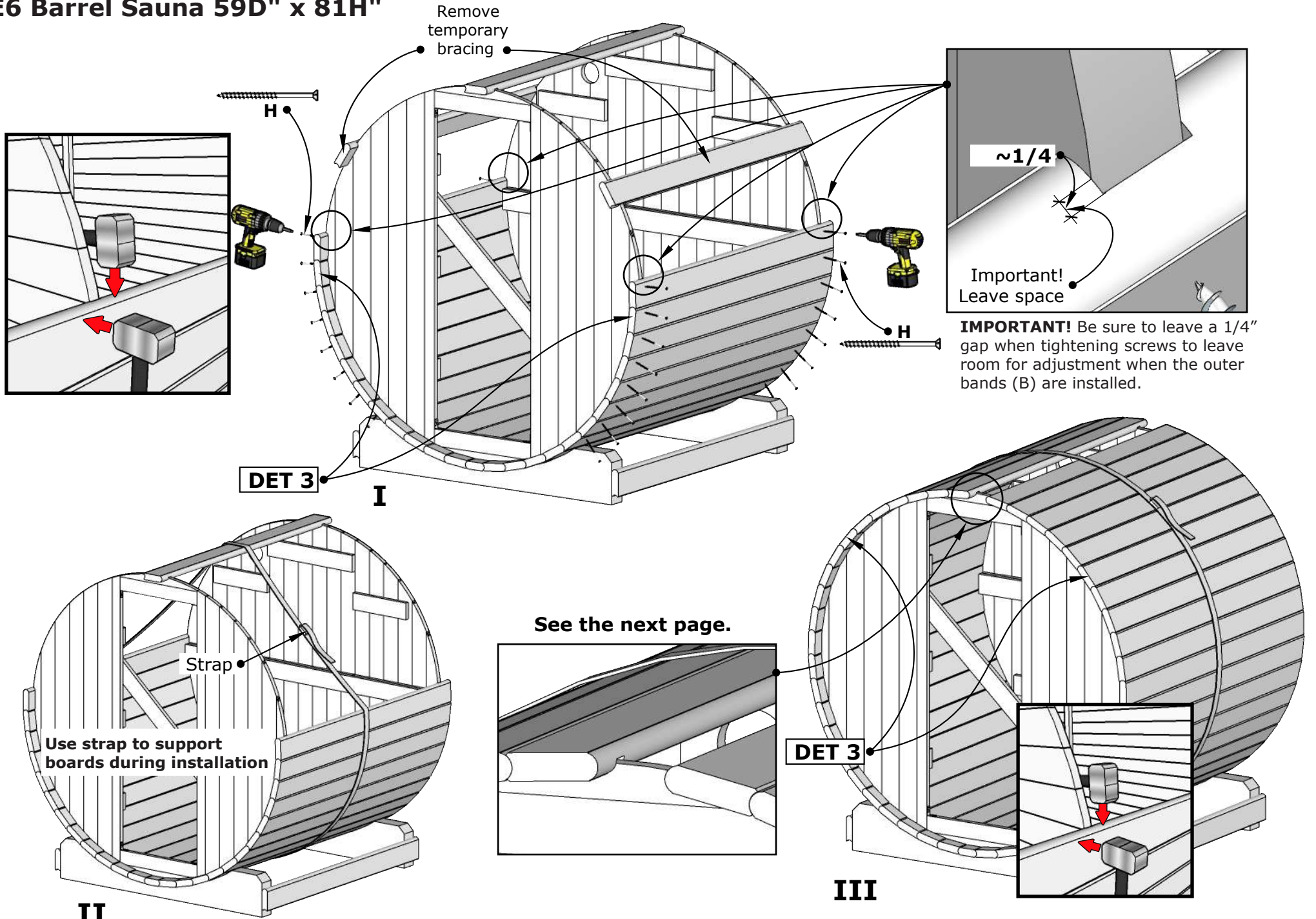


II

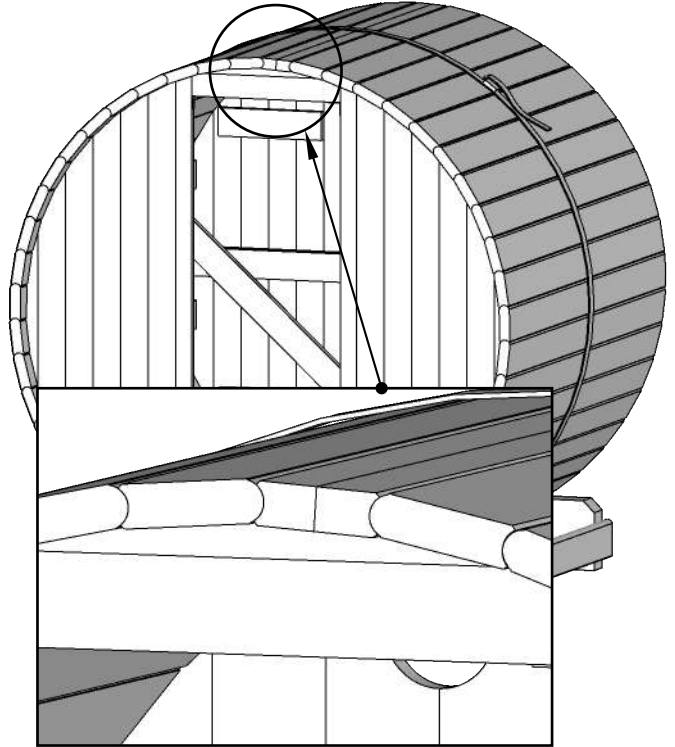
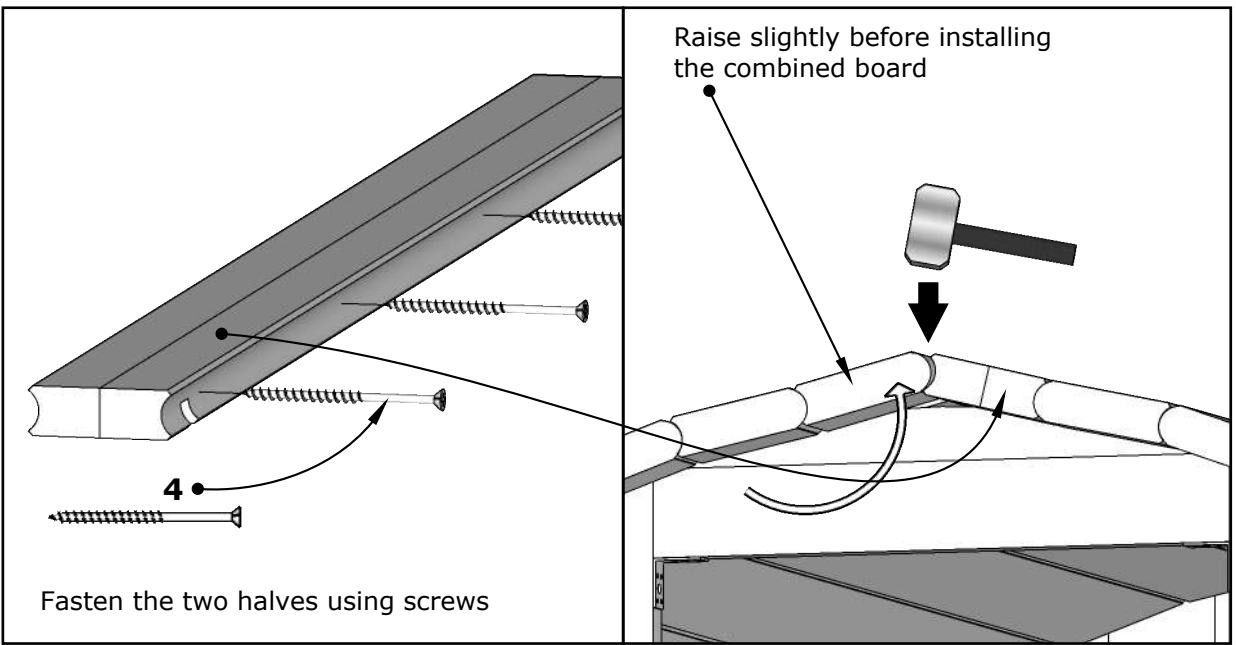
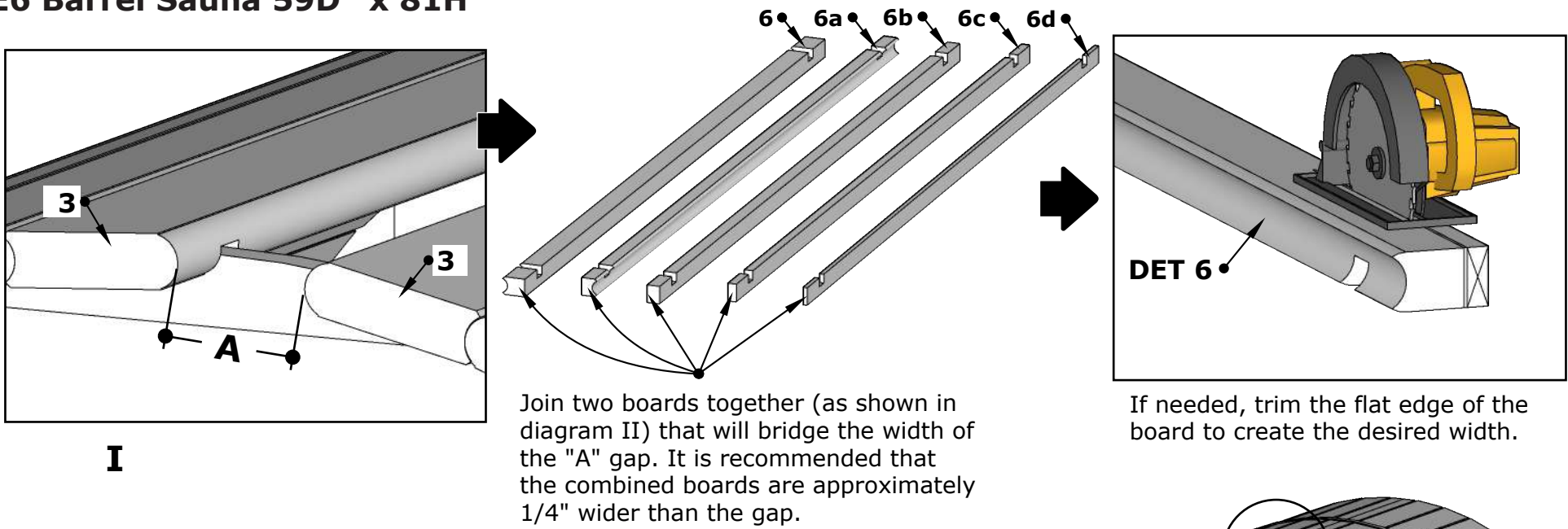
IMPORTANT! Be sure to leave a $1/4"$ gap when tightening screws to leave room for adjustment when the outer bands (B) are installed.



E6 Barrel Sauna 59D" x 81H"



E6 Barrel Sauna 59D" x 81H"

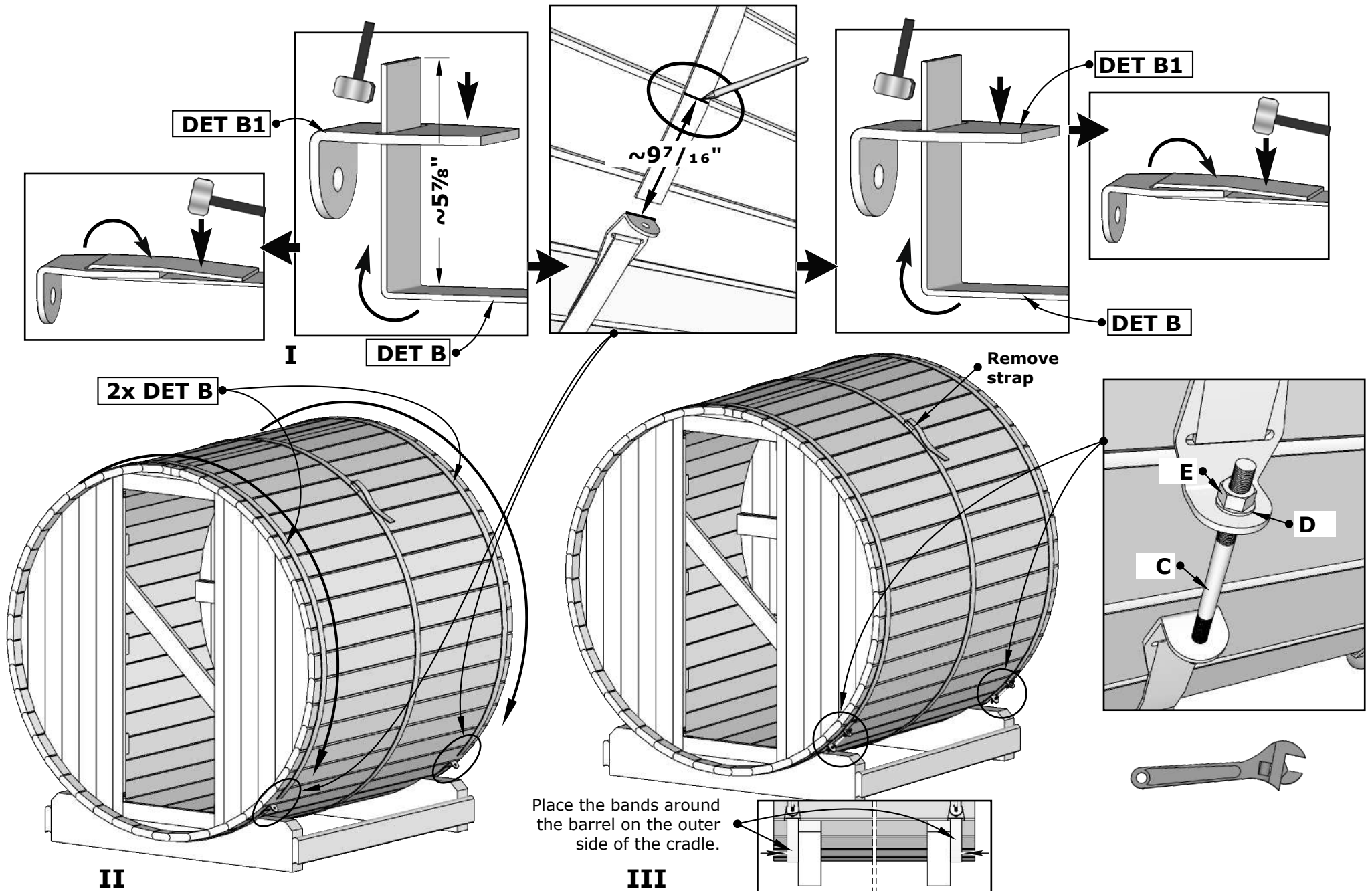


6.

II

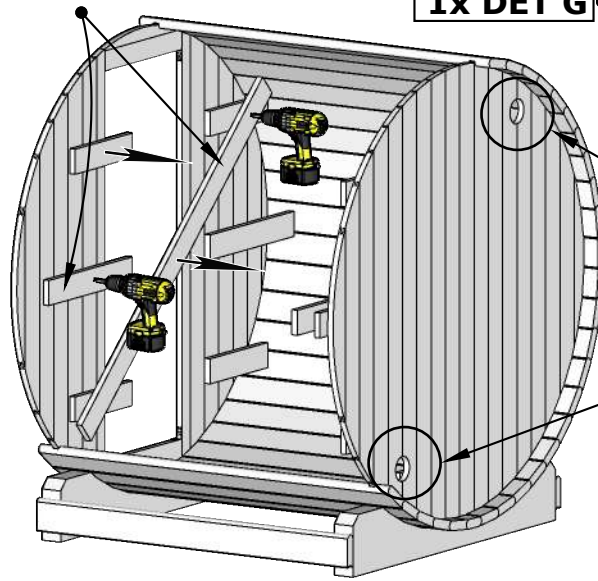
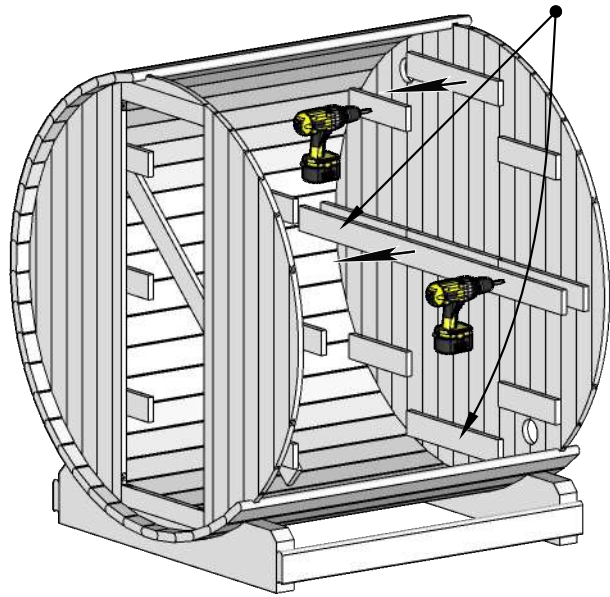
III

E6 Barrel Sauna 59D" x 81H"

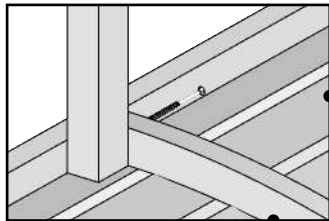
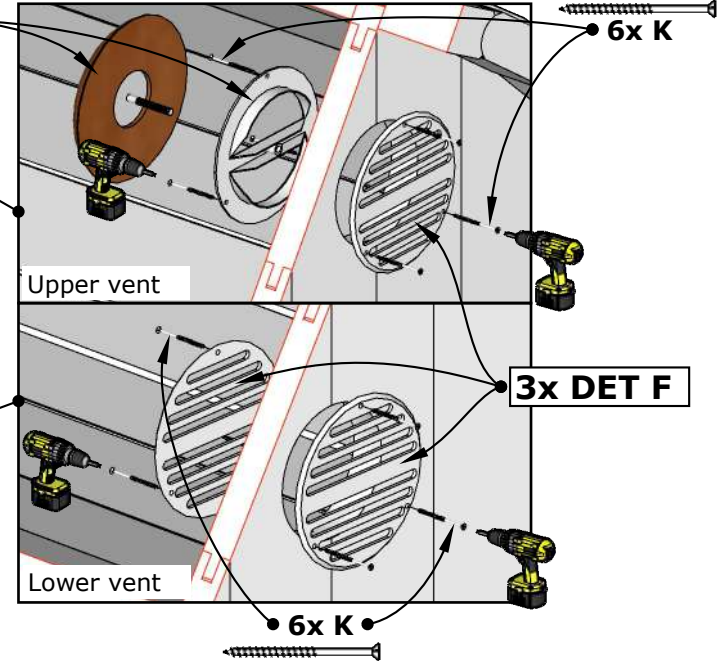


E6 Barrel Sauna 59D" x 81H"

Remove all temporary braces



1x DET G



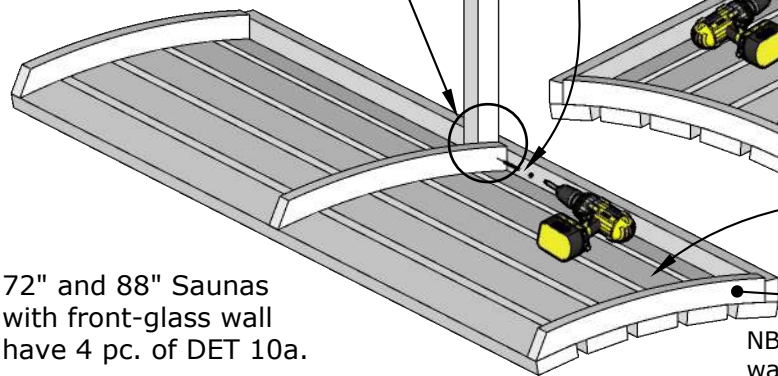
Pre-drill holes $\varnothing 5/32"$ before screws.

I

2x DET 10a

2x H

2x DET 10

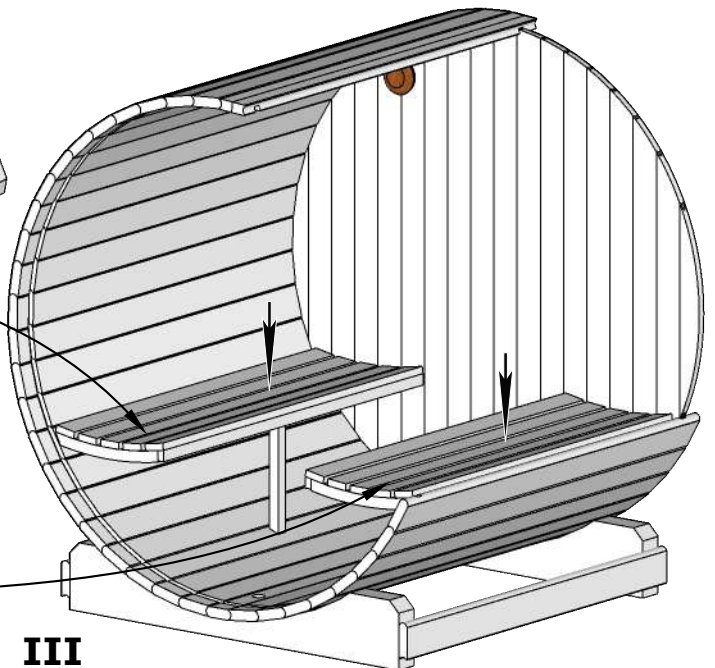


72" and 88" Saunas with front-glass wall have 4 pc. of DET 10a.

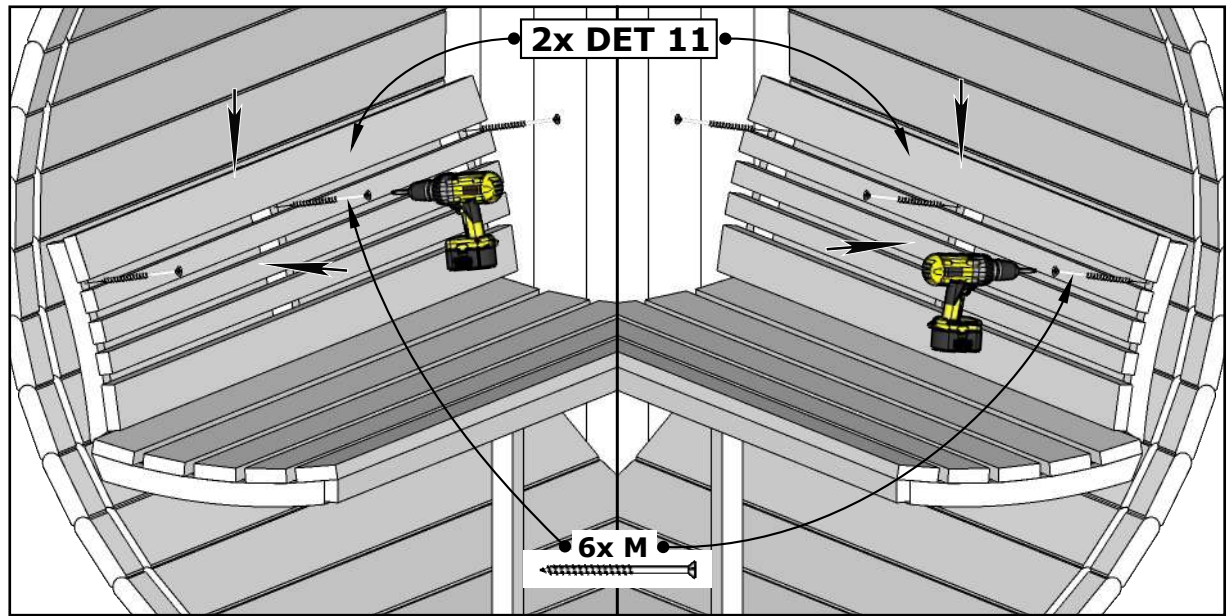
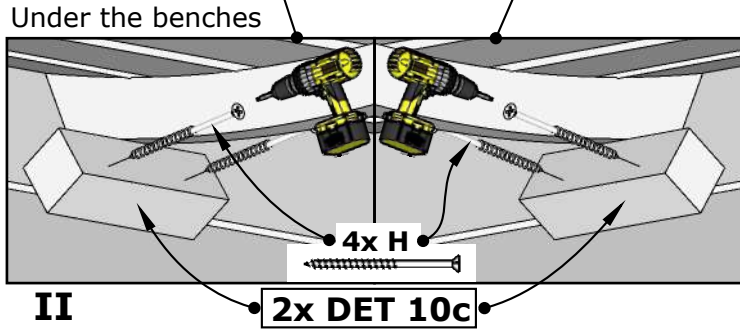
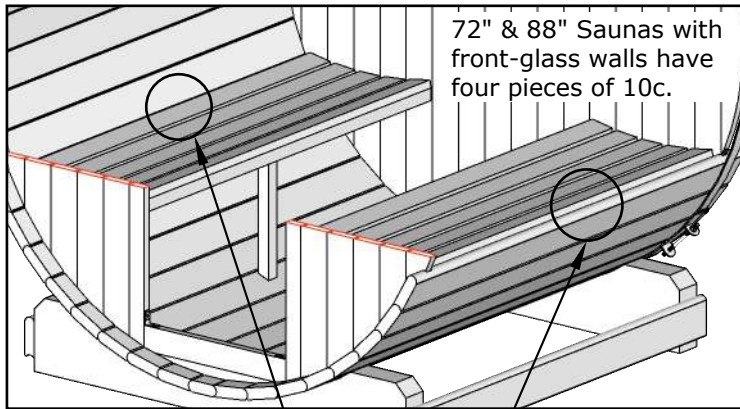
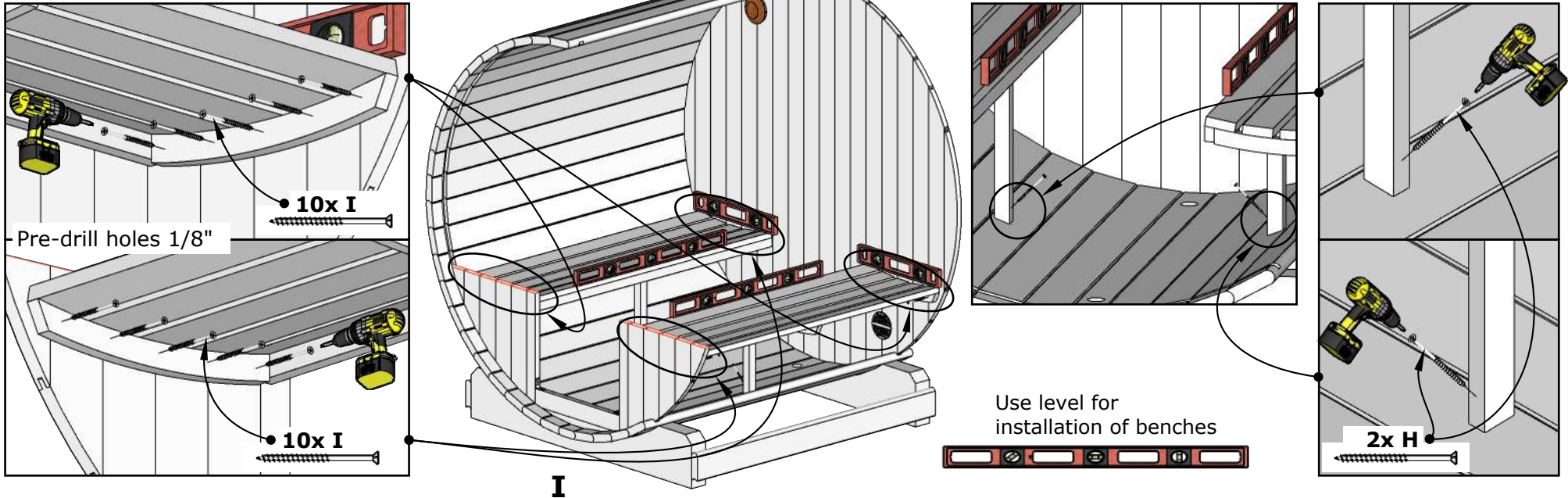
II

NB! If Your sauna equipped with front-glass wall, see front-glass wall installation manual for proper benches installation.

III

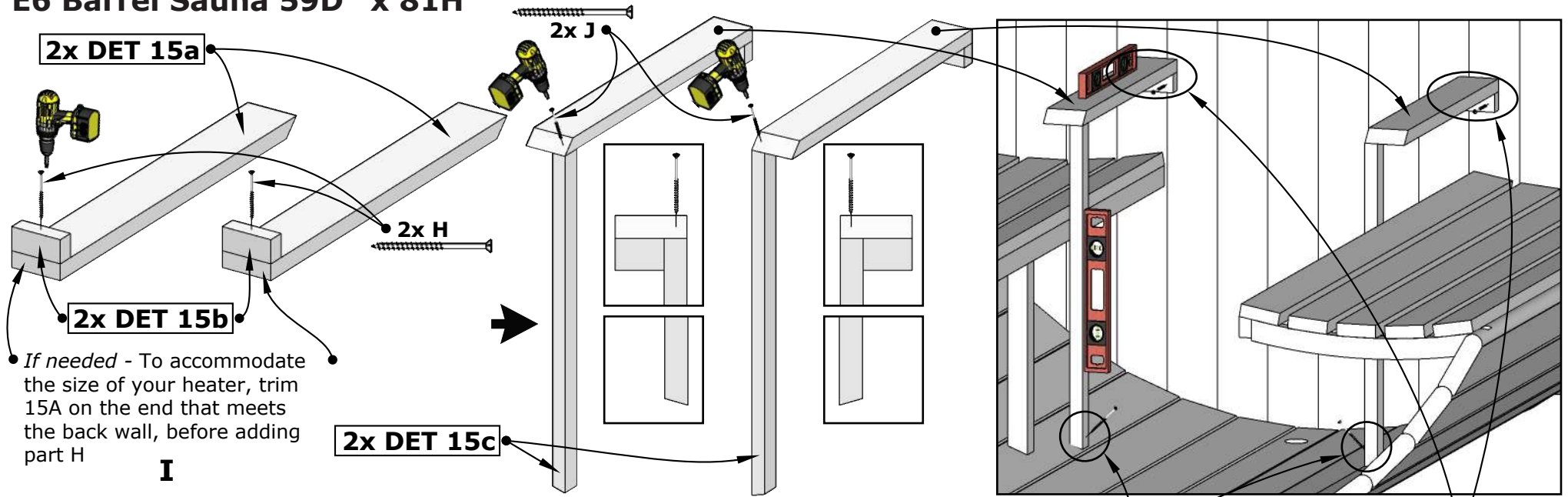


E6 Barrel Sauna 59D" x 81H"

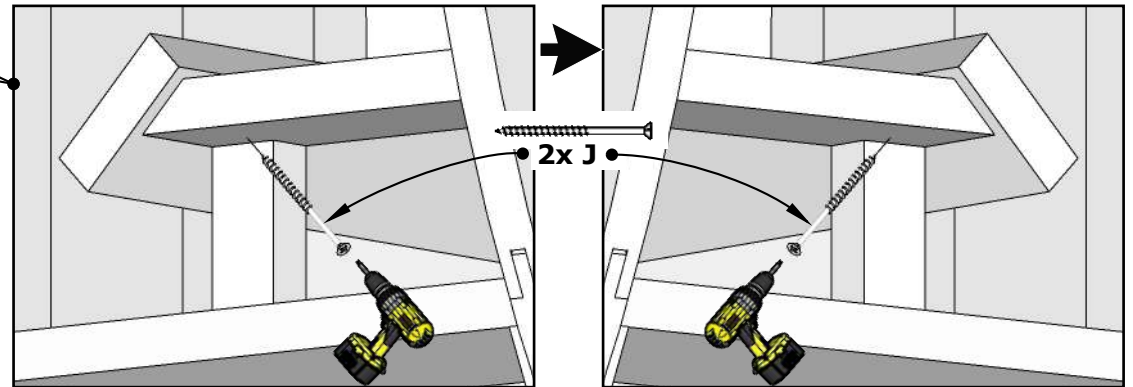
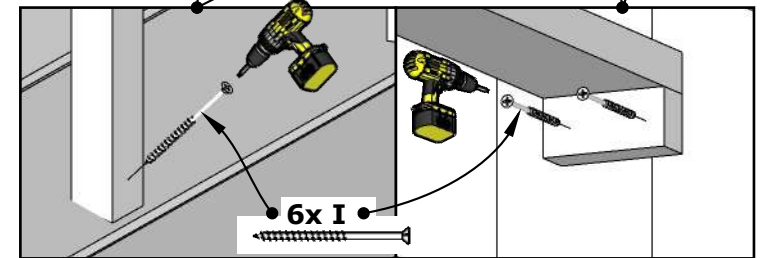
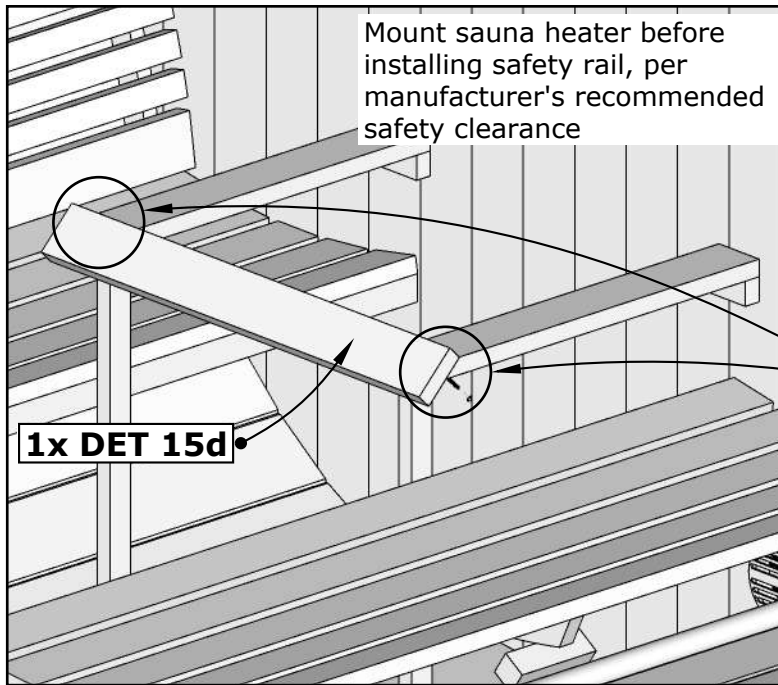


III

E6 Barrel Sauna 59D" x 81H"



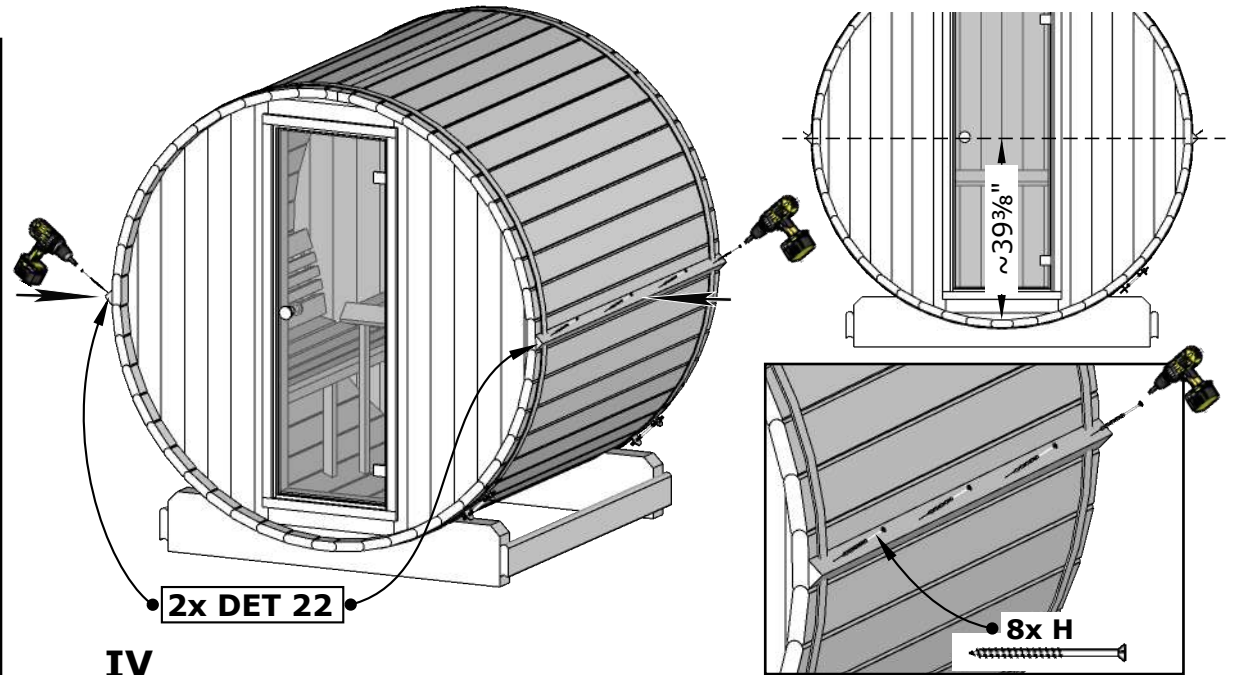
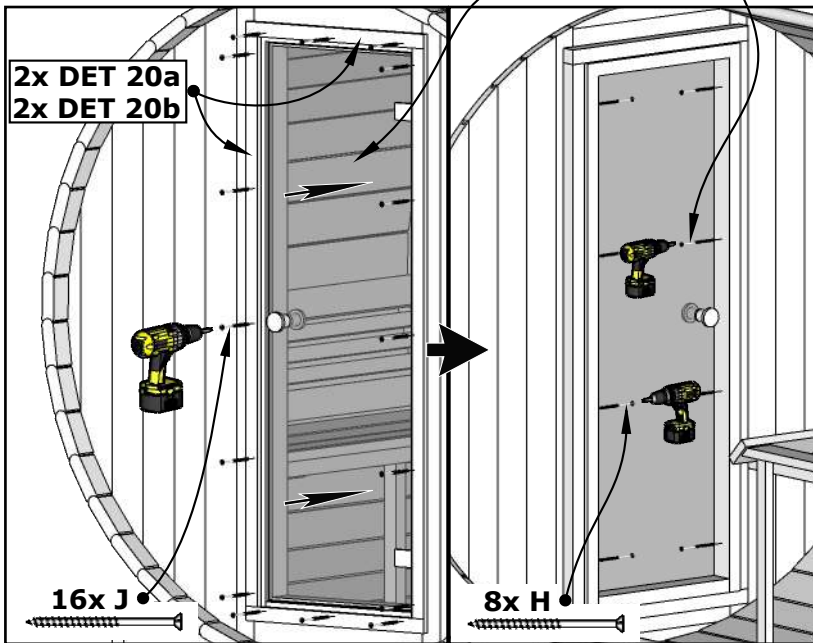
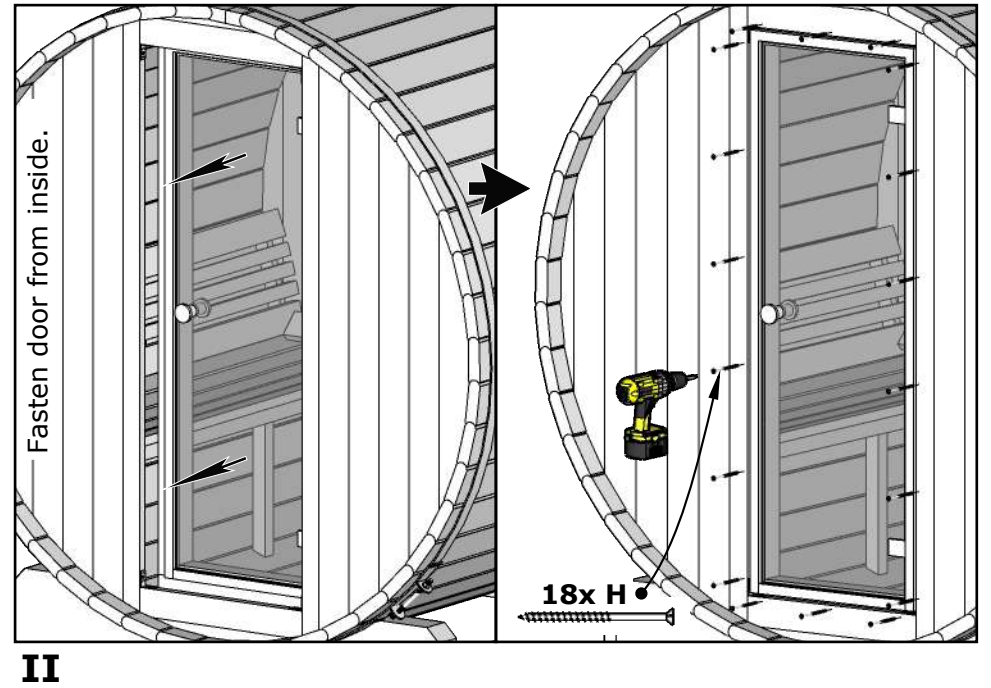
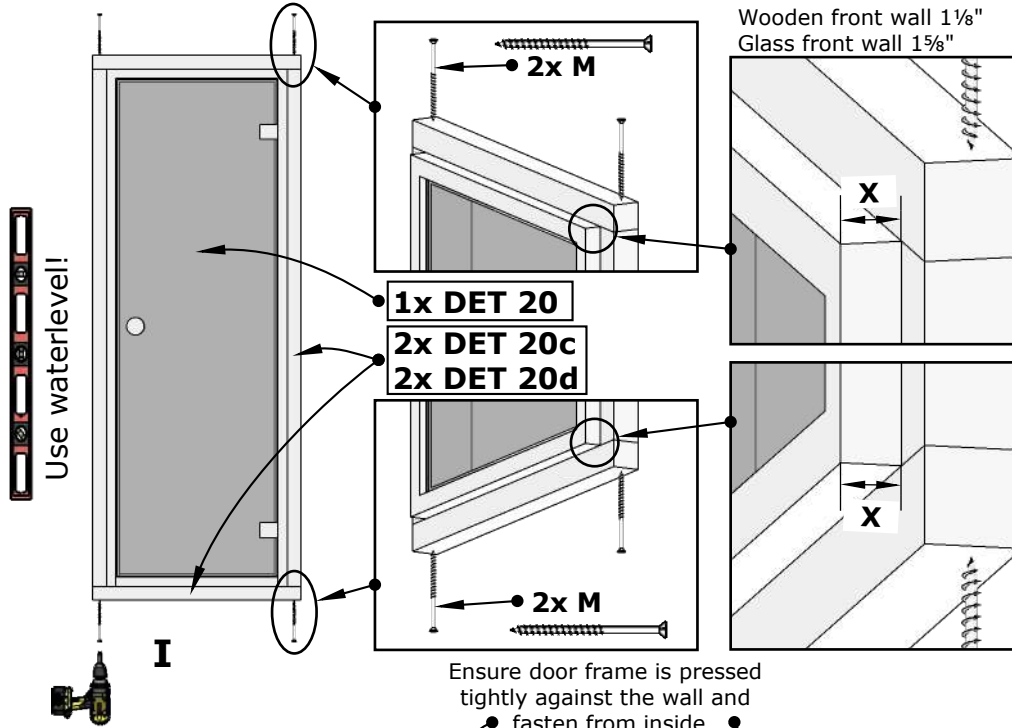
I



II

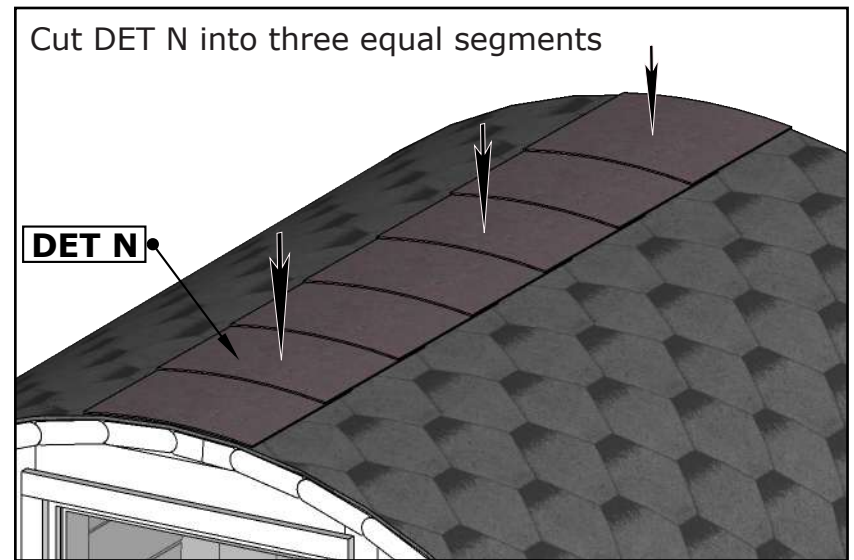
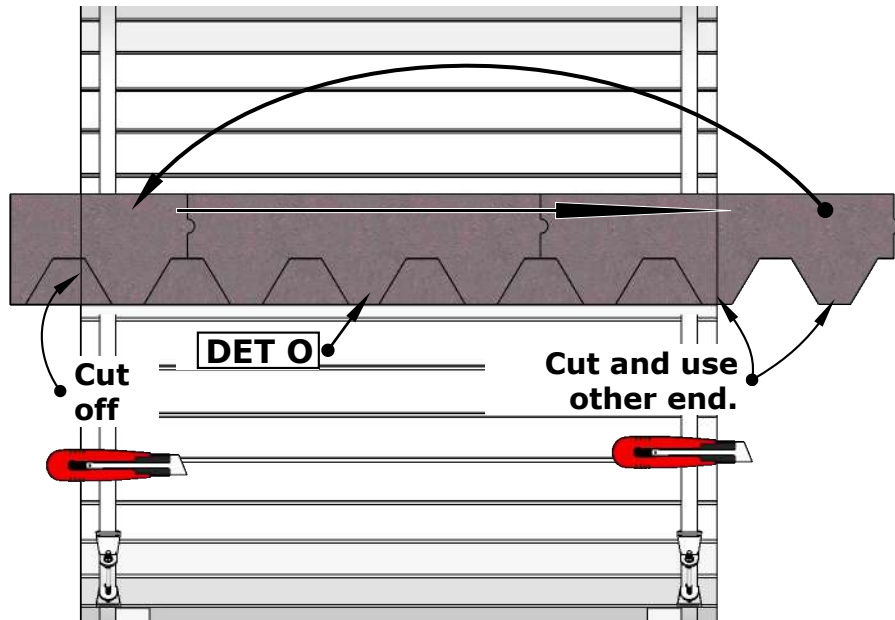
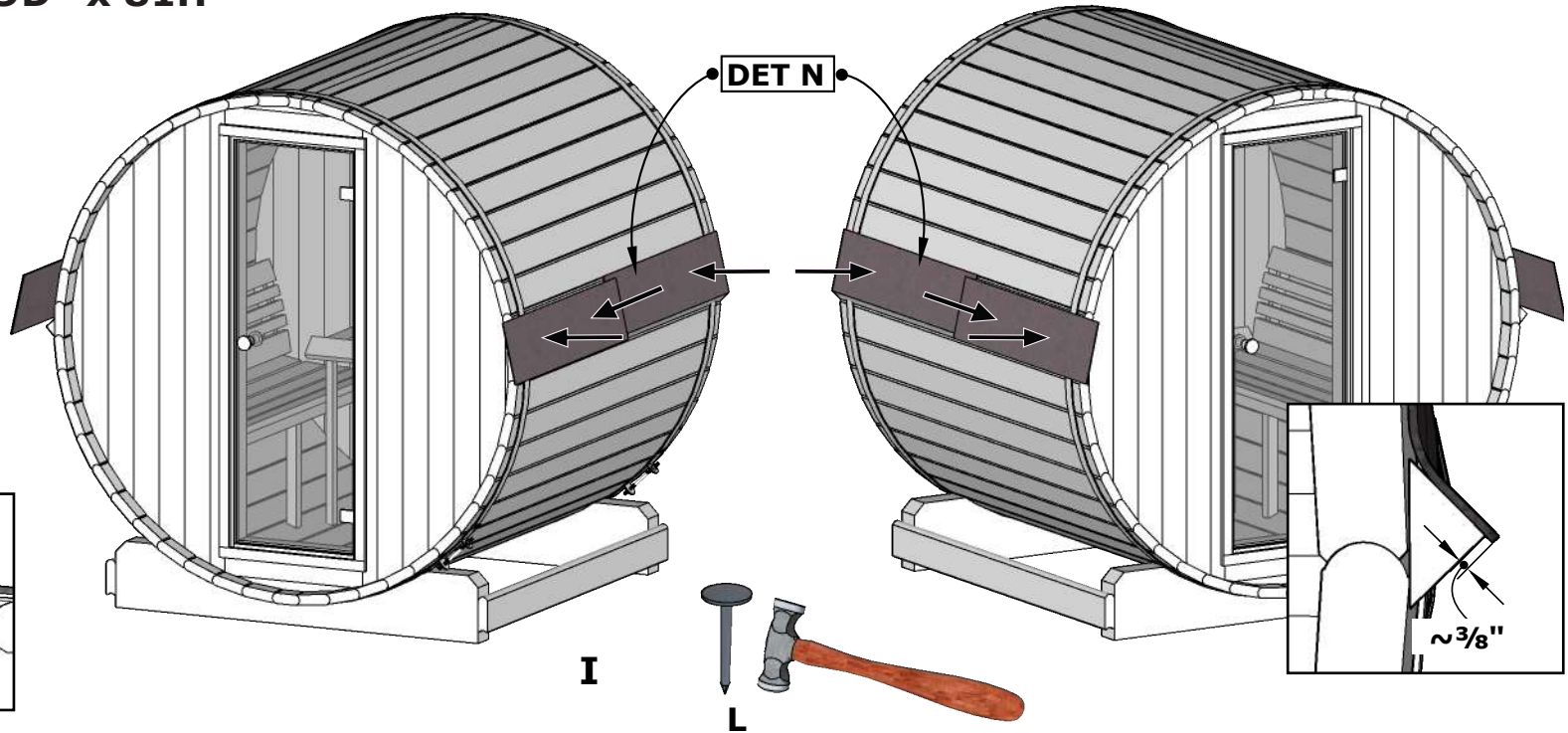
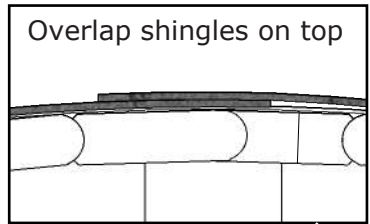
E6 Barrel Sauna 59D" x 81H"

X= Front wall thickness
 Wooden front wall 1 1/8"
 Glass front wall 1 5/8"



E6 Barrel Sauna 59D" x 81H"

See the installation manual inside the shingles package



E6 Barrel Sauna 59D" x 81H"

