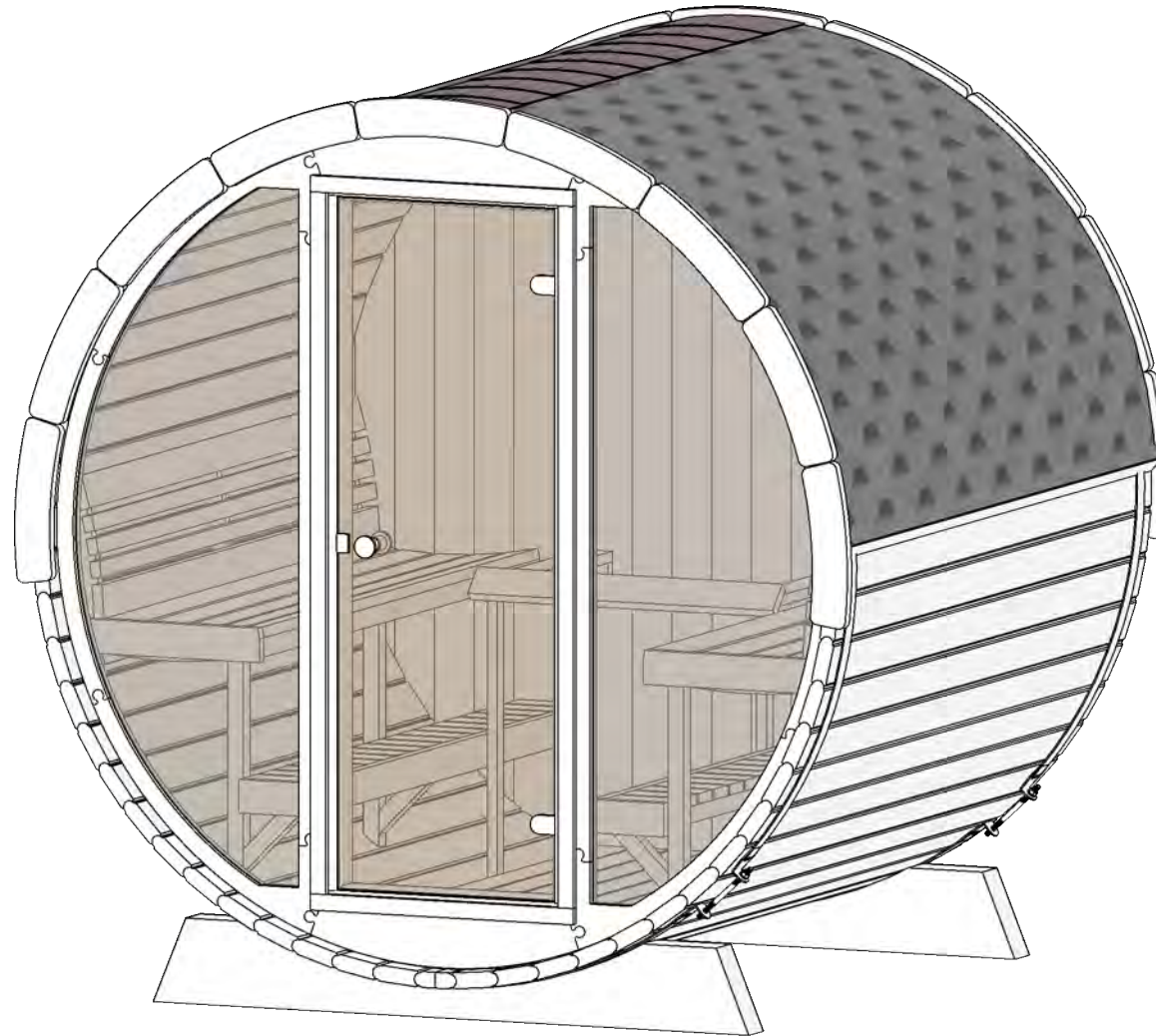




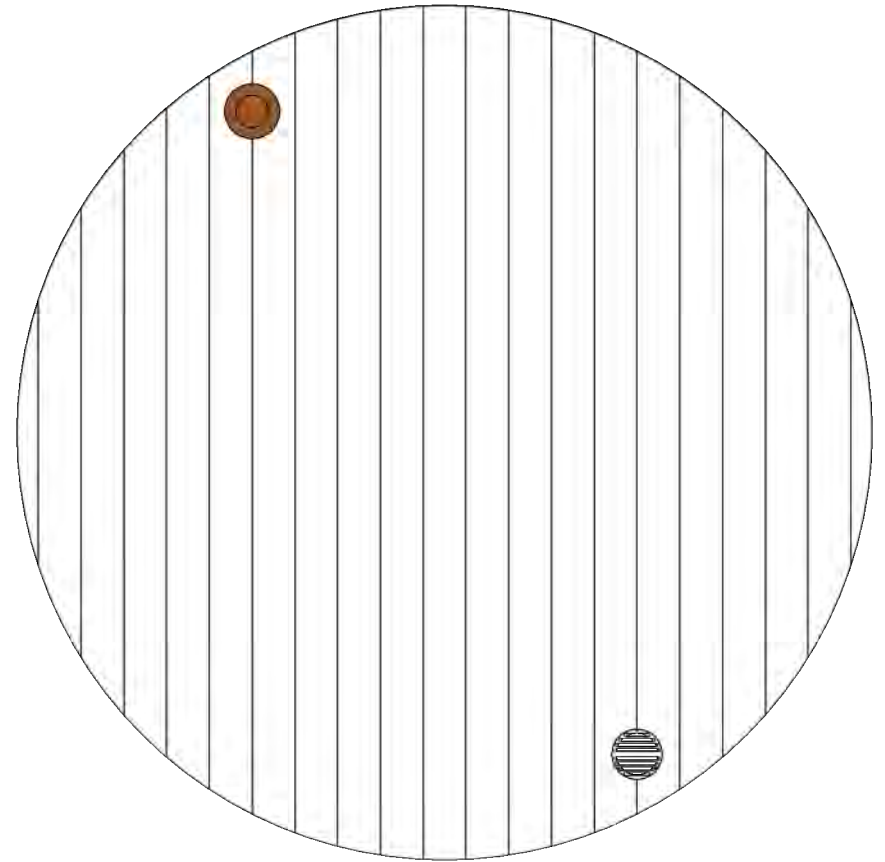
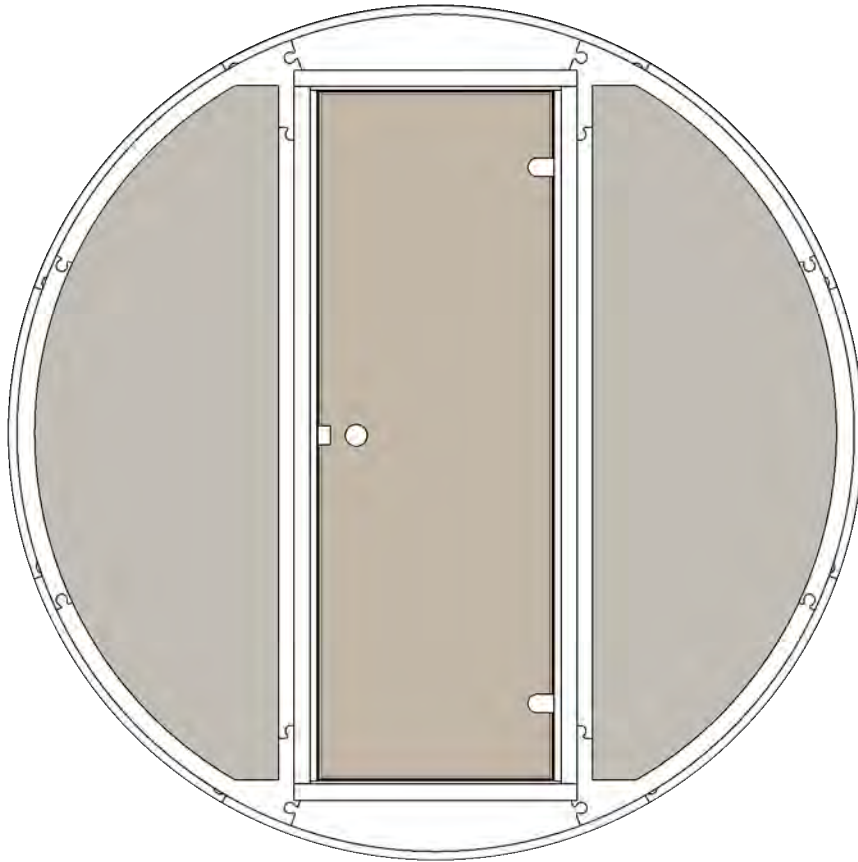
Ergo-Series EE8G Barrel Sauna  
Full Glass Front 79D" x 90H"



**Note: Please read manual before construction**

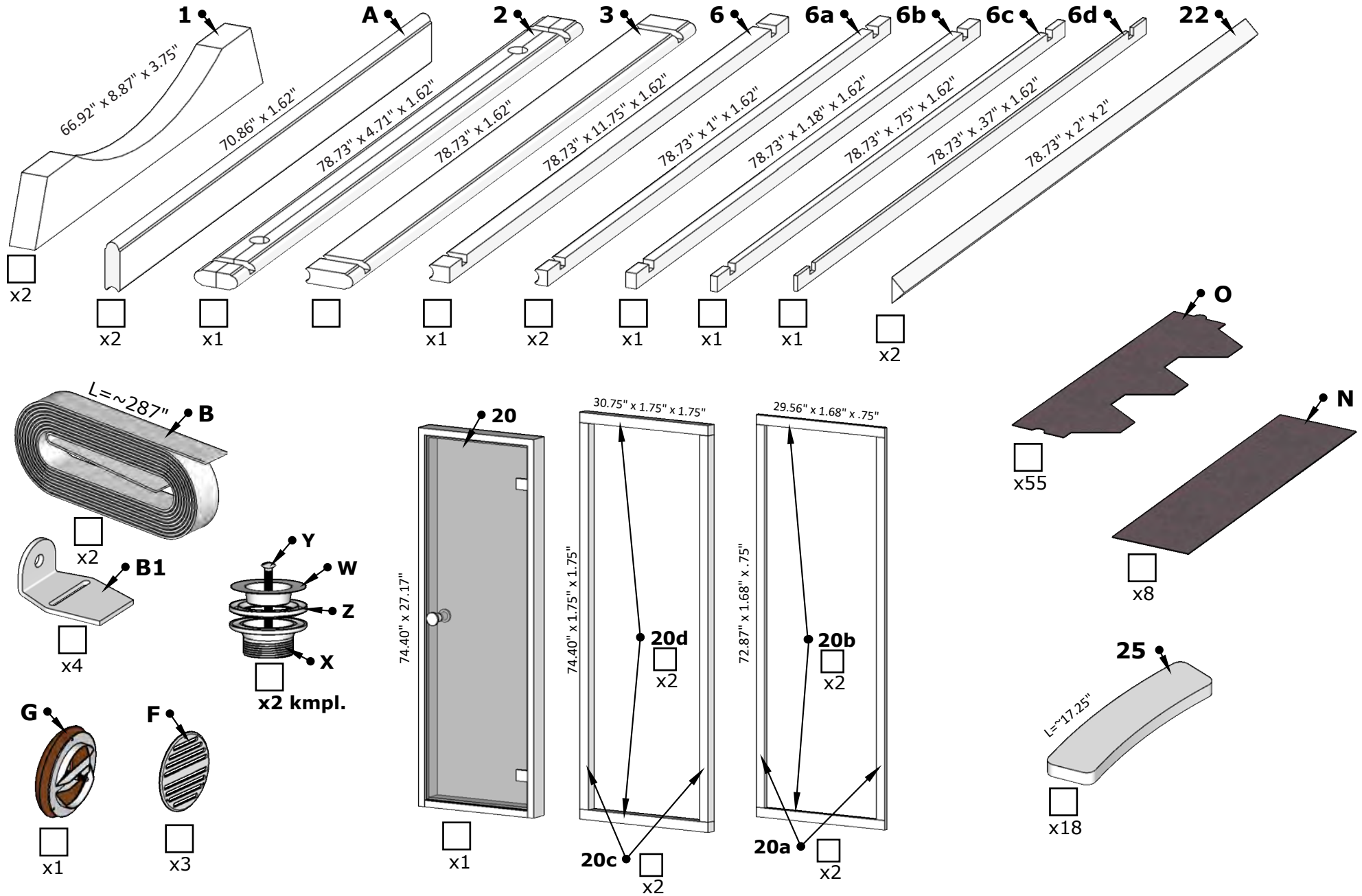
Rev: (1.0)7/2023

# Front & Back Walls



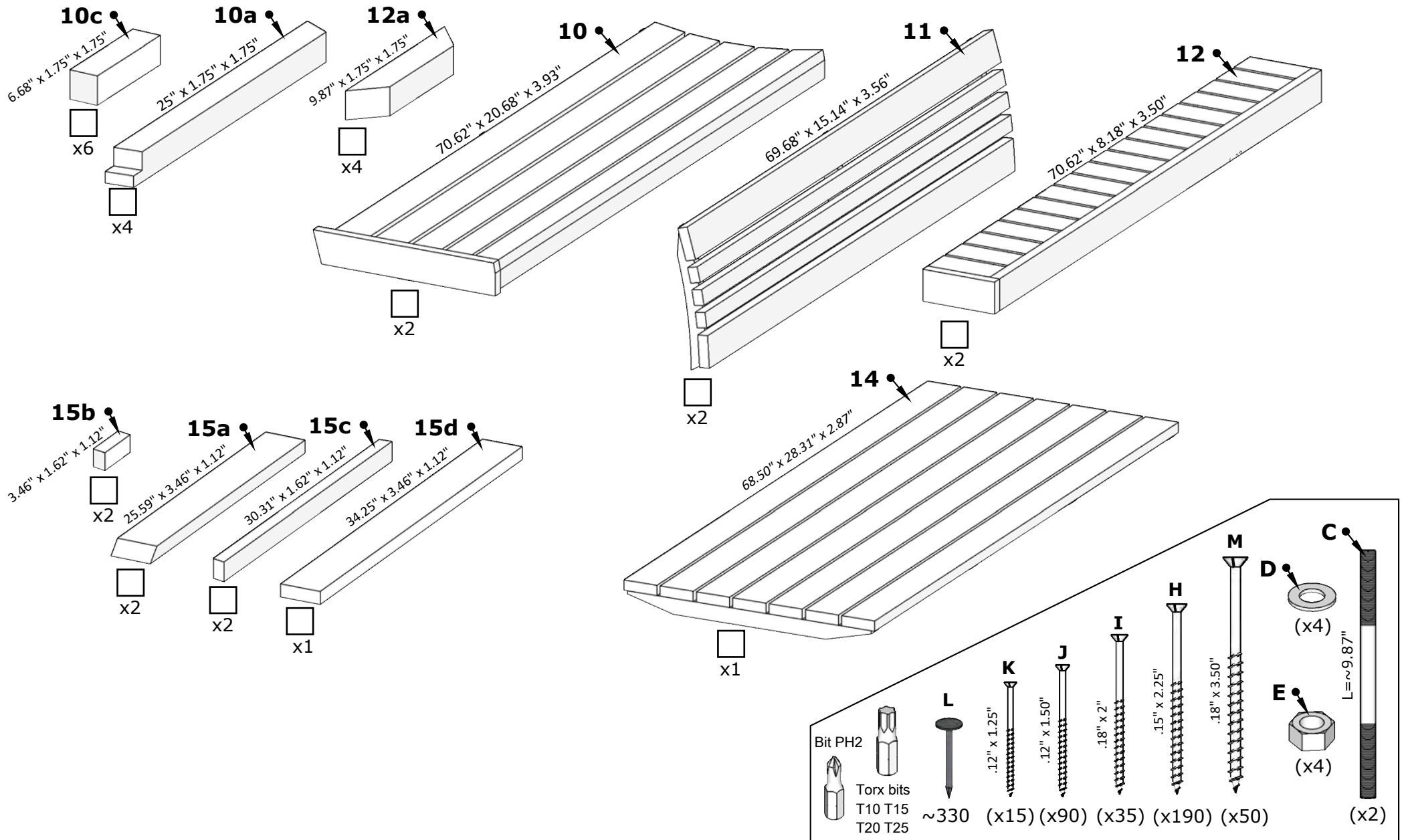
# EE8G Barrel Sauna 79D" x 90H"

## Details list. 1

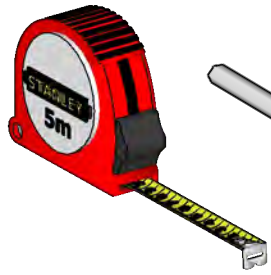


# EE8G Barrel Sauna 79D" x 90H"

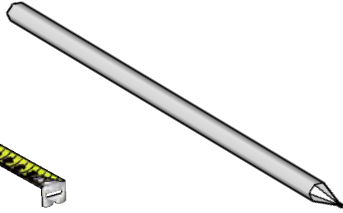
## Details list. 2



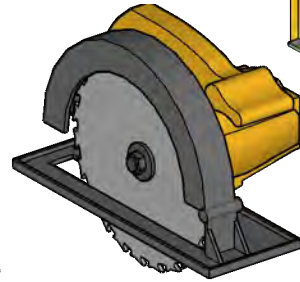
# Tools needed



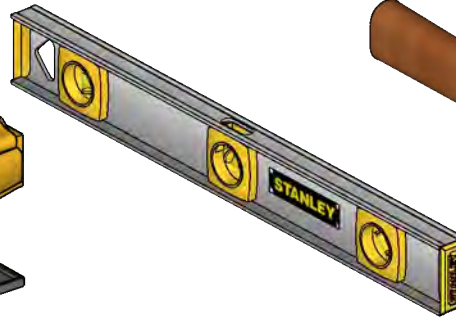
Measuring tape



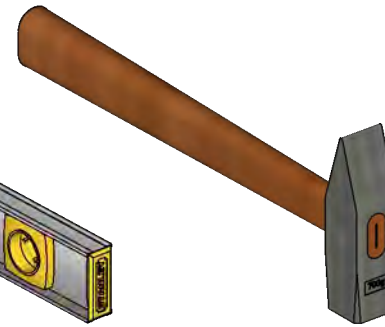
Marker pen



Circular saw



Water level



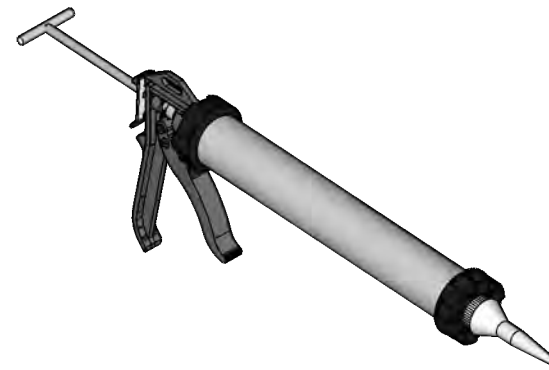
Hammer



Extra hands



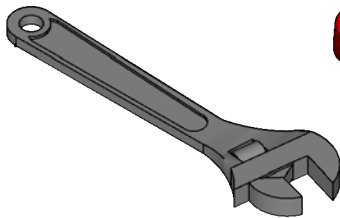
Ratchet strap



Silicone gun  
(Only glass-wall models)



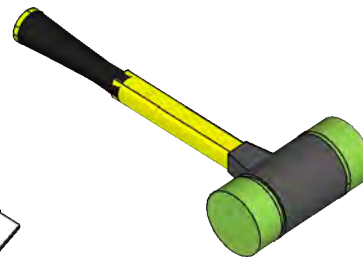
Drill



Crescent wrench

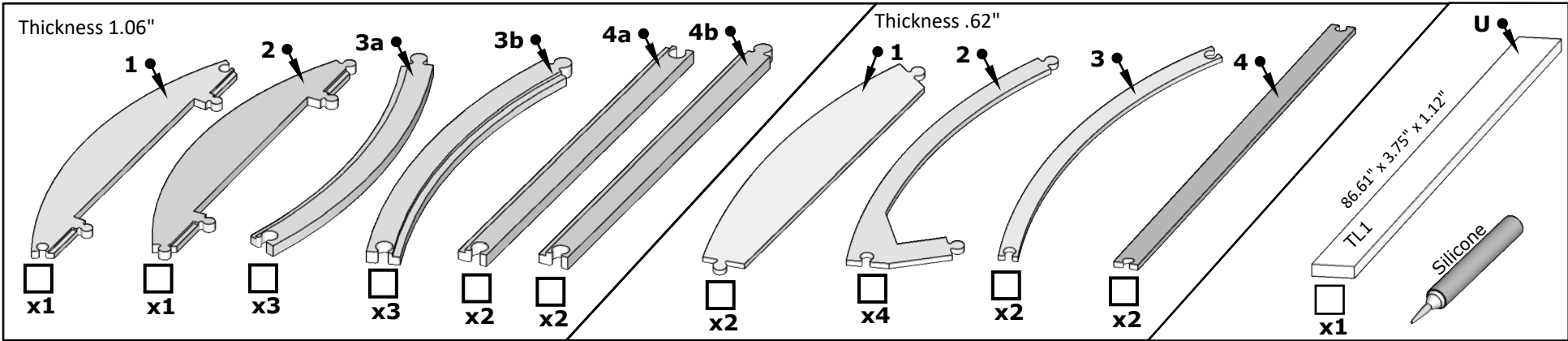


Utility knife

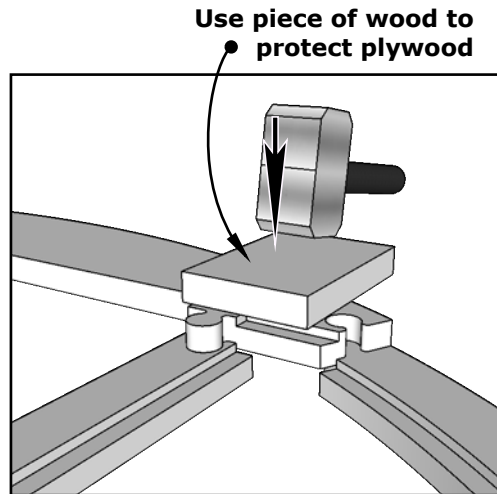
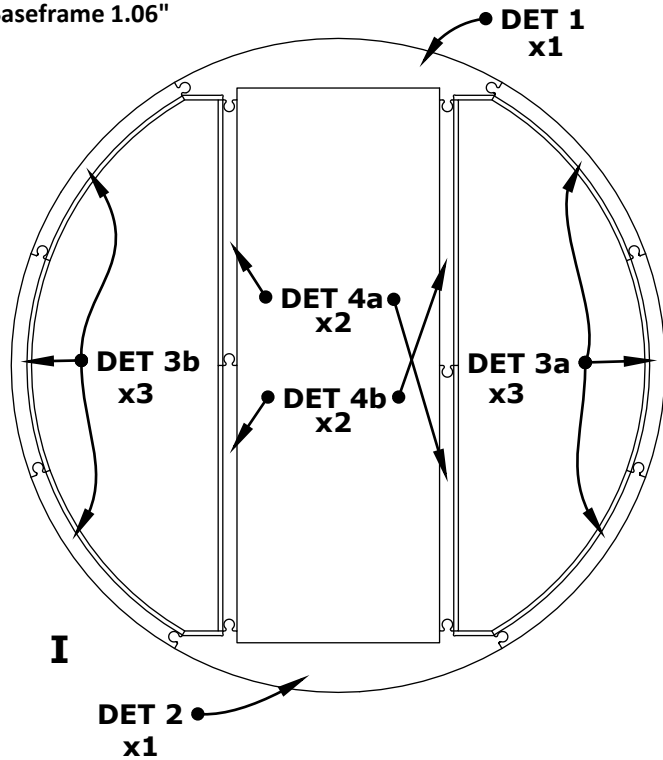


Rubber mallet

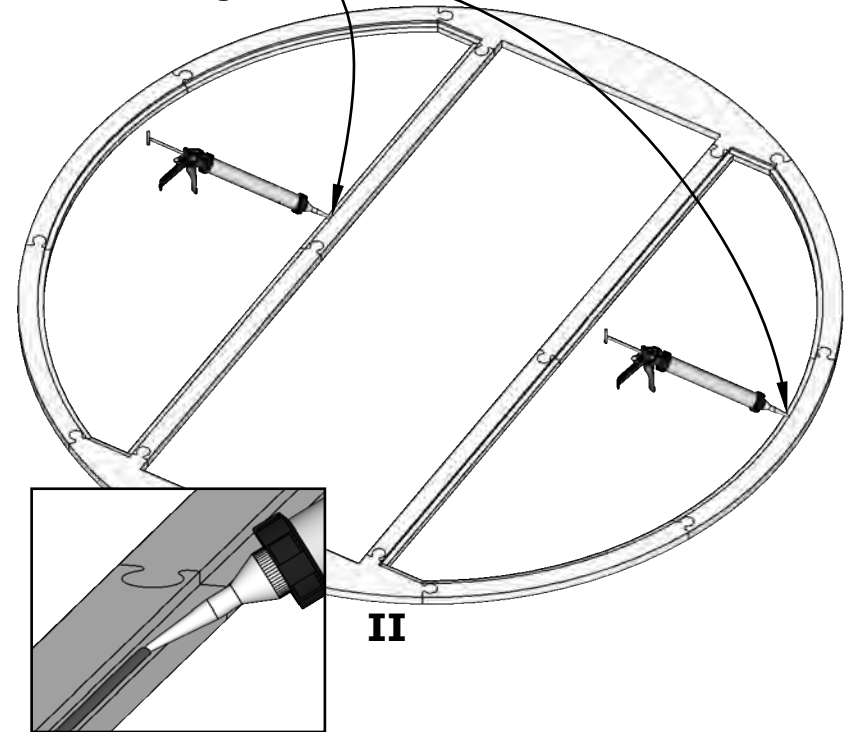
# Front glass wall installation



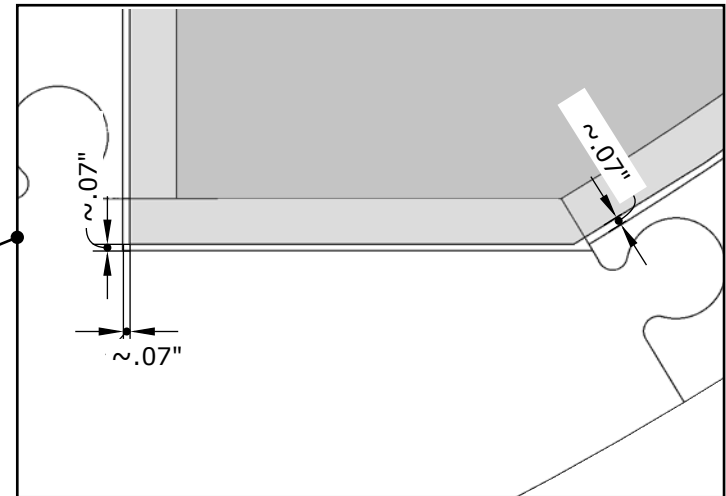
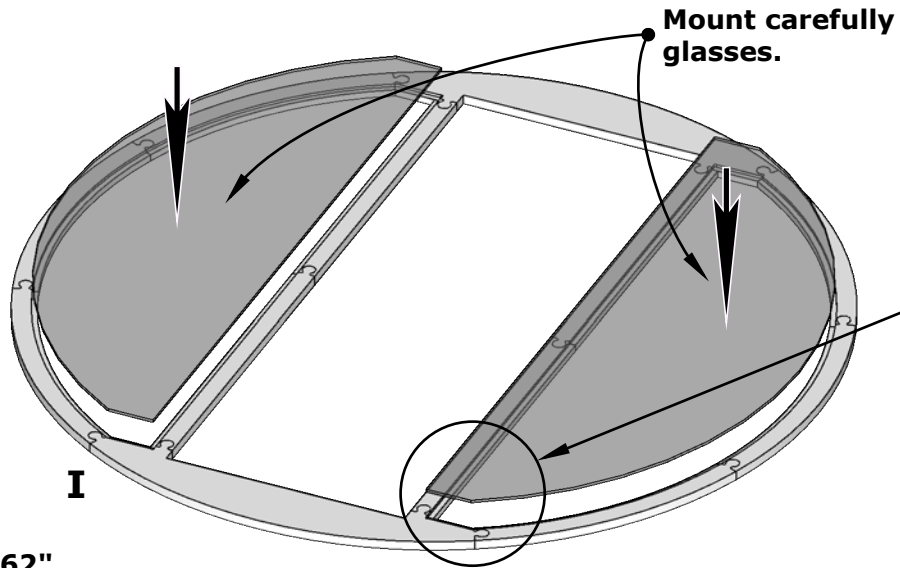
## Baseframe 1.06"



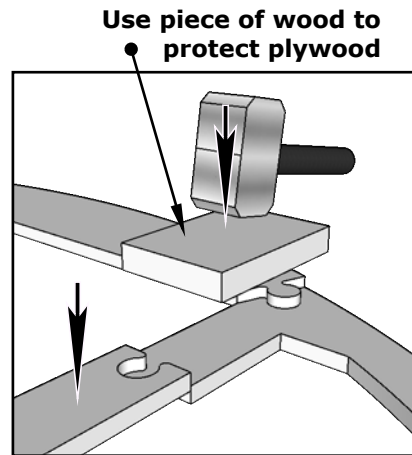
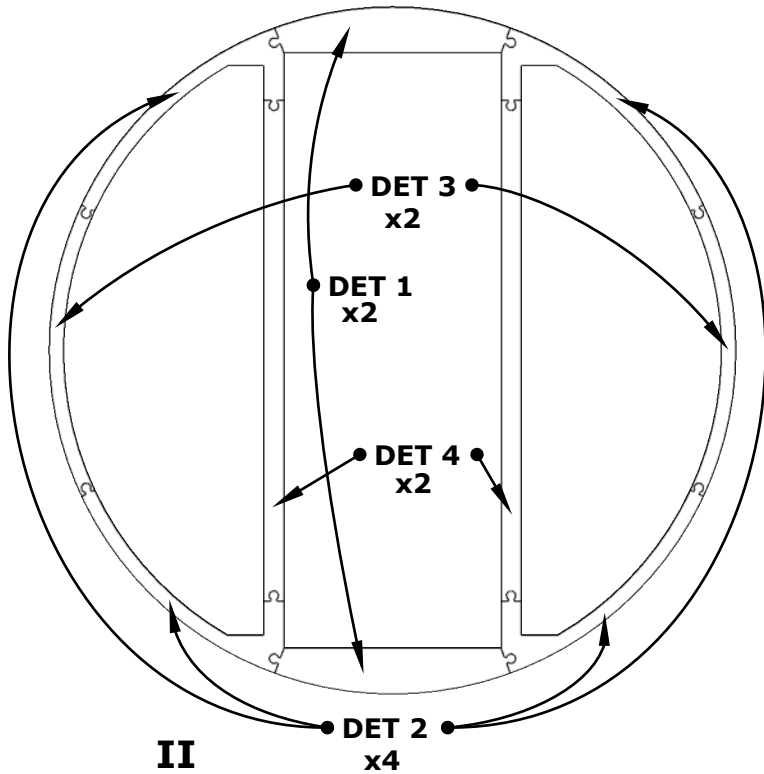
## Apply waterproof silicone to the groove



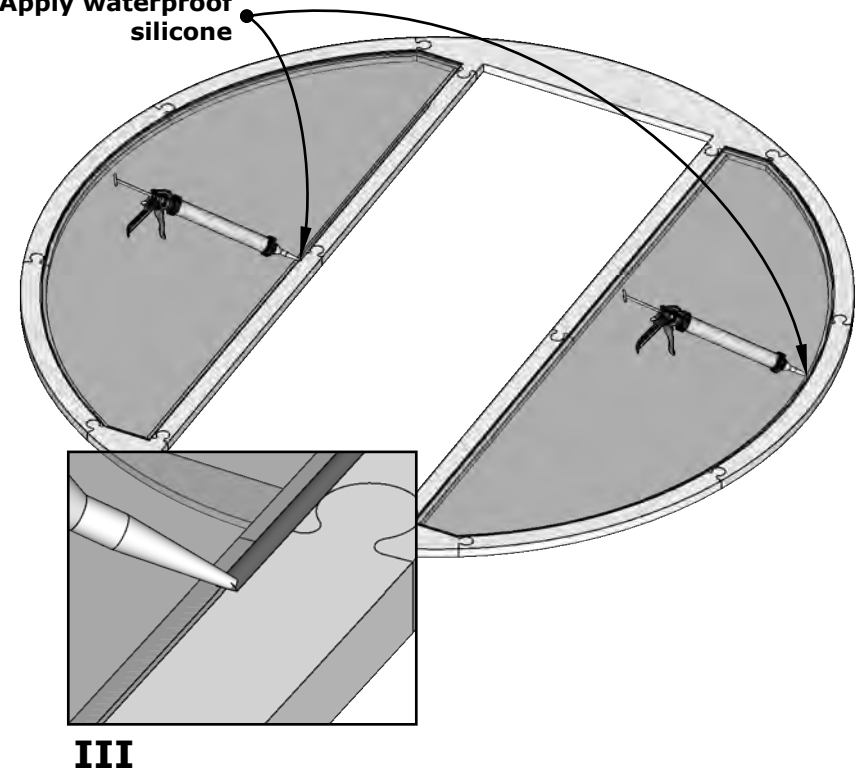
# Front glass wall installation



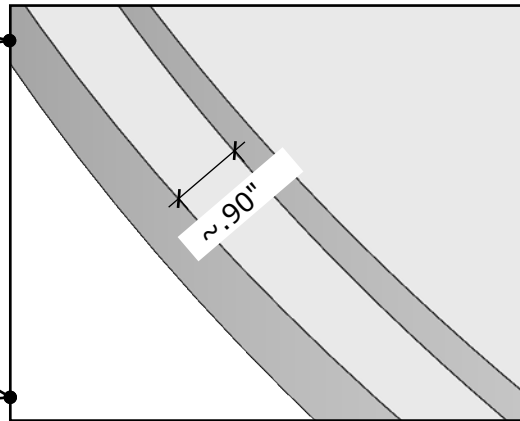
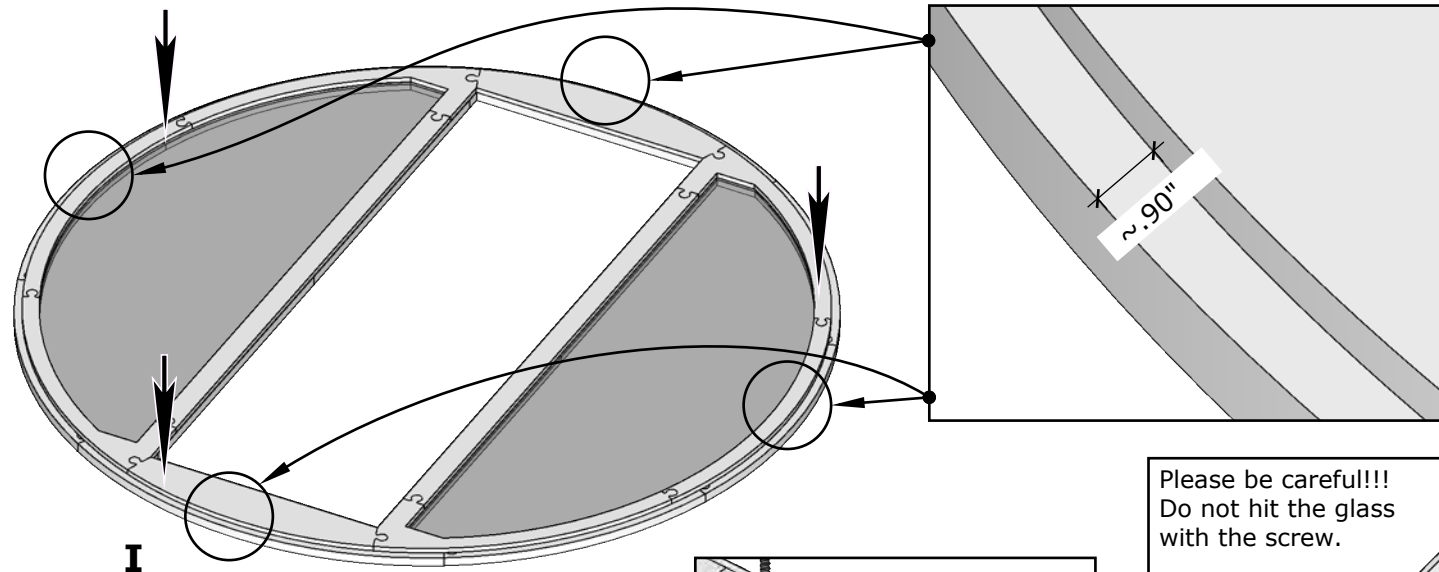
Coverframe .62"



Apply waterproof silicone



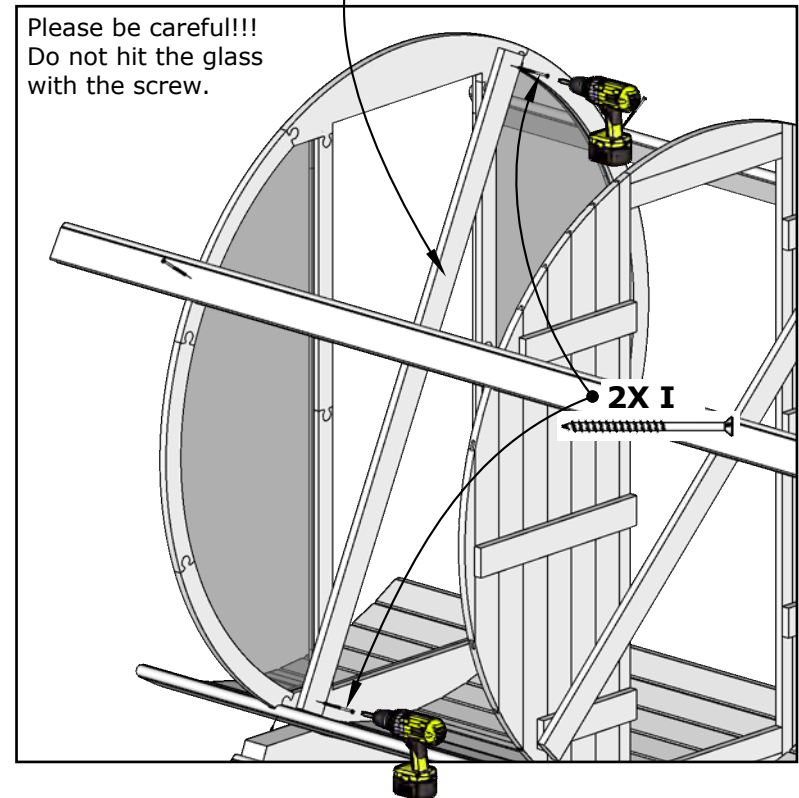
# Front glass wall installation



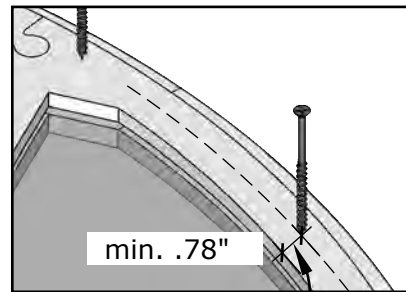
### DET U

- Fix it diagonally to make wall more rigid during the installation.

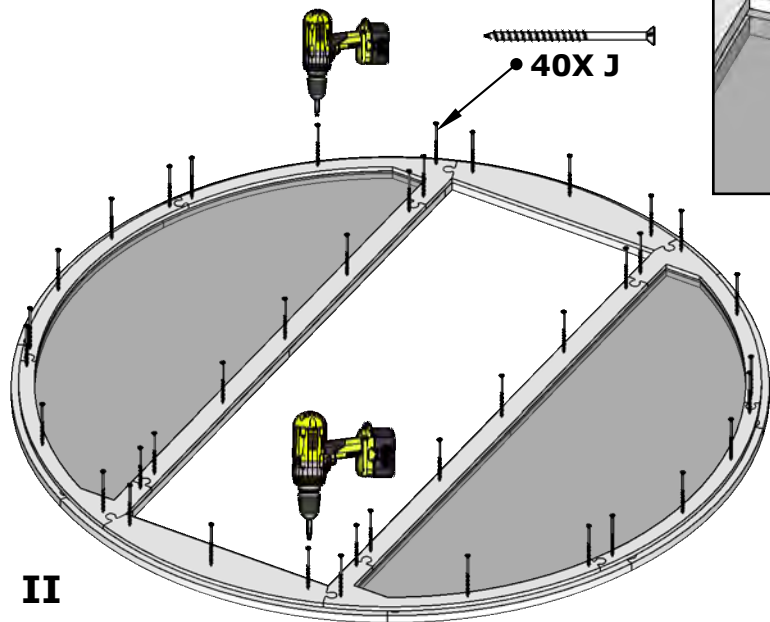
I



III



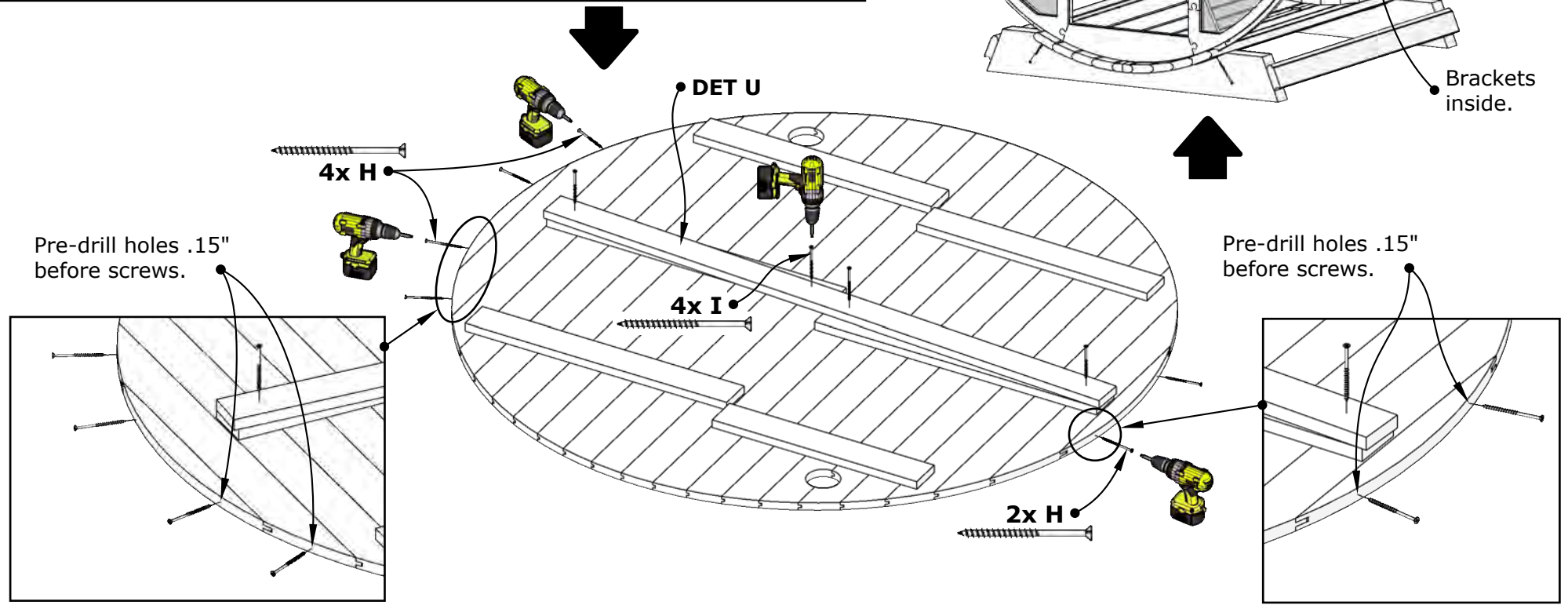
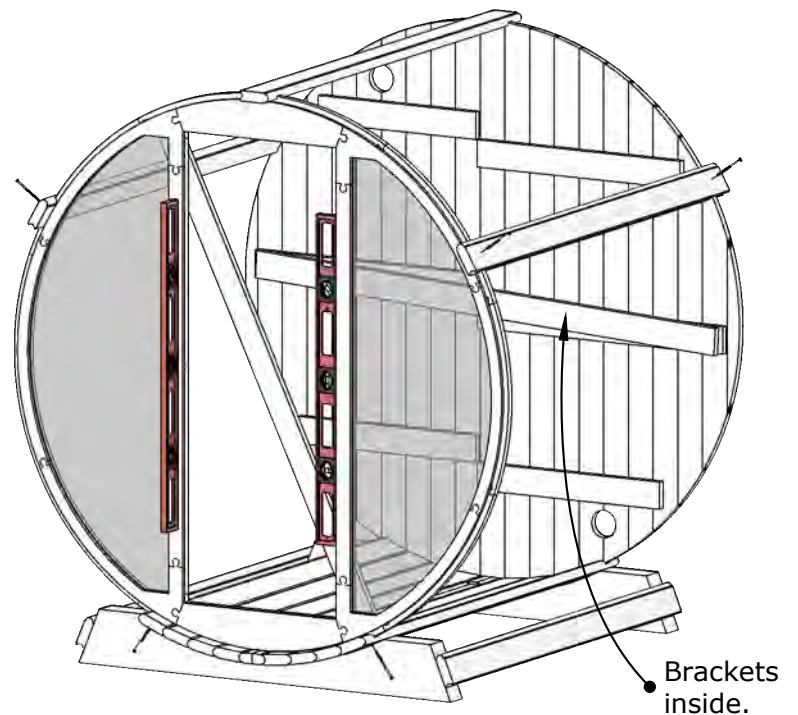
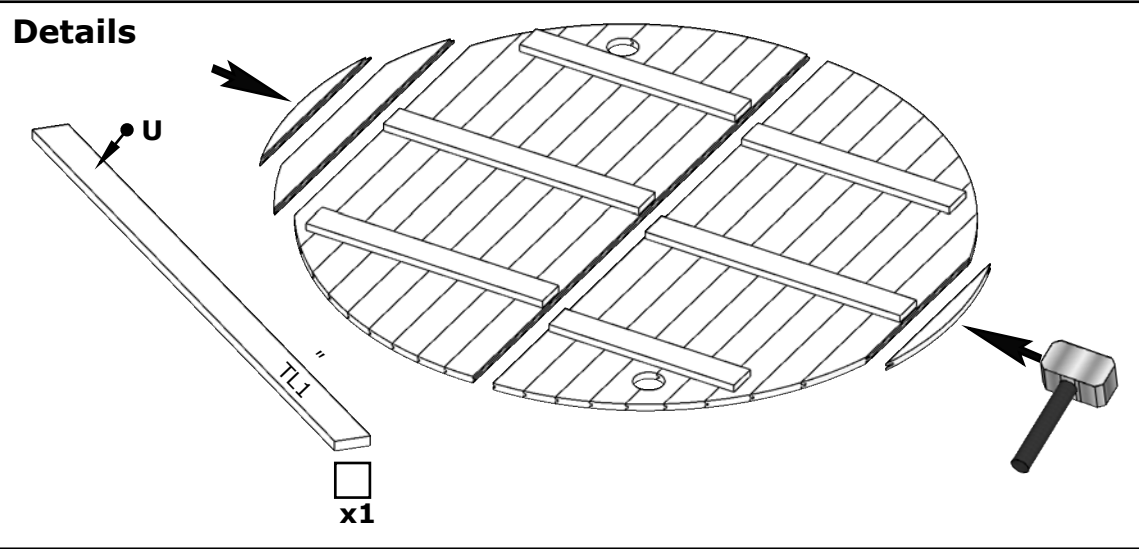
Please be careful!!!  
Do not hit the glass  
with the screw.

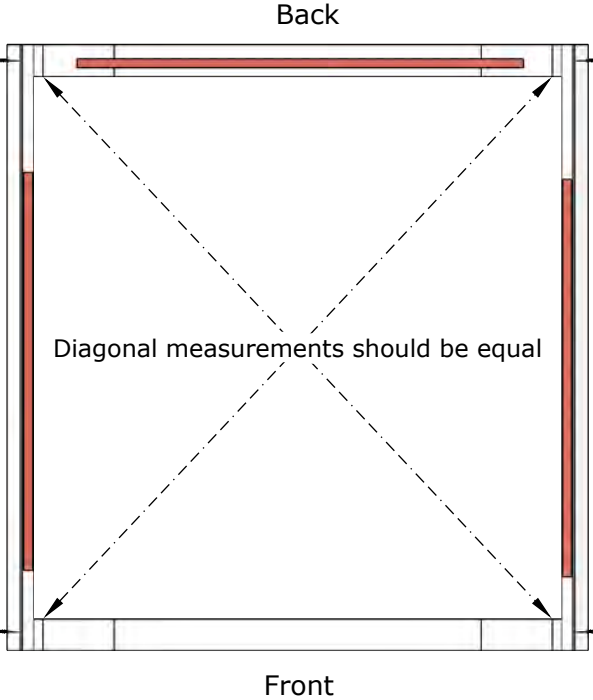
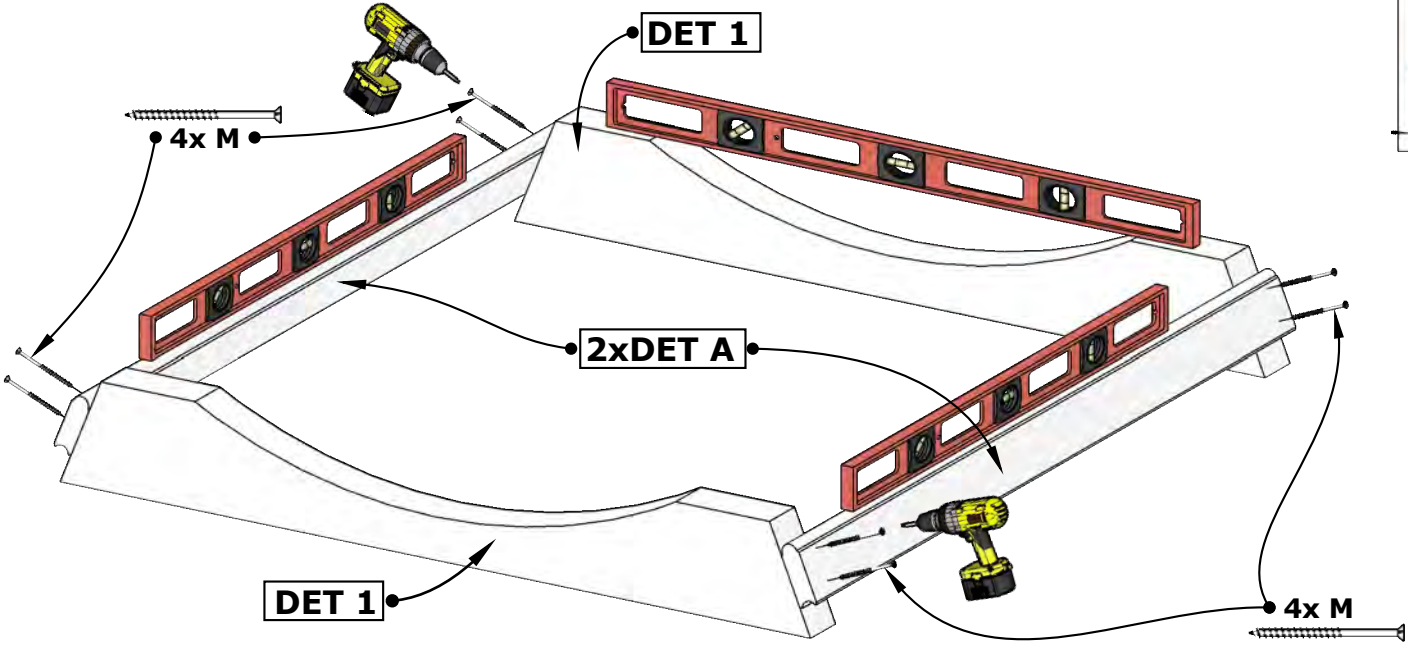


II

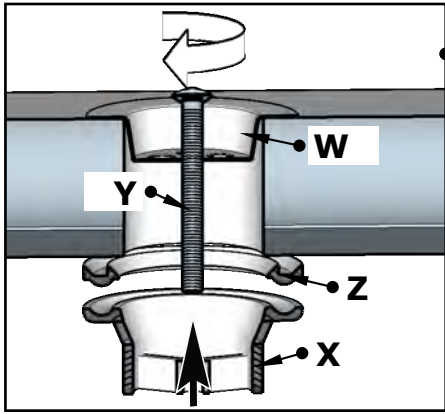


# Wooden back wall assembly

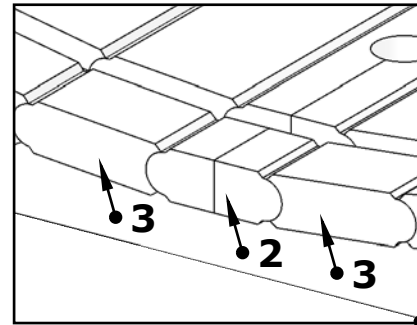
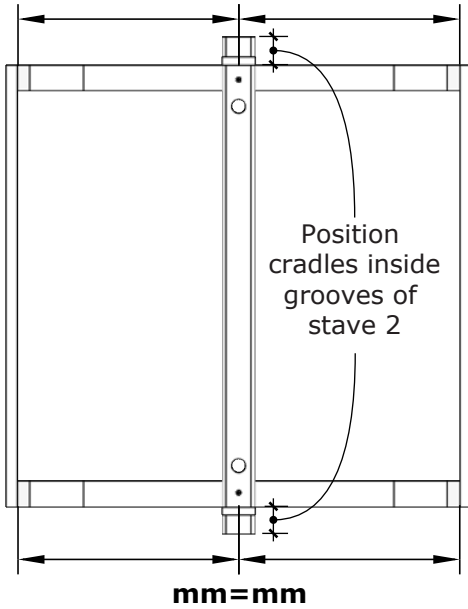
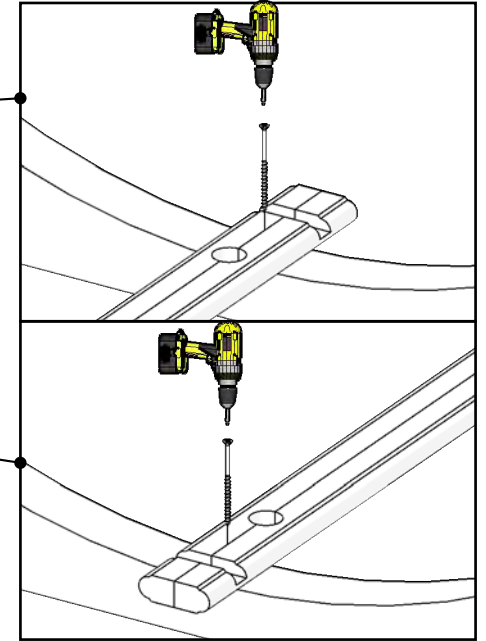
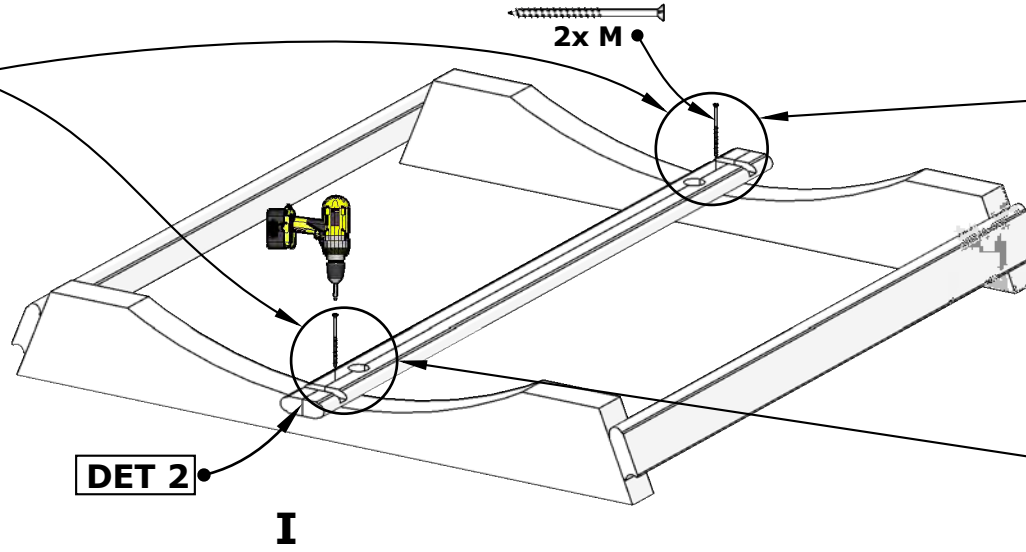




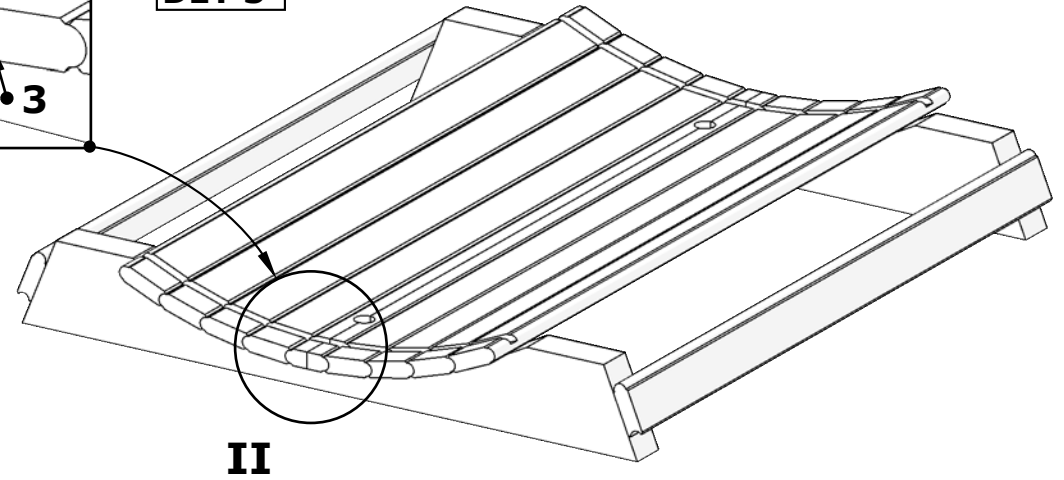
# EE8G Barrel Sauna 79D" x 90H"

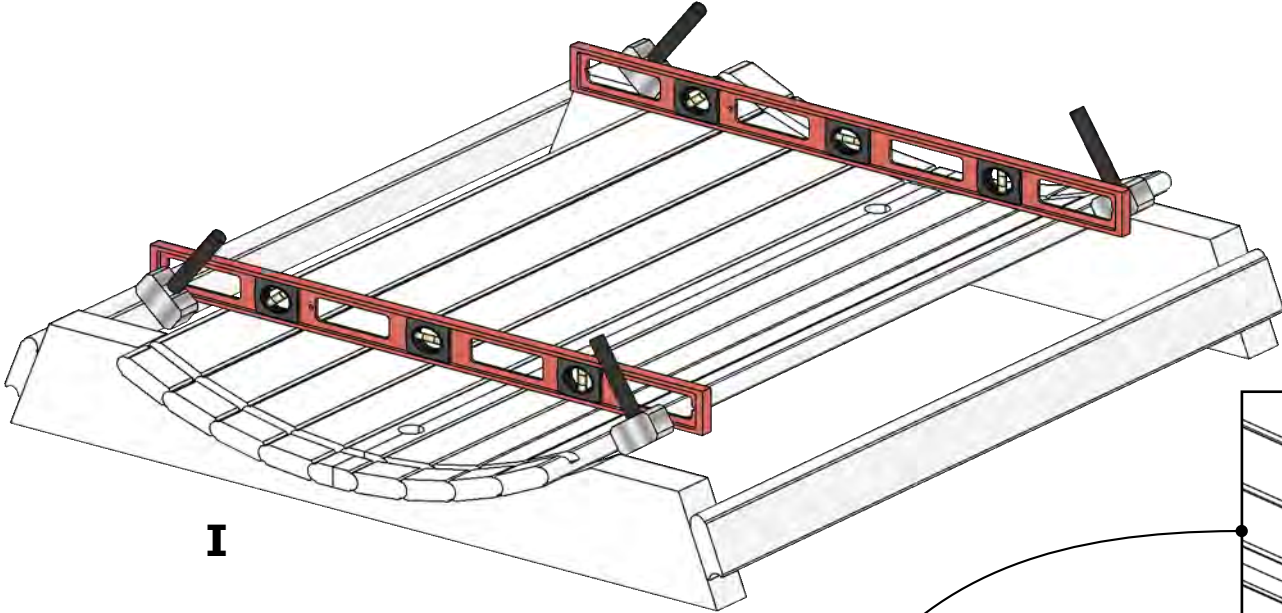


Center stave 2 on cradle 1

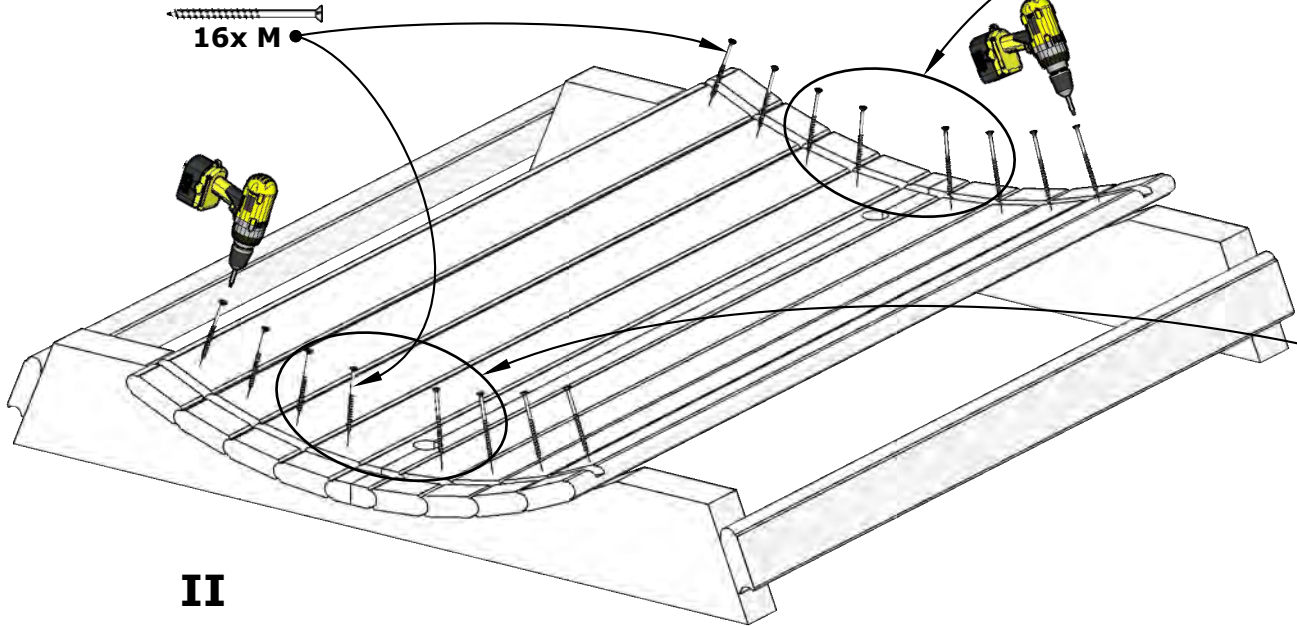


DET 3

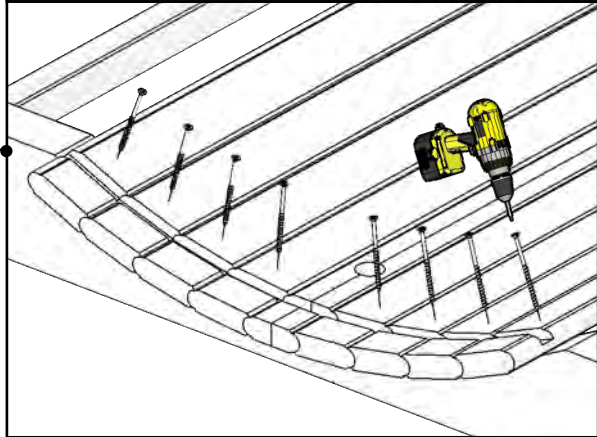
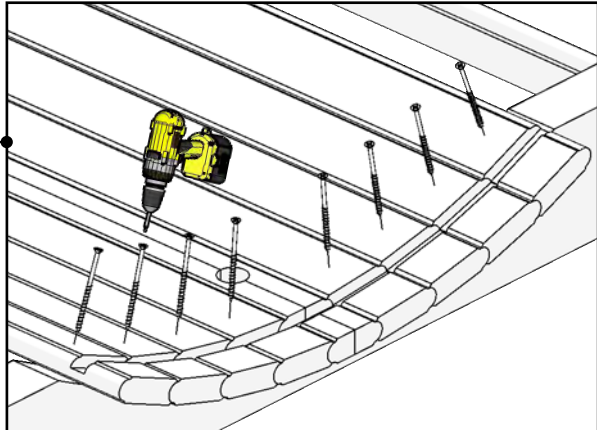




I

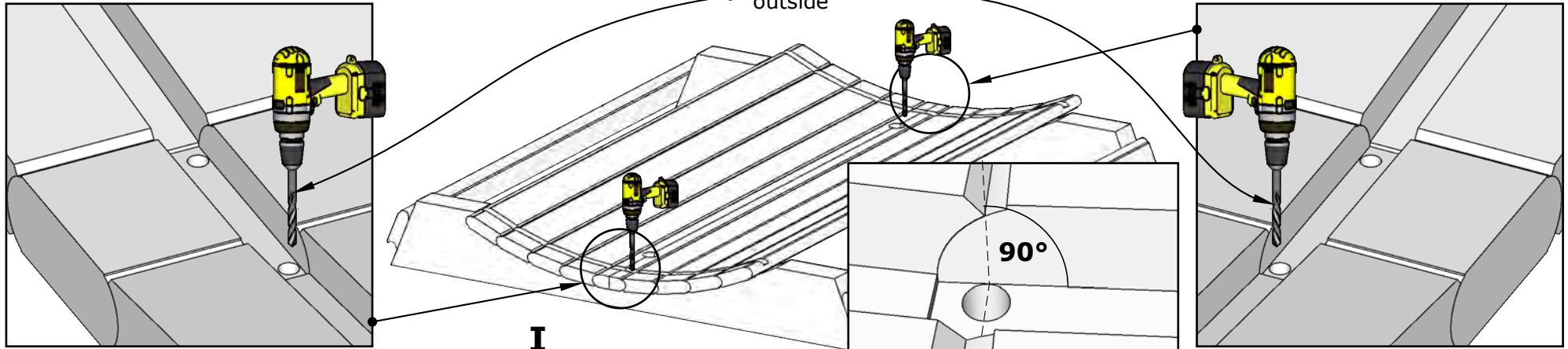


II



# EE8G Barrel Sauna 79D" x 90H"

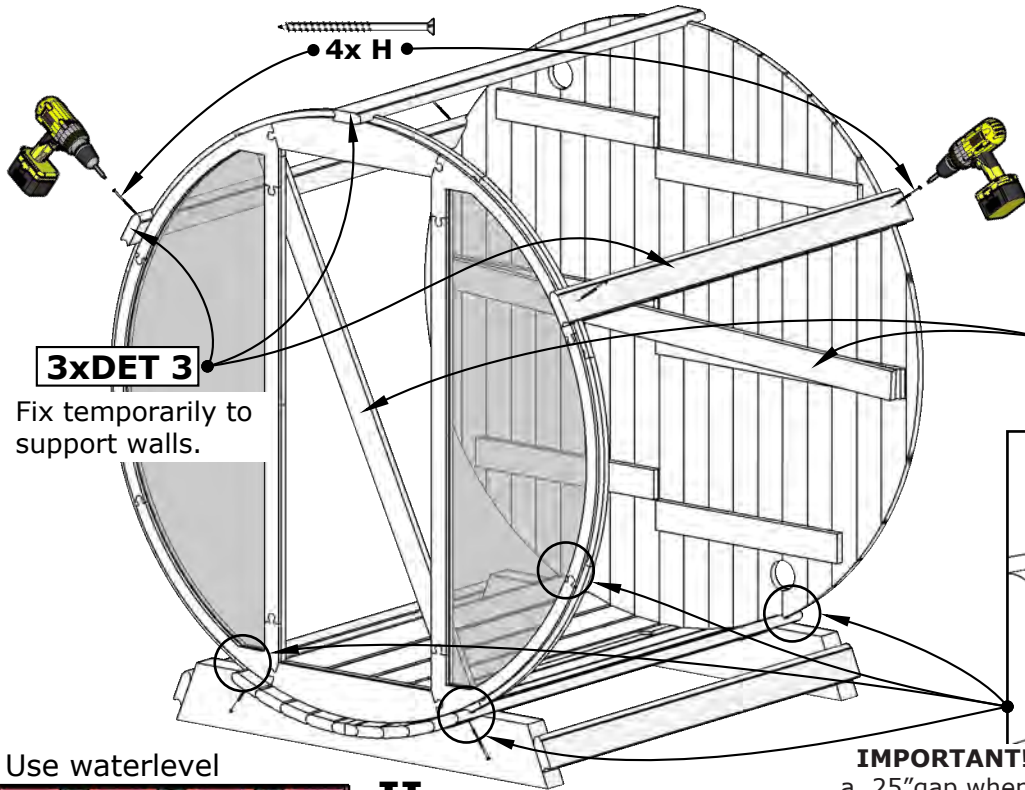
Drill 4 holes .50" through DET 2 outside



I

Check walls installation manual on extra pages!

Sauna wall configuration depends on Your model!



3xDET 3

Fix temporarily to support walls.

4x H

Brackets inside

Use waterlevel

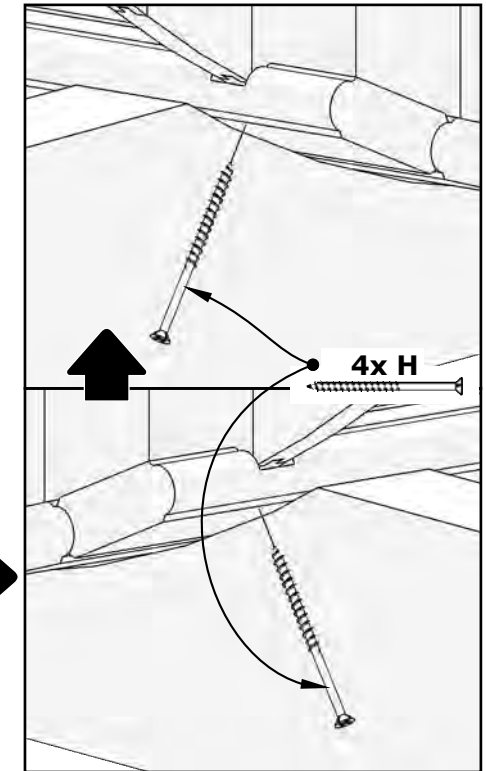


II

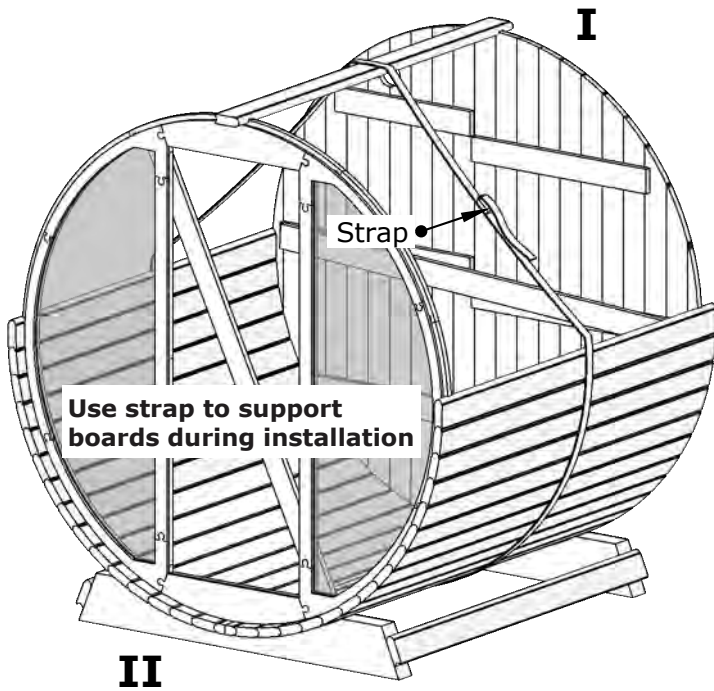
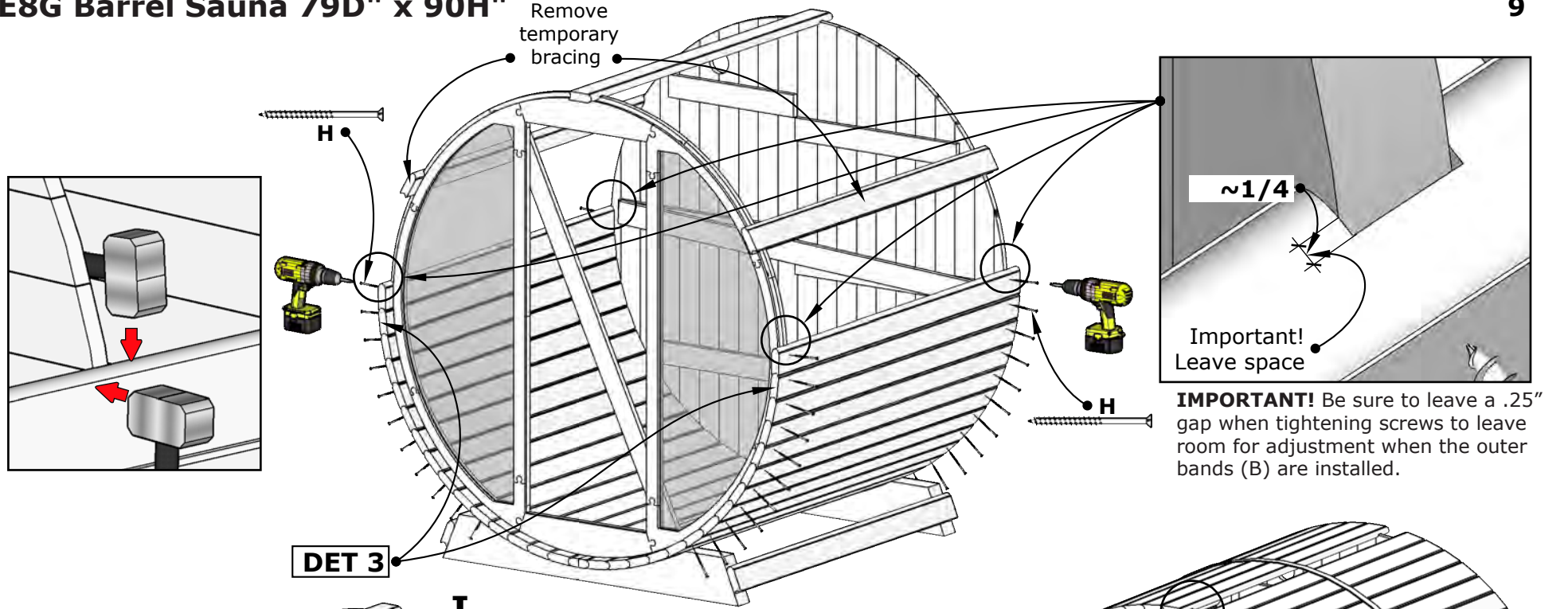
**IMPORTANT!** Be sure to leave a .25" gap when tightening screws to leave room for adjustment when the outer bands (B) are installed.

~.25"

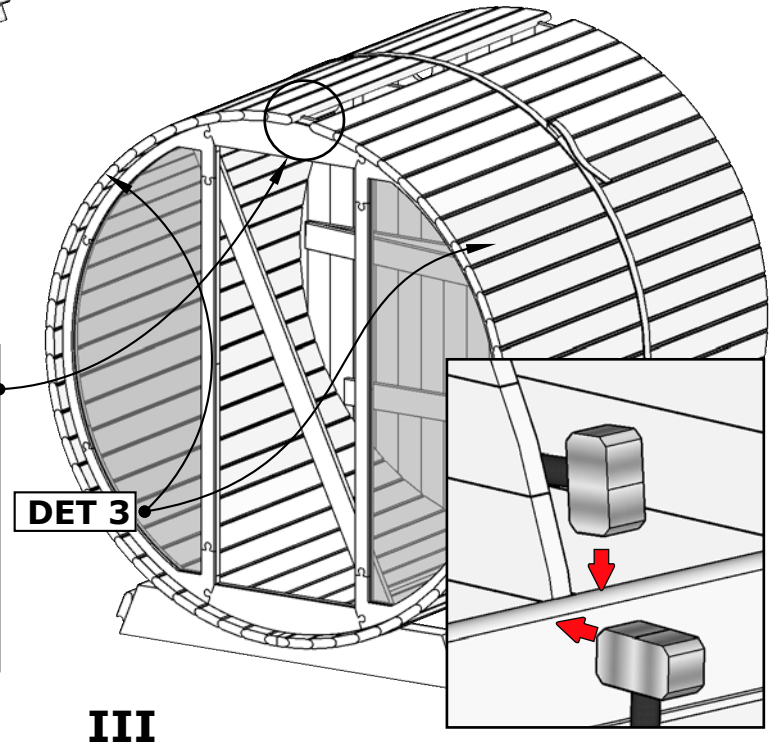
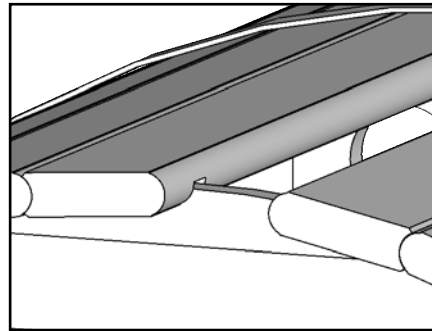
4x H



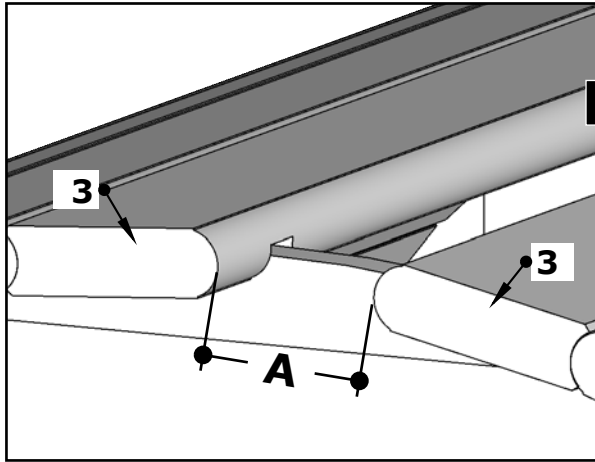
# EE8G Barrel Sauna 79D" x 90H"



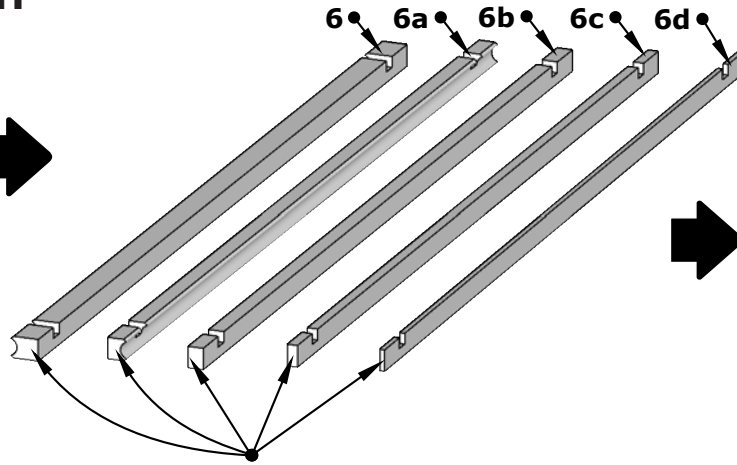
See the next page.



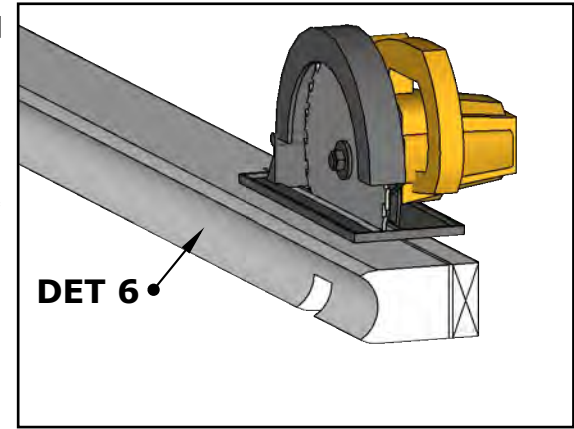
# EE8G Barrel Sauna 79D" x 90H"



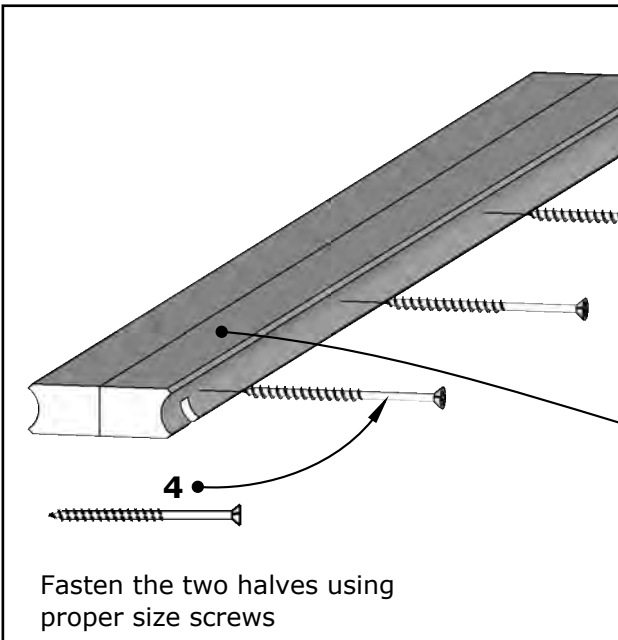
I



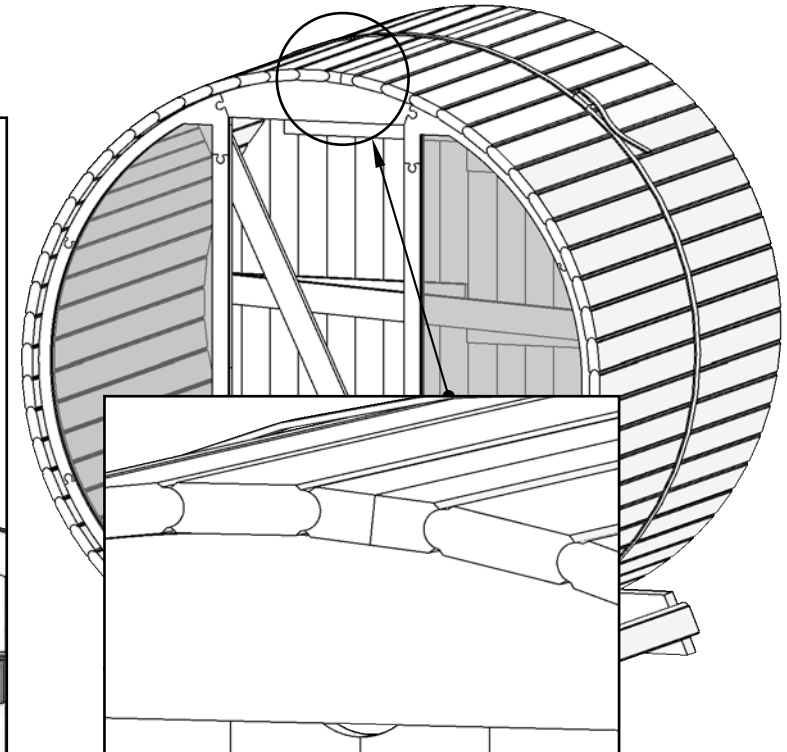
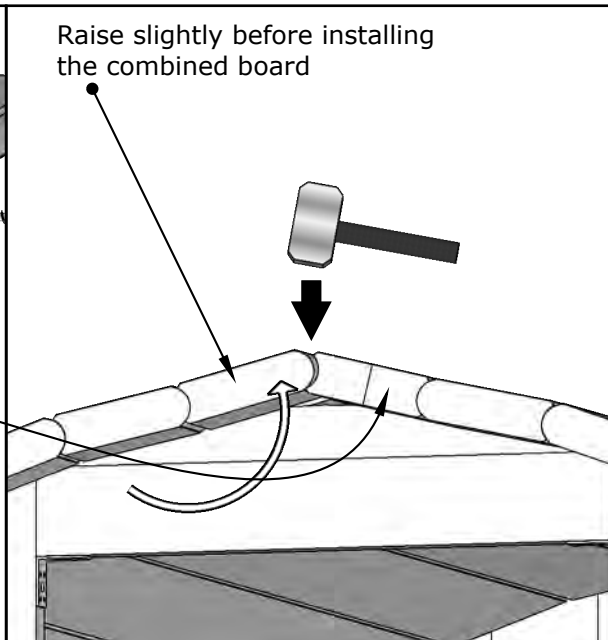
Join two boards together (as shown in diagram II) that will bridge the width of the "A" gap. It is recommended that the combined boards are approximately .25" wider than the gap.



If needed, trim the flat edge of the board to create the desired width.



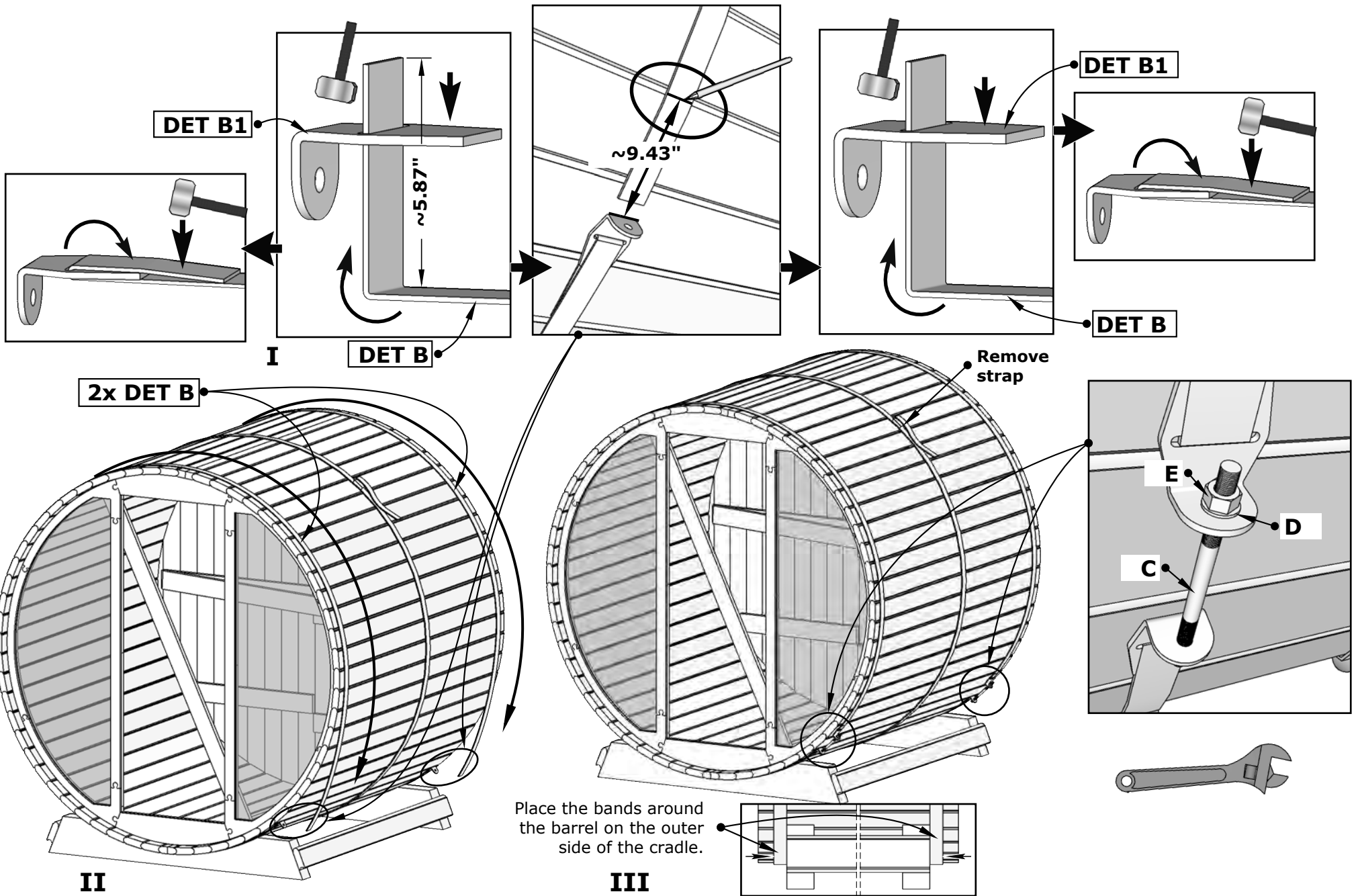
II



III

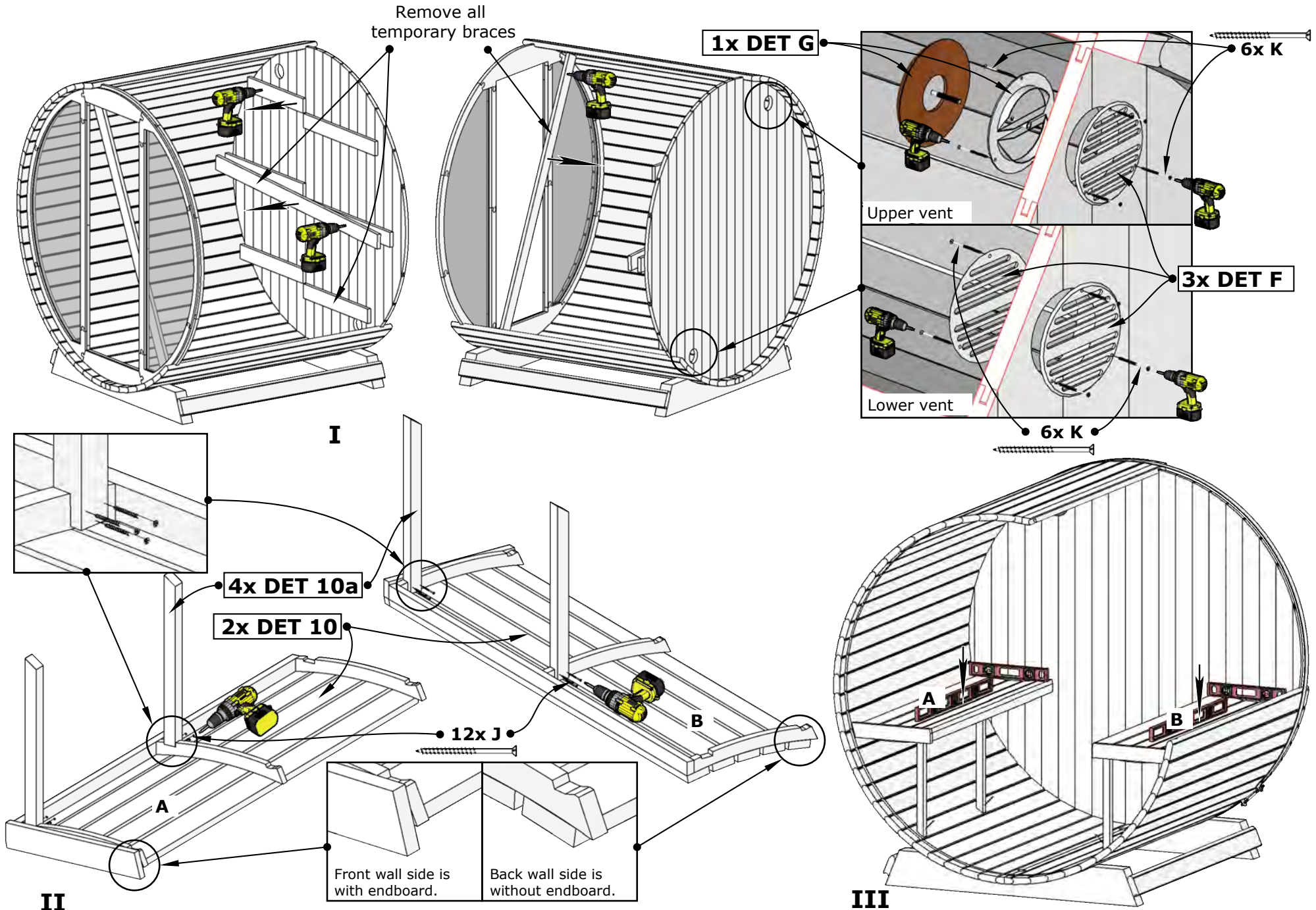
Fasten the two halves using proper size screws

Raise slightly before installing the combined board



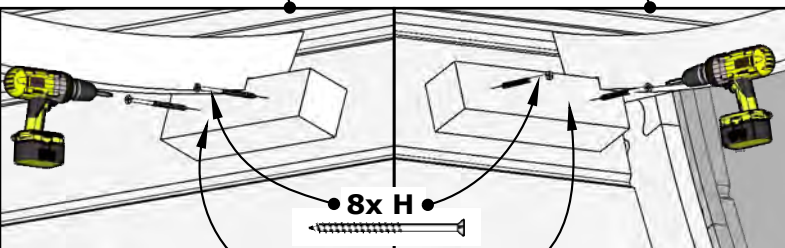
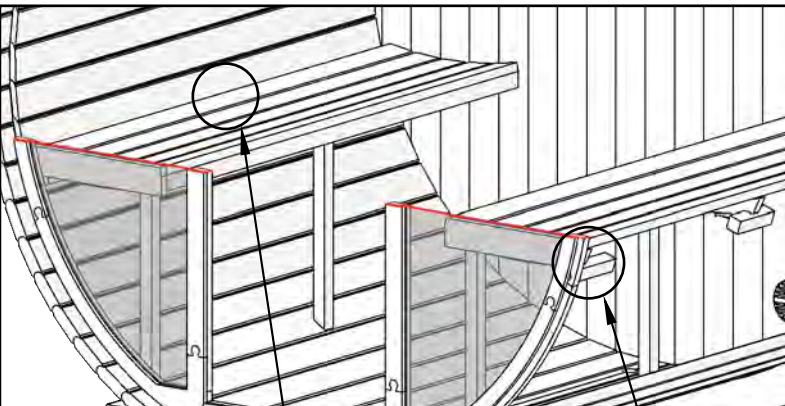
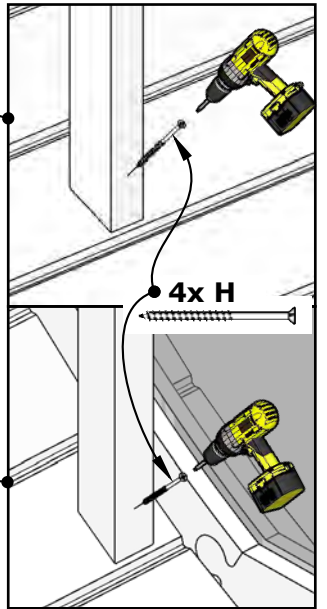
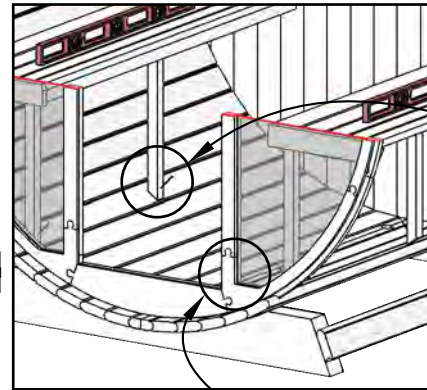
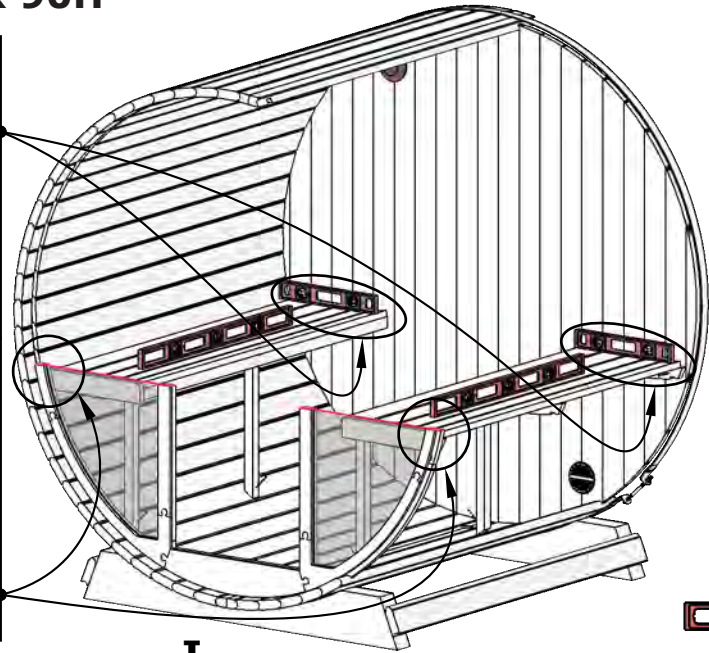
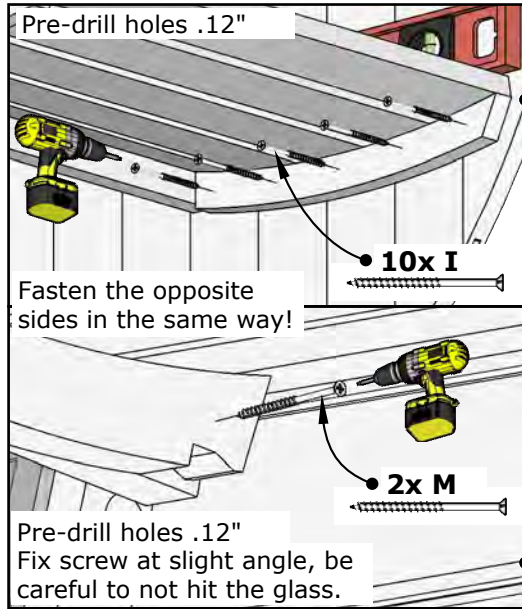


# EE8G Barrel Sauna 79D" x 90H"

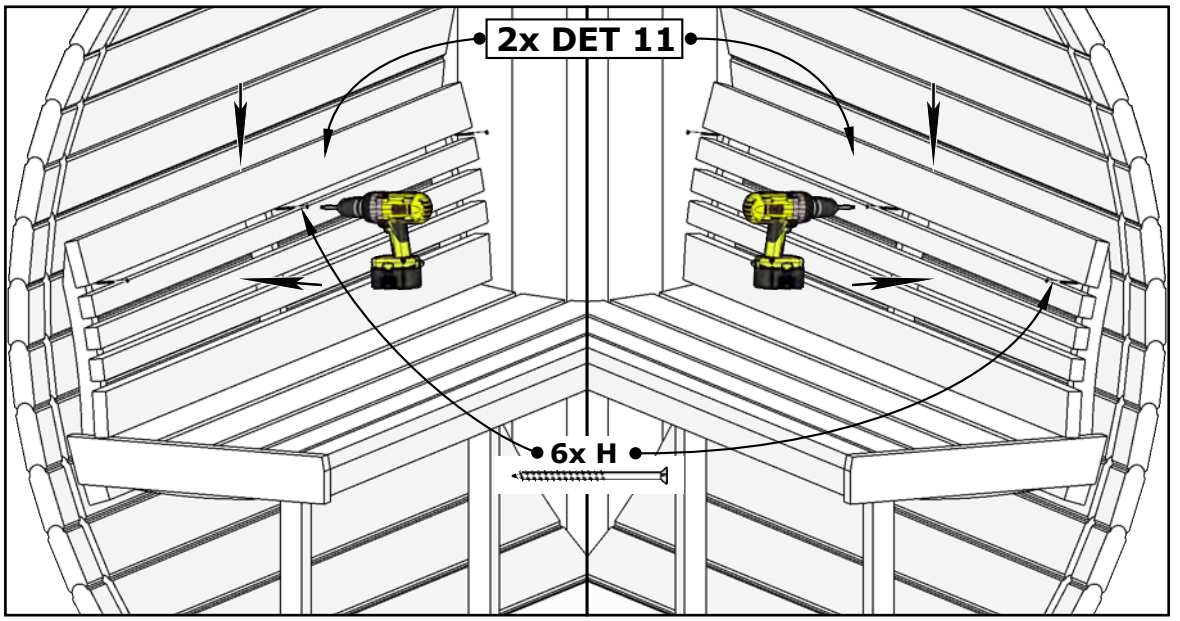


# EE8G Barrel Sauna 79D" x 90H"

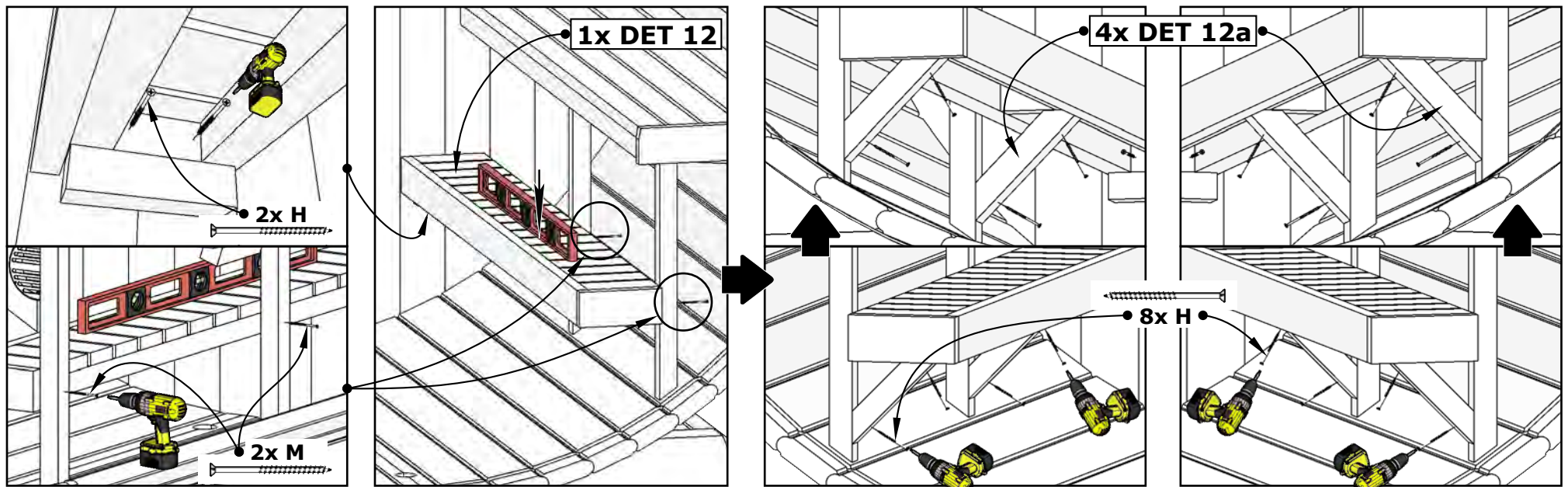
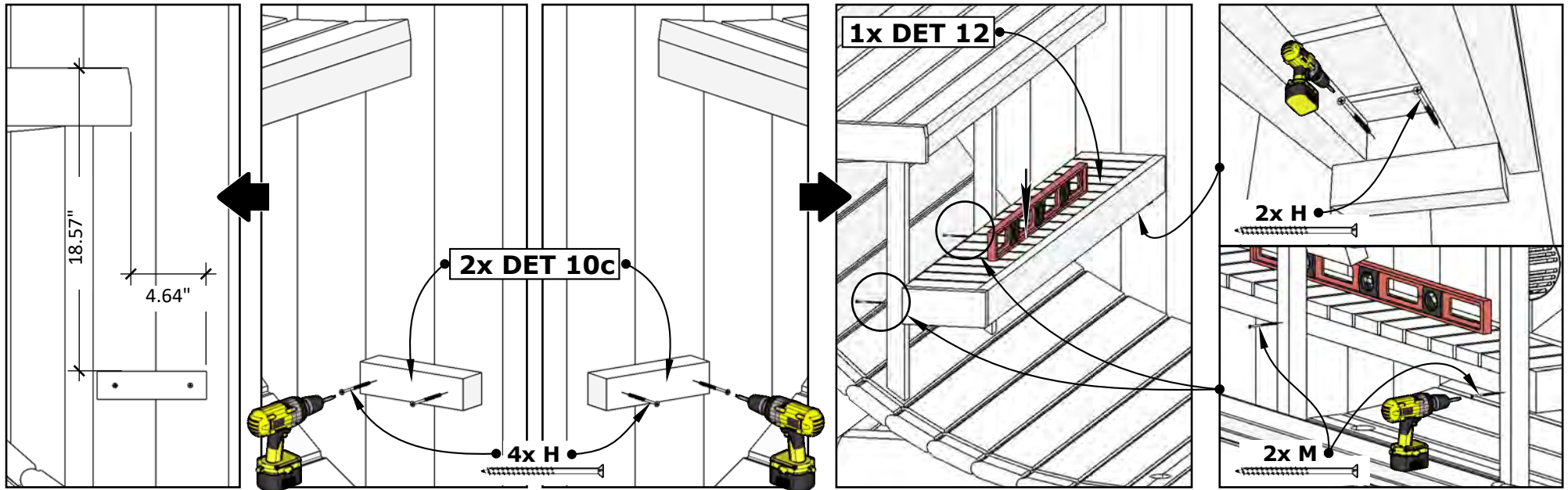
13

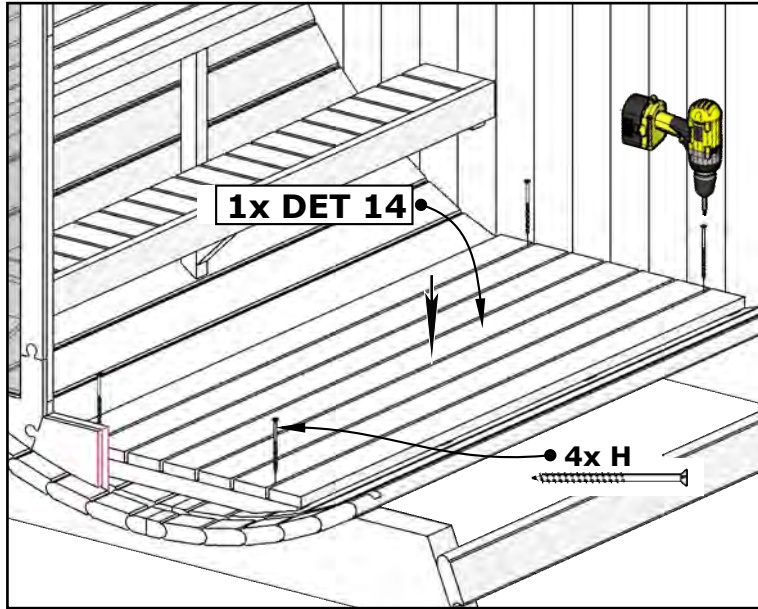


II

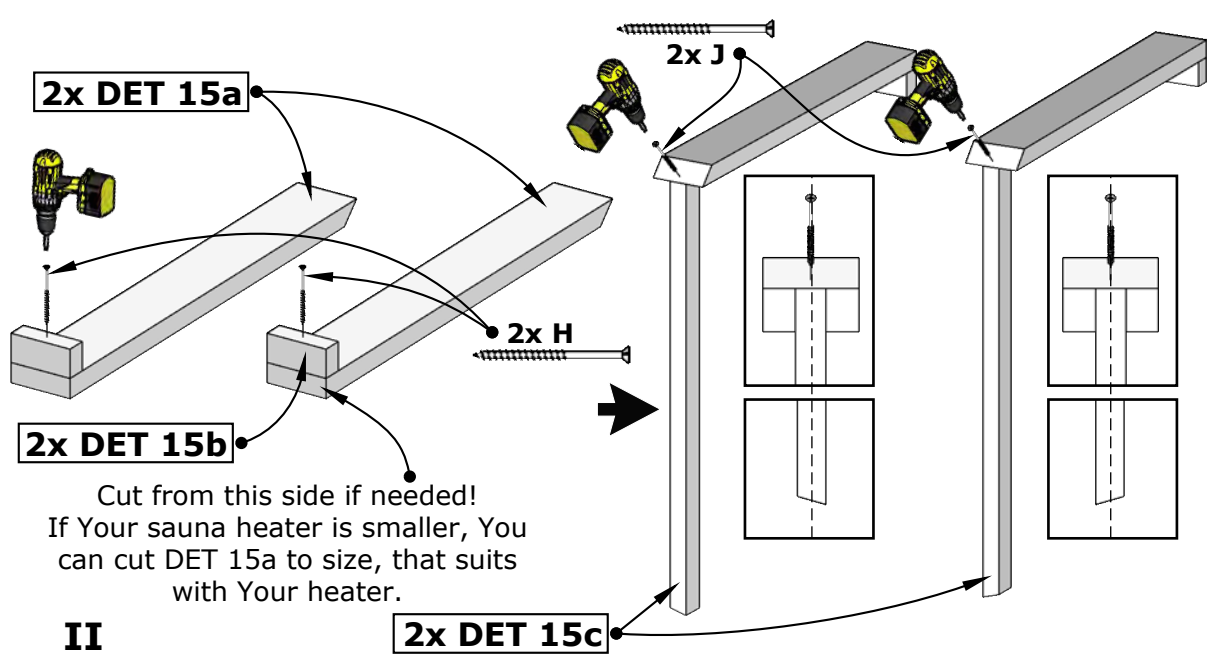


III

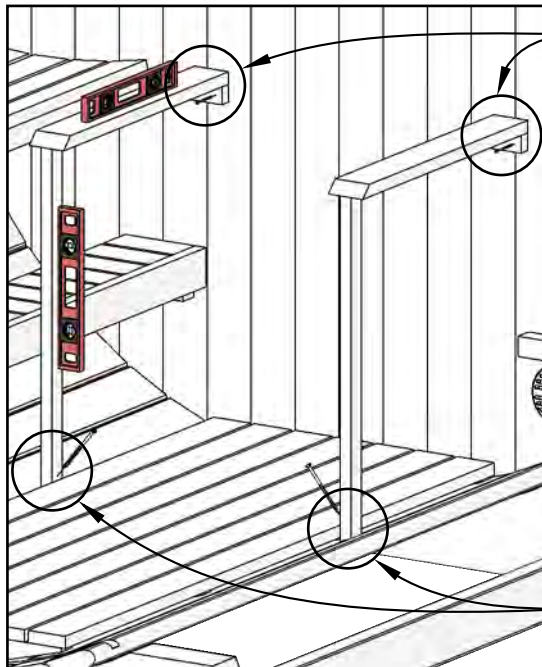




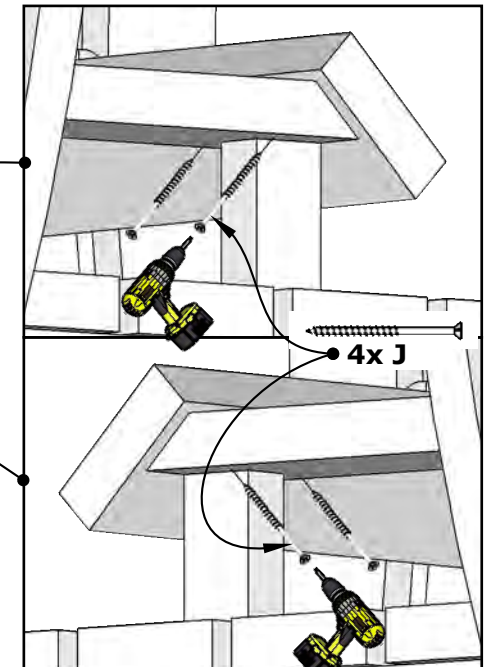
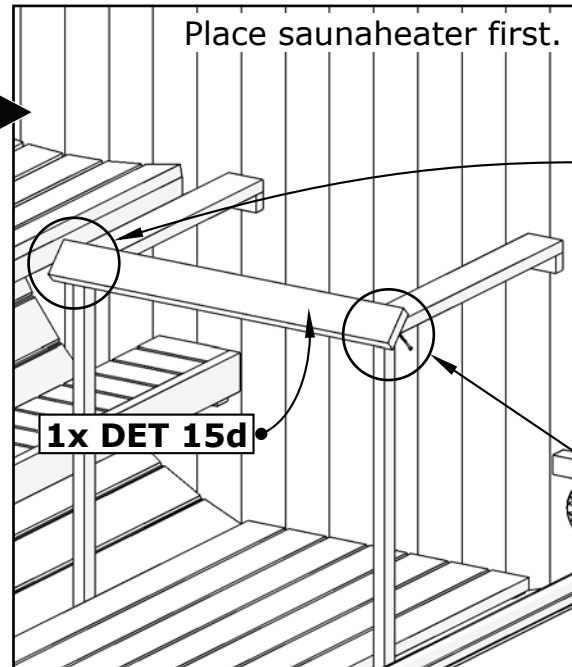
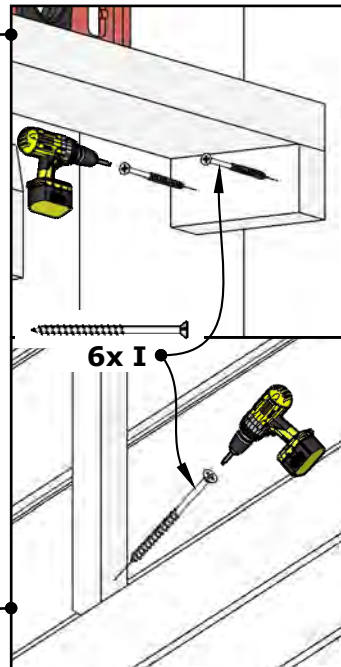
I



II

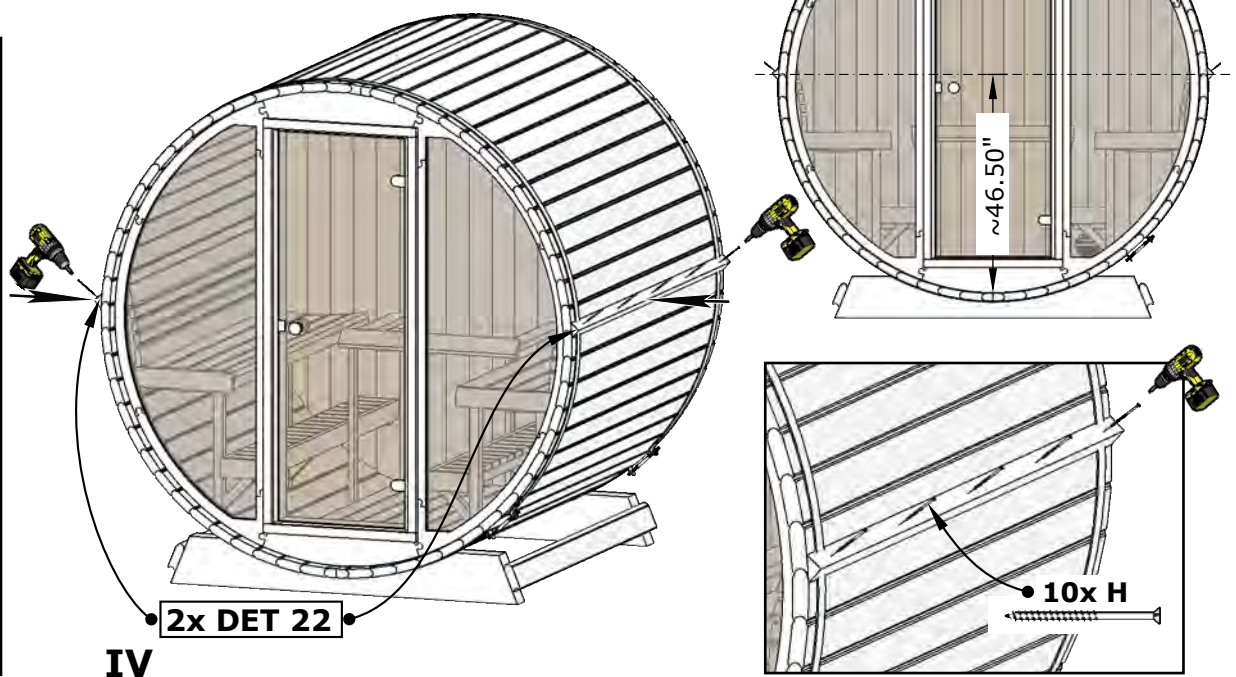
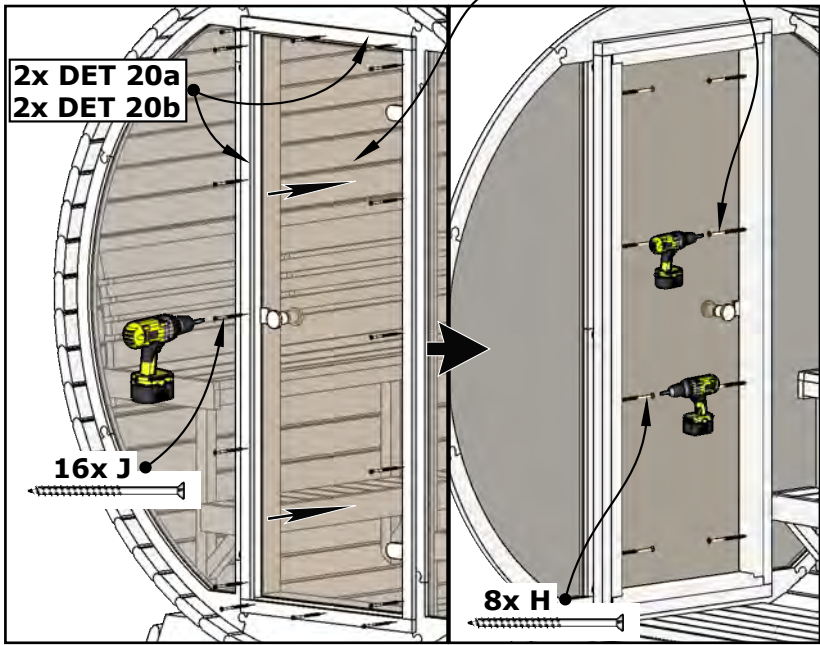
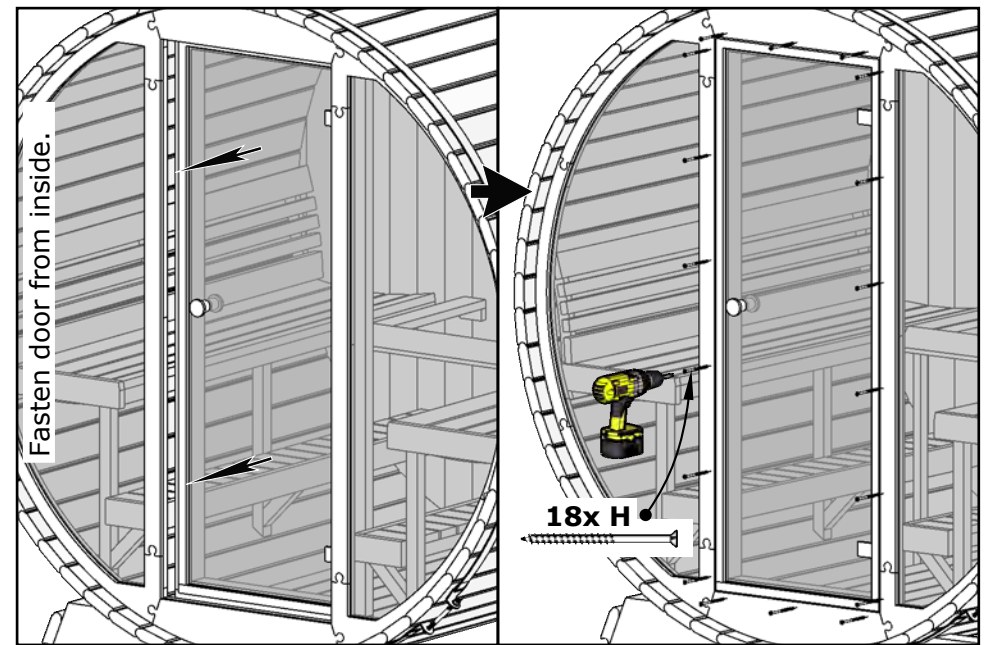
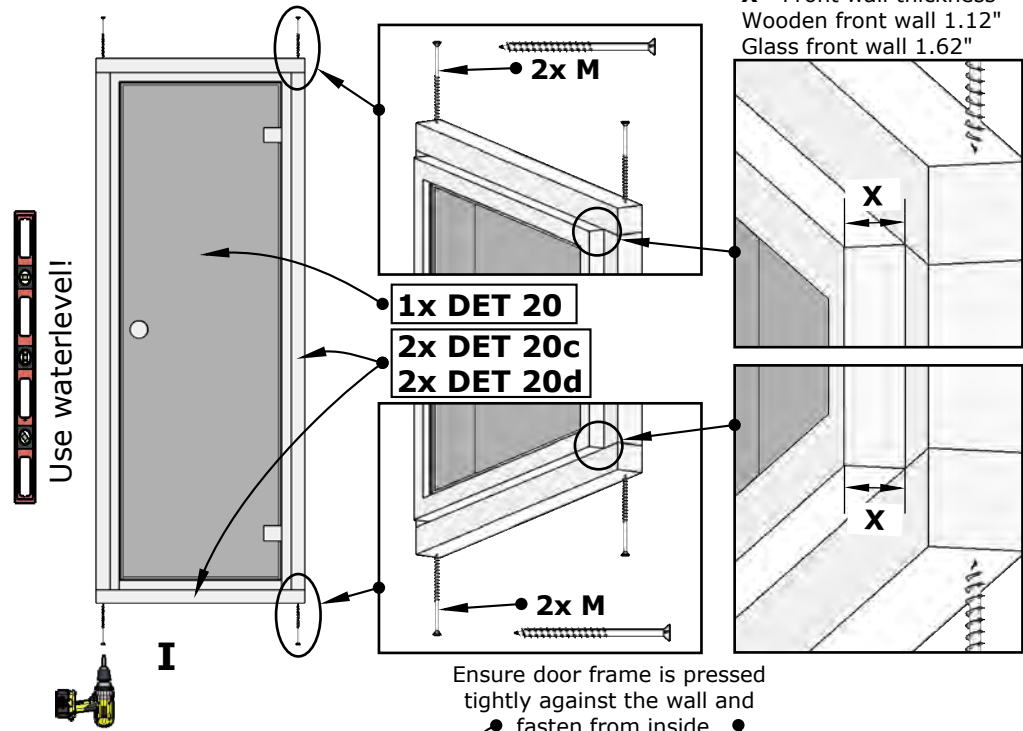


III

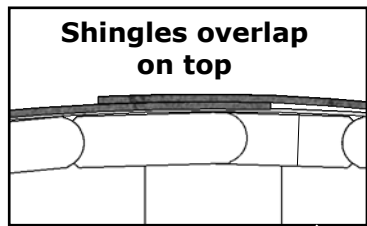
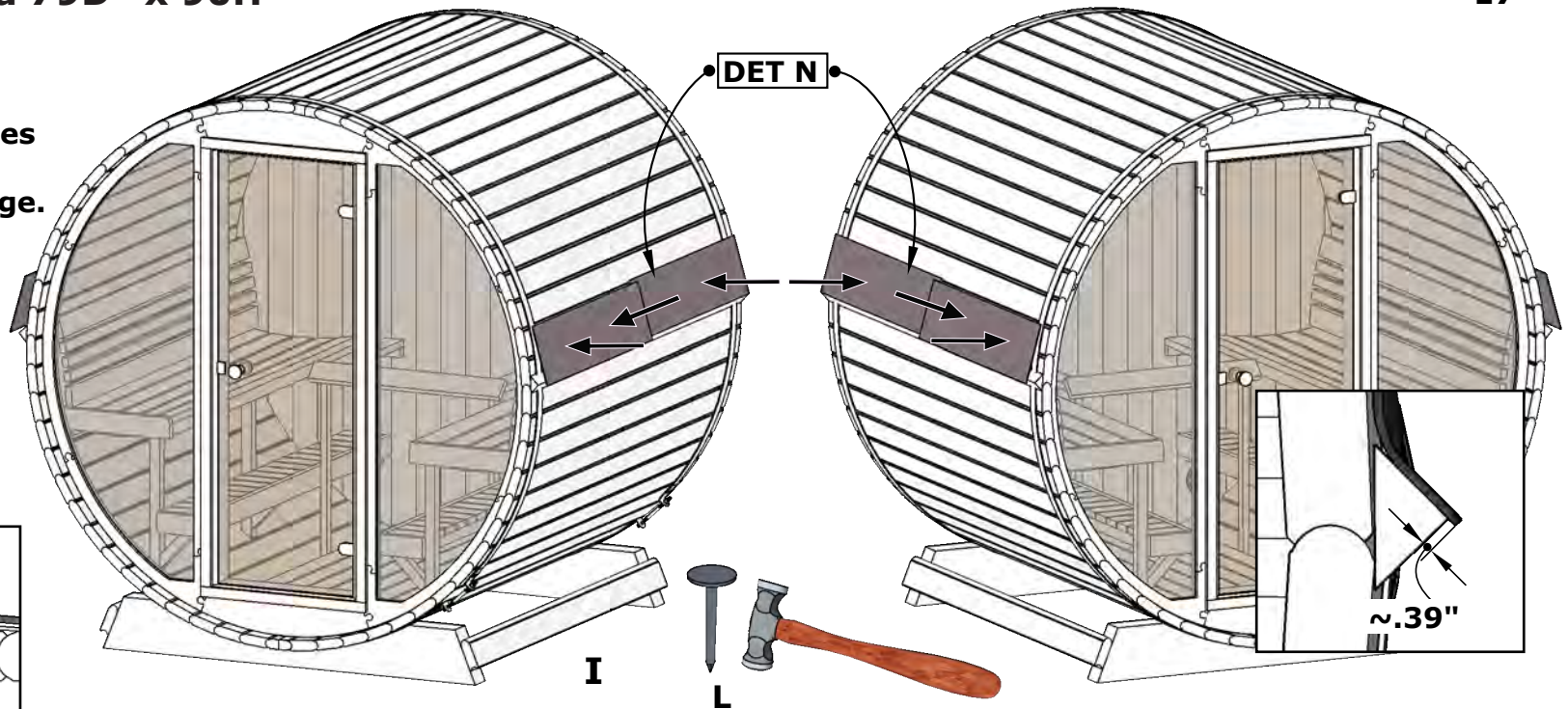


# EE8G Barrel Sauna 79D" x 90H"

X= Front wall thickness  
 Wooden front wall 1.12"  
 Glass front wall 1.62"



**NB! Check also shingles installation manual inside shingles package.**



**Check also roof shingles installation manual inside package.**

