

CONNECTION/WIRING DIAGRAM

TAB	208 V 1 Phase			240 V 1 Phase		
Model	Amperage Amps	Output kW	Wire Size AWG	Amperage Amps	Output kW	Wire Size AWG
Sense Combi-U 7	26	5.3	10	30	7.0	8
Sense Combi-U 8	30	6.3	8	35	8.3	8

Note: Heating elements do not change for voltage changes. The heater output will change based on the voltage applied to heater. Most North American homes are 240v.

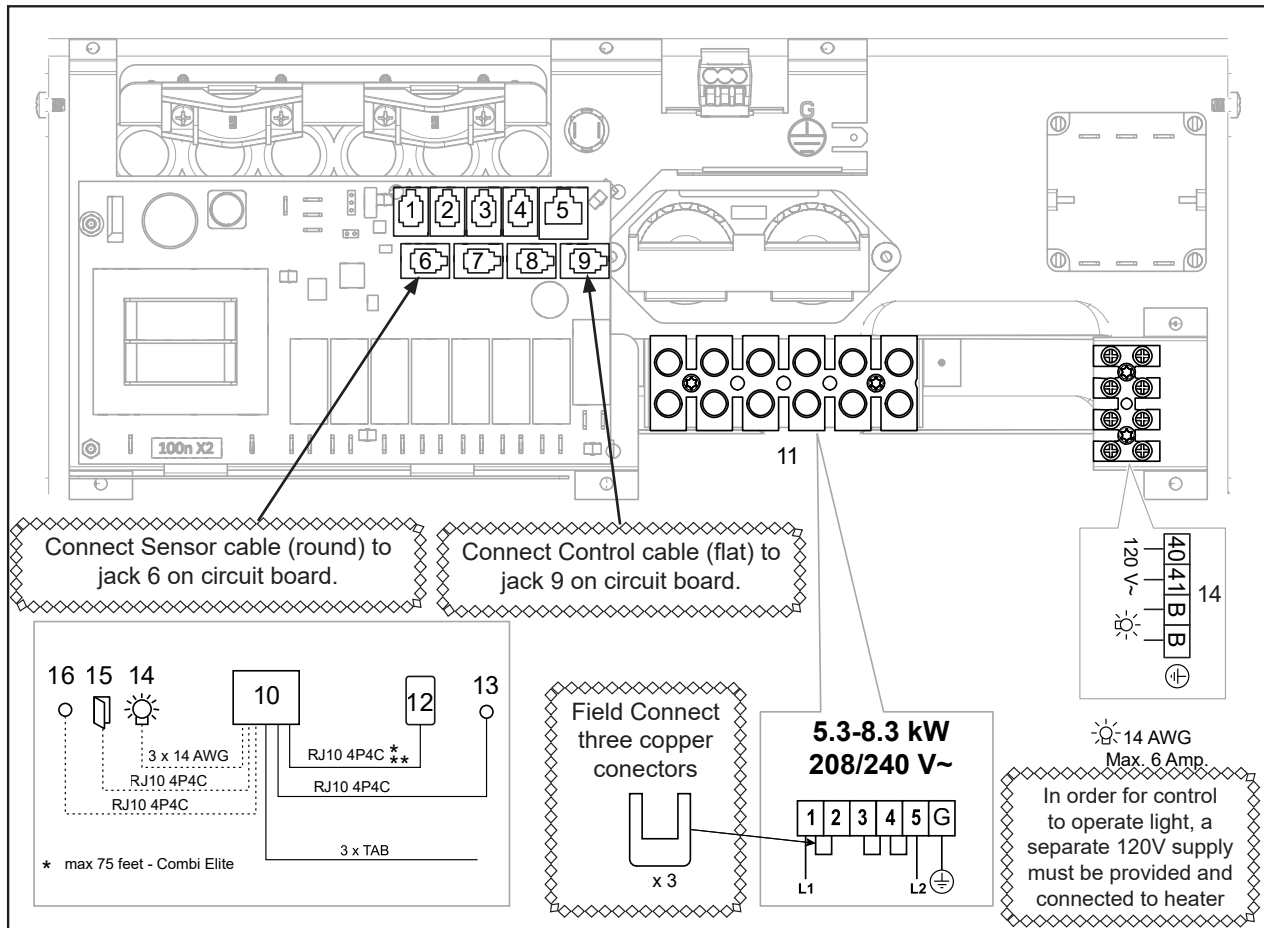
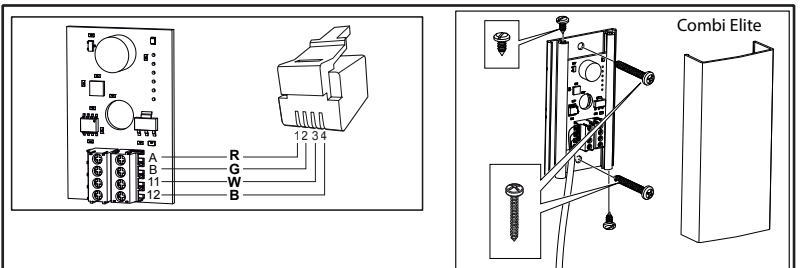


Figure 19: Wiring diagram

1. N/A
2. External Switch (Optional) (jack # 2)
3. Door jumper pre-installed (jack # 3)
4. N/A
5. N/A
6. Sensor (combination humidity and temperature, jack # 6)
7. N/A
8. N/A
9. Elite Control
10. Heater
11. Terminal for connection of electrical cable
12. Control panel (jack # 9)
13. Sensor - Combi Elite (jack # 6)
14. Light/terminal for connection of light
15. Door Switch is not required for N. America
16. External On/Off Switch (option)



Humidity Sensor Installation Tip

Installing the humidity- and temperature sensor - Combi Elite.

Connecting the humidity- and temperature sensor - Combi Elite
R=Red, G=Green, W=White, B=Black

1. **CAUTION:** Heater junction box can be a tight fit. Make sure no bare wires come in to contact with circuit board, on/off switch or any other heater components. Extra care should be taken when closing junction box cover to ensure wires are not being pushed out of position.
2. Some prefer or are required to make a weather-proof connection. If so, you may use Liquid tight conduit for the wire exposed within the sauna. For more flexibility, you can install weather proof junction box inside sauna below heater and use flexible SOOW wire to connect to heater

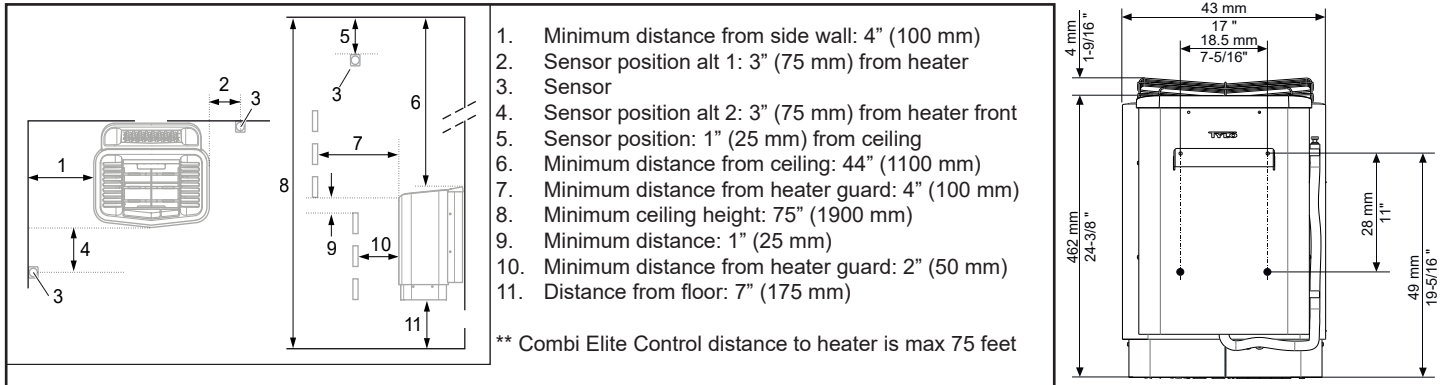


Figure 3: Position the sensor according the picture.

To prevent build up of lime-scale and higher salt/mineral levels, empty the reservoir after each use. If this is not done and water is added each time you take a sauna, foam build-up could occur which can cause the level sensor to detect a higher water level than usual. There is a risk the heating element may break.

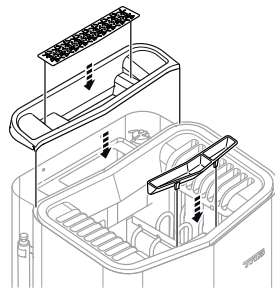


Figure 14: Fitting the cover for the water reservoir, herb grille and fragrance holder/air humidifier

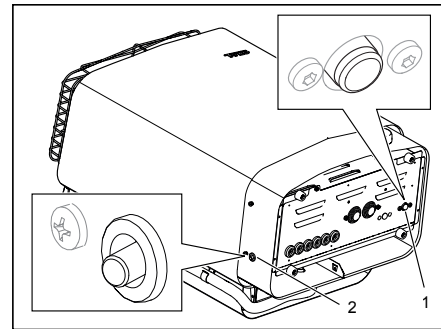


Figure 9: Resetting the temperature cut-out
1. Temperature cut-out water reservoir
2. Temperature cut-out sauna heater



Elite Control Location
The control panel can be installed inside or outside of the sauna room. (Outside is Typical)

Elite Control Installation Instructions

The control panel can be installed inside or outside the sauna room. If the control is installed inside the room, install no higher than 3' (90 cm) above the floor. No closer than 12" (30 cm) to heater.

Installation Without Mounting Bracket

Cut a 1-3/16" (3 cm) hole through the wall big enough for the control panel connector.

Attach the double-sided adhesive to the control panel. Before applying the control to the wall, connect it to the heater and electrically test everything first. Clean the surface where the control will be applied to remove all dust. Remove the protective backing from the adhesive. Silicone sealant can be applied in the groove on the back of the panel as an extra seal. Connect the control wire, push the excess wire through the hole in the wall and press the control panel firmly to the wall.

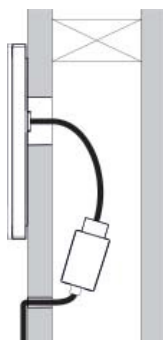
Installation Bracket

Use the mounting bracket as a template to mark screws holes on the wall. Tighten the screws a little until the bracket is nearly secured.

Remove the bracket from the wall. Use adhesive to mount the control to the bracket. Remember to position the switch according to the picture.

Installation without Bracket

Install without bracket
Control stuck directly to the wall. Control cable in the stud cavity.



Installation with Bracket

Install with bracket
Generally only used when control wire is surface mounted; i.e. solid log style outdoor sauna.

