



Dundalk LeisureCraft Panoramic Barrel Sauna Assembly Instructions

Please read and understand the complete instructions prior to assembly and use of your sauna. Customer agrees not to hold Dundalk LeisureCraft Inc. and any of its authorized dealers liable for improper installation, maintenance and repair of this product



Requirements:

- 2 People (recommended)
- * Carpenter's Hammer
- * Step Ladder
- * Cordless Drill (we supply the bit)
- * Tape Measure
- Carpenter's Level
- * Rubber Mallet

View the assembly process on **You Tube**



Dundalk LeisureCraft Panoramic Barrel Sauna Assembly Instructions

Index

Sauna Base Preparation (Standard) – Page 3

Sauna Barrel Assembly (Standard) – Page 4 to 12

Standard Bench Installation (Standard) – Page 13 to 17

Signature Bench Installation (Option) – Page 18 to 25

Lounge Bench Installation (Option) – Page 26 to 29

Cedar Bevel Roof Installation (Option) Page 30 to 32

Electric Heater Installation (Option) – Page 33 to 35

Harvia Wood Heater Installation (Option) – Page 36 to 42

Sauna Vent Kit (Option) – Page 43,44

Sauna Light (Option) – Page 45,46

Cove Assembly (Option) – Page 47,48

Completion/Maintenance/Warranty – Page 49 to 51



Dundalk LeisureCraft
Panoramic Barrel Sauna
Assembly Instructions

Sauna Base Preparation

A solid base for your sauna is recommended and can be made from any of the following.



Concrete Pad



Wooden Deck



Crushed Gravel



Patio Stones/Paver Blocks

(Refer to the below chart for minimum base requirements)

It is recommended to build a base larger than required to provide a sitting area for cooling off during your sauna session.

Sauna Size	76"x6' (193x182)	76"x7' (193x214)	76"x8' (193x244)	7'x6' (214x182)	7'x7' (214x214)	7'x8' (214x244)
Minimum Base Size	48"x60" (120x150cm)	48"x72" (120x183cm)	48"x84" (120x213cm)	60"x60" (150x150cm)	60"x72" (150x183cm)	60"x84" (150x213cm)
Options						
Porch	Add 24" (60cm) to total length.					
Changeroom	Add 48" (120cm) to total length.					

**** All measurements in above chart are "width x lengths"***



Dundalk Leisure Craft Panoramic Barrel Sauna Assembly Instructions

**Please note that the number of Barrel Cradles supplied depends on the overall length of the sauna.*

**Saunas with overall lengths greater than 10' (305cm) have 3 cradles while saunas less than 10' (305cm) have 2.*



Inset. 1

Make sure the placement for your sauna is level with a slight slope to the back for drainage.

Start by laying out the cradles.

Lay the first bottom stave in the center of the cradles.

This stave will have convex edges on both sides as in inset.1.

Mark the centre of the cradles horizontally. Fig. 2a



Fig 2a

Measure 5" (13cm) from each end of the stave to the cradles, as shown. Fig. 2b



Fig 2b

Secure stave into cradle using 2 ½" (64mm) screws.

Repeat for remaining cradles.

**Always ensure that you have the correct screw length so that there will be enough thread to hold, and especially so that the screw won't go all the way through the material and come out the other side.*





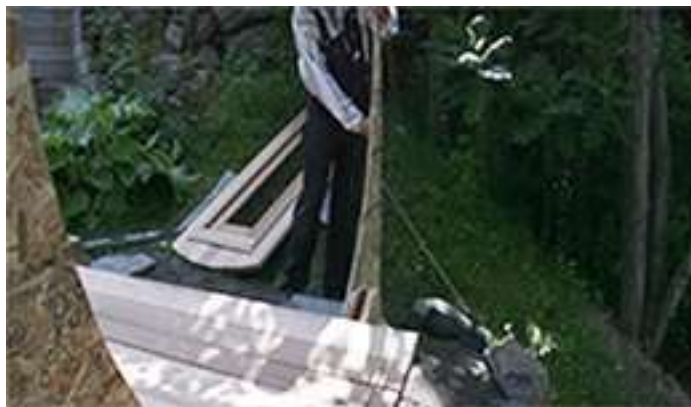
Dundalk Leisure Craft Panoramic Barrel Sauna Assembly Instructions

Panoramic Barrel Sauna Assembly (Standard)



Start laying down the wall staves. Keep the dado grooves in line with the correctly positioned bottom stave.

Make sure there are no gaps between the edges of the staves, and that the groove line for the dome is lined up perfect.



Attach the stave supports using 2 ½" (64mm) screws making sure they are flush with the curve of the cradle.

****These supports are temporary to assist in the installation of the acrylic dome and will be removed later in the assembly process .***



Place the door section into the dado groove in the staves.

Make sure the door is centered with the middle stave.



Using 2 people, gently place the acrylic dome into the groove at the back of the sauna.



Dundalk Leisure Craft Panoramic Barrel Sauna Assembly Instructions



Use the top special stave to go from the front wall to the dome to help stabilize the sauna.

****The top special stave has 2 concaved edges (inset 2.)***



Using your carpenters level and rubber mallet, level up the front wall.



Install the front side wall panels.

Screw each side panel into place at the top and bottom with 2 ½" (64mm) screws.



Start adding staves from the bottom up gently tapping them with the rubber mallet to finesse them into place.



Dundalk Leisure Craft Panoramic Barrel Sauna Assembly Instructions

Panoramic Barrel Sauna Assembly (Standard)



Secure every 2nd stave on the bottom of the sauna with the provided nails. (if required)



Continue installing the staves from the bottom up installing a few staves at a time, alternating sides.



When installing staves, tap tightly together while leaving as much of a gap as possible between stave and wall using the pencil line as a guide as in picture.

****This will make the tightening of the bands easier.***



When you reach the top, you will find that the last wall stave doesn't look like it fits properly, this is normal.



Dundalk Leisure Craft Panoramic Barrel Sauna Assembly Instructions



Assemble the steel bands by sliding the rod with a nut on one end through the other end and secure with a second nut.



Slide the band over the front of the sauna about 2" (5cm) from the edge of the stave.



Repeat the process for the back of the sauna ensuring the band is 3" (8cm) from the end of the stave so it is in the same location as the dome groove.



Slide the front wall band around the sauna using the nails as a guide to where the front wall is.

Measure all around the sauna to ensure the measurement of the band is consistent with the front wall location.

****If a porch and/or changeroom option is chosen, a band should be positioned over top of each of those walls also.***



Dundalk Leisure Craft Panoramic Barrel Sauna Assembly Instructions



The final band should be centered between the sauna walls.
Snug up all bands with a cordless drill or $\frac{3}{4}$ " (19mm) wrench.



Use the rubber mallet to tap the staves as needed to get the last wall stave and top stave to sit properly together.

Tap up (from the inside of the sauna so you don't break the ends) or down, by hammering on the band to attain a uniform circle shape.



Once this is achieved and the "peak" at the top is gone, you can start adjusting the band.

Tighten all bands as tight as possible.

**** Don't be worried about making them too tight, you cannot overtighten!***



Remove the plywood wall supports from the back of the sauna.

Carefully remove the protective plastic from the acrylic dome.



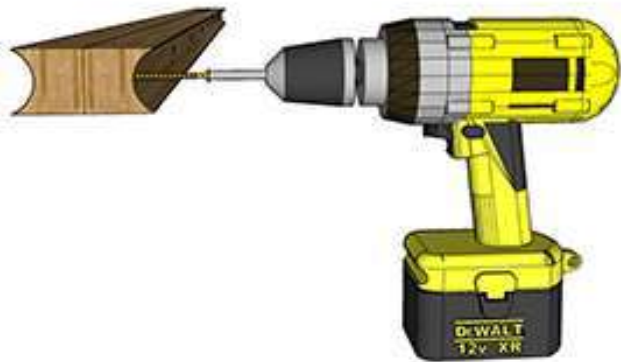
Adding a Spacer to the Top Sauna Stave

In your sauna package you will find a spacer stave that is square on both sides that is only required if there happens to be a "gap" after installing all of the staves, (as in picture)

You will need to follow the following instructions to add this spacer to the top special stave.



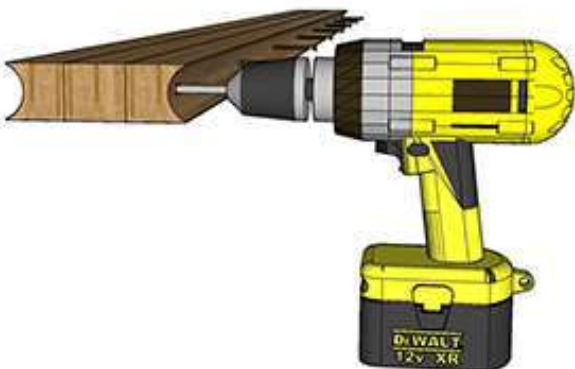
Locate the Top Stave with the 2 concave sides and remove all the screws out of the stave.



Insert square spacer in between the two stave halves.



Screw all pieces back together with 3" (76mm) screws



Reinstall the now wider Top Stave following the sauna assembly instructions.





Making the Top Sauna Stave narrower

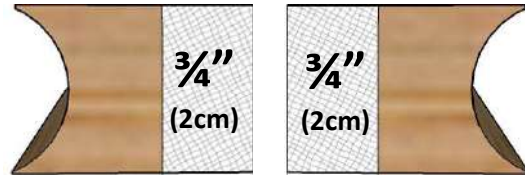
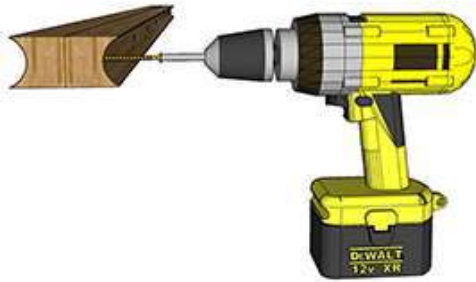
In rare instances, your sauna staves will be too tight not allowing the staves to settle into position correctly. (as in picture)

This doesn't happen often and the sauna staves and bands are always better being as tight as possible.

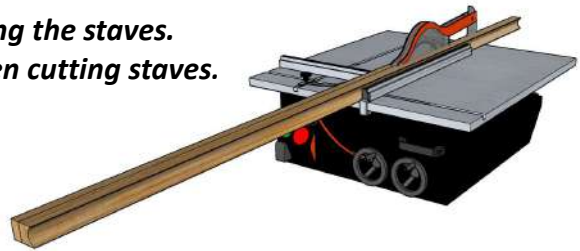


You will need to follow the following instructions to make the top special stave narrower.

Locate the top special stave and remove all the screws. Measure from flat edge 3/4" (2cm) on each stave and safely cut to make staves thinner.

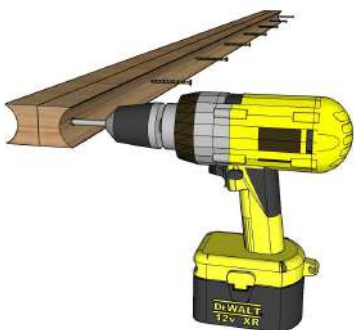


A circular saw or table saw is best for cutting the staves. Follow all of your saws safety precautions when cutting staves.



Screw the 2 pieces back together with 2" (64mm) screws

Reinstall the now narrower Top Stave following the sauna assembly instructions.



Making Top Stave narrower



Dundalk Leisure Craft

Panoramic Barrel Sauna Assembly Instructions



Install towel hanger at desired height on outer wall using 1 1/2" (38mm) screws.



Center out the door handle (small) on outside of the door and secure with 2" (51mm) screws using the pre-drilled holes.

****Magnets are very strong and may require some force to pull the door open the first time.***



Repeat this process for the inside handle installing it at desired height centered horizontally on door.

**** If the Changeroom option is ordered, install the inside and outside handles in the same manner.***

**** The main structure of your Panoramic Cedar Barrel Sauna is complete.***

**** Please refer to each of the remaining sections to install the various upgrades and options chosen.***

Benches

****Standard***

****Signature***

****Lounge***

Heater

Saaku Electric

Harvia M3 Wood Burning



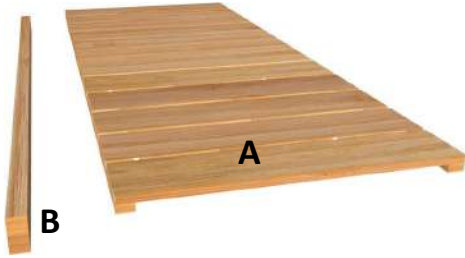
Dundalk Leisure Craft

Panoramic Barrel Sauna Assembly Instructions

The flat floor (If Purchased) Is shipped semi assembled.

You will need to add the bottom support onto the floor before assembling the benches.

** Note that the middle support is only included in 7' diameter Saunas**



Locate the flat floor (A) and bottom support (B).



Flip over flat floor, measure the center and place the bottom support in the center.



Secure the bottom support to the bottom of the flat floor using 2 1/2" (6mm) screws in the pre drilled holes.



Flip the flat floor back over and it is ready to be installed inside the sauna.



Start the assembly of your standard benches by installing the flat floor.
(If Purchased)

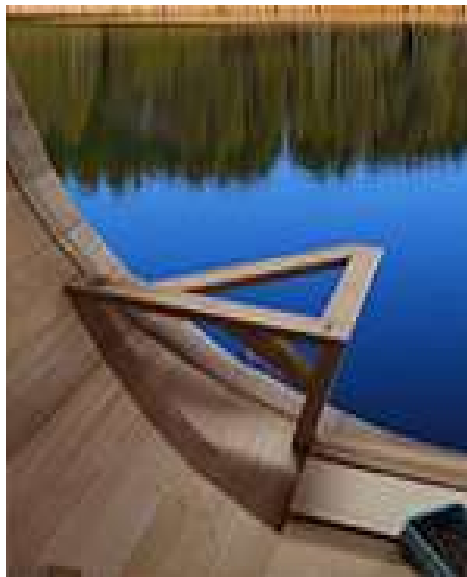


Ensure the flat floor is centered in sauna and that it is level, you can use the door frame to confirm it is level.

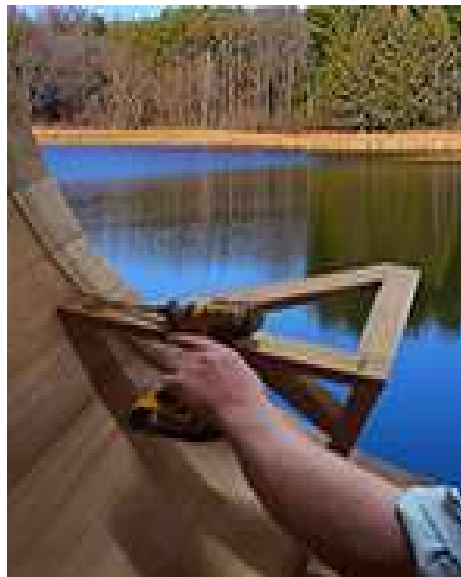
Standard Bench Installation (Standard)



Dundalk Leisure Craft Panoramic Barrel Sauna Assembly Instructions



Install the Dome bench bracket 1/2" (13mm) from the dome groove in the staves making sure the top of the bench bracket is level.



Using the pre drilled holes in the bracket, screw the dome bench bracket to the sauna on the top and bottom with 2" (51mm) screws.

If the sauna floor is purchased, the Front of the dome bench bracket should sit tight to the side of the flat floor.



Repeat on opposite side of sauna.



*** For Electric Heater option skip to next step!**

You can use a level to ensure both brackets are at same height.

If you purchased a Harvia M3 wood heater or full length benches on both sides with your Panoramic Barrel Sauna install the bench brackets on the front wall on either side in the same manner as the dome bench brackets.

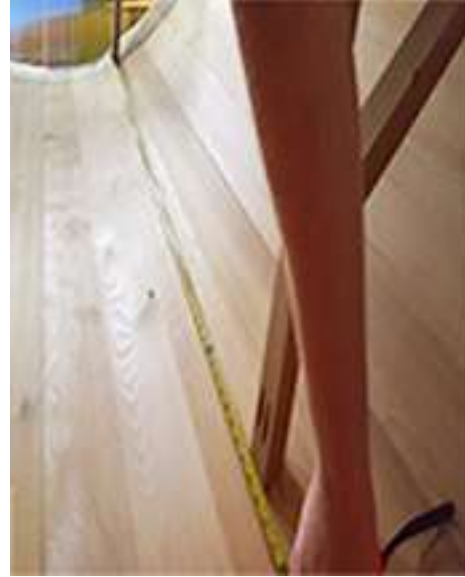


Dundalk Leisure Craft Panoramic Barrel Sauna Assembly Instructions

Standard Bench Installation (Standard)



If you purchased an electric heater with your Panoramic Barrel Sauna Install the bench bracket on the front wall opposite the side of where the electric heater will be mounted.



To install the short bench bracket, first measure the short sauna bench and then measure the same distance from the outside of the dome bench bracket to position the front bracket.



Place the curved dome bench on the dome bench brackets.

Do not Fasten yet!



Place the side benches on the side bench brackets.

Do not Fasten yet!



Dundalk Leisure Craft Panoramic Barrel Sauna Assembly Instructions



Match up the dome bench with the 2 side benches and screw from the bottom of the dome bench brackets into the dome bench using 2 ½" (64mm) screws.

*** The Bench should not be rubbing on the Panoramic dome at all.**



Screw the side benches down from the top into the support braces.

Ensure to screw in between the bench seat slats so that the screws are not visible.



Do this at the front and back braces.

Repeat on other side bench



Install 2 of the remaining 4 smaller bench supports under the side bench.

Place them under the horizontal bench support slats and screw the front leg in to the floor with a 2 ½" (64mm) screw.

Fasten the top bench down by screwing between the bench seat slats using 1 ½" (38mm) screws to make the screws less visible.

Repeat for opposite side bench.



Dundalk Leisure Craft Panoramic Barrel Sauna Assembly Instructions

Standard Bench Installation (Standard)



To install the standard porch seats, screw the legs into the end of the seats with 2 ½" (64mm) screws.

Attach brace from the seat to the leg with a 2 ½" (64mm) screw.



Use a level or carpenters square to make sure the porch seat is level.
Secure the porch seat to the front wall from underneath using (3) - 2 ½" (64mm) screws.



Screw the front of the porch seat into the wall from the outside using a 2 ½" (64mm) screw.

Repeat for standard porch bench on other side.



Secure the leg to the floor using a 2 ½" (64mm) screw.

Repeat on other porch bench ensuring they are level with each other.



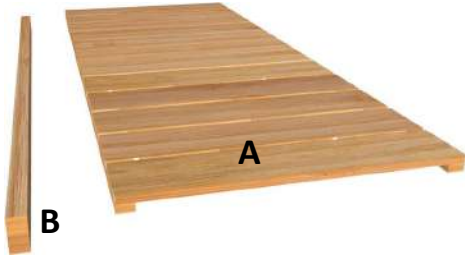
Dundalk Leisure Craft

Panoramic Barrel Sauna Assembly Instructions

The flat floor (If Purchased) Is shipped semi assembled.

You will need to add the bottom support onto the floor before assembling the benches.

** Note that the middle support is only included in 7' diameter Saunas**



Locate the flat floor (A) and bottom support (B).



Flip over flat floor, measure the center and place the bottom support in the center.



Secure the bottom support to the bottom of the flat floor using 2 1/2" (6mm) screws in the pre drilled holes.



Flip the flat floor back over and it is ready to be installed inside the sauna.



Start the assembly of your standard benches by installing the flat floor.
(If Purchased)



Ensure the flat floor is centered in sauna and that it is level, you can use the door frame to confirm it is level.

Signature Bench Installation (Option)



Dundalk Leisure Craft Panoramic Barrel Sauna Assembly Instructions



(Electric Heater Models)



*** For the Harvia M3 Heater option, or full length benches on both sides, skip this step!**

Position the short bench enclosure $\frac{1}{2}$ " (13mm) from the dome groove on the edge of the floor at the dome end,

With the short bench enclosure square to the floor, use it as a guide to install the angled bench supports to the barrel wall using 2 $\frac{1}{2}$ " (64mm) screws.

Do not Fasten!

*** Do not fasten the front enclosure yet.**



Repeat at other end of bench.



With the long bench enclosure square to the floor, use it as a guide to install the angled bench supports to the front barrel wall using a 2 $\frac{1}{2}$ " (64mm) screw.

The top of the flat end of the bench support and the top of the front enclosure should be flush.



Dundalk Leisure Craft Panoramic Barrel Sauna Assembly Instructions



Screw bench brackets into end walls as well using 3- 2 ½" (64mm) screws in each bracket.

*** Do not fasten the front enclosure yet.**

If you purchased a Harvia M3 wood heater or full length benches on both sides with your Panoramic Barrel Sauna perform this step for both side benches of your sauna.



Remove the front enclosures and gently place the bench seats on the 2 x 4 (51mm x 104mm) brackets. Ensure that seats are all the way back against the side of the barrel.



Using 2 ½" (64mm) screws, Install the small support brackets ensuring they are flush with the bottom of the bench seats.



Screw up through brackets into the bench seat using 1 ½" (38mm) screws.
(3 screws per bracket)

With a 2 ½" (64mm) screw, fasten the bottom of the support into the floor.
Make sure seats stay back against the side of barrel.



Dundalk Leisure Craft Panoramic Barrel Sauna Assembly Instructions



Slide the front enclosures back into position.



Screw the enclosures and the seat benches to the front wall with 2 ½" (64mm) screws. Screw between the slats to ensure screws are less visible

If the Harvia M3 wood heater or full length benches on both sides were chosen with your Panoramic Barrel Sauna then you will do this step for both side benches of your sauna.



If the electric heater option was chosen, screw the angled bench support to the short front enclosure using 2 ½" (64mm) screws in the pre drilled holes.



Screw the angled bracket into the short bench seat using 2 ½" (64mm) screws in the pre drilled pocket holes.



Dundalk Leisure Craft Panoramic Barrel Sauna Assembly Instructions



Screw the angled bracket into the front enclosure and the bench seat, using 2 ½" (64mm) screws in the pre drilled pocket holes.

Repeat on other side.



Screw the front enclosure and the bench seats together on the front tabs with 2 ½" (64mm) screws.

**** Pre drill these holes first to prevent splitting!***



Install the dome bench brackets to the end of both benches using 3 - 2 ½" (64mm) screws per bracket.

**** Note the height so the dome bench is level with the side bench seats.***



Screw dome bench into dome brackets on either side using 3- 2 ½" (64mm) screws per side.



Dundalk Leisure Craft Panoramic Barrel Sauna Assembly Instructions



Position the angled center dome bench support so that the bench is level and brace is also flush with the bottom of the bench.

Screw the dome bracket to the dome seat from underneath using 4- 1 ½" (38mm) screws.

Using 2 ½" (64mm) screws, screw the bottom of the bench support into the floor on the front and in either side using the pre drilled pocket holes.



To install the signature back rest, position on wall at desired height and fasten with 2 ½" (64mm) screws.

**** Place screws under the top board in the vertical uprights to keep them less visible.***



Dundalk Leisure Craft Panoramic Barrel Sauna Assembly Instructions



To install the porch signature bench, first position the floor making sure it is level.



Secure the sauna floor to the sauna staves with 2 ½" (64mm) screws.

** Screwing between the floor boards will make the screws less visible.*



On a clean flat surface, assemble the porch bench and front wall enclosure using 2 ½" (64mm) screws into the pre drilled pocket holes.



Dundalk Leisurecraft Panoramic Barrel Sauna Assembly Instructions



Position the assembled bench on the porch floor and up against the front wall of the barrel Sauna.

Using a level, make sure the bench is level and square to the porch floor.



Fasten the assembled porch bench to the front wall using 2 ½" (64mm) screws.
(5pcs- 3 on the seat and 2 on the front wall enclosure)

Screw the front of the porch seat into the sauna wall from the outside using a 2 ½" (64mm) screw.

Repeat for signature porch bench on other side.

***Congratulations on the assembly of your
Dundalk Leisurecraft
Signature Bench!***



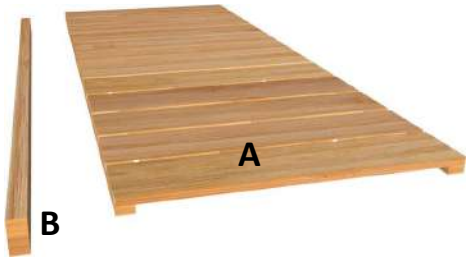


Dundalk Leisure Craft Panoramic Barrel Sauna Assembly Instructions

The flat floor (If Purchased) Is shipped semi assembled.

You will need to add the bottom support onto the floor before assembling the benches.

** Note that the middle support is only included in 7' diameter Saunas**



Locate the flat floor (A) and bottom support (B).

Flip over flat floor, measure the center and place the bottom support in the center.



Secure the bottom support to the bottom of the flat floor using 2 1/2" (6mm) screws in the pre drilled holes.

Flip the flat floor back over and it is ready to be installed inside the sauna.



Start the assembly of your standard benches by installing the flat floor.
(If Purchased)



Dundalk Leisure Craft Panoramic Barrel Sauna Assembly Instructions



Ensure the flat floor is centered in sauna and that it is level, you can use the door frame to confirm it is level.



Using the pre drilled holes, assemble the lounge bench support to the longer front lower bench wall using 2" (51mm) screws.



Position assembly in place and secure to sauna walls and floor using 5- 2 1/2" (64mm) screws on the top and bottom rails.

****Be careful not to screw into any stave joints.***



Place lounge bench on top of bench support.



Dundalk Leisure Craft Panoramic Barrel Sauna Assembly Instructions



Ensure bench is flush with bench support and secure with 2 ½" (64mm) screws in pre drilled holes.

** If sauna is purchased with wood burning heater, repeat process for opposite bench.*

** If electric heater is chosen, continue onto next step.*



Assemble bench support to the short front lower bench wall in the same manner as in opposite bench.

Secure to floor and walls ensuring bench is level.



Ensure bench is flush and secure with 2 ½" (64mm) screws between the seat boards so the screws are less visible.



Install backrest with 2" (51mm) screws at desired height making sure that the lounge bench can still operate correctly.

Repeat for other side.



Dundalk Leisurecraft Panoramic Barrel Sauna Assembly Instructions



If the porch option is selected, start by installing the floor ensuring it is level.

Secure with 2" (51mm) screws between the floor boards into the barrel wall.



Assemble the 2 pieces for the porch seat together using 2 ½" (64mm) screws.



Fasten bench to floor and sauna wall using 3 - 2 ½" (64mm) screws on the top and bottom.

Repeat process for other bench.



Congratulations on the assembly of your

***Dundalk Leisurecraft
Lounge Bench!***



Dundalk Leisure Craft Cedar Barrel Sauna Assembly Instructions



Unroll the EPDM membrane over the top of the sauna.
Even out the membrane over the sides of the sauna.



Starting at one end of the sauna, pull the membrane tight and secure to the edge of the staves with staples.
Using a utility knife, cut off the excess rubber flush to the edge of the staves.



Pull the membrane tight at the other end of the sauna and follow the same steps of stapling then cutting the excess off.



Center one of the trim pieces at the top of the sauna flush with the bottom edge of the staves.
Fasten the trim piece using a 2" (51mm) screw.

Only use 1 screw per piece at this time.



Dundalk Leisure Craft Cedar Barrel Sauna Assembly Instructions



Add the next piece of trim flush to the first piece and secure with a 2" (51mm) screw.

Continue attaching the remaining trim pieces following the same process as the previous step.



Once all of the trim is on and fits nicely, add 2 more screws to each piece of trim.



Repeat the same process for the other end of the sauna.

Cut off any excess membrane sticking out past the trim using your utility knife.



Line up your first piece of bevel siding with the wide end flush with the edge of the middle stave.

Fasten the bevel siding to the sauna using a staple gun with 1 ¼" (32mm) crown staples.

When stapling, Be careful not to hit the aluminum bands.



Dundalk Leisure Craft

Cedar Barrel Sauna Assembly Instructions



Use the provided spacing blocks as shown to get the correct placement of the next piece of bevel siding.

Fasten the siding in the same manner as the previous step.



Continue adding the bevel siding using the spacer block working your way up the sauna.

Use as many staples as possible to secure the siding to the sauna.



When you have installed the bevel siding up to the top, start installing the other side following the same process.

Fasten the remaining pieces of bevel siding in the same manner alternating sides until the siding overlaps at the top.



Use one last piece of the bevel siding to overlap the 2 sides.

Staple both sides of this piece to secure firmly.



Dundalk LeisureCraft

Panoramic Barrel Sauna Assembly Instructions

*The following installation instructions are for the Helo Cup (Saaku) electric heater.
Always refer to the original sauna heater manual for confirmation.
Read all instructions carefully.*

Measure the proper distances for the heater template according to the heater manufacturers instructions.

Using the template provided, drill four 9/64" holes to fasten the heater to the wall.

Install the two longer hex head lag screws (supplied with the heater) into the upper two holes.

Hang the heater on the two upper screws.

Install the two shorter hex head lag screws (supplied with the heater) into the two lower mounting holes.

Ensure the heater is level and then tighten all 4 hex head lag screws to lock the heater in place.



Rinse the rocks with water before placing in the heater.

Carefully place the rocks loosely so that the air can circulate through the heater.

Packing the rocks too tightly may cause the heater high limit switch to trip.

The rocks must fully cover the heating elements.

- ***Operate the heater for an hour with the sauna door fully open to burn off any residual coating from the manufacturing process before using.***

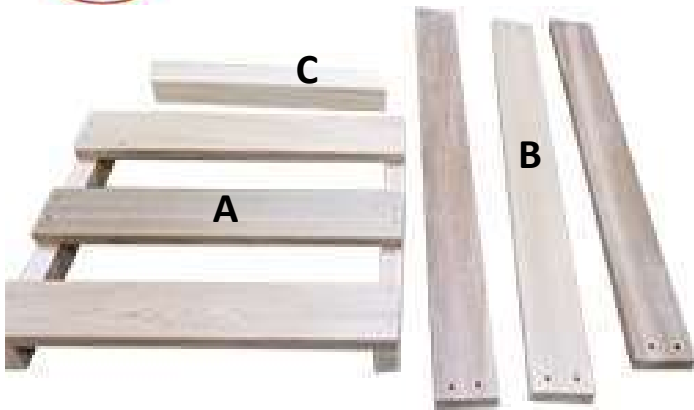
****The wiring for the electric heater most times enters the sauna underneath the heater as shown above.***

**** All wiring should be installed according to the heater manufacturers instructions and by a licensed electrician.***

- **Do NOT use a G.F.I breaker**



Dundalk LeisureCraft Panoramic Barrel Sauna Assembly Instructions



Locate the pieces for your heater guard.

They consist of the following:

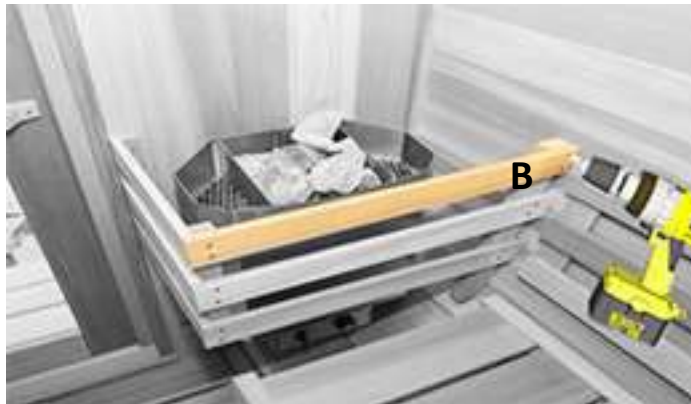
- (A) Assembled side piece
- (B) 3 - Heater guard support slats
- (C) -Wall Support

4 – 2 ½” screws

8 – 1 ½” screws



Assemble side piece (A) (highlighted) of the heater guard to front wall using 2 ½” screws in the pre drilled holes.



Screw the longest support slat (B) flush to the wall support (C) using 2 - 2 ½” screws.



Ensure the long support slat is flush with the assembled side piece and secure with 2 – 2 ½” screws.



Dundalk LeisureCraft Panoramic Barrel Sauna Assembly Instructions



Secure the wall support to the sauna wall with 2 ½" (64mm) screws in the predrilled holes at the top and Bottom.



Screw the middle support slat to the assembled side with 2- 2 ½" (64mm) screws at each end.



Repeat for the remaining bottom support slat.



Dundalk LeisureCraft Panoramic Barrel Sauna Assembly Instructions

The Panoramic Acrylic Dome cannot be exposed to high temperatures for more than 6 hours at a time.

Maximum Temperatures at the acrylic dome not to exceed 100 degrees Celsius (212 degrees Fahrenheit).

For Safety and warranty purposes, Please respect all minimum distances for the heater installation in saunas with an acrylic dome as referred to in this assembly manual.

Prior to installation, remove the protective film from the stainless steel pieces.



Install the floor plate centered between the benches at least 16" (41cm) from the inside groove of the dome.



Using 2 people, place the Harvia M3 Heater centered between the benches on the floor plate.

**** The heater can be positioned a little more to the back of the floor plate so more of the floor plate is out the front to help keep debris and ash of the sauna floor.***



Connect the extension pipes together on top of the heater.



This is to find the placement for the hole you will soon cut out.



Dundalk LeisureCraft Panoramic Barrel Sauna Assembly Instructions



Once the extensions are connected close to the roof of the sauna, locate the center of the pipe and use a pen or pencil to mark the roof.

**** Once you have your mark, remove the extensions so they are out of your way when cutting.***



In your preferred method, draw a circle $\frac{1}{4}$ " (6mm) larger than the diameter of the extension pipe.



Start a hole inside your circle with a drill bit or other method, then use a reciprocating saw to cut out the circle as neat as possible.



Place a piece of the pipe through the hole to make sure it fits before moving on to the next steps.



Dundalk LeisureCraft Panoramic Barrel Sauna Assembly Instructions



**** If the water tank option was not purchased, continue on to the next step.***

Connect the water tank to the stove adapter on top of the Harvia M3.

**** Spin the water tank until the tap is your desired location.***



**** If the water tank option was purchased, continue on to the next step.***

Attach the first extension piece to the stove adapter on top of the Harvia M3.



Slip the larger stove pipe through the hole in the roof and then connect it to the extension pipe out of the stove.



Locate the 2 inner Flange pieces.



Dundalk LeisureCraft Panoramic Barrel Sauna Assembly Instructions



Get a helper to hold the chimney centered in the hole while you place the 2 flange pieces around the pipe.



With the pipe centered, secure the flange pieces to the roof with the provided 1" (25mm) screws in the 2 slotted grooves.



Locate the rubber outer flange.



Slip it snugly over the chimney pipe as shown.



Dundalk LeisureCraft Panoramic Barrel Sauna Assembly Instructions



Slide the top chimney piece over the bottom chimney pipe.



Pull the rubber flange over the seam where the 2 pipes connect.



Place the tightening clamp around the rubber flange and tighten up with screwdriver.



Using the provided 1" (25mm) stainless steel screws, secure the rubber flange to the sauna roof spacing the screws out as evenly as possible.



Dundalk LeisureCraft Panoramic Barrel Sauna Assembly Instructions



Connect the cap to the top of the chimney pipe.



Connect the stove handle to the door with the 2 provided screws.



Using a screwdriver or wrench, remove the cover plate off the back of the heater.



Insert the plug that was supplied with heater into the back of pipe.



Dundalk LeisureCraft Panoramic Barrel Sauna Assembly Instructions



Replace the cover plate.



** Rinse the rocks with water before placing in the heater.*

Carefully place the rocks loosely so that the air can circulate through the heater.

Congratulations on the installation of your Harvia M3 Wood Burning Heater!





Dundalk Leisure Craft

Panoramic Barrel Sauna

Vent Kit Assembly Instructions

(Optional)

It is strongly advised to install the vent kit in your Panoramic Barrel Sauna to increase air flow circulation as well as ventilation when the sauna is not in use.

Vent Kit

Contents

Stainless Steel 3"x 7" Grill (X2)

Cedar Vent Cover

1 ½" Stainless Steel screws (X13)

Tools Required

Hole saw or drill bit to drill holes

Cordless Drill

Robertson bit



** If a Change Room is added to the Panoramic Barrel Sauna then a second vent kit will be sent as well.*

The Location of the vents in a panoramic sauna will be in the same location whether an electric heater or wood burning heater was chosen



Inlet Vent on front wall



Outlet Vent high up close to dome wall

Vent Kit (Option)



Dundalk Leisure Craft Panoramic Barrel Sauna Vent Kit Assembly Instructions

Drill inlet holes centered underneath the heater.

Fig.1

*** A 2" diameter hole saw was used for these pictures but more holes with a smaller drill size will also work.**

Install 1 of the stainless steel vent grills over the inlet holes on the outside of the sauna centered over the holes using 1 1/2" screws. (6pcs) **Fig. 2**



Fig.1



Fig.2

On the middle stave, close to the dome, drill the outlet holes in the same manner as the previous step. **Fig.3**

(Ensure you are on the inside of the aluminum band before drilling) **Fig.4**

Install the other Stainless Vent cover over the outlet holes on the outside using 1-1/2" stainless steel screws. (6pcs)

***To prevent water from entering sauna when it rains, Do not place holes any higher than the middle stave.**



Fig.3



Fig.4

Install the cedar vent cover over the outlet holes on the inside of the sauna with a 1 1/2" screw.

Fig.5

*** Tighten screw enough that the vent cover still rotates smoothly. Fig.6**



Fig.5



Fig.6

Vent Kit (Option)



Dundalk Leisurecraft

Sauna Light Assembly Instructions

(Optional)

If a light is ordered, Dundalk Leisurecraft supplies the light fixture only.

The light switch and any other electric components need to be purchased separately and should be installed according to the light manufacturers instructions and by a licensed electrician.

We cannot supply any other electrical components needed to wire up the light.

For outdoor saunas, you can use weatherproof boxes, conduit and light



Weatherproof Conduit & Light Switch



*Weatherproof Light Switch
(purchased separately)*

If you are installing a light switch on the outside of your sauna, it is recommended to install it outside the door using the appropriate weatherproof conduit and switches.



Dundalk Leisure Craft

Sauna Light Assembly Instructions

(Optional)



Recommended low profile "pancake box" rather than standard octagon box. This can be surface mounted flush inside of the sauna with light fixture fitting over the box.



The best placement for your light would be to the side or above the door on the front wall.
You can also install on the ceiling.
(Do not install light where you may hit your head on it)

Installing the light under one of the benches can create a relaxing ambiance within the sauna that many customers enjoy.

PRODUCT MAINTENANCE:

1. To clean the outside of the fixture, use a dry or slightly dampened clean cloth (use clean water, never a solvent) to wipe the surface of the fixture.
2. To clean the inside of the fixture, first disconnect power to the fixture by turning off the circuit breaker or by removing the fuse at the fuse box. Next, use a dry or slightly dampened clean cloth (use clean water, never a solvent) to wipe the interior surface of the fixture.
3. Do not use any cleaners with chemicals, solvents or harsh abrasives. Use only a dry soft cloth to dust or wipe carefully.

Sauna Light (Option)



Dundalk Leisure Craft

Cedar Barrel Sauna Assembly Instructions



Line up the cove pieces starting with the smallest pieces on the end and working towards the middle forming a semi circle.

Place 2 ½" screws in the pre-drilled holes to assist in the assembly of the cove.



Center the 2 middle (longest) pieces under the lip of the sauna.

Ensure cove pieces are tight to the wall of the sauna.



Secure with 2 ½" screws from the underneath.



Fasten each cove piece to the next through the pre drilled holes on the front of each piece using a 2 ½" screw

Cove Assembly (Option)



Dundalk LeisureCraft Cedar Barrel Sauna Assembly Instructions



Continue building the cove from the middle until the cove is complete.



When installed, the cove should be centered and tight together and to the wall of the sauna.

Enjoy your new sauna cove!



Cove Assembly (Option)

Congratulations on the assembly of your new Western Red Cedar Panoramic Barrel Sauna!



For assistance in the assembly of your Barrel sauna please visit our support page at:

<https://www.dundalkleisurecraft.com/support/>

Or to view the assembly process got to:

<https://www.youtube.com/watch?v=0k40eB2dY5k>

Completion/Maintenance/Warranty



MAINTAINING YOUR SAUNA AFTER INSTALLATION

Interior

It is recommended to vacuum or sweep out the inside of your sauna frequently to remove dirt and other debris. Under normal conditions, a slight wash of the floor and benches with warm soapy water several times a year will maintain its cleanliness. You can use a sheet of fine grit sandpaper or a low pressure wash to remove more stubborn stains or for a deeper cleaning of the interior of your sauna.

Never use ammonia or harsh cleaners as they can turn the wood gray.

Exterior

Depending on the humidity and weather conditions in your area, the cedar will either shrink or expand based on the amount of moisture absorption. The desired effect is to have the cedar expand into the bands therefore making the sauna staves much tighter.

Over time the lumber will weather naturally as a result of sun and rain, it will change into a weathered grey colour. This natural weathering will not harm the wood or impair the sauna's performance.

If you wish to retain the natural color of your Dundalk Leisurecraft Sauna, there are many cedar stains on the market and almost as many opinions as to which is best.

We encourage you to rely on your own research and referrals.

Recommended Stains Include:

Behr Premium Semi-Transparent Waterproofing Stain & Sealer

Sikkens Proluxe Cetol SRD Translucent Stain

<https://www.realcedar.com/outdoor/finishing-choices/>

Note: never treat the interior of the Sauna, and never apply paint or varnish to the exterior.

You may need to tighten the bands after a period of time, usually within the first few months.
(Barrel Saunas Only)

Water Seepage

Some minor water seeping into the sauna is expected and normal for an outdoor sauna. If your sauna is properly installed, you should not have water dripping in but you should expect some water seepage, especially on the top and sides of the sauna.

This is due to the porous characteristics of the wood and to the ball-and-socket profile design of the staves.

Water Seepage will not harm the sauna. The moisture will evaporate once you turn on the heater and the sauna heats up.

If the water marks are bothersome, they can be easily removed with a light sanding (80 or 100 grit)

To minimize seepage, select a location for your sauna that is under cover, or choose one of our roofing options.



Normal Water seepage





HOW TO TAKE A SAUNA

1. Pre-heat your sauna to the desired temperature (usually between 80-100°C)
2. While it's warming up, take a nice hot shower.
3. Enter the pre-heated sauna, relax and allow your body to perspire in the soft dry heat. Do not throw water on the rocks during the first part of the session.
4. Cool off with a cold shower or a quick swim in a lake or pool.
5. Re-enter the sauna and sprinkle water on the rocks. This will increase humidity to assist in perspiration. Half a cup every 5 minutes should be enough. Too much water will just cool off the rocks and you'll get less steam.
6. After a 20-30 minute sauna, cool off in the shower or lake or pool.
7. Repeat this sauna/cold shower process as often as desired.
8. After each use, leave the door fully open for a few hours if possible so the wood can dry out.

**These are guidelines only. Enjoy your sauna in whichever way you desire.
Children must be supervised by an adult.**

WARRANTY

Dundalk LeisureCraft Inc. warrants our saunas against defects in materials and workmanship under normal/residential use for a period of five (5) years, as applicable, from the date of receipt of the product by the original end-user consumer. This warranty does not apply to normal wear and tear and/or natural weather conditions. This warranty does not cover regular required maintenance of the sauna, (eg. Tightening bands on the barrels, cleaning or staining the sauna) refer to your sauna assembly manual for maintenance guidelines. This warranty does not cover misuse or negligence and the manufacturer and associated retailers are not liable for any injury or damage caused by the product. This warranty is a parts only warranty and any service or labor costs would not be considered as part of the 5 year warranty.

Purchaser Name: _____ Date: _____

Purchased From: _____