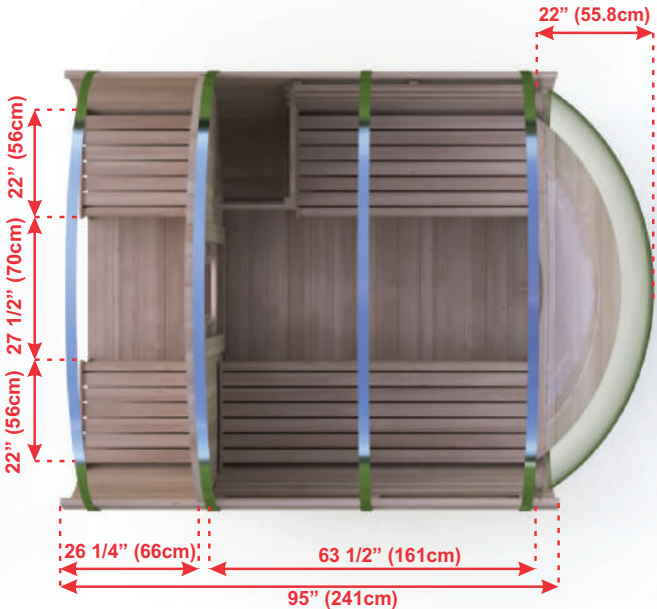
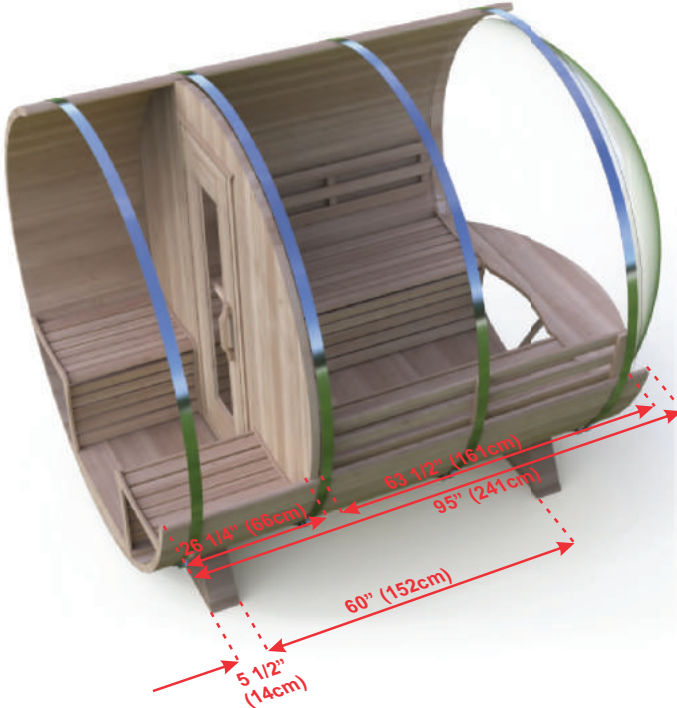


MODEL 760PV With Porch

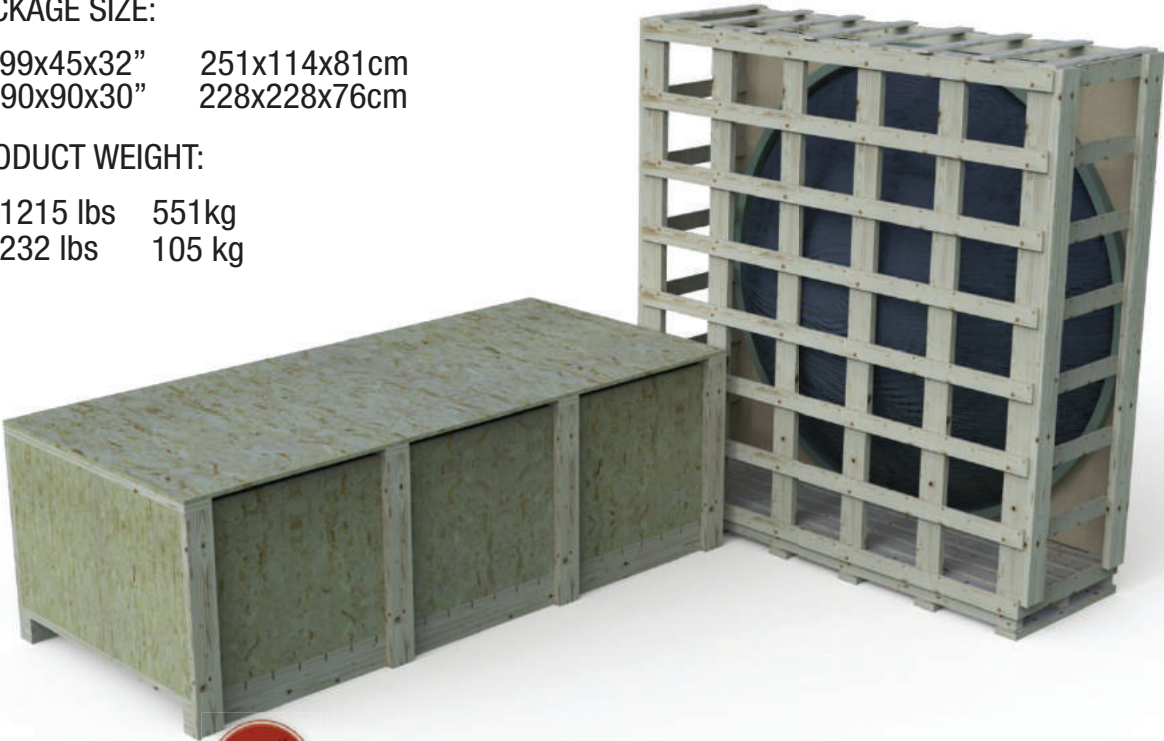


PACKAGE SIZE:

- 1. 99x45x32" 251x114x81cm
- 2. 90x90x30" 228x228x76cm

PRODUCT WEIGHT:

- 1. 1215 lbs 551kg
- 2. 232 lbs 105 kg





BARREL SAUNA PACKAGE FEATURES:

- Made in Canada with Canadian Cedar
- Easy to assemble package.
- Marine Grade aluminum bands with stainless hardware.
- Bronze tempered glass in door.
- Package includes Towel Bar and 2 Backrests.

BARREL SAUNA PACKAGE OPTIONS:

- 2' (60cm) Front Porch
- 4' (120cm) Changeroom with Benches
- Overhang Cove on Front
- 2 Windows in Front Wall
- Woodburning or Electric Heaters
- Signature Bench Upgrades

