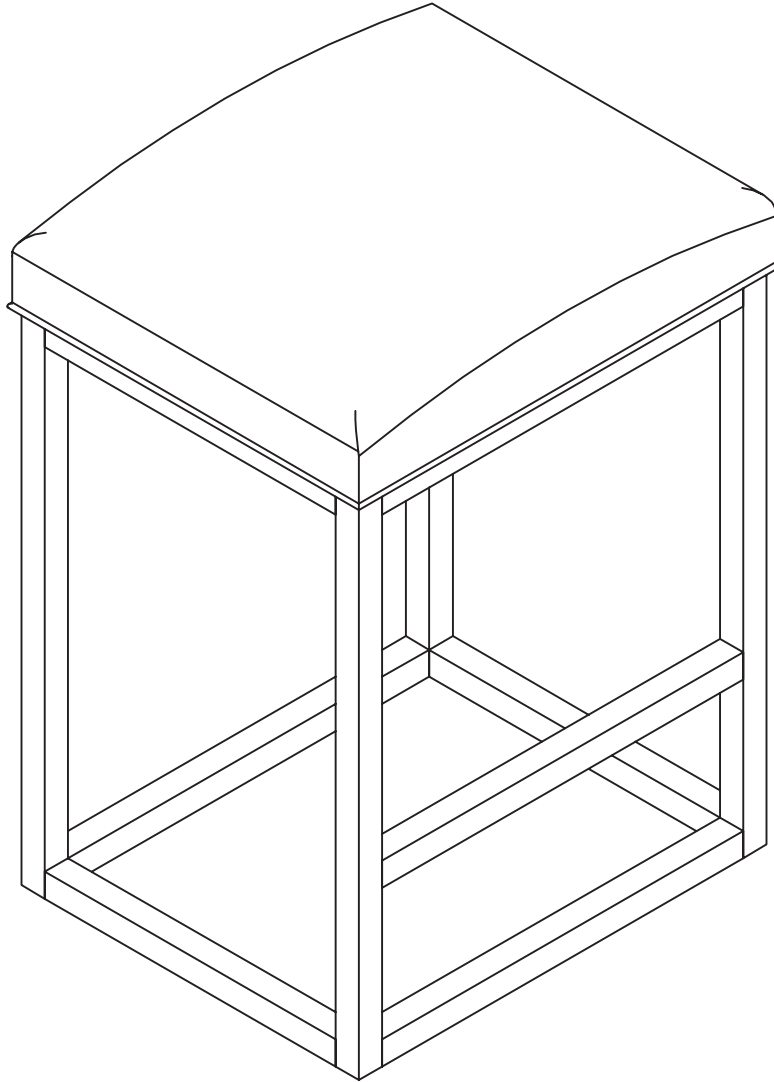


NATHAN JAMES



Product name

Contact

**Nelson
Bar Stool**

Toll-free at 1-866-619-1004
Help@nathanjames.com
nathanjames.com/help

Ok, let's get rolling

This should be easy, just follow our instructions and you will be back to Netflix in no time.

Estimated time for assembly



25:00

What you need

- Some of your favourite bubbly or your preferred relaxant
- Use the packaging carton as a working surface to prevent product damage during assembly
- Phillips head screwdriver

Weight Limitation



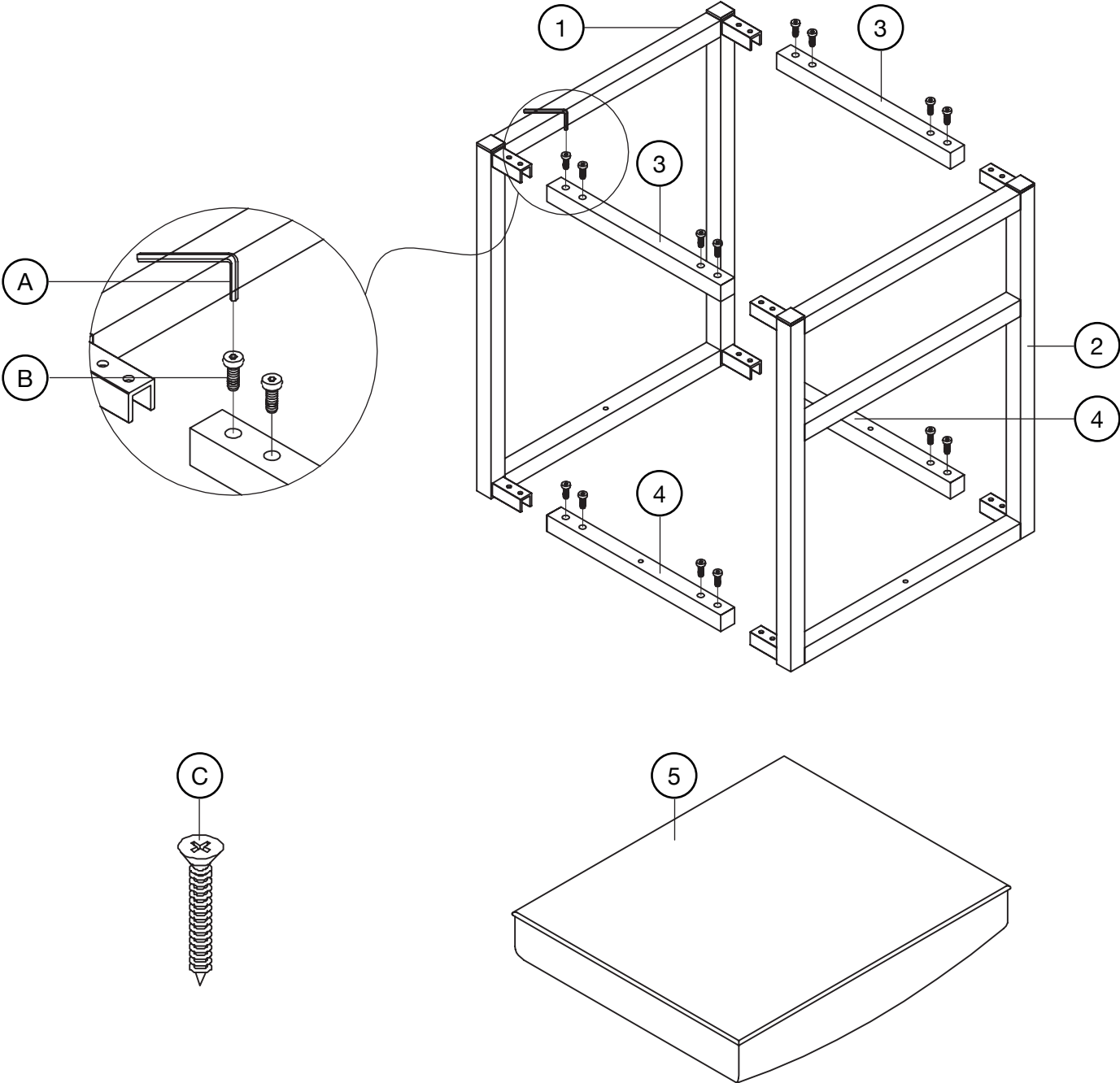
275
lbs

What's included

Code	Description	Qty
1	Frame 1	1
2	Frame 2	1
3	Frame 3	2
4	Frame 4	2
5	Seat	1
A	Allen Key	1
B	Screw M6*13	16
C	Screw M4*40	4

Toll-free at 1-866-619-1004
Help@nathanjames.com
nathanjames.com/help

The goods

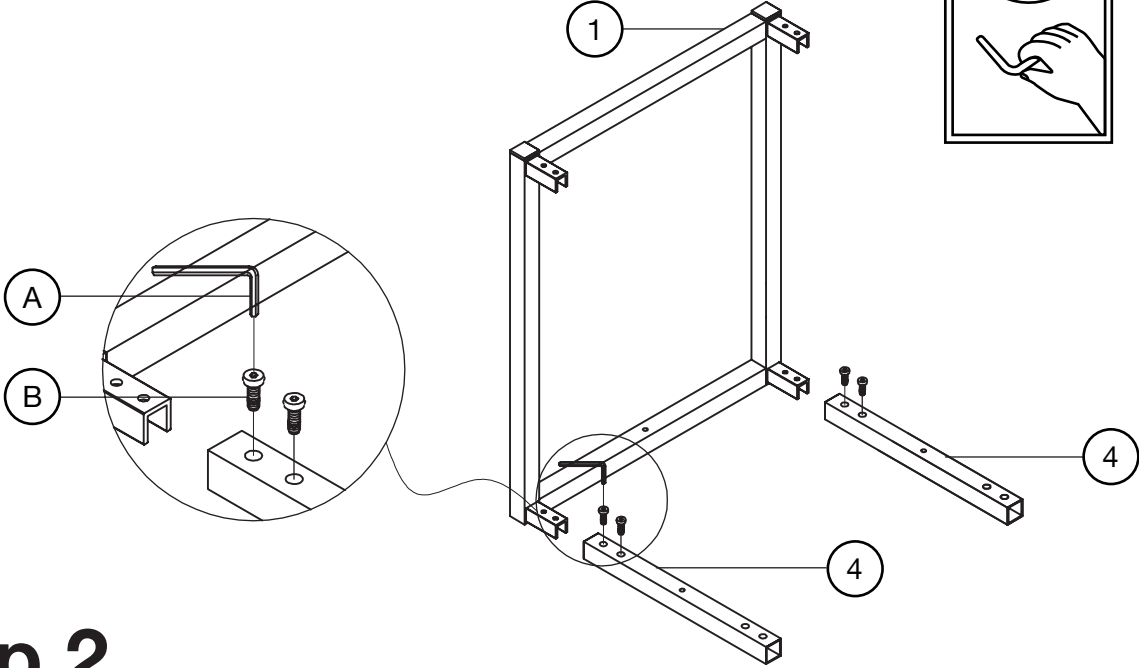


IMPORTANT:

- 1. Do not tighten bolts / screws completely until all bolts / screws are lined up and inserted into holes.
- 2. Do not over tighten screws and bolts to avoid stripping.
- 3. Please use hand tools to assemble this product. Do not use power tools.

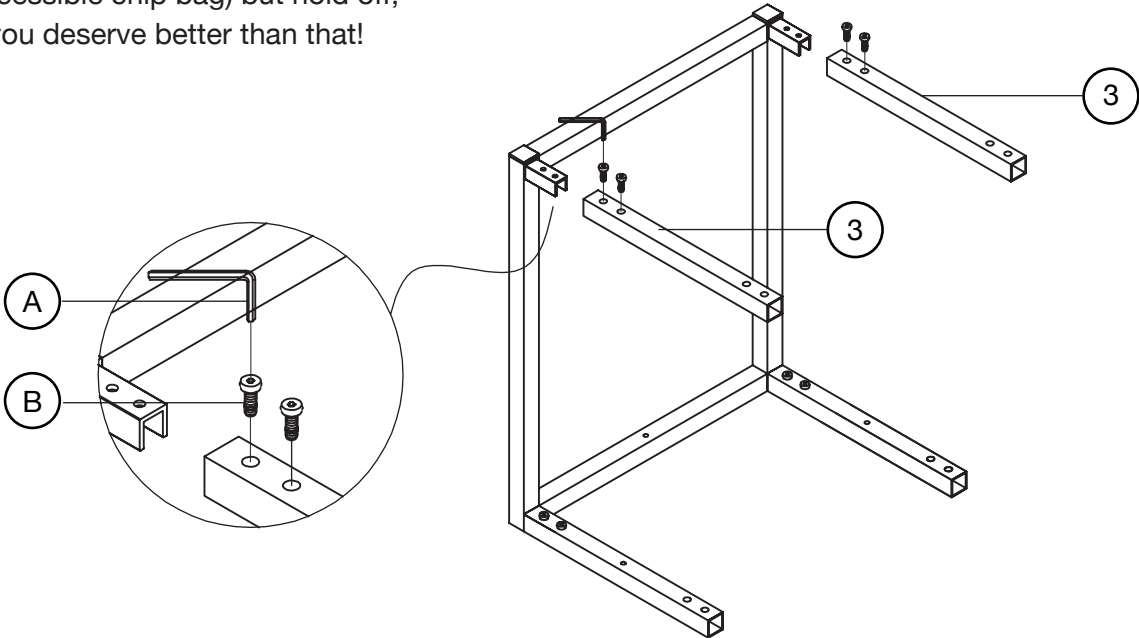
Step 1

It's as easy as it looks! Insert **Frame 4** legs into **Frame 1**, then use the allen key to secure **(B)** screws.



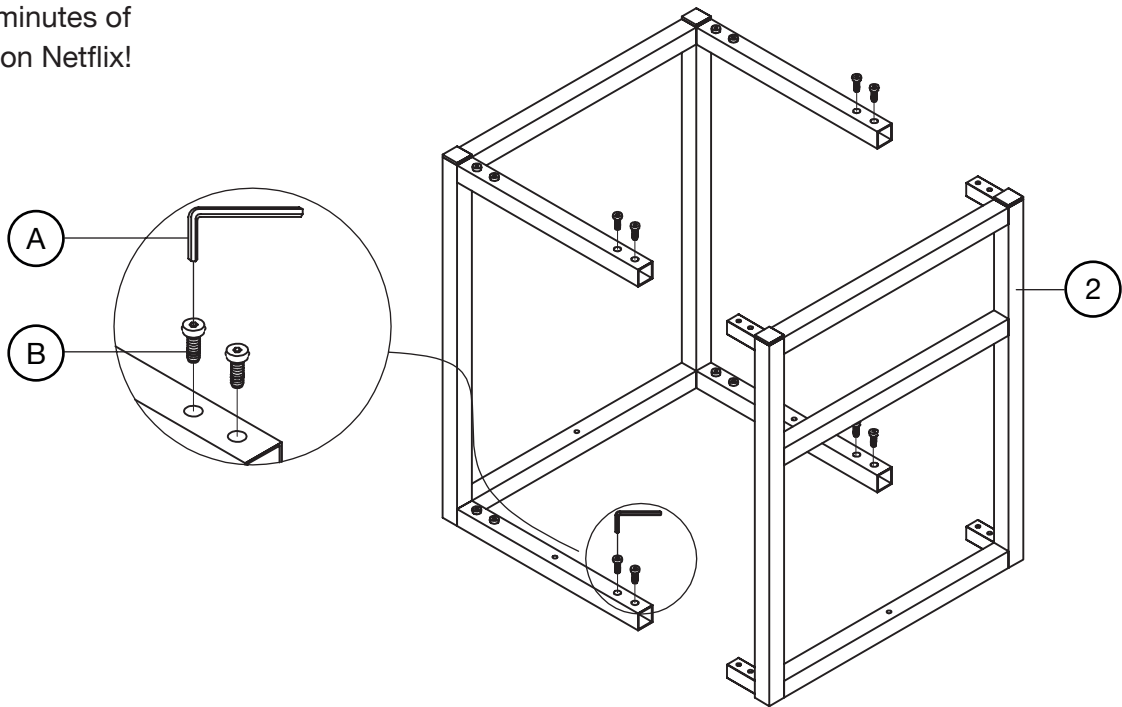
Step 2

I know... we're thinking the same thing, I'm hungry. Luckily, this assembly is very easy and will be done in no time. (Yes we're looking at you, accessible chip bag) but hold off, because you deserve better than that!



Step 3

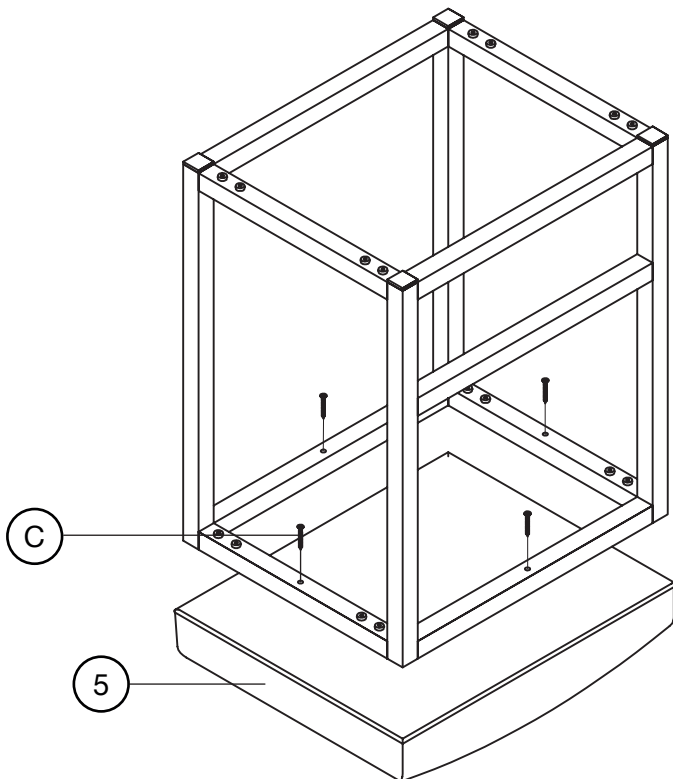
You're within minutes of pressing play on Netflix!



Step 4

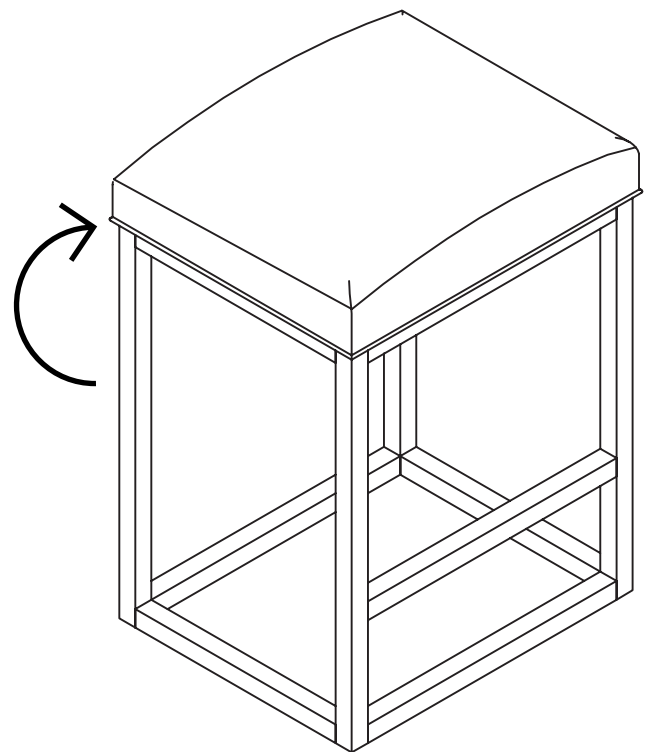


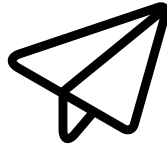
Use Phillips head screw driver to secure your seat.



Step 5

Flip it on over & take a seat!





No heartburn, when we handle the return

Give us a call **1-866-619-1004** or shoot us a message at **help@nathanjames.com** we will issue you a free replacement with **zero hassle**.

Our way



Give us a call

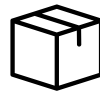


Replacement



You

Their way



Re-package item



Schedule pick up



Track package



Replacement



You

We really don't want you to go through the hassle of re-packaging your item and sending it back, because let's be honest...nobody has time for that.

Safety first, fun later

We want your Nelson Bar Stool to last as long as possible, so we recommend that you tighten the screws 2 weeks after assembly and for added safety check the tightness of all screws every 2 months.

For proper care and treatment of fabric & metal please check our website at nathanjames.com/products

Safety use of this product starts with you.

Use this Nelson Bar Stool responsibly with the primary concern for your safety. Follow assembly instructions carefully and inspect product upon receipt and each use.




Nathan James and its parent companies cannot be held legally responsible for any injuries or death resulted from failure to follow instructions or improper use of this product.

Proper Use

- DO NOT** use for commercial purposes
- DO NOT** frolic on bar stool
- DO NOT** use bar stool as foot stool
- DO NOT** leave spilled liquid on seat
- DO NOT** use bar stool if damaged
- DO NOT** make temporary repairs
- DO NOT** use outdoor

We are only in business if you're happy

For starters,
thanks for being you.

 Toll-free at 1-866-619-1004
 Help@nathanjames.com
 nathanjames.com/help

We do our best to ensure your furniture arrives without any problems, but occasionally mistakes happen - as humans we are imperfect beings. In the event that a part is damaged or missing, we will be more than happy to provide you with replacement part(s) for free.

Warranty

Manufacturer-guaranteed lifetime warranty.
Please use your phone to scan the QR code to register your product or visit <https://goo.gl/i9dk3q>



Did we do alright? Please spread the love!

If you are happy with your product, tell your friends and family about us or even better leave us a review online. Spreading the word gives us the opportunity to make more people happy and keep our prices low for your next purchase.

Brooklyn Burdon

- Founder, Nathan James