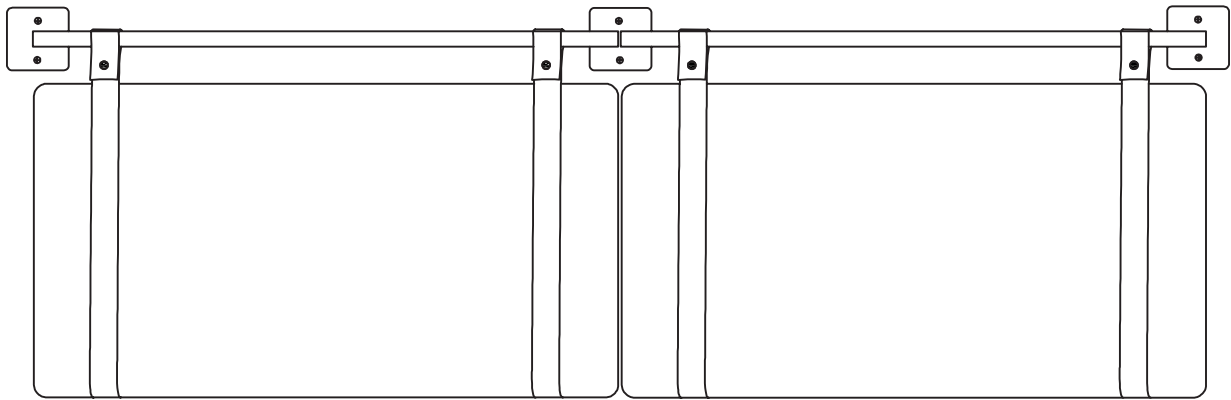


NATHAN JAMES



Product name

Contact

**Harlow
Headboard**

Toll-free at 1-866-619-1004
Help@nathanjames.com
Nathanjames.com/help

20-0420

Ok, let's get rolling

This should be easy, just follow our simple instructions and you will be back to Netflix in no time.

Estimated time for assembly



30:00

What you need

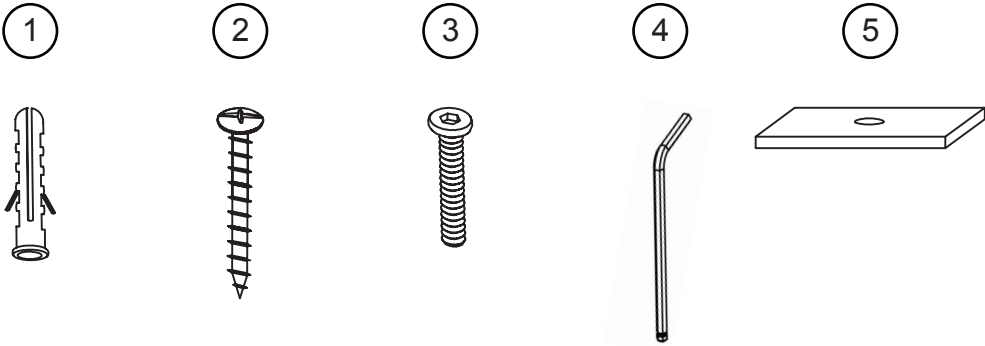
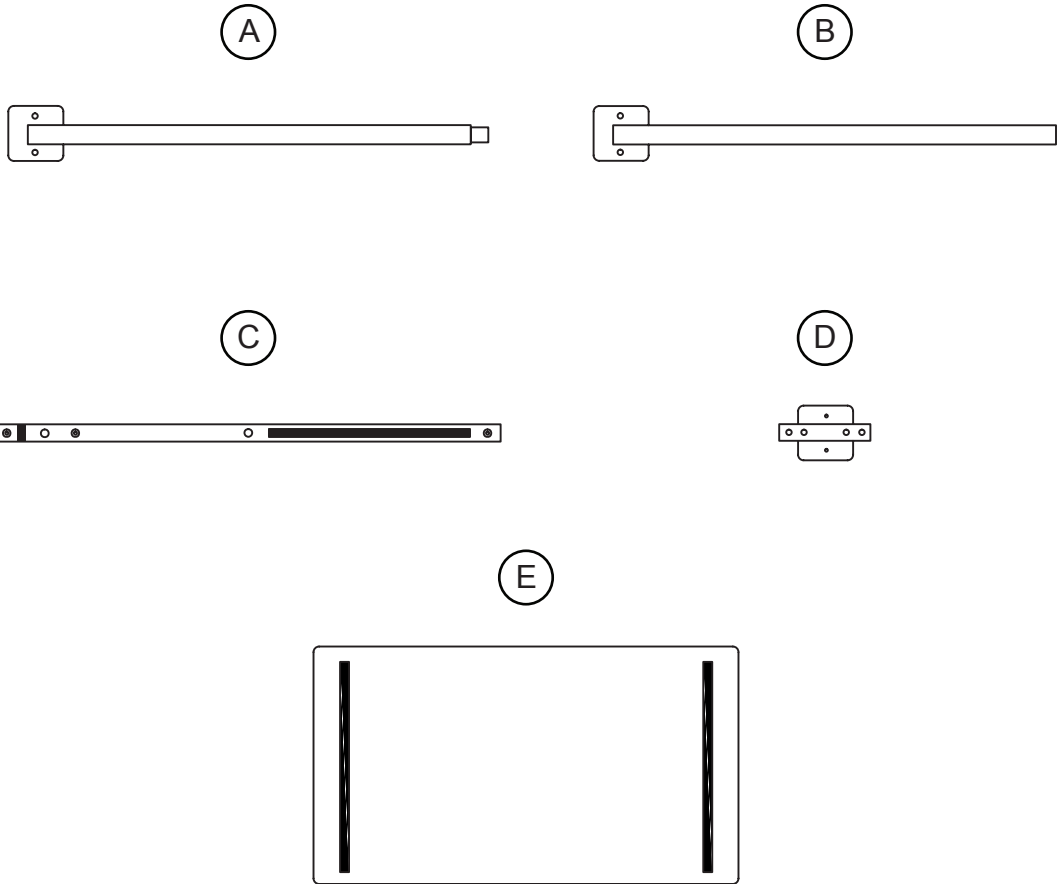
- Some bubbly or your preferred relaxant
- Use the packaging carton as a working surface to prevent product damage during assembly
- Allen key (provided)
- Phillips head screwdriver

What's included

| Code | Description | Qty |
|------|-----------------------|-----|
| A | Left metal rail | 1 |
| B | Right metal rail | 1 |
| C | Strap | 4 |
| D | Metal Connector | 1 |
| E | Headboard | 2 |
| 1 | Anchor | 10 |
| 2 | M4*35mm Screw | 10 |
| 3 | M6*12 MM Bolt | 4 |
| 4 | Allen Key | 1 |
| 5 | 44*15*2MM Metal Piece | 4 |

Toll-free at 1-866-619-1004
Help@nathanjames.com
NathanJames.com/help

The goods

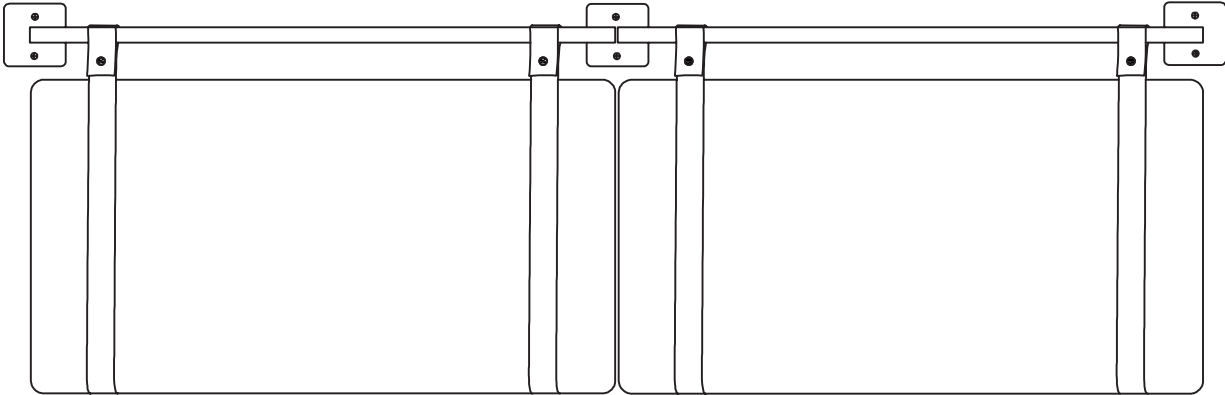


IMPORTANT:

- 1. Do not tighten bolts / screws completely until all bolts / screws are lined up and inserted into holes.
- 2. Do not over tighten screws and bolts to avoid stripping.
- 3. Please use hand tools to assemble this product. Do not use power tools.

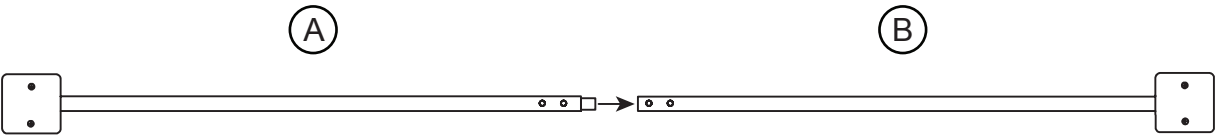
Installation Option 1: With Rails

Psst. Peek over to Page 10 for instructions on how to install the headboard without the railing!



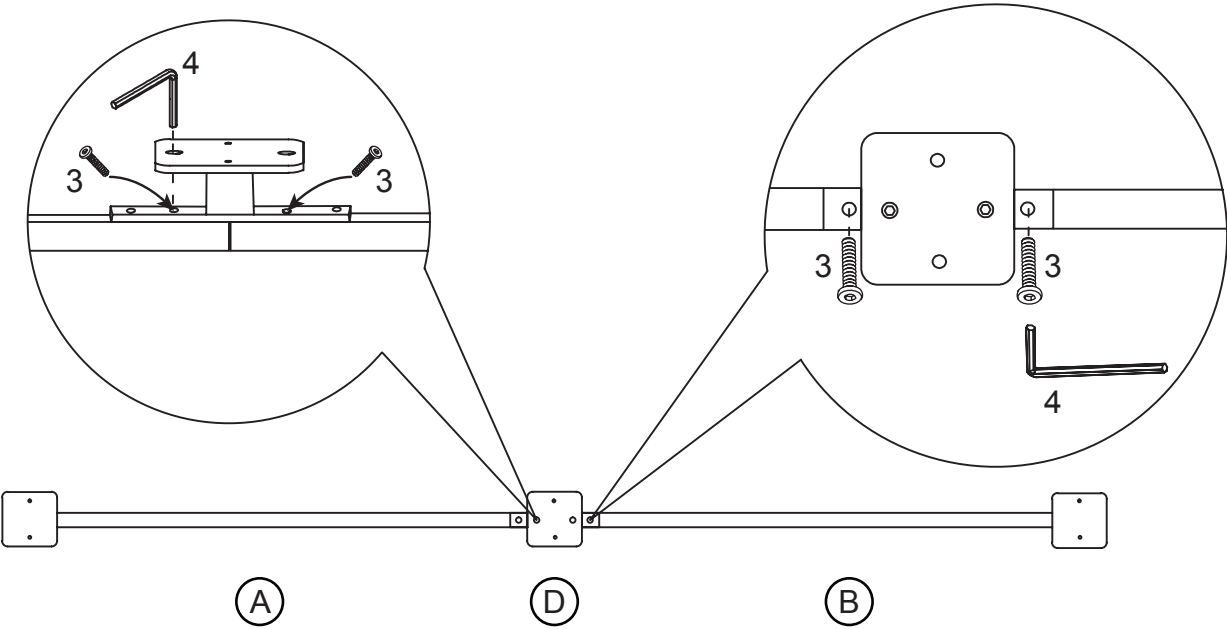
Step 1

Attach the left metal rail (A) and right metal rail (B) together, making sure to line up the holes.



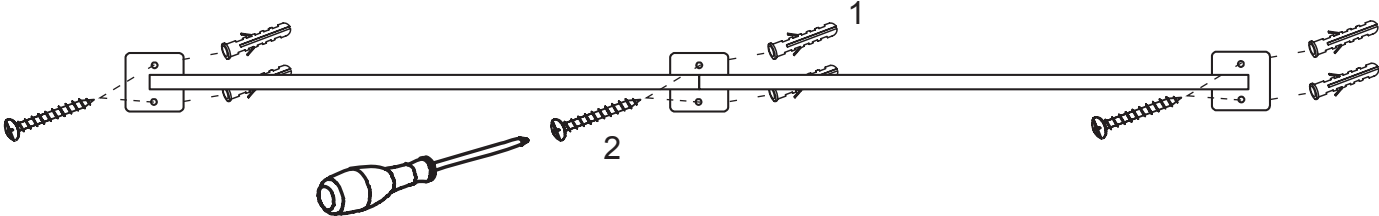
Step 2

Line up the metal connector (D) with the holes on the rails and secure with the M6*12 MM bolts (3).



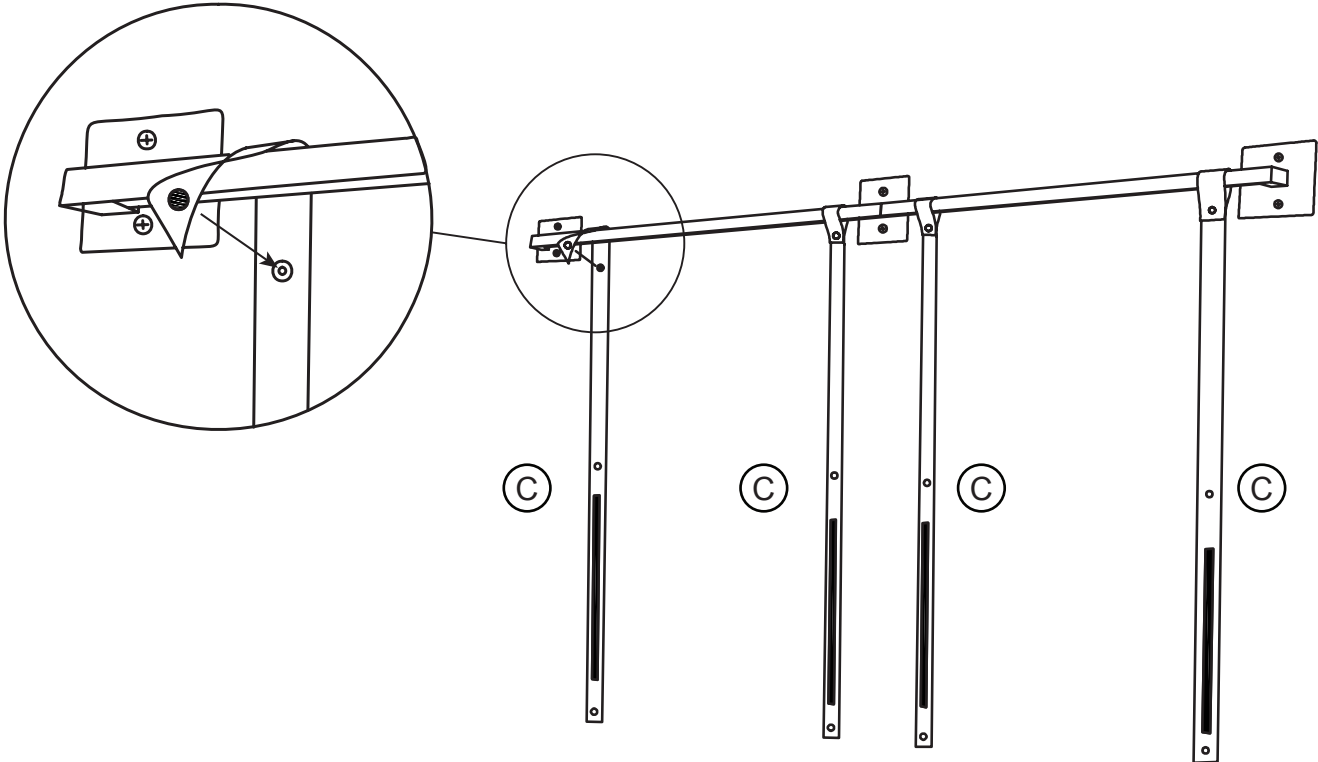
Step 3

Mount metal rail where you want it on your wall using the wall anchors.



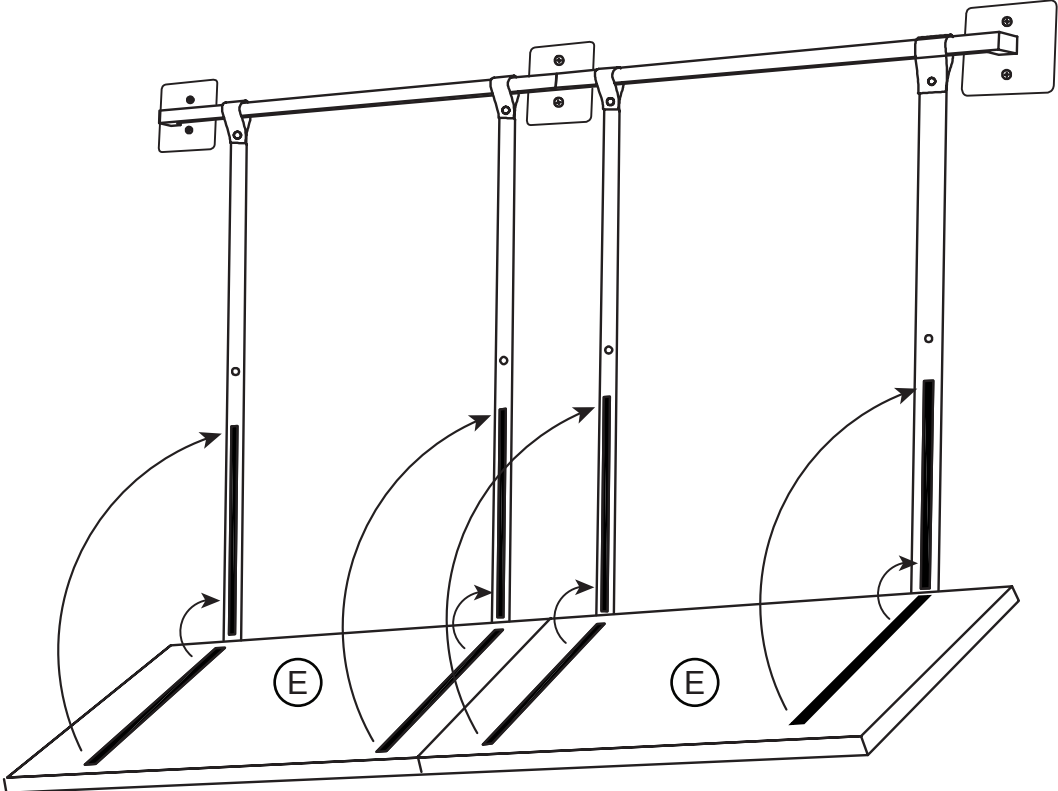
Step 4

Hang straps (C) from metal rail by snapping top buttons.



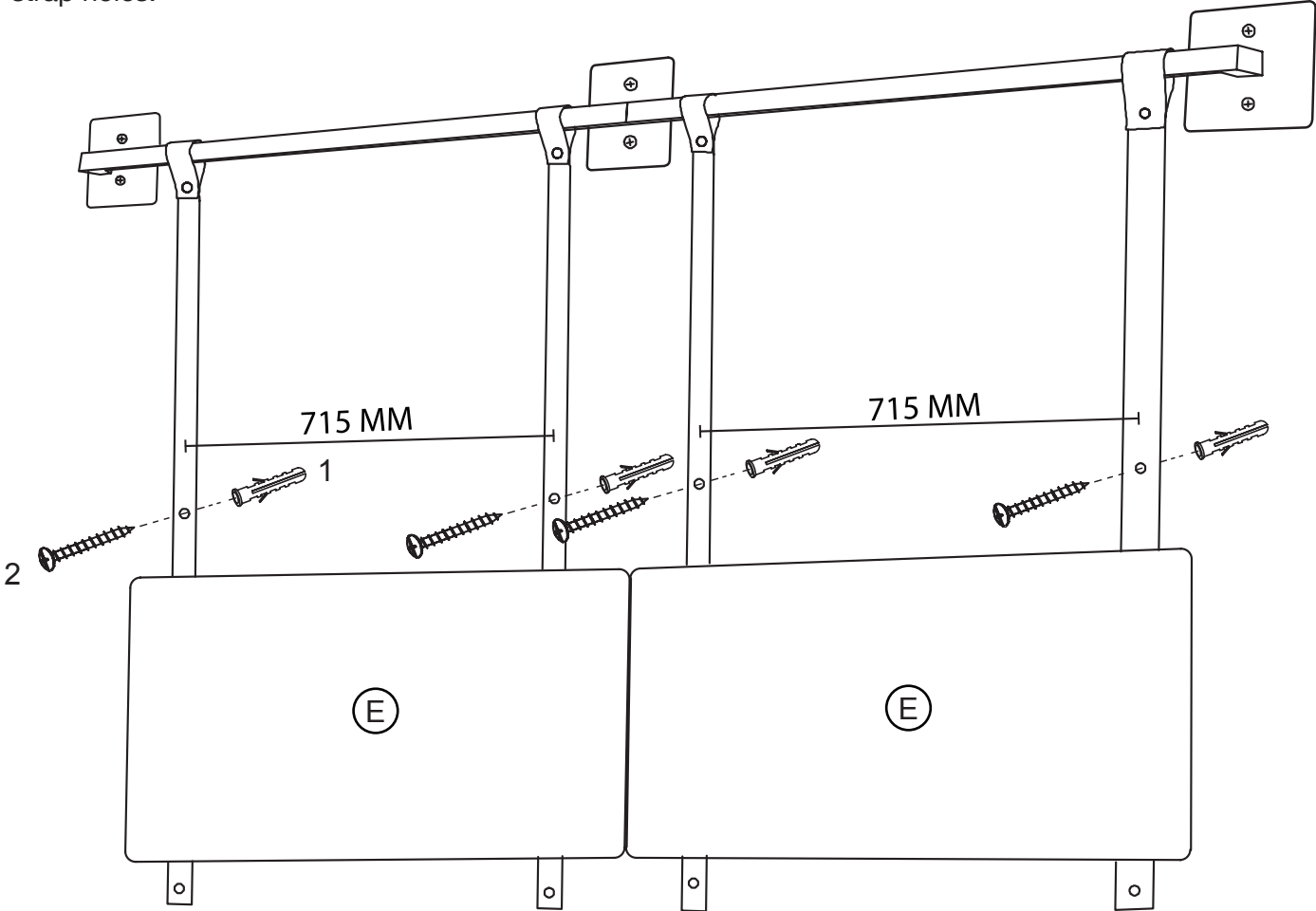
Step 5

Match the Velcro straps between panels and straps and press the headboard piece (E) to the straps.



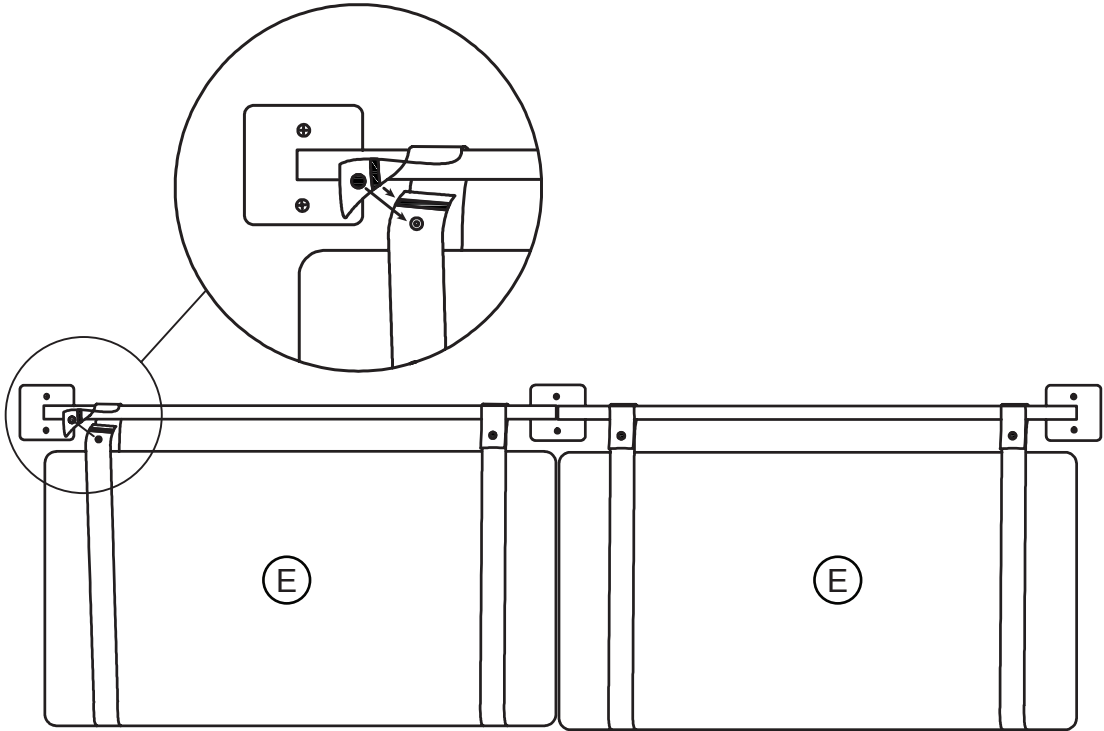
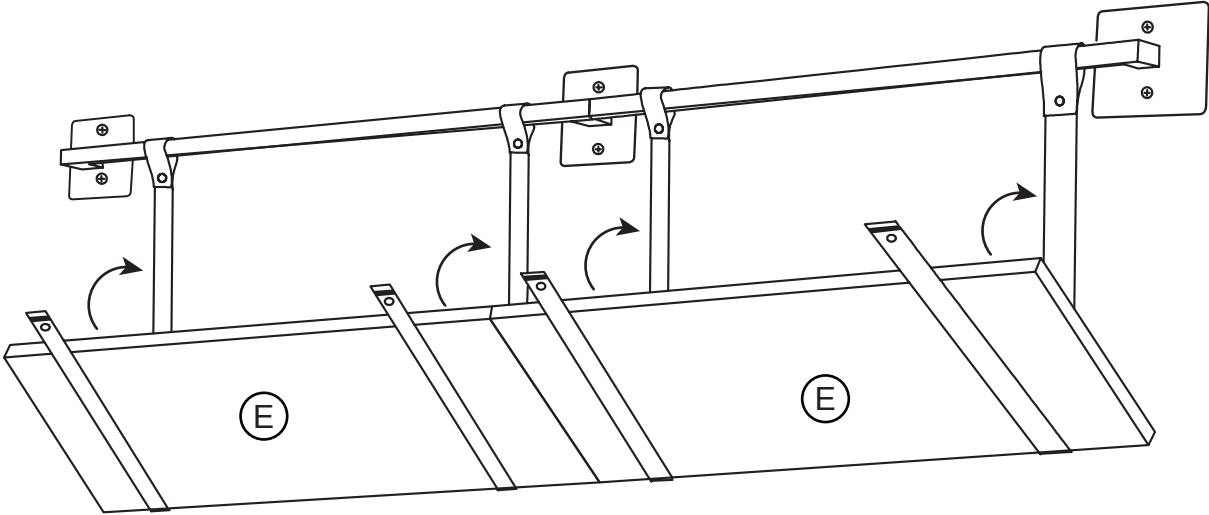
Step 6

Line the bottom holes on the straps to 715 mm apart on the rail and mark holes on the wall. Then, insert wall anchors and then screws into anchors through the strap holes.

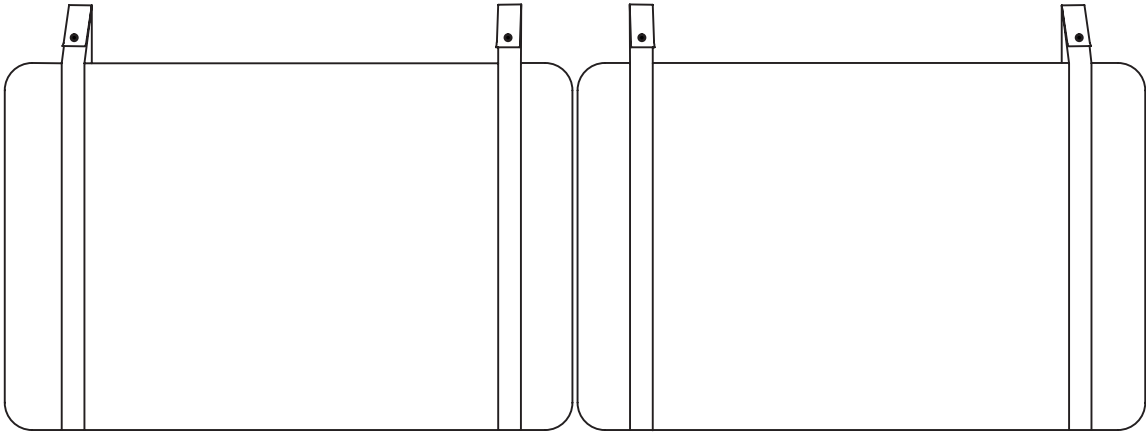


Step 7

Last but not least, flip the panels up, undo top buttons, and then fasten Velcro and top button on the front of the panels.

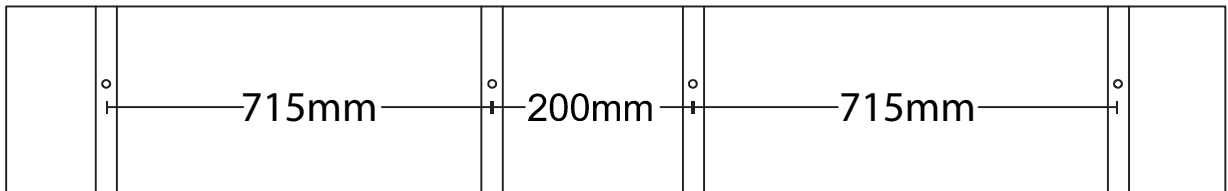
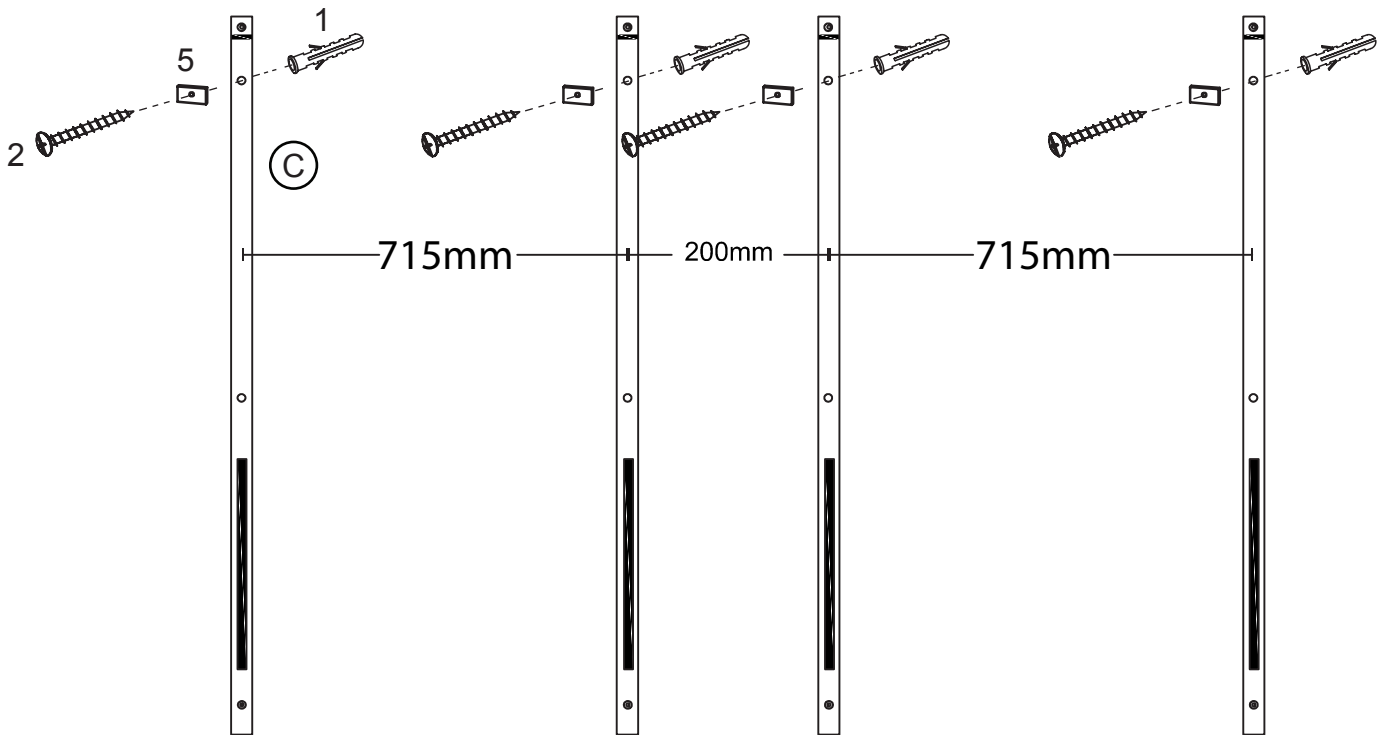


Installation Option 2: Without Rails



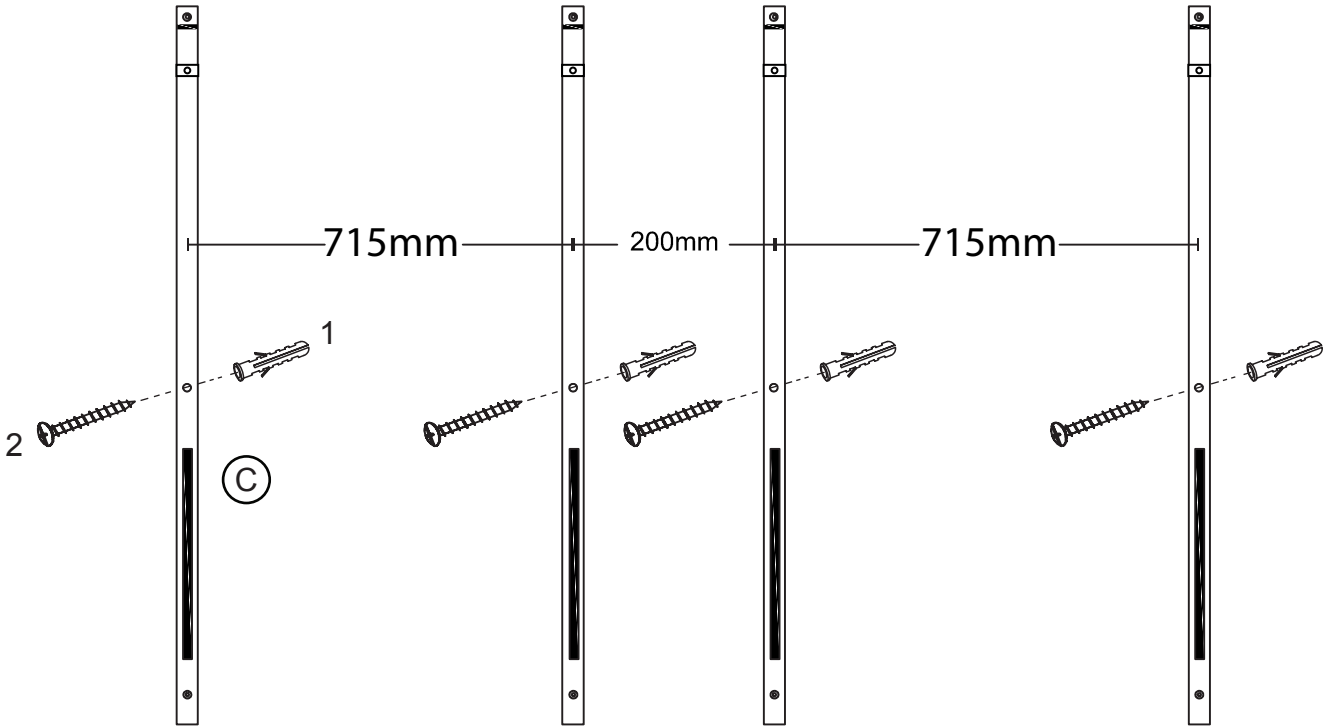
Step 1

Let's get this thing fired up!
Arrange the straps (C) on the walls where you want your headboard to go, making sure the outer straps are 715 mm apart from the middle straps. Make sure the two middle straps are 200 mm apart. Then, secure the wall anchors (1) and metal piece (5) using the M4*35mm Screw (2).



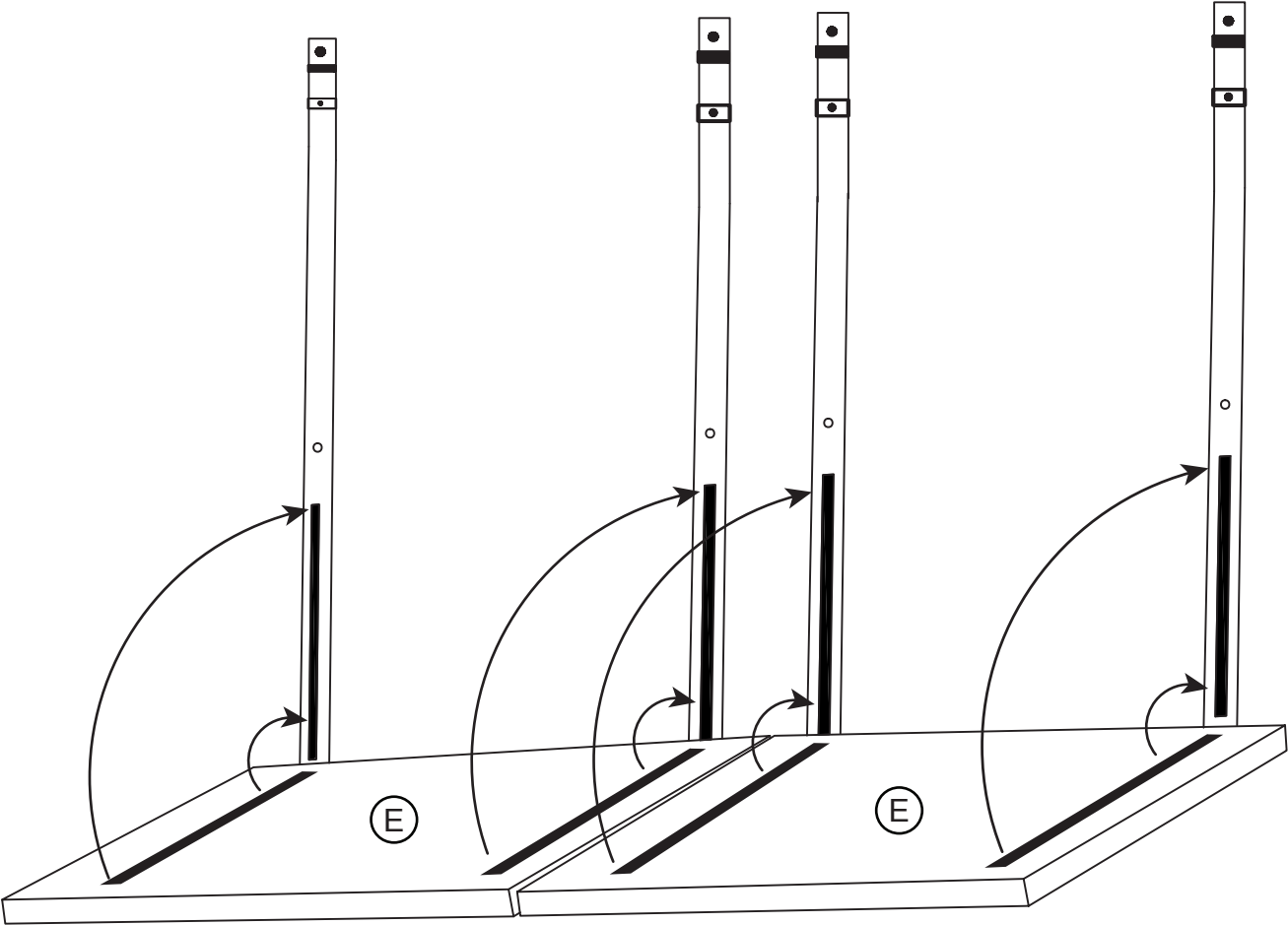
Step 2

Screw on the rest of the wall anchors (1) to the straps. You're doing great!



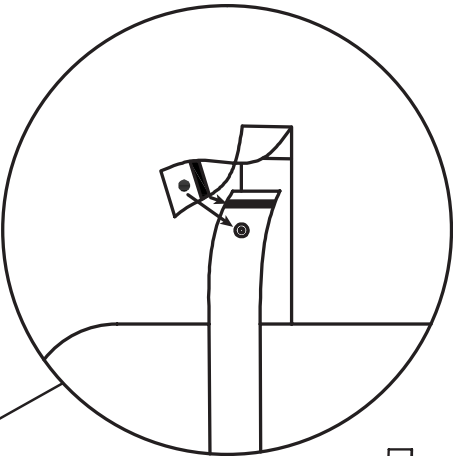
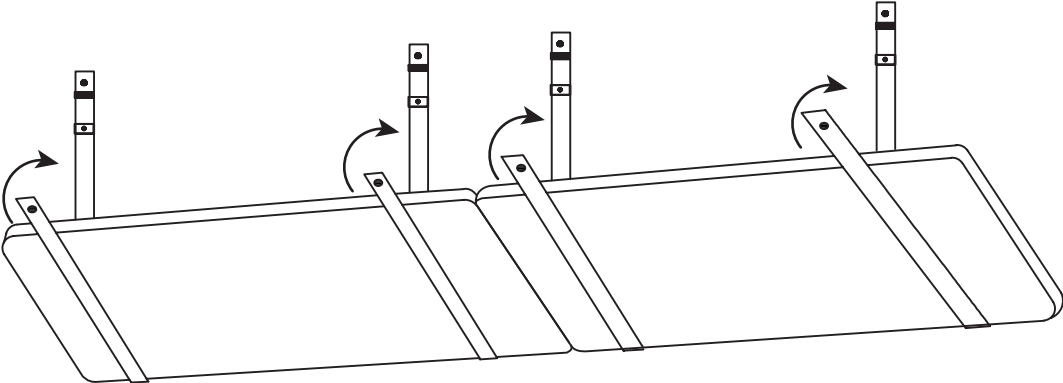
Step 3

Match the Velcro straps between the panels and straps and press the headboard piece (E) to the straps.

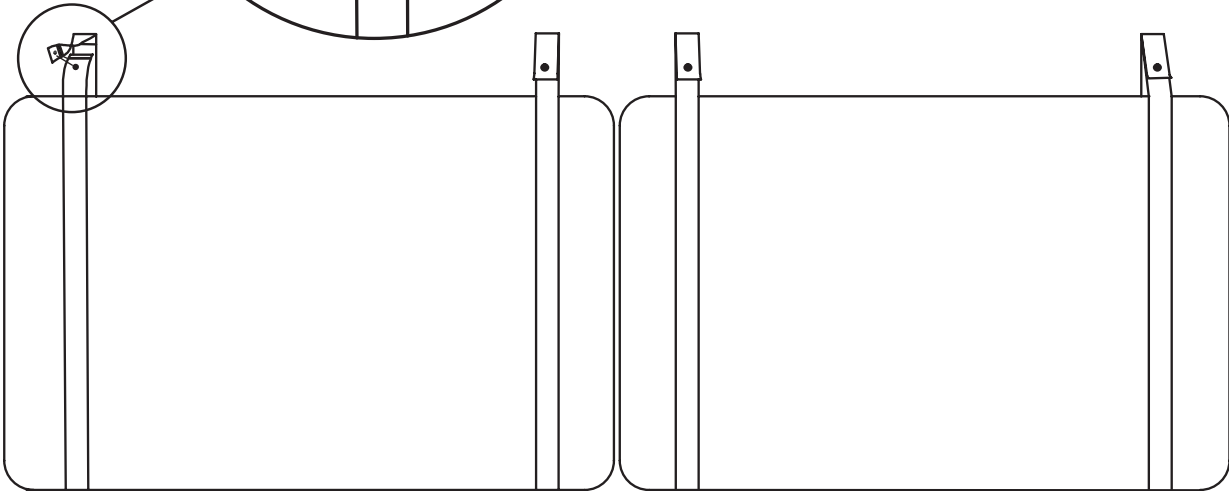


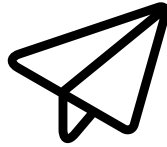
Step 4

Flip panels up, undo top button, and then fasten Velcro and top button of top panel.



You did it! Time to celebrate with delivery pizza? We think yes.





No heartburn, when we handle the return

Give us a call **1-866-619-1004** or shoot us
a message at **help@nathanjames.com**
we will issue you a free replacement
with **zero hassle.**

Our way



Give us a call



Replacement



You

Their way



Re-package item



Schedule pick up



Track package



Replacement



You

We really don't want you to go through the hassle of re-packaging your item and sending it back, because let's be honest...nobody has time for that.

Safety first, fun later

We want your headboard to last as long as possible, so we recommend that you tighten the screws 2 weeks after assembly and for added safety check the tightness of all straps every 2 months.

For proper care and treatment of fabric please check our website at NathanJames.com/products

Safety use of this product starts with you.

Use this headboard responsibly with the primary concern for your safety. Follow assembly instructions carefully and inspect product upon receipt and each use. Nathan James and its parent companies cannot be held legally responsible for any injuries or death resulted from failure to follow instructions or improper use of this product.

Proper Use

- DO NOT** use for commercial purposes
- DO NOT** put on uneven surface
- DO NOT** put hot serving liquid directly on headboard
- DO NOT** use headboard if broken or damaged
- DO NOT** make temporary repairs
- DO NOT** use outdoor

We are only in business if you're happy

For starters,
thanks for being you.

☎ Toll-free at 1-866-619-1004
✉ Help@nathanjames.com
🌐 NathanJames.com/help

We do our best to ensure your furniture arrives without any problems, but occasionally mistakes happen - as humans we are imperfect beings. In the event that a part is damaged or missing, we will be more than happy to provide you with replacement part(s) for free.

Warranty

This product comes with a lifetime warranty from the date of purchase. Please use your phone to scan the QR code to register your product or visit <https://goo.gl/i9dk3q>



Did we do alright? Please spread the love!

If you are happy with your product, tell your friends and family about us or even better leave us a review online. Spreading the word gives us the opportunity to make more people happy and keep our prices low for your next purchase.

Brooklyn Burdon

- Founder, Nathan James