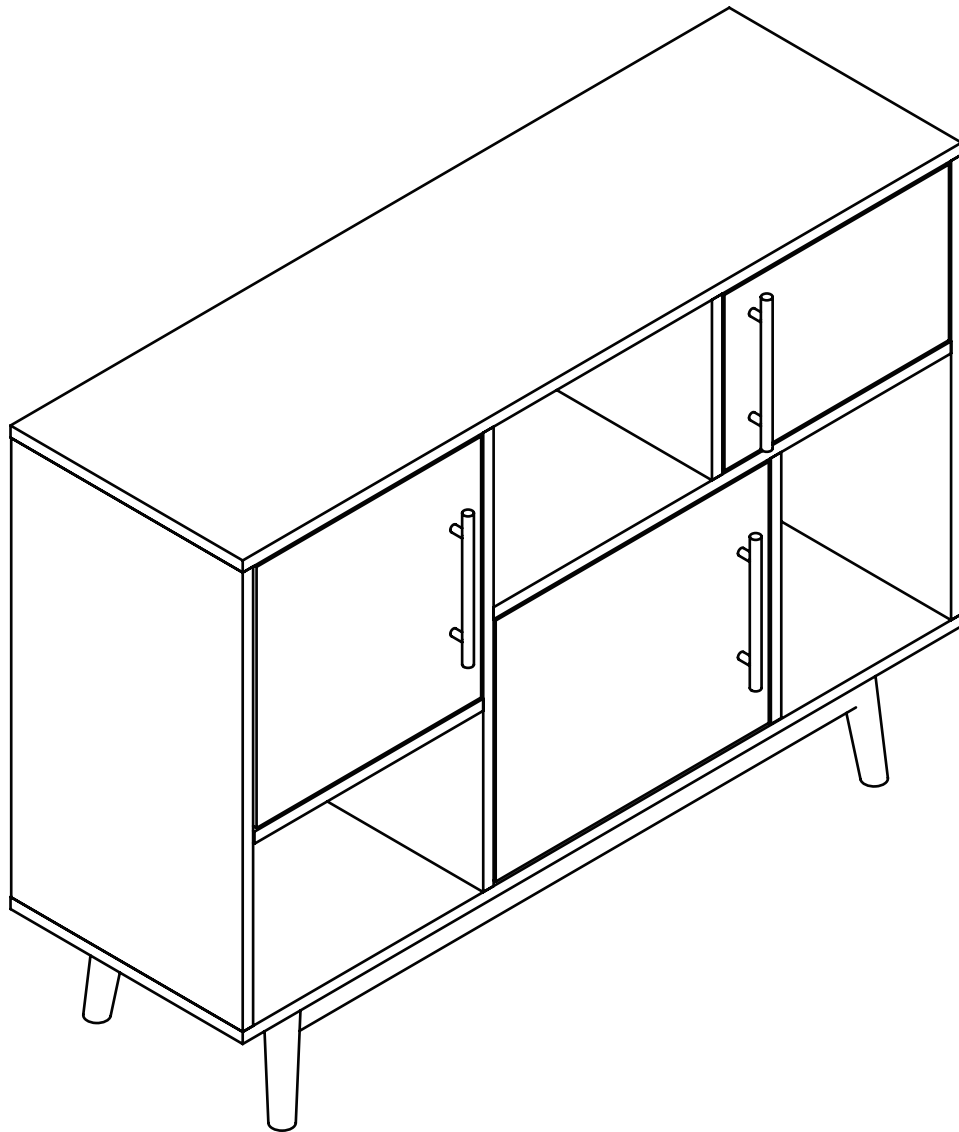


# NATHAN JAMES



Product name

---

Contact

---

**Ellipse**  
**Storage Unit**

Toll-free at 1-866-619-1004  
Help@nathanjames.com  
Nathanjames.com/help

# Ok, let's get rolling

This should be easy, just follow our simple instructions and you will be back to Netflix in no time.

## Estimated time for assembly



70:00

## What you need

- Some of your favourite bubbly or your preferred relaxant
- Use the packaging carton as a working surface to prevent product damage during assembly
- Phillips head screwdriver

## Weight Limitation



200 | 22  
lbs per cabinet

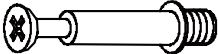
Toll-free at 1-866-619-1004  
Help@nathanjames.com  
Nathanjames.com/help

## What's included

Code	Description	Qty
A	Cam Bolt	14
B	Cam Lock	14
C	Screw M4X40MM	24
D	Screw M4X25MM	16
E	Screw M3X10MM	6
F	Screw M3X14MM	6
G	Screw M4X20MM	6
H	Screw M4X12MM	6
I	Bolt M6X60MM	8
J	Magnetic Cabinet Catcher	3
K	Handle	3
L	Wooden Dowel	36
M	Cabinet Swing Hinge	6
N	Allen Key	1
O	Plastic Strip	1
P	Screw	2
Q	Fabric Tie	2
R	Wall Anchor	2

# The goods

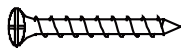
A



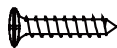
B



C



D



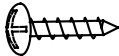
E



F



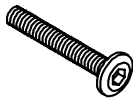
G



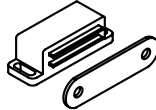
H



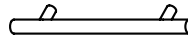
I



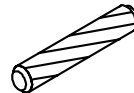
J



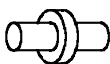
K



L



M



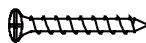
N



O



P



Q



R



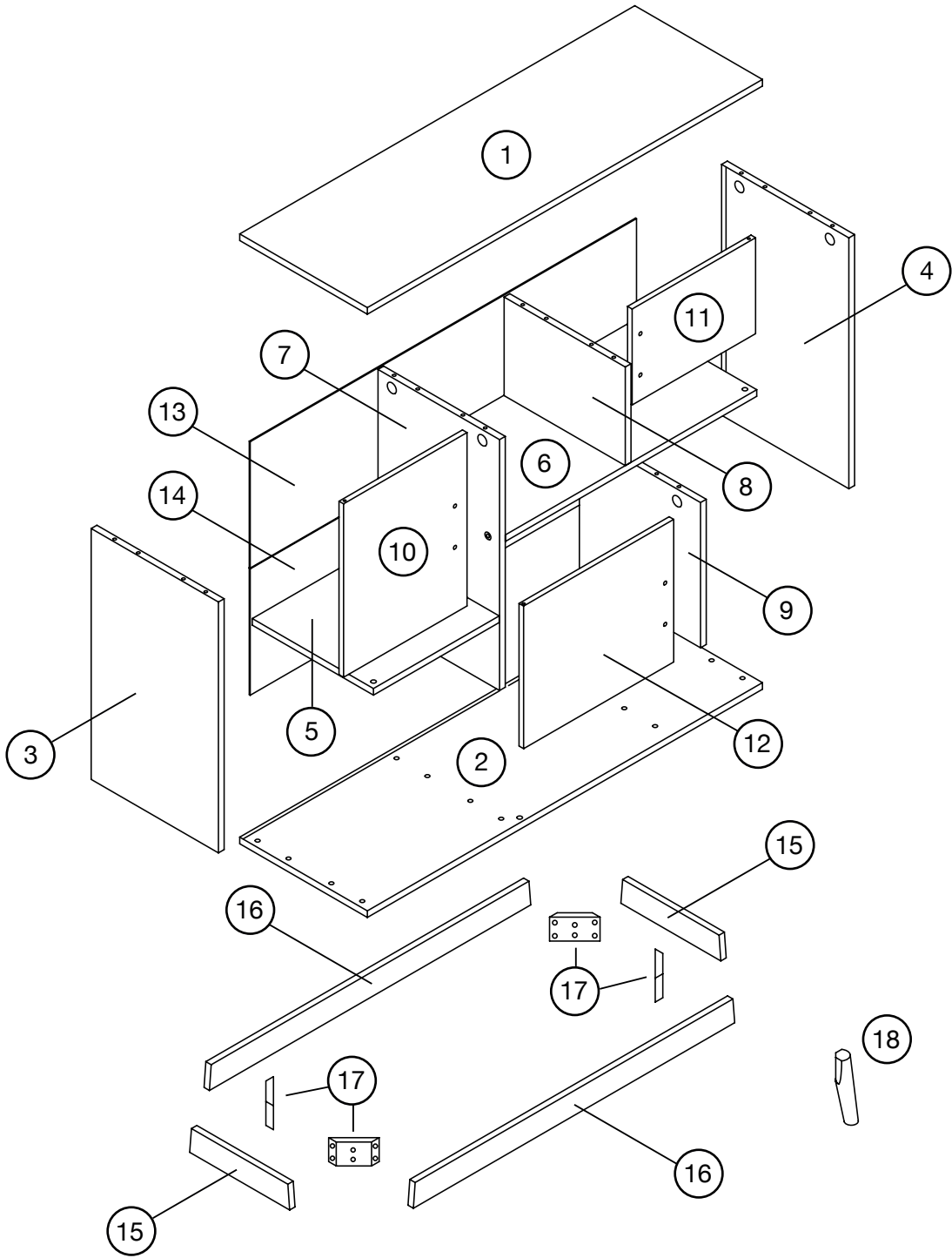
**IMPORTANT:**

- 1. Do not tighten bolts / screws completely until all bolts / screws are lined up and inserted into holes.
- 2. Do not over tighten screws and bolts to avoid stripping.
- 3. Please use hand tools to assemble this product. Do not use power tools.

## What's included

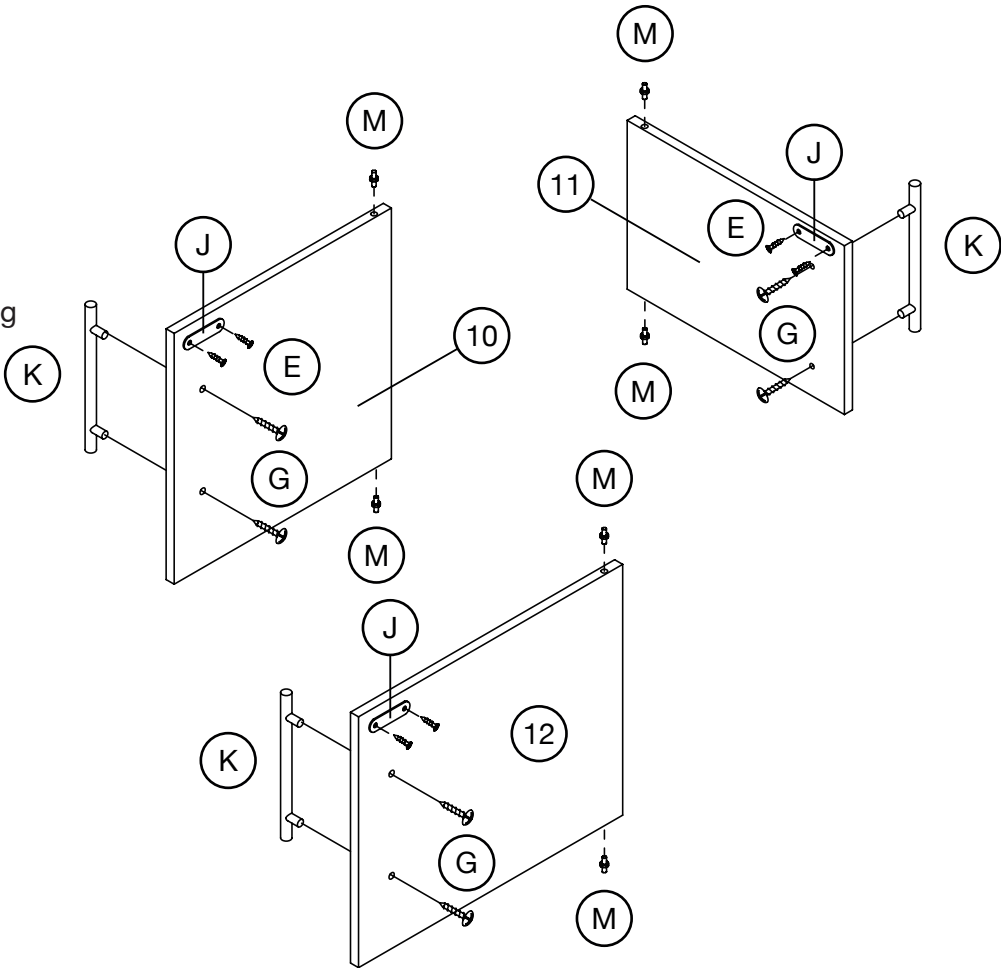
<b>Code</b>	<b>Description</b>	<b>Qty</b>	<b>Code</b>	<b>Description</b>	<b>Qty</b>
1	Top Panel	1	10	Left Front Cabinet Door	1
2	Bottom Panel	1	11	Right Front Cabinet Door	1
3	Left Side Panel	1	12	Center-Middle Front Cabinet Door	1
4	Right Side Panel	1	13	Back Panel	1
5	Left Shelf Divider	1	14	Back Panel	1
6	Middle Shelf Divider	1	15	Left Side Apron Board	2
7	Middle Seperator Panel	1	16	Back Apron Board	2
8	Right Seperator Panel	1	17	Corner Apron Connectors	4
9	Bottom Right Seperator Panel	1	18	Feet	4

# The goods



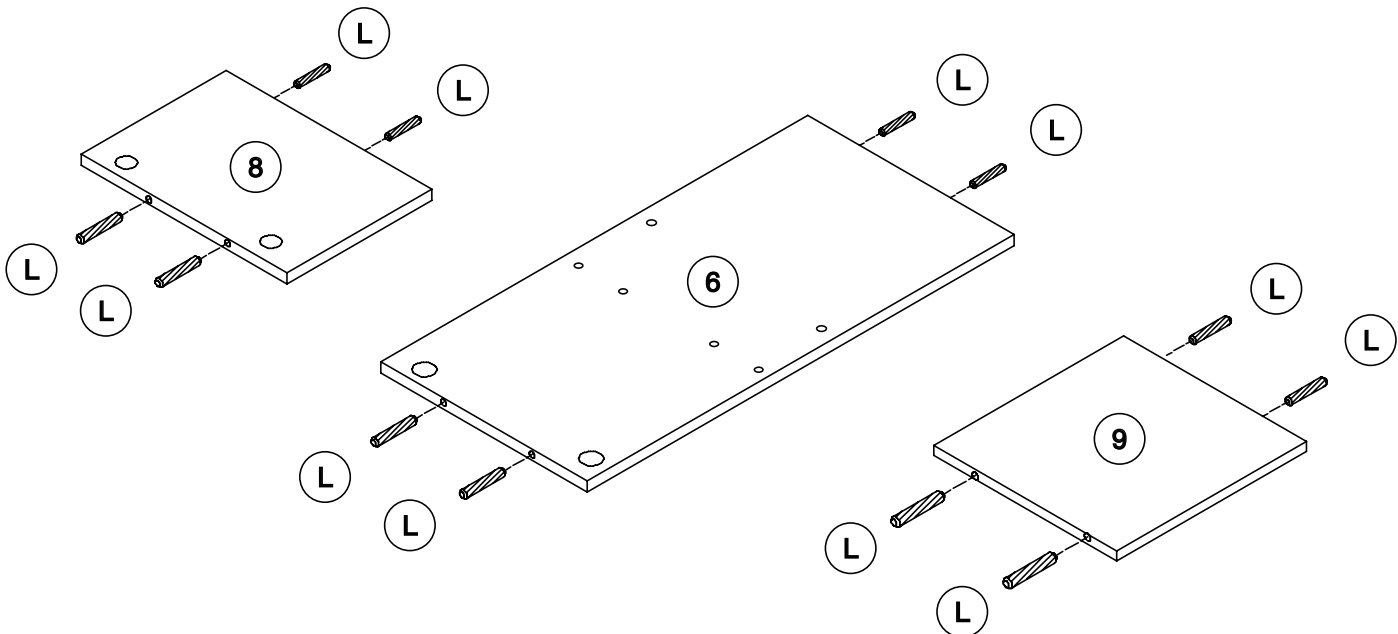
# Step 1

Let's fire this thing up! Leaving you some time to watch a few episodes before the end of the day! Let's begin with assembling the cabinet door handles.



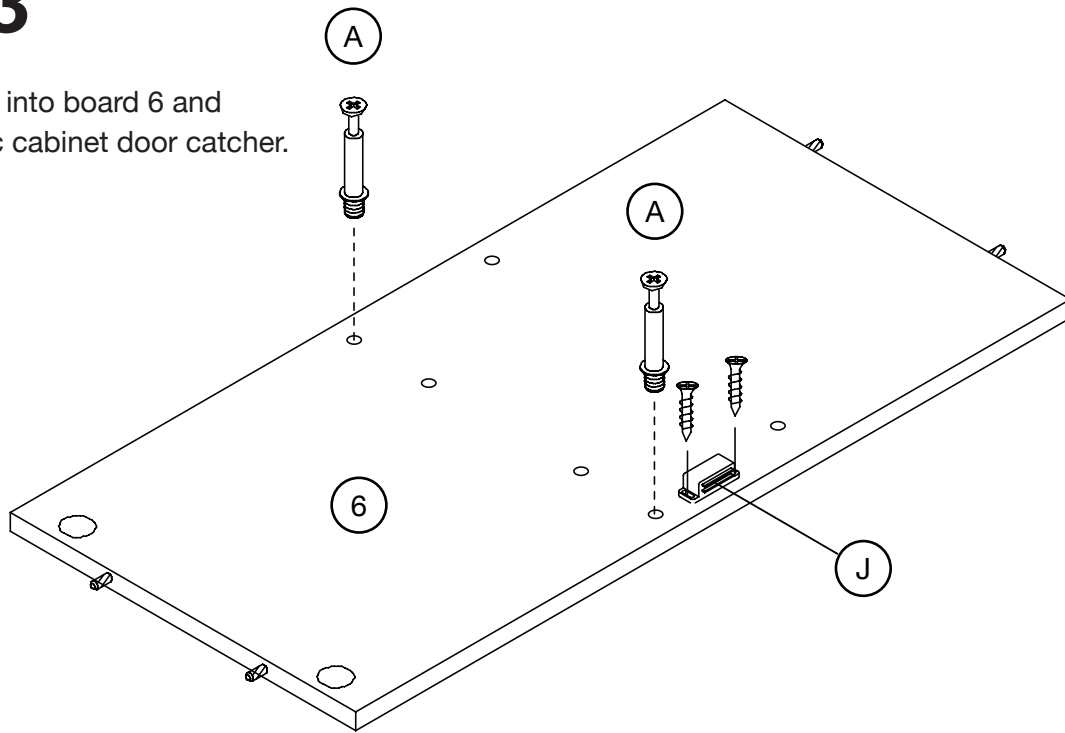
# Step 2

Grab panels (8) & (6) & (9) and insert wooden dowels.



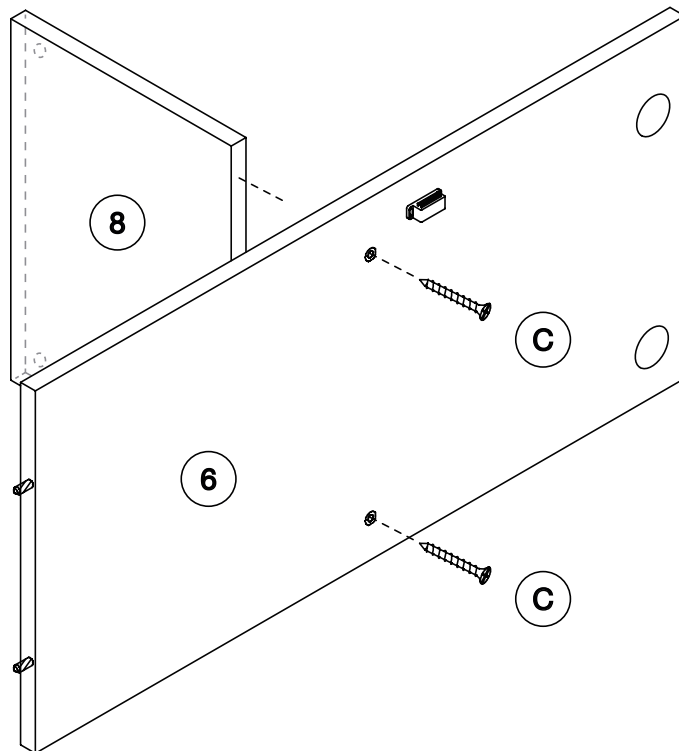
# Step 3

Insert cam bolts into board 6 and secure magnetic cabinet door catcher.



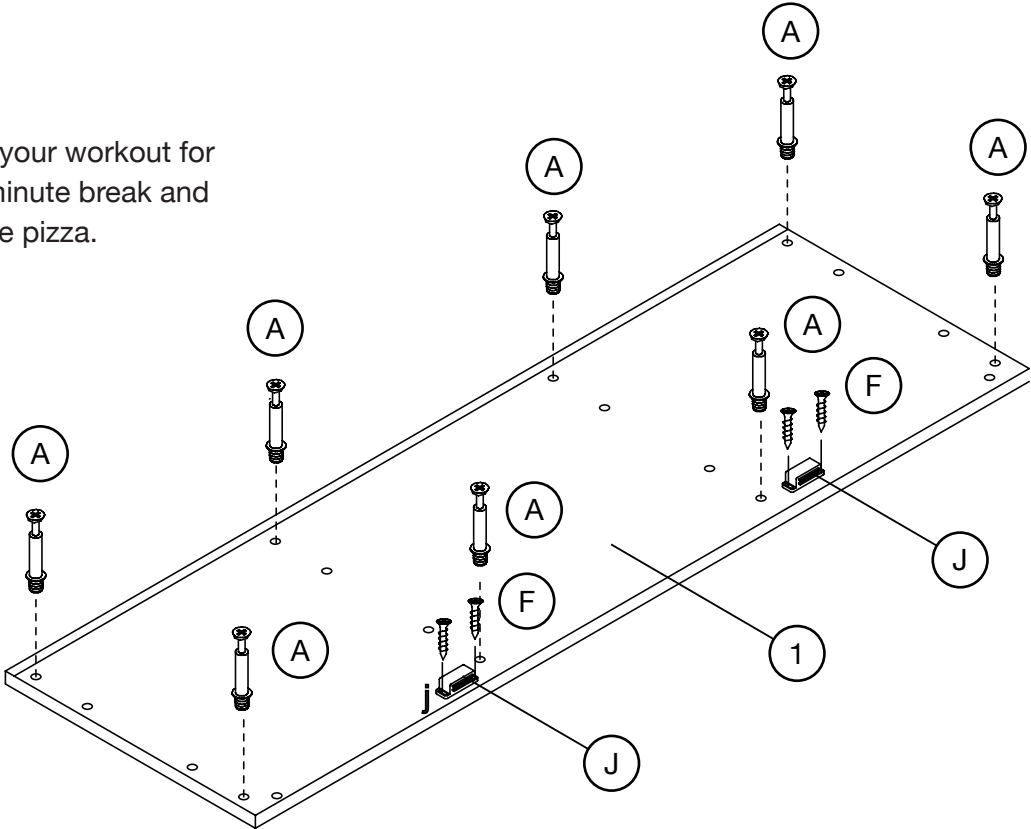
# Step 4

I know... we're thinking the same thing, I'm hungry. (Yes we're looking at you, accessible chip bag) but hold off, because you deserve better than that! You're doing great, connect panel (8) to board (6).



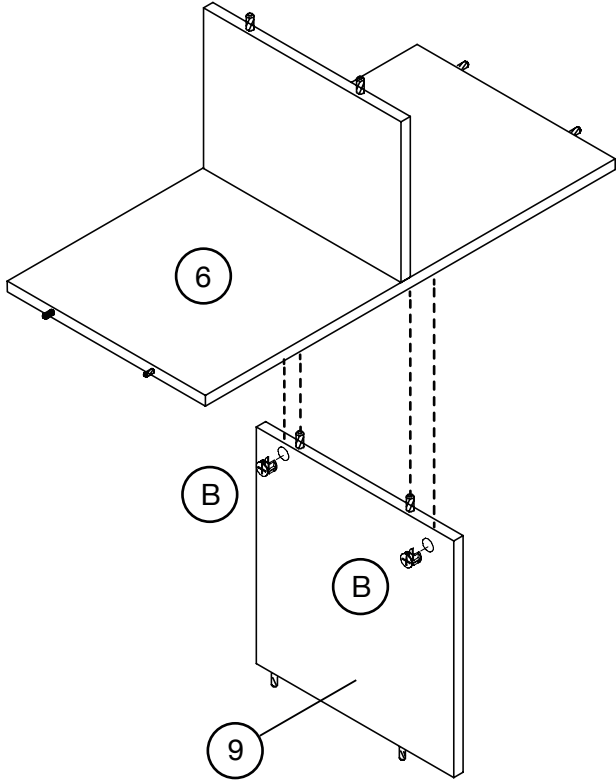
# Step 5

Let's consider this your workout for the day. Take a 5 minute break and order yourself some pizza.



# Step 6

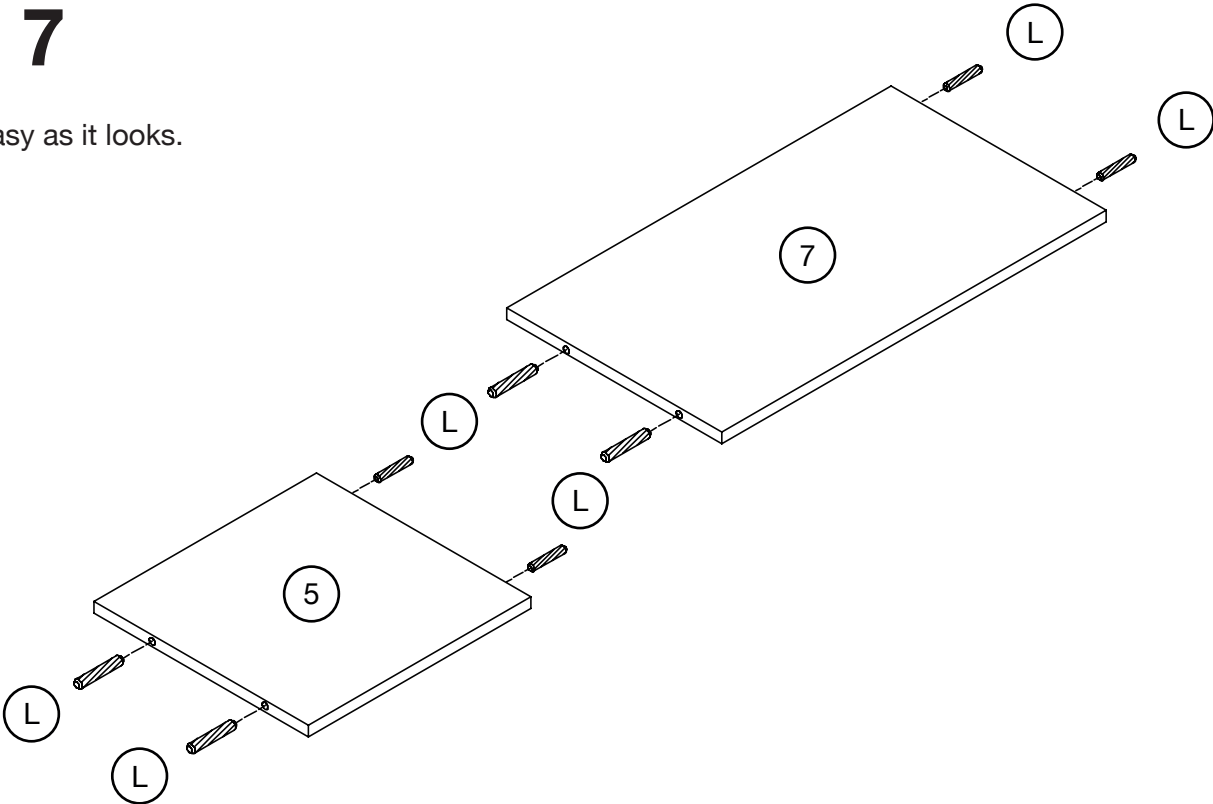
Time to tighten the cam locks.





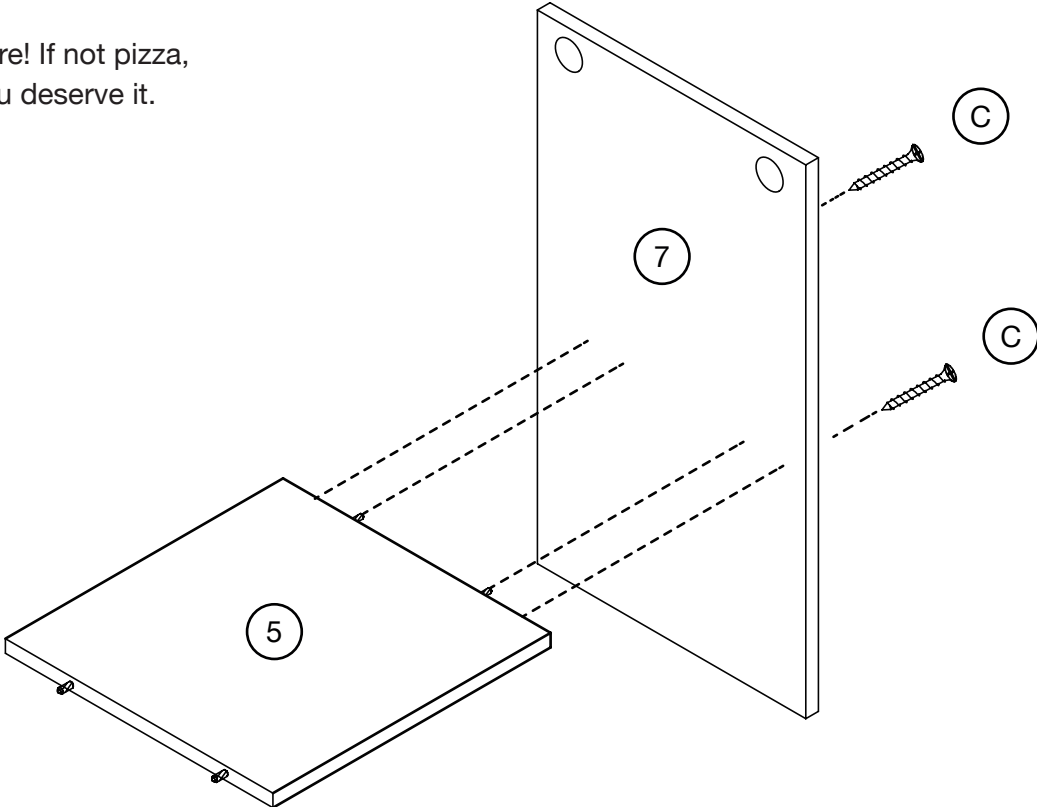
# Step 7

Yup, it's as easy as it looks.



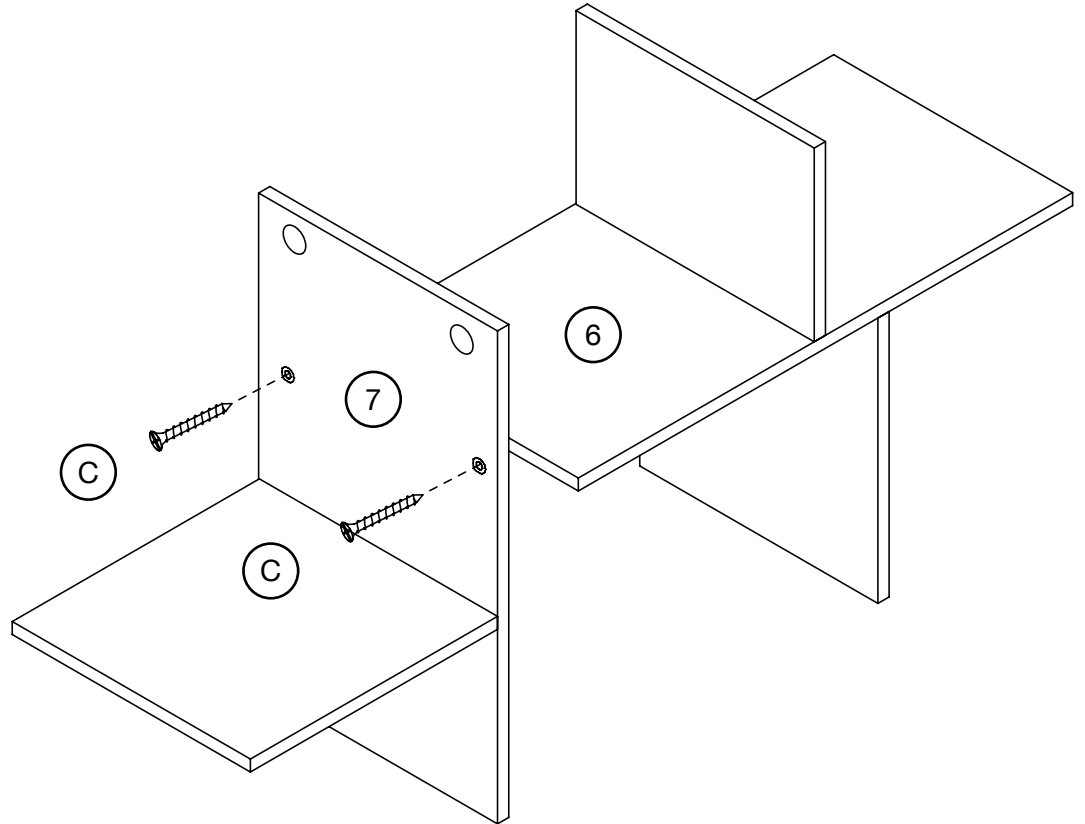
# Step 8

You're half way there! If not pizza, then uber eats? You deserve it.



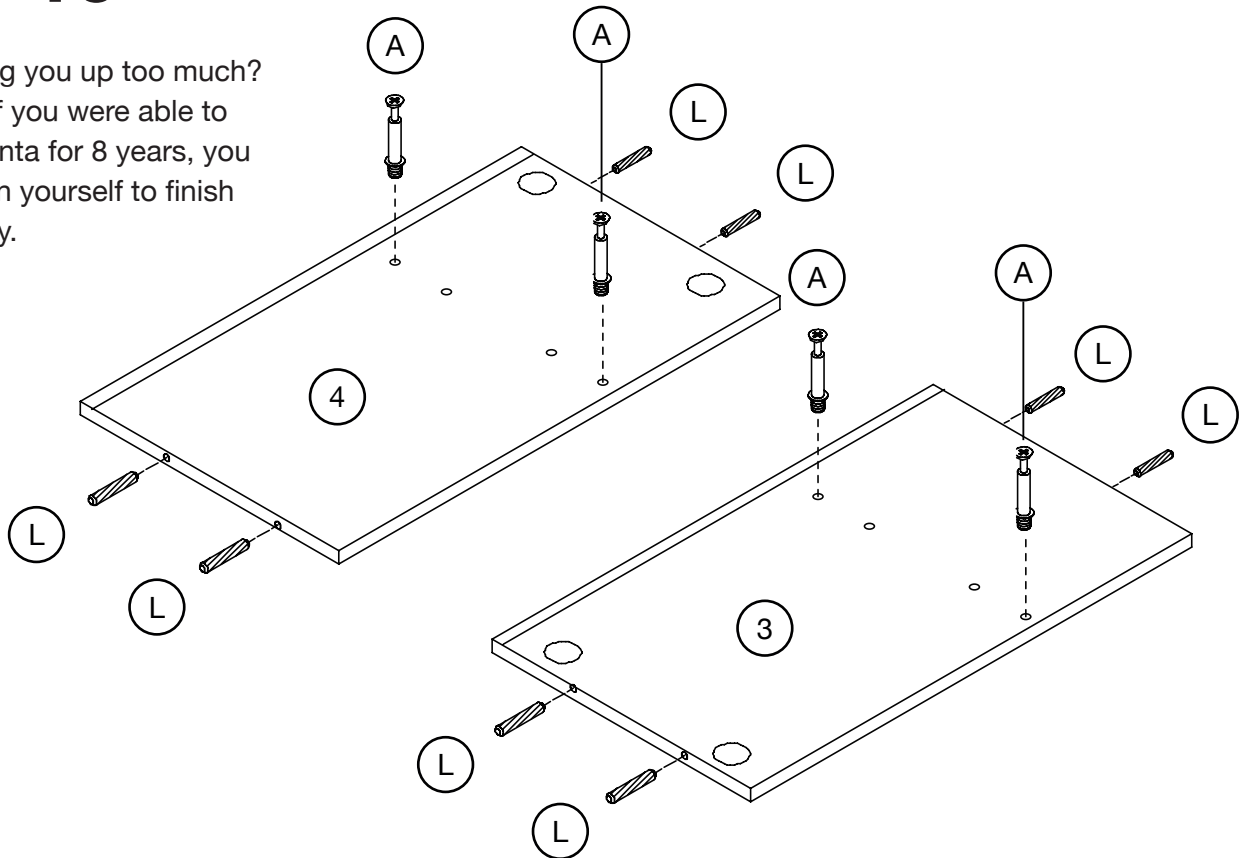
# Step 9

You've got this!  
Connect panel (7) & (6)



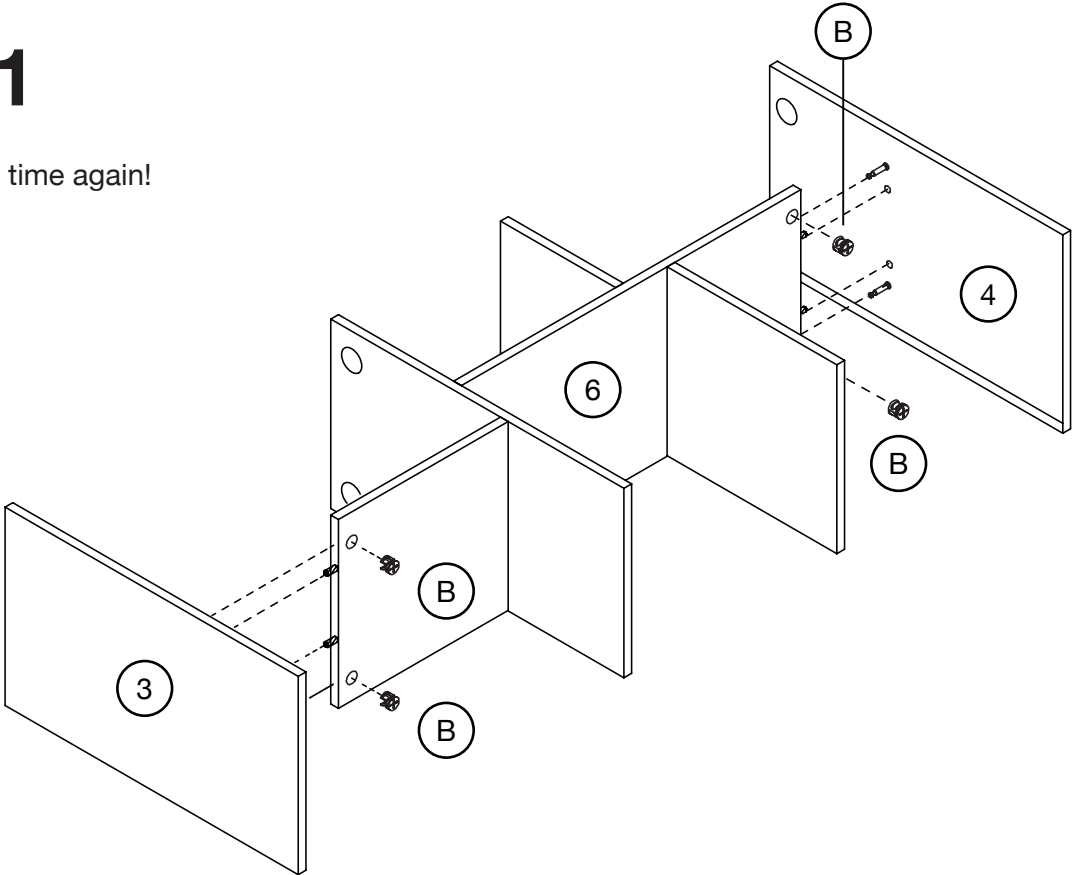
# Step 10

Am I pumping you up too much?  
Reality is... if you were able to  
believe in Santa for 8 years, you  
can believe in yourself to finish  
this assembly.



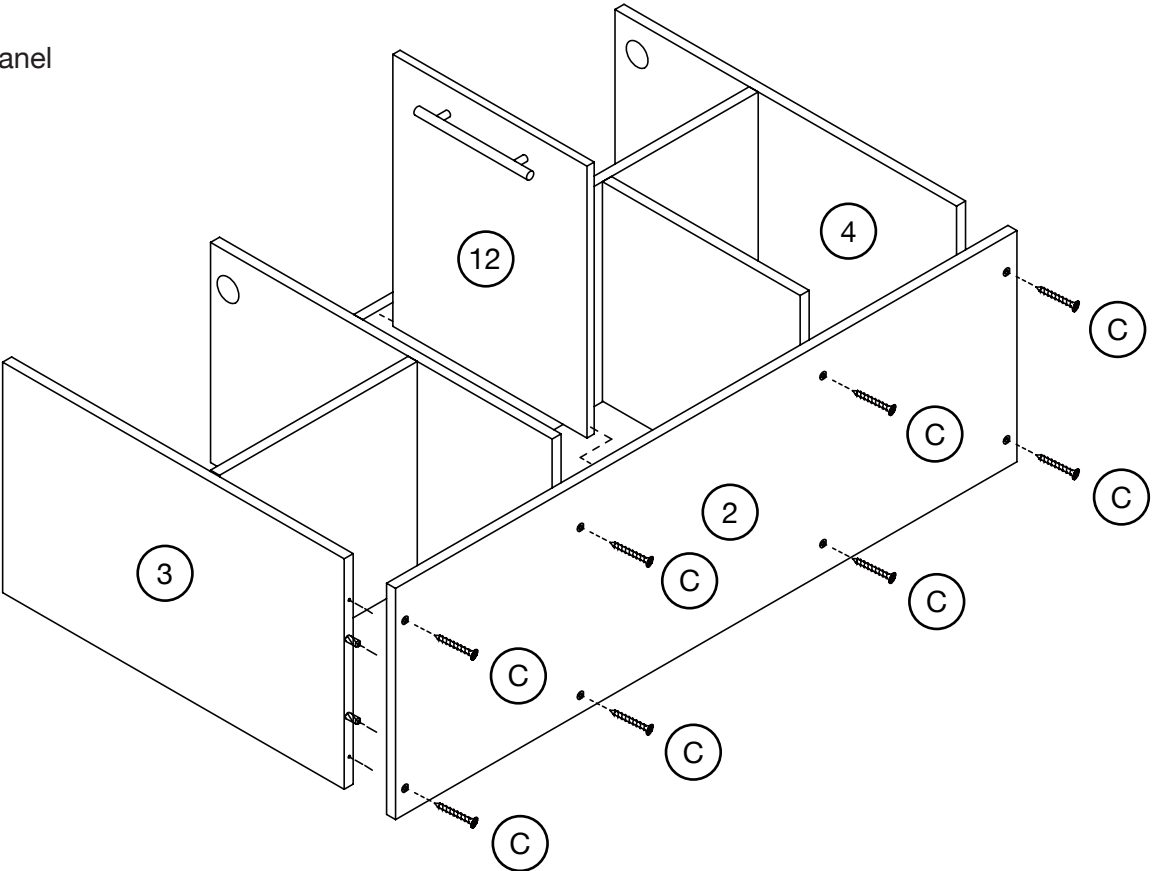
# Step 11

Deja-vu? Cam lock time again!



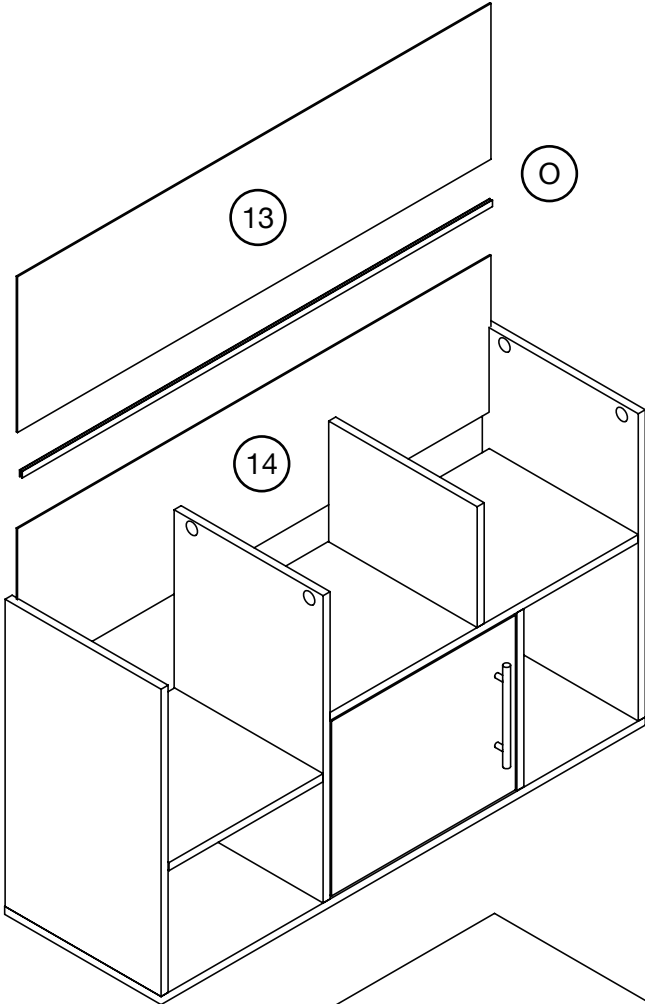
# Step 12

Connect bottom panel



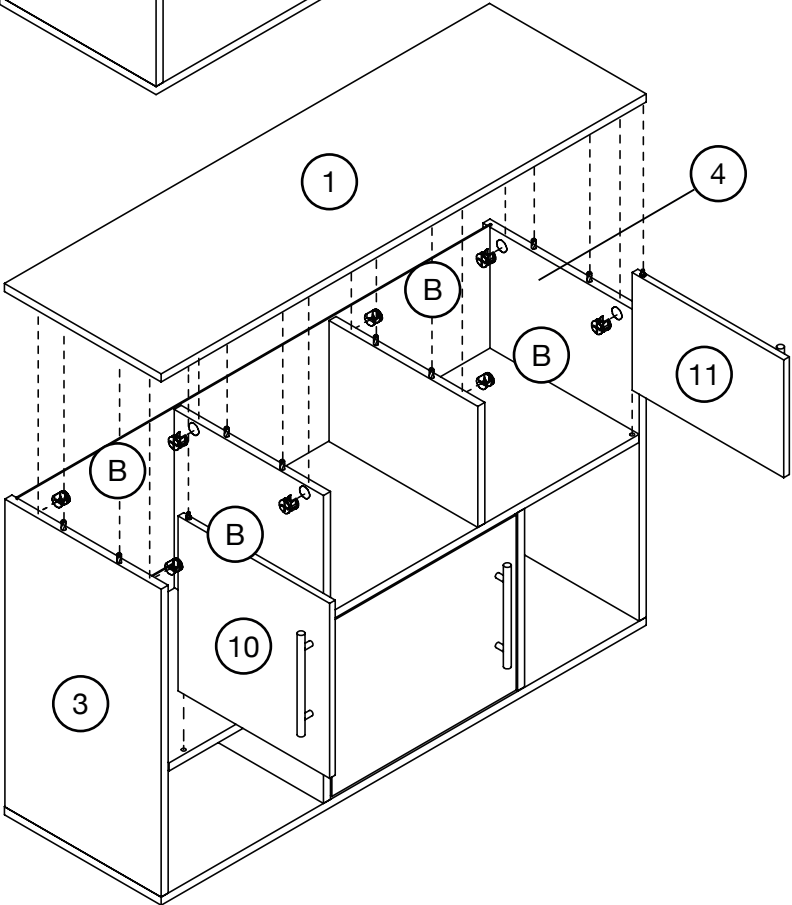
# Step 13

Yup, it's as easy as it looks!  
Slide back panels in.



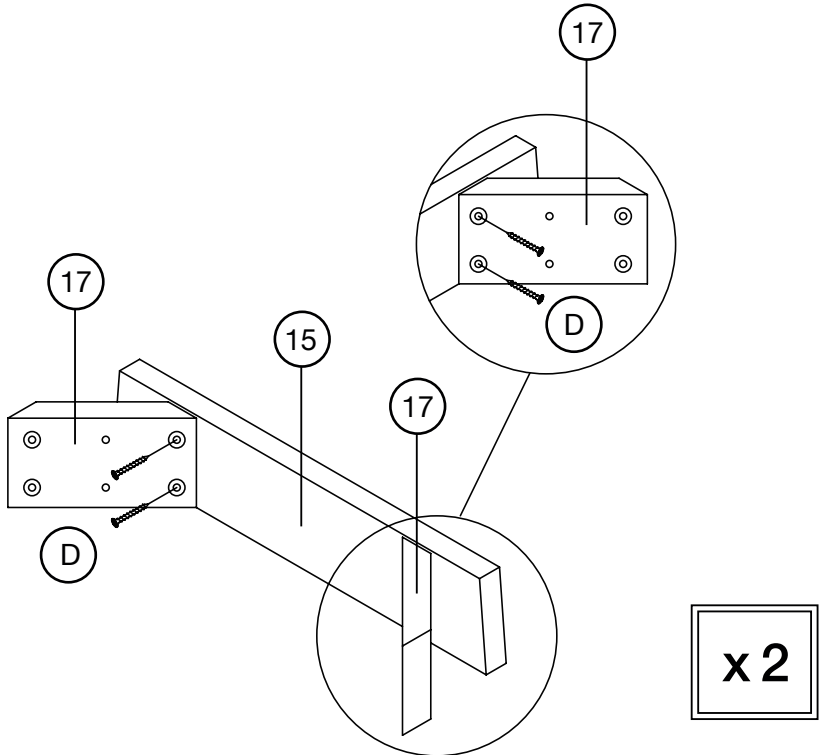
# Step 14

It's all coming together!  
Attach top panel.



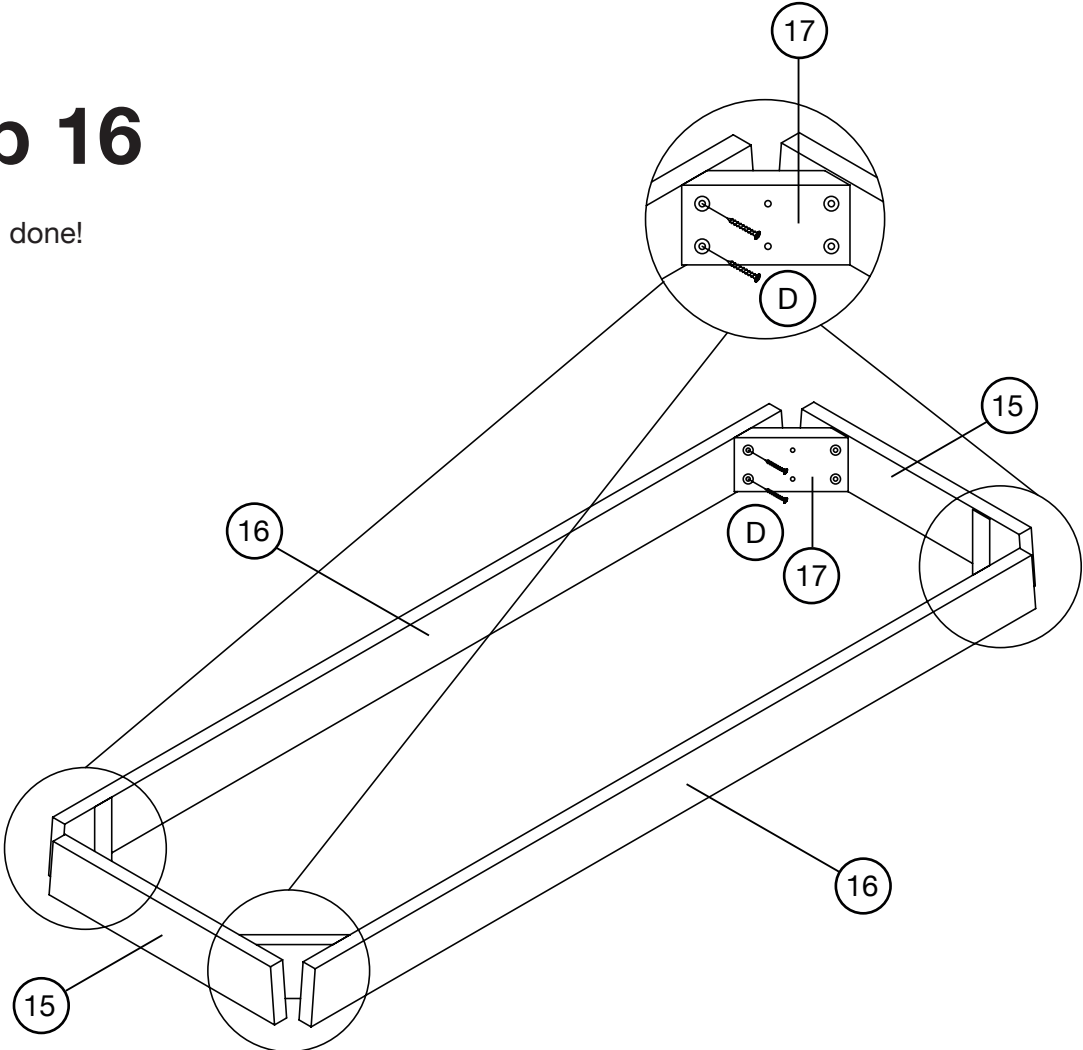
# Step 15

Final touches!



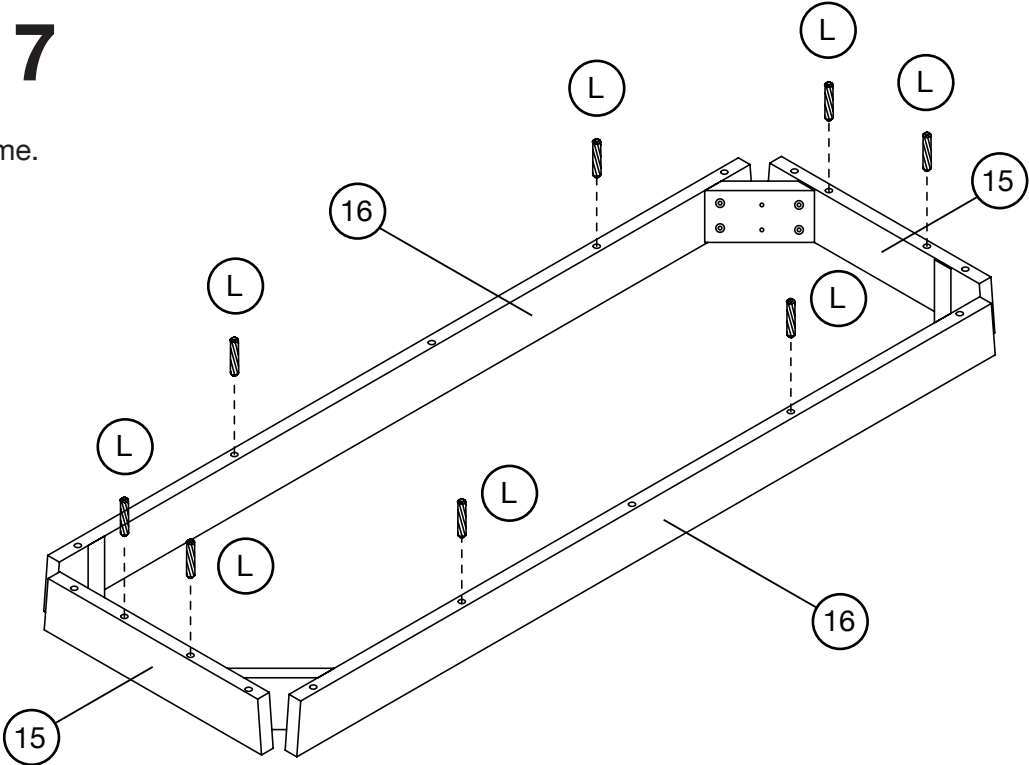
# Step 16

Apron is all done!



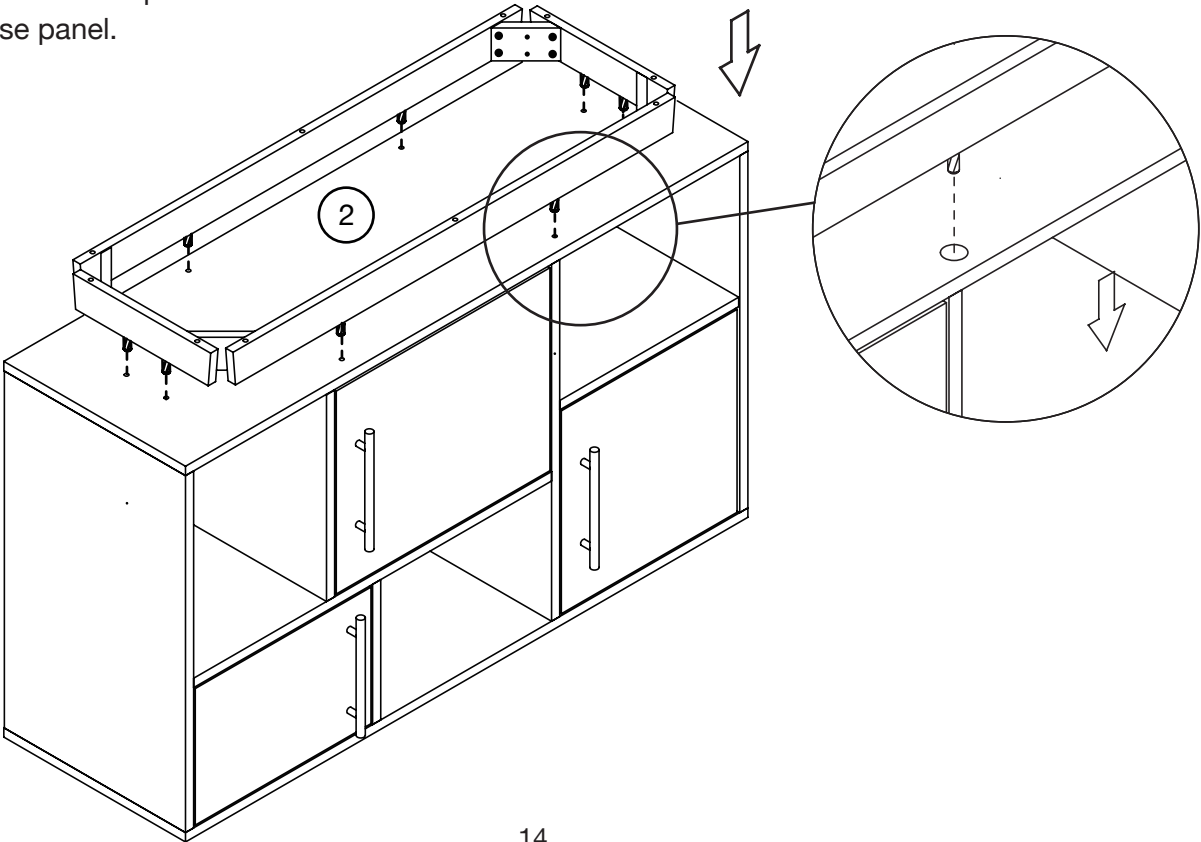
# Step 17

Wooden dowel time.



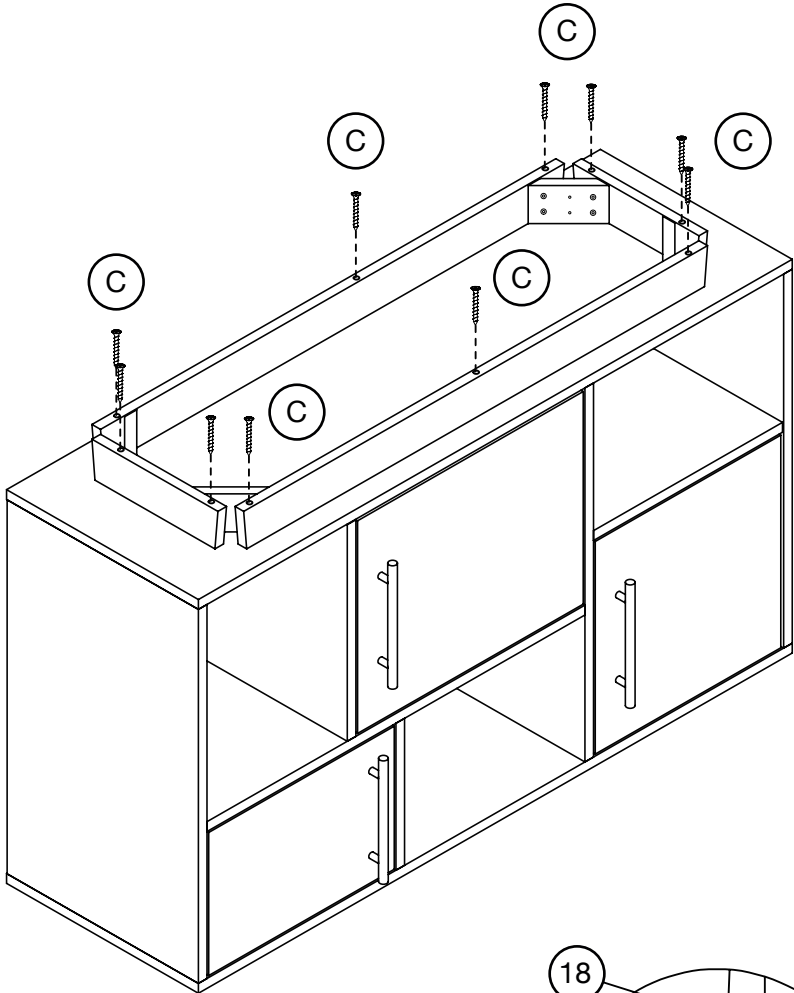
# Step 18

Flip it on over and line up wooden dowels to base panel.



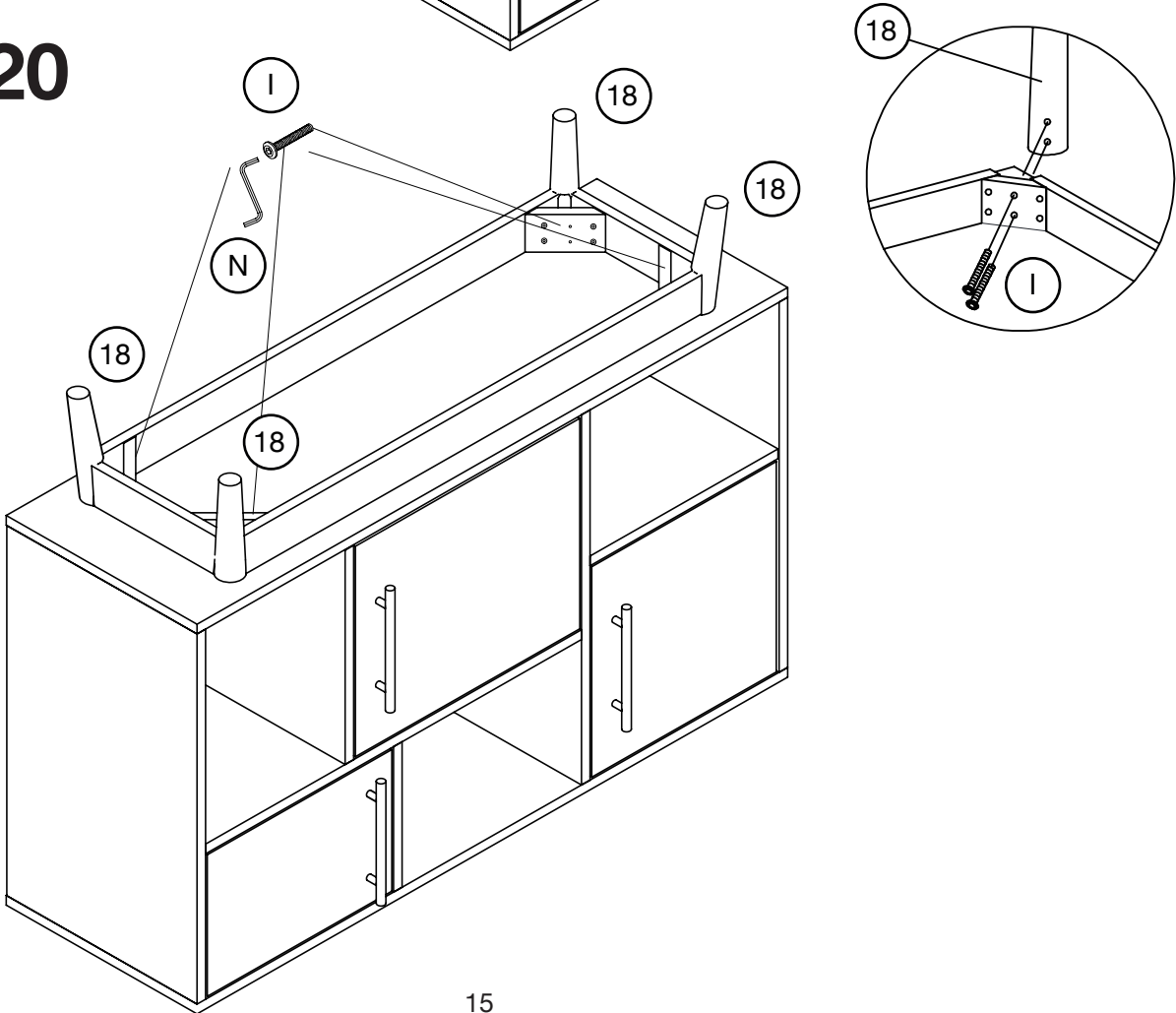
# Step 19

Connect apron



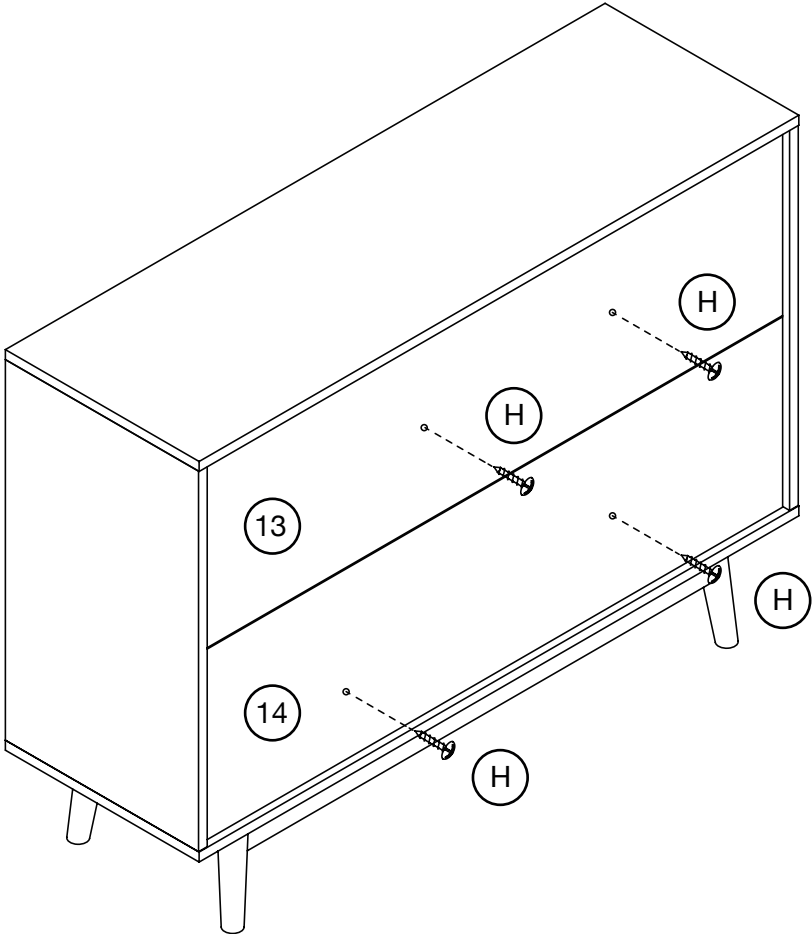
# Step 20

Attach feet



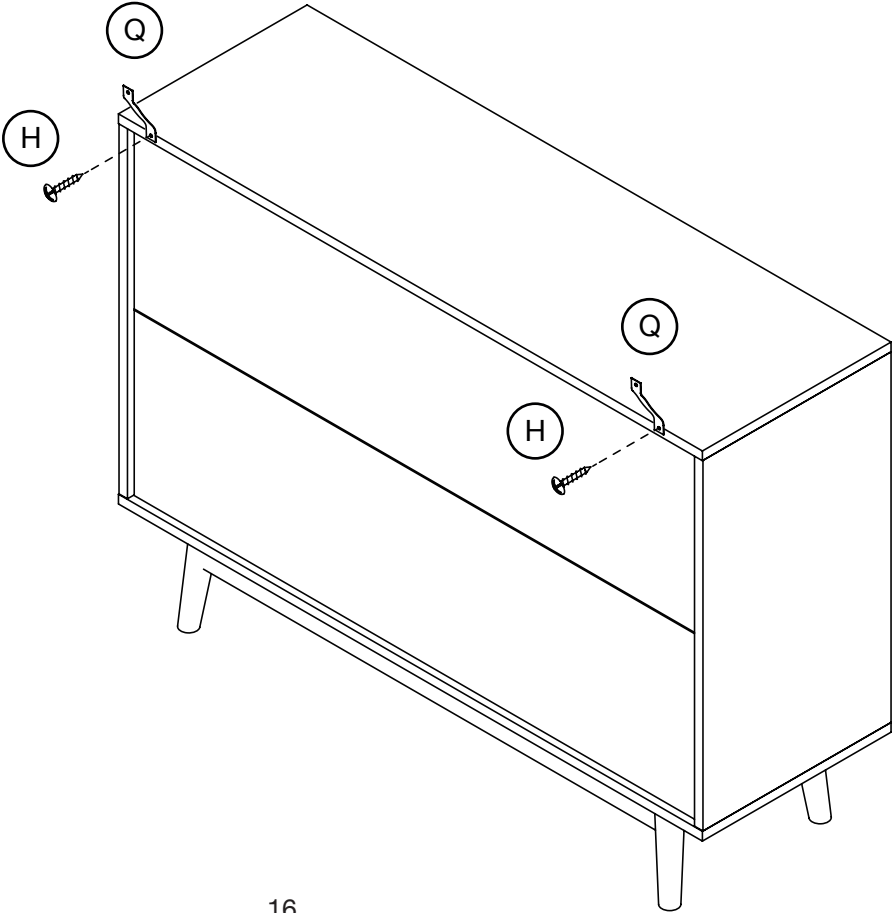
# Step 21

You're almost done!  
Secure the back panels!



# Step 22

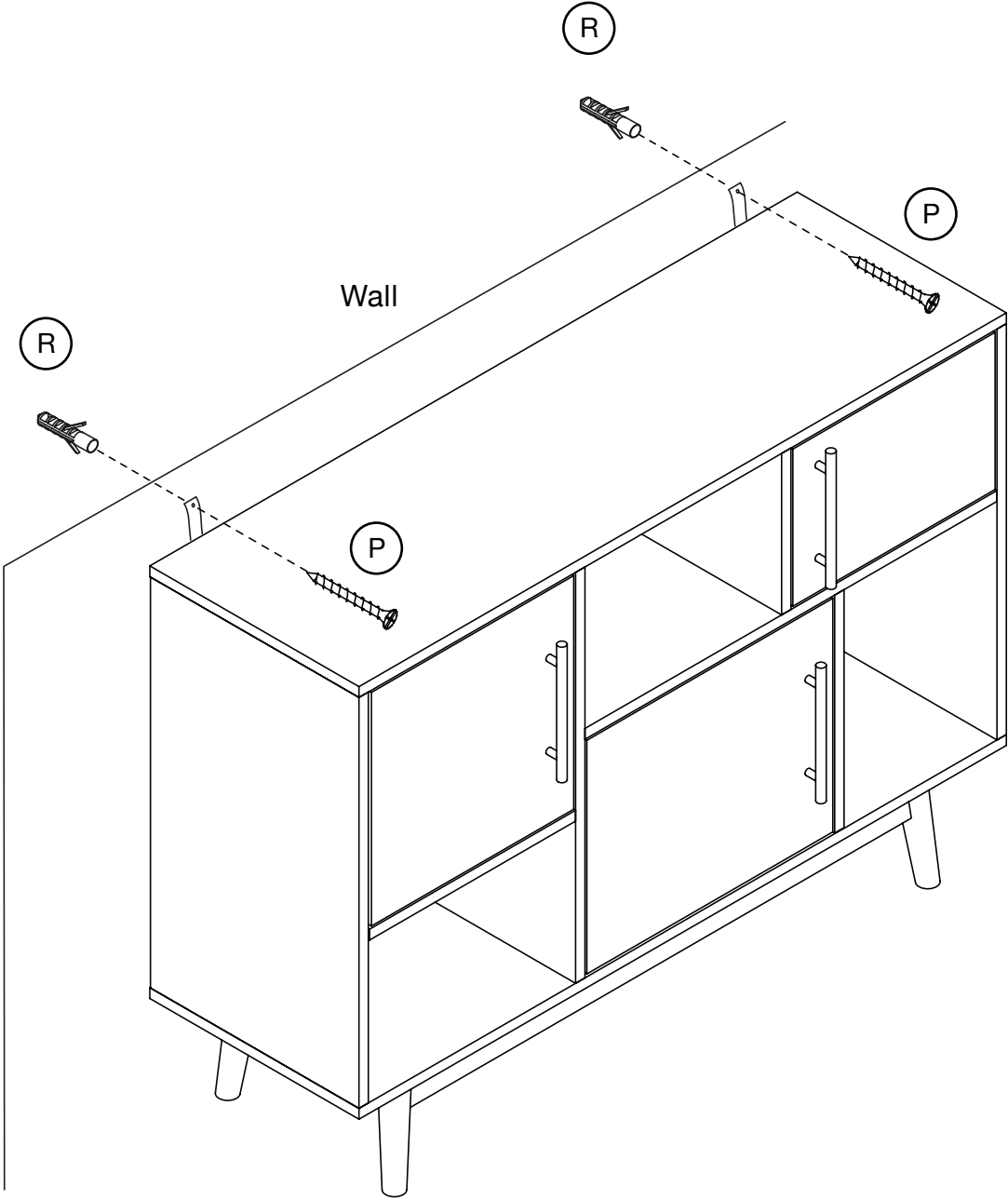
Connect wall straps

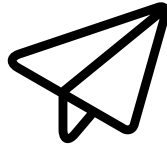




# Step 23

For safety, we suggest you secure your storage unit against wall.





# No heartburn, when we handle the return

---

Give us a call **1-866-619-1004** or shoot us  
a message at **help@nathanjames.com**  
we will issue you a free replacement  
with **zero hassle.**

## Our way

---



Give us a call

---



Replacement

---



You

---

## Their way

---



Re-package item

---



Schedule pick up

---



Track package

---



Replacement

---



You

---

We really don't want you to go through the hassle of re-packaging your item and sending it back, because let's be honest...nobody has time for that.

# Safety first, fun later

---

We want your Ellipse Storage Unit to last as long as possible, so we recommend that you tighten the screws 2 weeks after assembly and for added safety check the tightness of all screws every 2 months.

For proper care and treatment of wood please check our website at [NathanJames.com/products](http://NathanJames.com/products)

## **Safety use of this product starts with you.**

Use this Ellipse Storage Unit responsibly with the primary concern for your safety. Follow assembly instructions carefully and inspect product upon receipt and each use. Nathan James and its parent companies cannot be held legally responsible for any injuries or death resulted from failure to follow instructions or improper use of this product.

## Proper Use

---

- DO NOT** use for commercial purposes
- DO NOT** use as a step stool or stand on storage unit
- DO NOT** put hot serving liquid directly on storage unit top
- DO NOT** leave spilled liquid on the storage unit top
- DO NOT** use storage unit if damaged
- DO NOT** exceed weight limit
- DO NOT** make temporary repairs
- DO NOT** use outdoor

# We are only in business if you're happy

---

For starters,  
thanks for being you.

☎ Toll-free at 1-866-619-1004  
✉ Help@nathanjames.com  
🌐 NathanJames.com/help

We do our best to ensure your furniture arrives without any problems, but occasionally mistakes happen - as humans we are imperfect beings. In the event that a part is damaged or missing, we will be more than happy to provide you with replacement part(s) for free.

## Warranty

This product comes with a lifetime warranty from the date of purchase. Please use your phone to scan the QR code to register your product or visit <https://goo.gl/i9dk3q>



## Did we do alright? Please spread the love!

If you are happy with your product, tell your friends and family about us or even better leave us a review online. Spreading the word gives us the opportunity to make more people happy and keep our prices low for your next purchase.

*Brooklyn Burdon*

- Founder, Nathan James