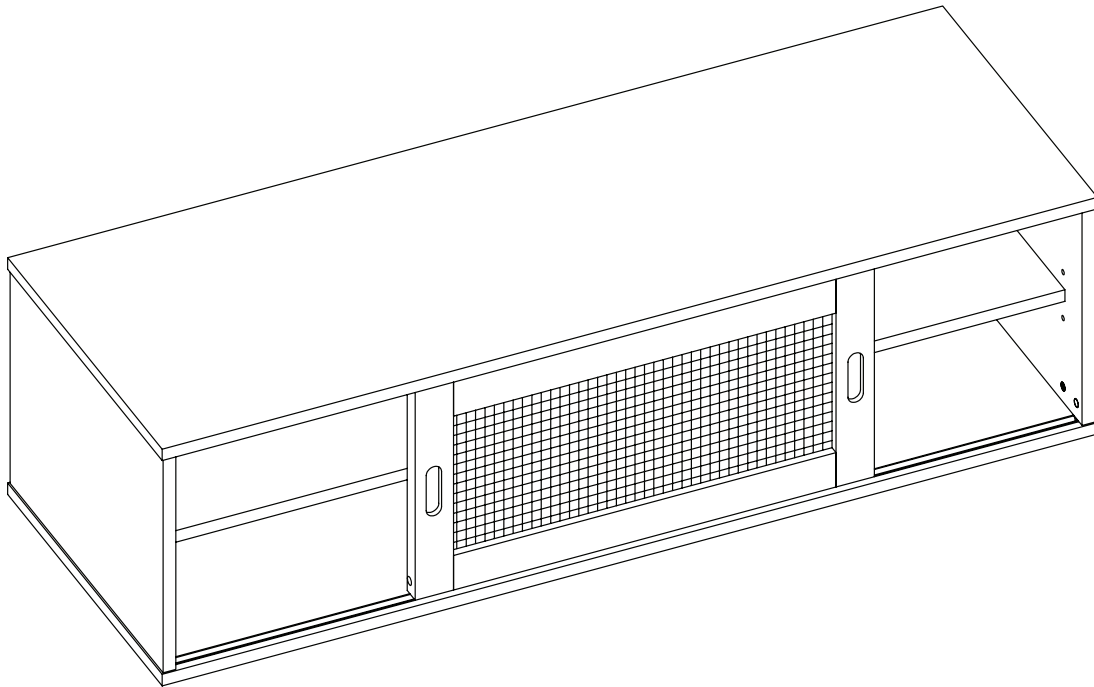


Let's build the

Keanu Media Unit

SKU 75101



Scan me!

Free Lifetime
Warranty

nathan james

23-0208

Ok, let's get rolling

This should be easy, just follow our instructions and you will be back to Netflix in no time.

Estimated time for assembly



45:00

What you need

- Some of your favourite bubbly or your preferred relaxant
- Use the packaging carton as a working surface to prevent product damage during assembly
- Phillips head screwdriver
- 5/16" Drill bit

Weight Limitation



100
lbs

Toll-free at 1-866-619-1004
Help@nathanjames.com
Nathanjames.com/help

What's included

Description	Qty
A Top	1
B Left Side Panel	1
C Right Side Panel	1
D Middle Panel	1
E Left Back Corner	1
F Right Back Corner	1
G Back Panel	1
H Bottom Panel	1
I Door	1
J Shelf	2
K Wall Cleat	1

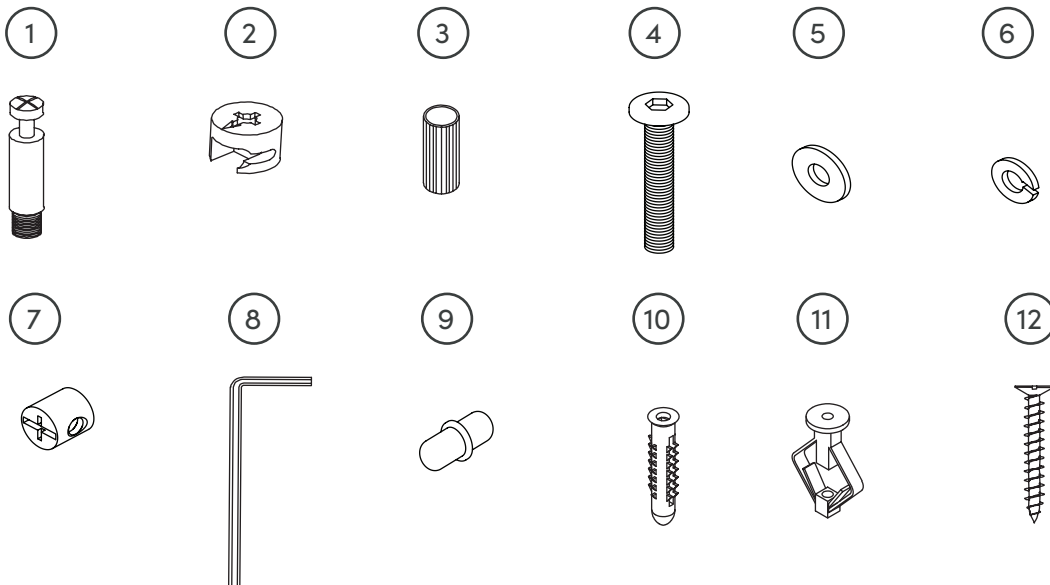
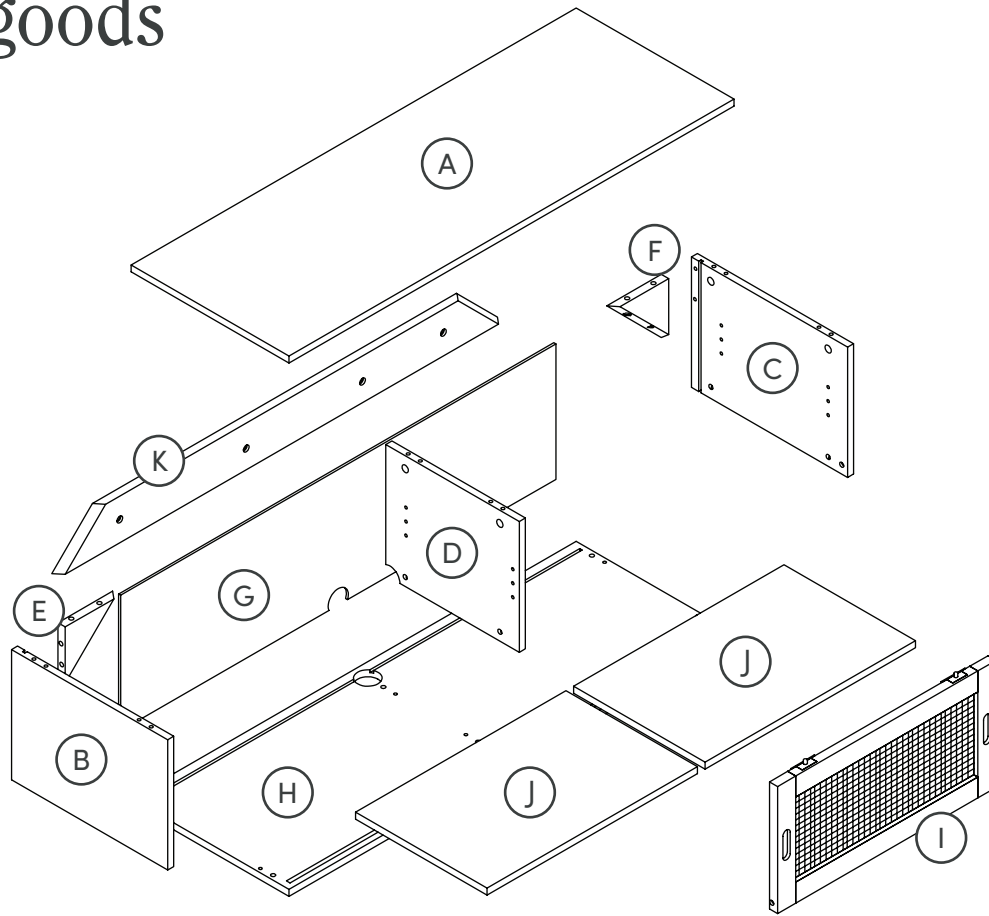
Scan me!
Free Lifetime
Warranty



What's included cont.

	Description	Qty
1	Cam Bolt	6
2	Cam Lock	6
3	6 x 30mm Wooden Dowel	16
4	¼ x 1 ½ inch Hex Button Head Bolt	10
5	¼ inch Flat Washer	10
6	1/4 inch Lock Washer	10
7	T Nuts	6
8	Allen Key	1
9	Shelf Pin	8
10	Non-Drywall Wall Anchor	4
11	Drywall Wall Anchor	4
12	M4x50mm Screw	4

The goods

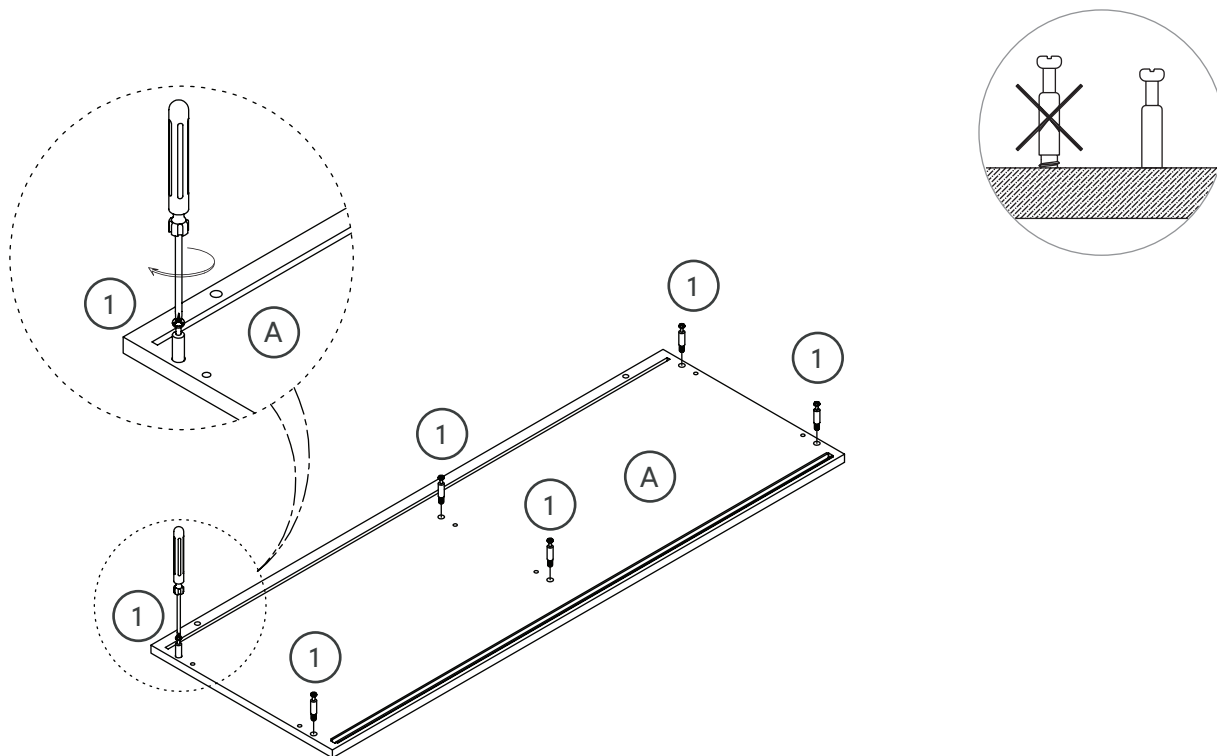


IMPORTANT

1. Do not tighten bolts / screws completely until all bolts / screws are lined up and inserted into holes.
2. Do not over tighten screws and bolts to avoid stripping.
3. Please use hand tools to assemble this product. Do not use power tools.

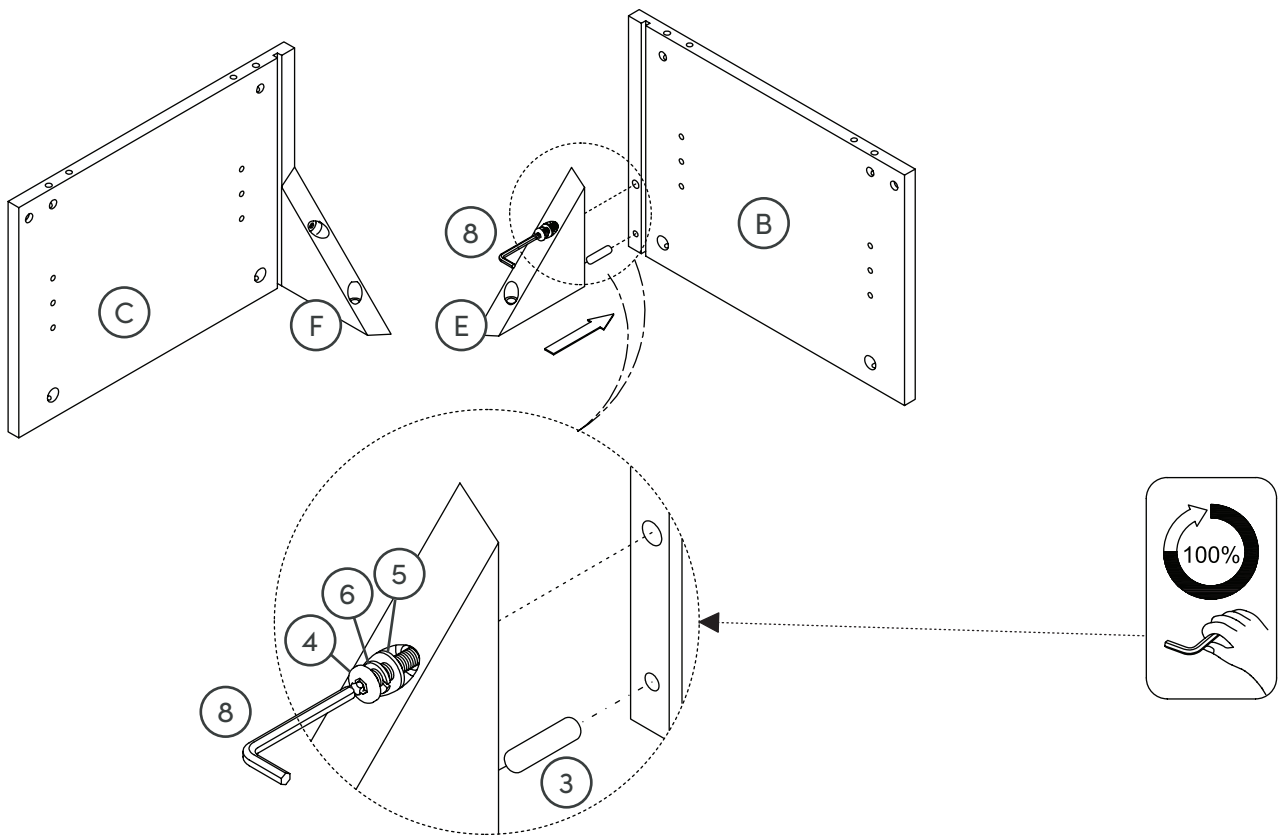
Step 1

Let's get this thing fired up! Secure the Cam Bolts (1) into the Top Panel (A).



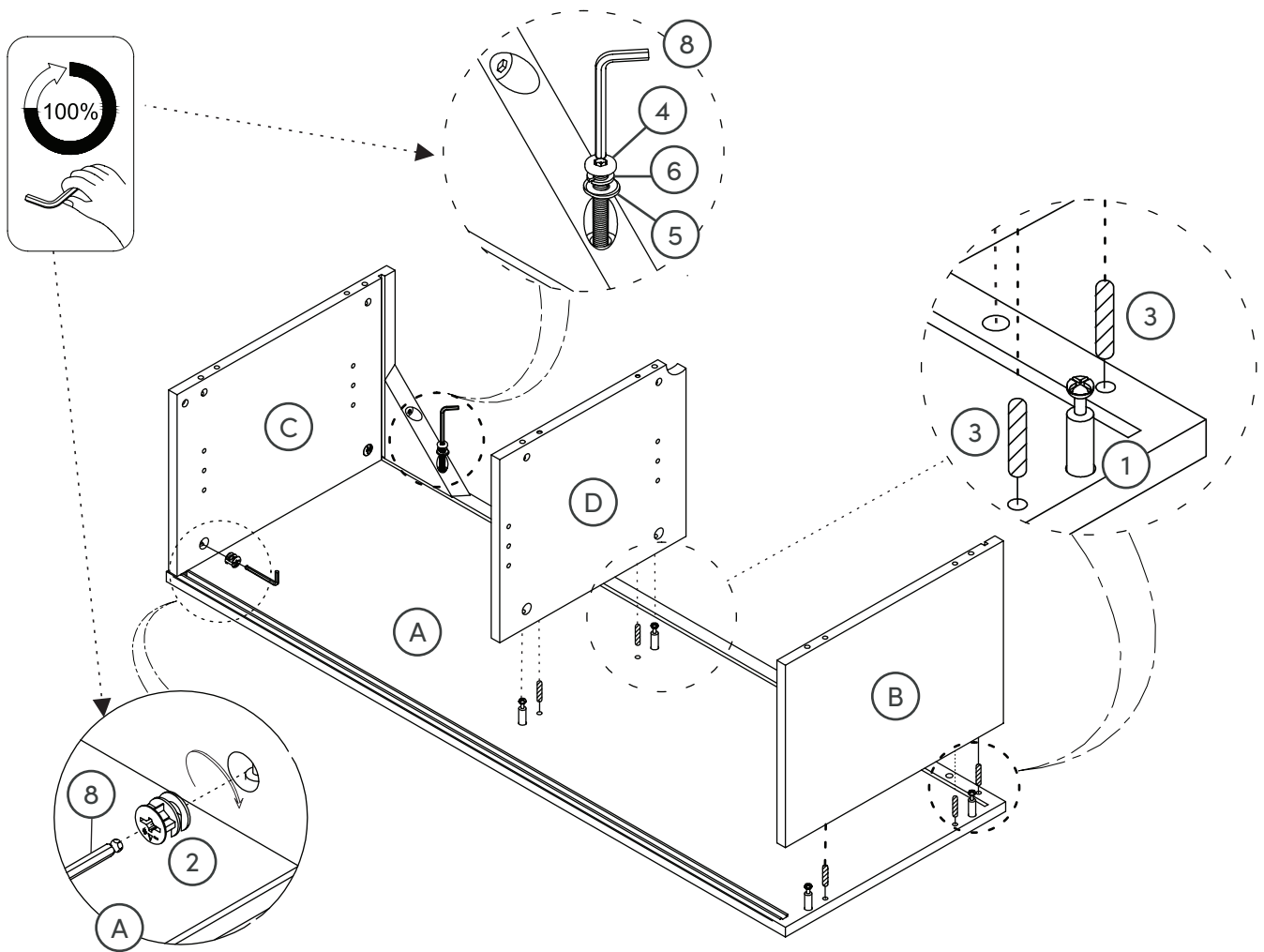
Step 2

Next, attach the Right Back Corner (E) to the Right Side Panel (B). Attach the Left Back Corner (F) to the Left Side Panel (C). Align the holes with the Wooden Dowels (3) and ¼ x 38mm Bolts (4). Insert the Flat Washers (5) and Lock Washers (6) to the Bolts (4) before assembling. Tighten to 100% using the Allen Key (8).



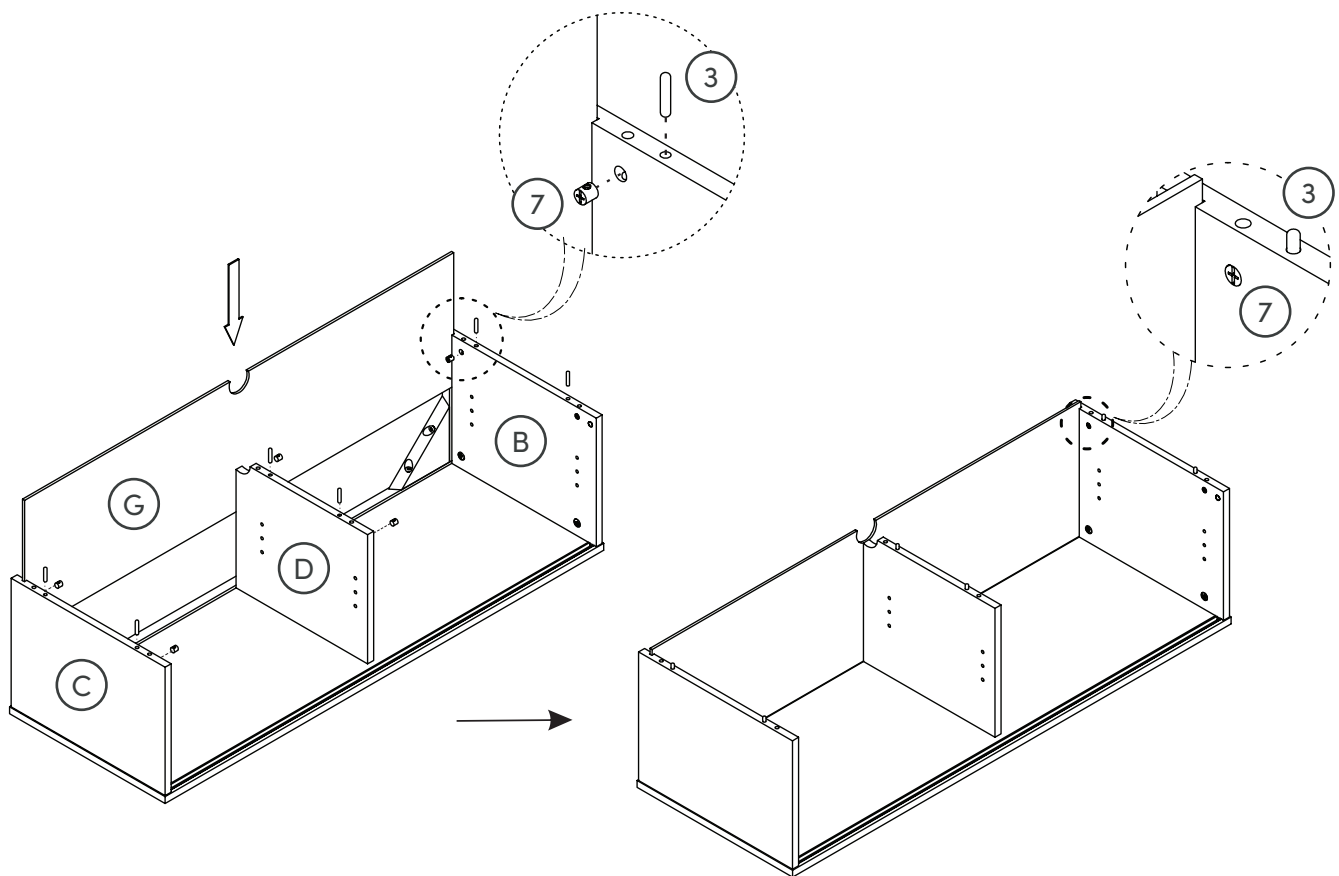
Step 3

Next, attach the Left Side Panel (B), Right Side Panel (C) and Middle Panel (D) to the Top (A). Align the holes with the Wooden Dowels (3) and the Cam Bolts (1) you inserted in Step 1, then secure with the Cam Locks (2) and the Bolts (4). Insert the Flat Washers (5) and Lock Washers (6) to the Bolts (4) before assembling. Tighten to 100% using the Allen Key (8).



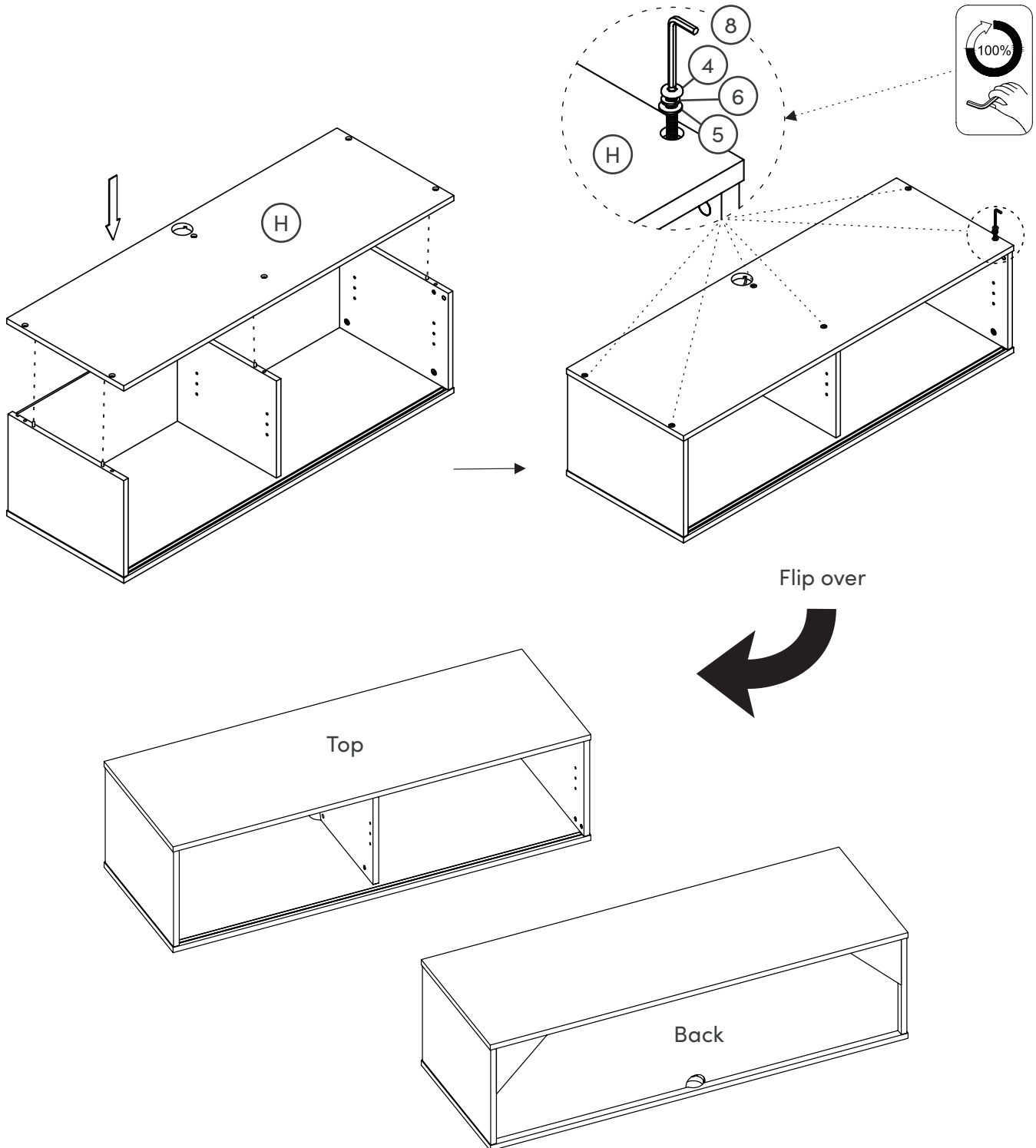
Step 4

Now slide the Back Panel (G) into the slits of the Right Side Panel (C), Left Side Panel (B) and Top (A). Then insert the Wooden Dowels (3) and T Nuts (7) to secure.



Step 5

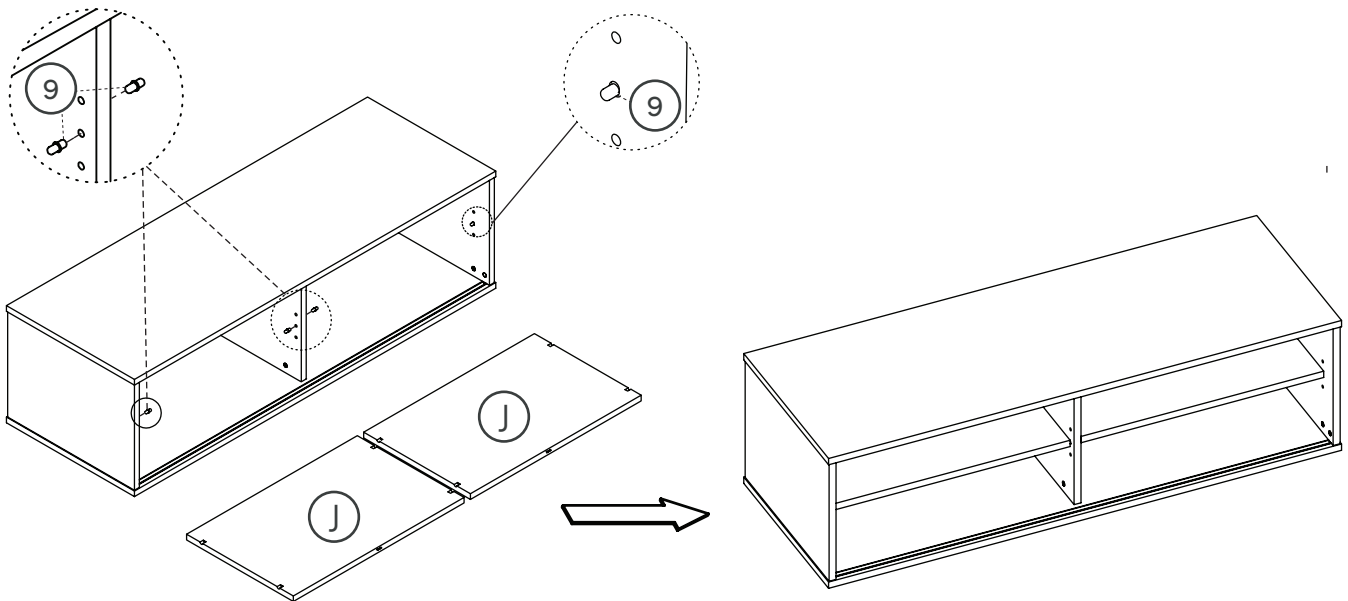
Attach the Bottom Panel (H) to the rest of the unit. Align the holes with the Wooden Dowels (3). Using the 1/4 x 38mm Bolts (4) with the Flat Washers (5) and Lock Washers (6), secure the panel in place and tighten to 100% using the Allen Key (8). Once tightened, carefully flip the unit over so it's upright.



Step 6

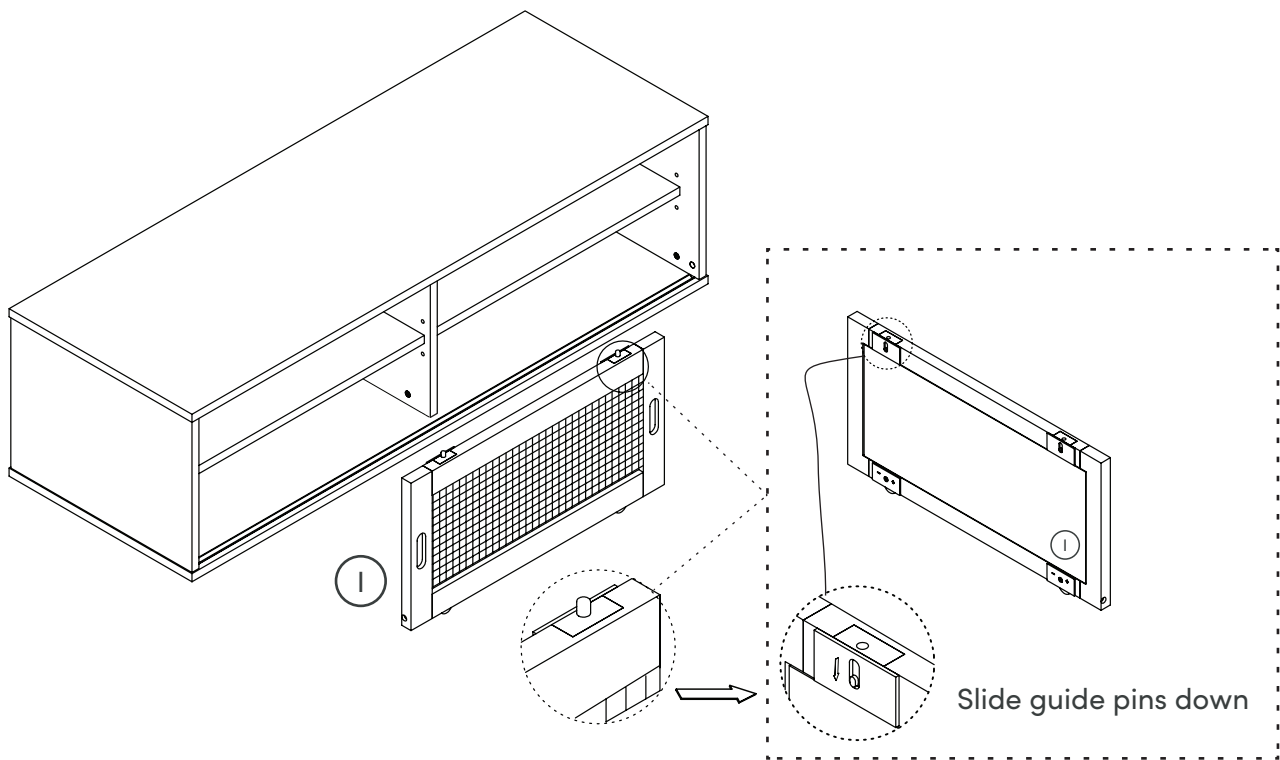
You're over halfway done! Now would be a good time to call in that pizza order.

Now let's get those shelves in. Insert the Shelf Pins (9) into the Left Side Panel (B), Right Side Panel (C) and Middle Panel (D). Then slide the Shelves (J) into place.



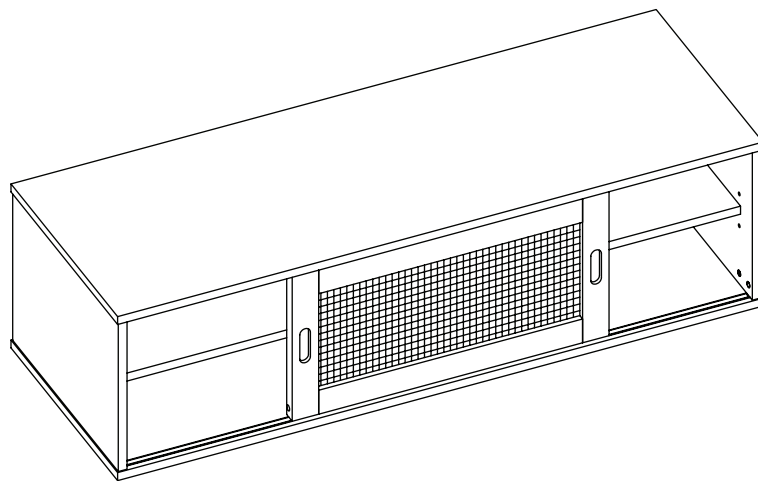
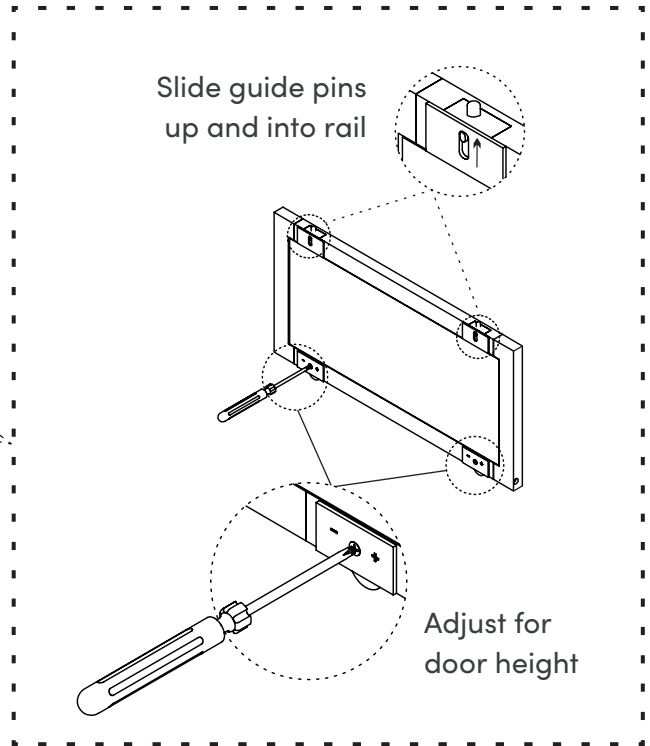
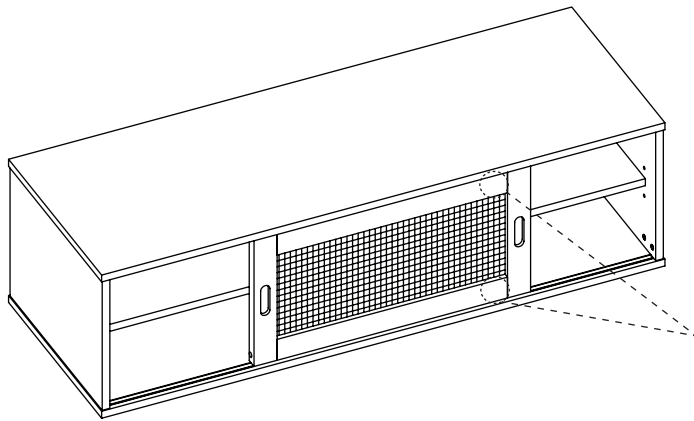
Step 7

Okay, time to attach the Door (K) to the rail. Before assembling, press down the guide pins at the top of the Door. Then, align the wheels at the bottom of the Door into the V-rail before aligning the guides at the top of the door with the U-rail at the top of the cabinet. Once the door is aligned to both rails, press the guide button to lock in place.



Step 8

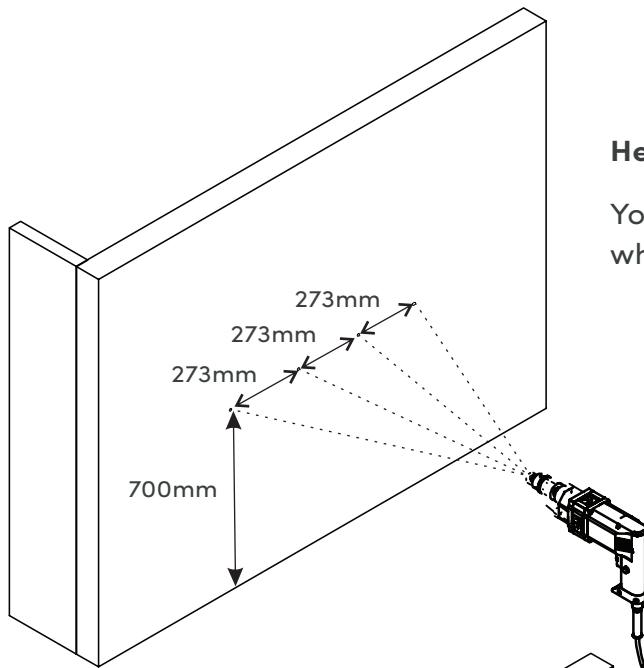
After attaching the Door, adjust the height of the casters to ensure the door slides smoothly.



Step 9: Wall Mounting

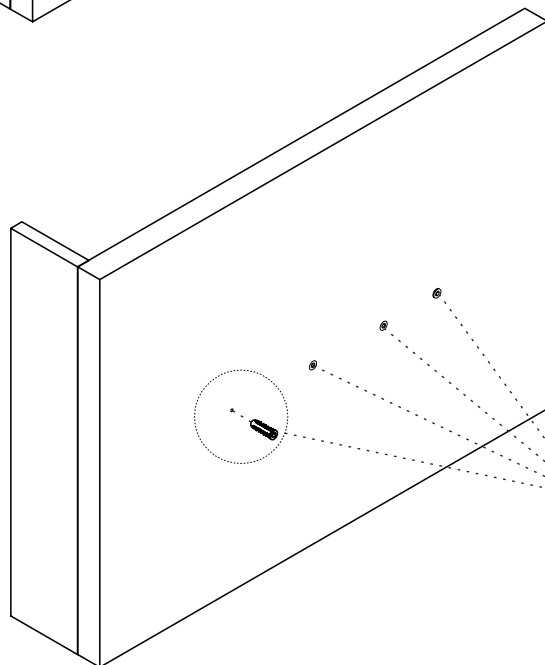
Choose your desired media unit location on your wall. Using the wall anchor spacing dimensions graphic below, begin to line up and mark where you will need to drill holes for the Wall Anchors (10) or (11). You can also use the Wall Cleat (K) as a guide for marking the hole locations.

Using a $\frac{5}{16}$ " drill bit, drill holes on the marks you made on your wall, then push the Wall Anchors (1) or (11), for the proper wall type, into the holes.



Helpful Tip:

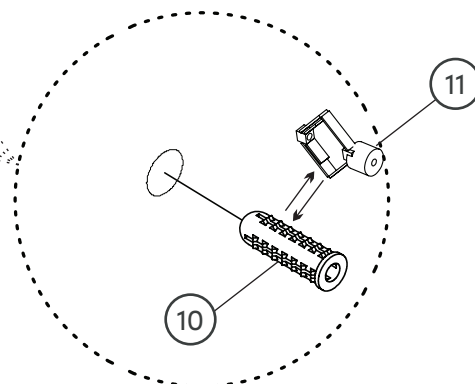
You can use part K (Wall Cleat) as a guide when marking the locations to drill.



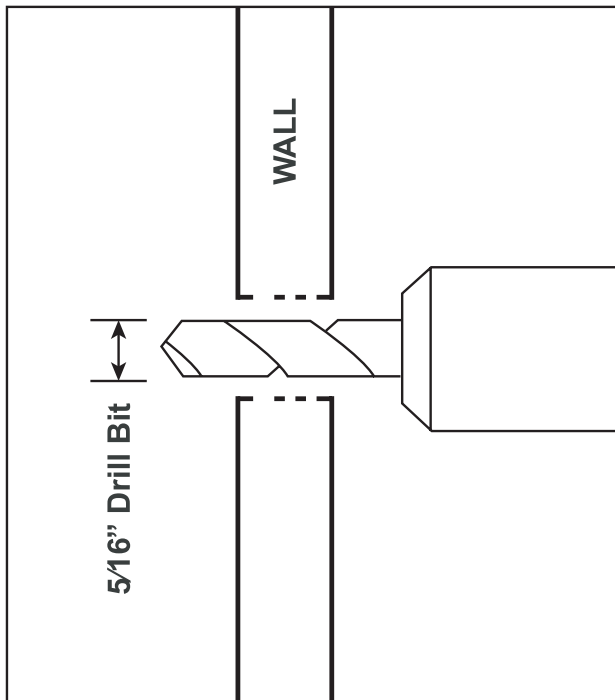
Reminder:

Part 10 is for non-drywall applications.

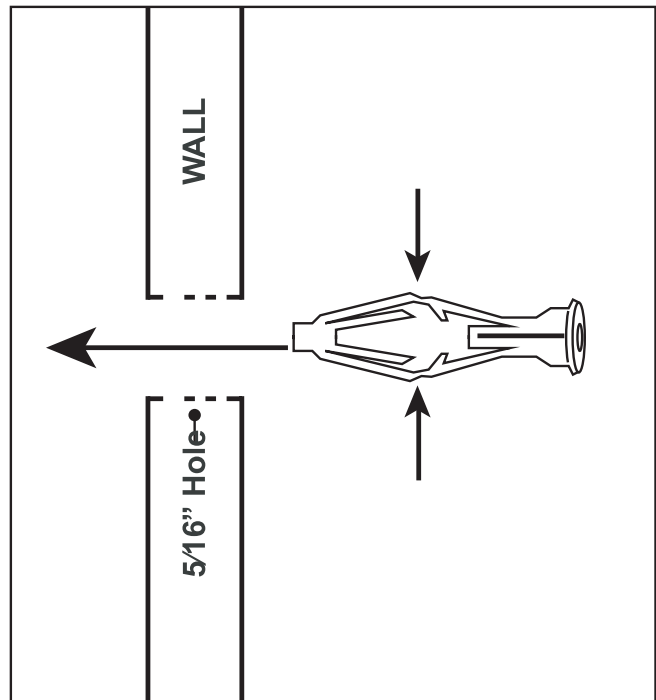
Part 11 is for drywall applications.



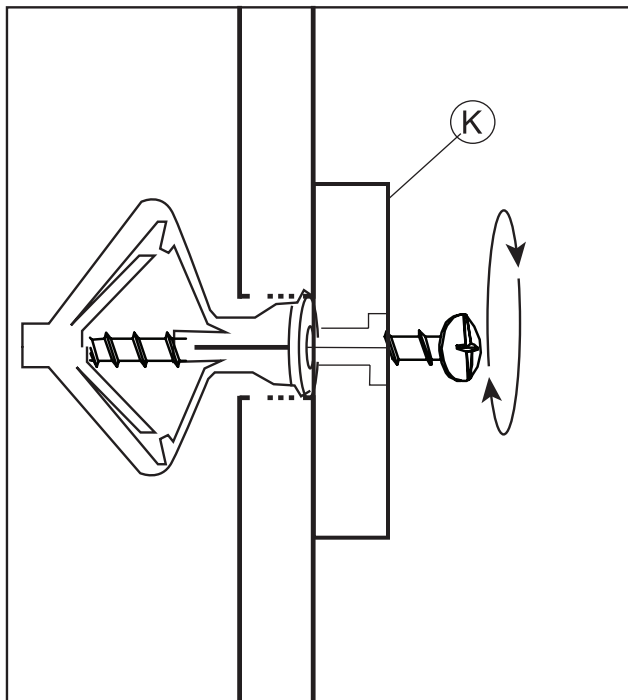
How to use drywall anchors



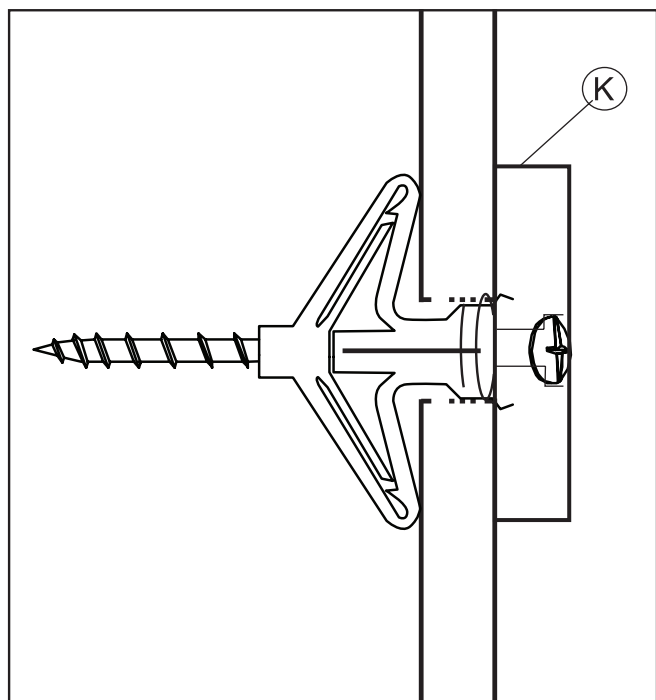
1. Drill hole with 5/16" drill bit.



2. Pinch and insert.



3. Align the Wall Cleat (K) holes over the Wall Anchors (10) or (11). Then tighten the screws into place until secure.

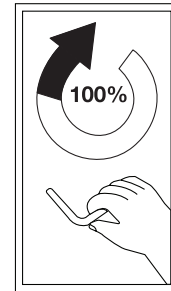
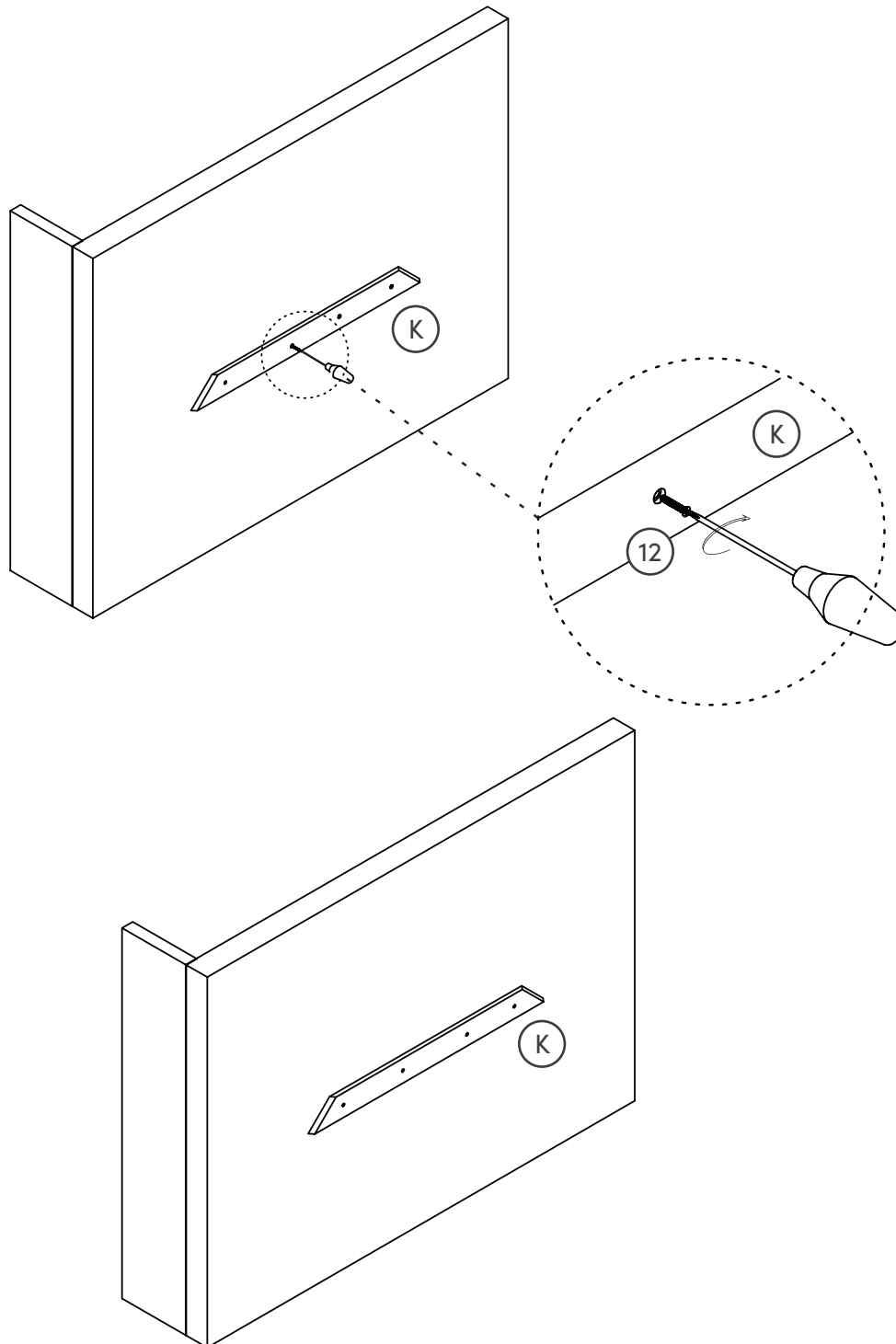


4. Anchor is secure when screw is tightened to 100%.

Step 10

Almost done! That pizza should be here any minute...

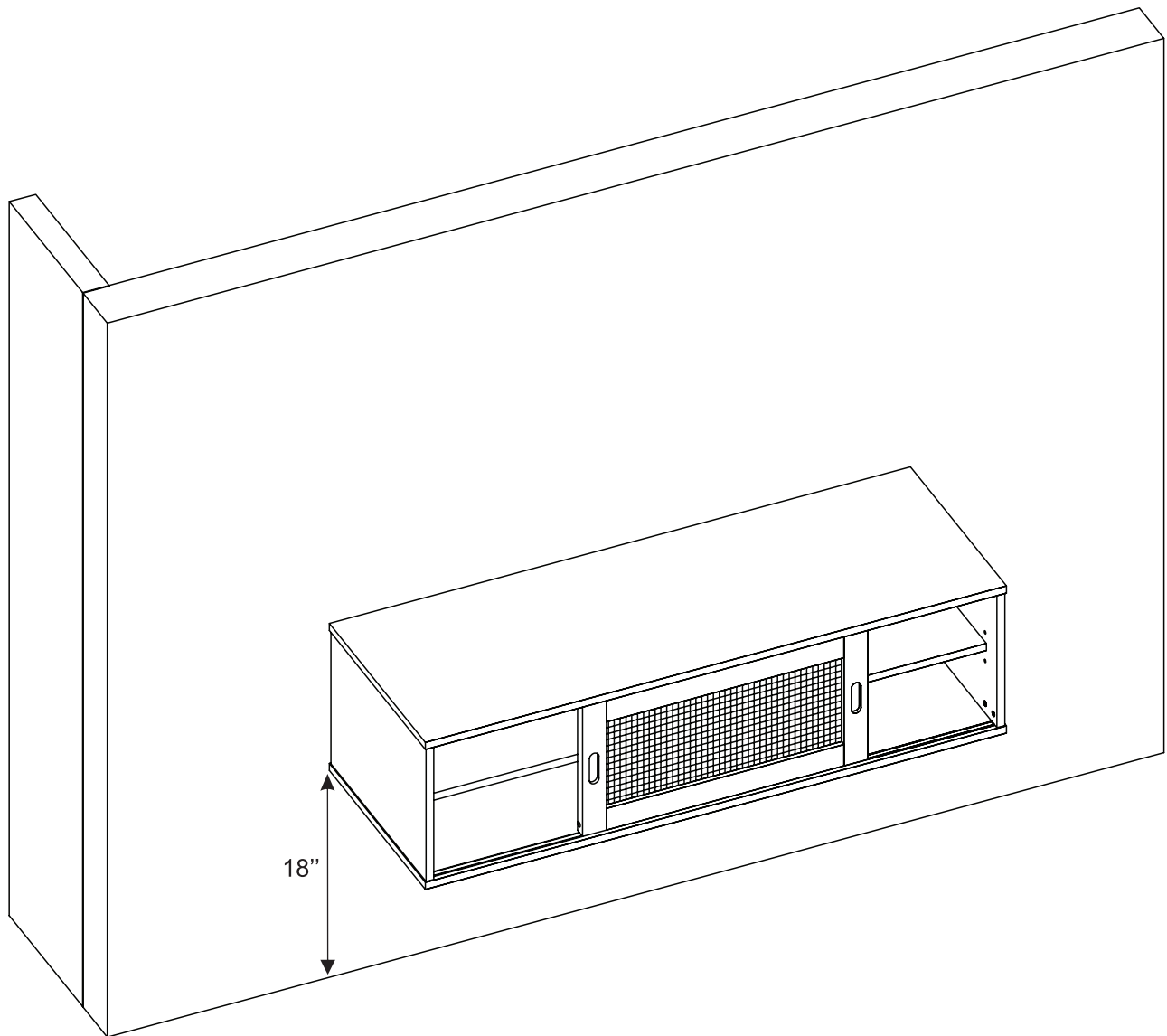
Attach the Wall Cleat (K) to the wall, making sure the holes in the Cleat align with the Wall Anchors (10) or (11). Use the M4 x 50mm Screws (12) to attach the Cleat to the wall, leaving a small gap between the wall and the back of the screw for the unit to hang on.



Step 11

Finally, guide the unit onto the Wall Cleat (K) to secure to the wall.

Time to enjoy your new media unit, and that pizza!



No heartburn, when we handle the return

Give us a call **1-866-619-1004** or shoot us a message at **help@nathanjames.com** we will issue you a free replacement with **zero hassle**.

Our way



Give us a call



Replacement



You

Their way



Re-package item



Schedule pick up



Track package



Replacement



You

We really don't want you to go through the hassle of re-packaging your item and sending it back, because let's be honest...nobody has time for that.

Safety first, fun later

We want your product to last as long as possible, so we recommend that you tighten the screws 2 weeks after assembly and for added safety check the tightness of all screws every 2 months.

For proper care and treatment, please check our website at NathanJames.com/products

Safe use of this product starts with you.

Use this product responsibly with the primary concern for your safety. Follow assembly instructions carefully and inspect product upon receipt and each use.

Nathan James and its parent companies cannot be held legally responsible for any injuries or death resulted from failure to follow instructions or improper use of this product.

Do not modify the structure of this product in any way.

Our products have been tested to meet specific safety measures as they were originally intended to be sold. Any modifications will present the risk of creating significant safety issues which NJ will not be responsible for.

Proper use

- DO NOT** use for commercial purposes
- DO NOT** frolic on media unit
- DO NOT** use media unit as foot stool
- DO NOT** leave spilled liquid on media unit
- DO NOT** use media unit if damaged
- DO NOT** make temporary repairs
- DO NOT** use outdoors

We are only in business if you're happy

For starters, thanks for being you.

☎ Toll-free at 1-866-619-1004

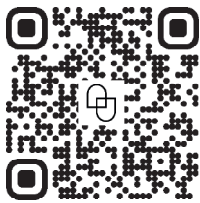
✉ Help@nathanjames.com

🌐 NathanJames.com/help

We do our best to ensure your furniture arrives without any problems, but occasionally mistakes happen—as humans we are imperfect beings. In the event that a part is damaged or missing, we will be more than happy to provide you with replacement part(s) for free.

Warranty

This product comes with a lifetime warranty from the date of purchase. Please use your phone to scan the QR code to register your product or visit <https://goo.gl/i9dk3q>



Did we do alright? Please spread the love!

If you are happy with your product, tell your friends and family about us or even better leave us a review online. Spreading the word gives us the opportunity to make more people happy and keep our prices low for your next purchase.

Brooklyn Burdon

Founder, Nathan James