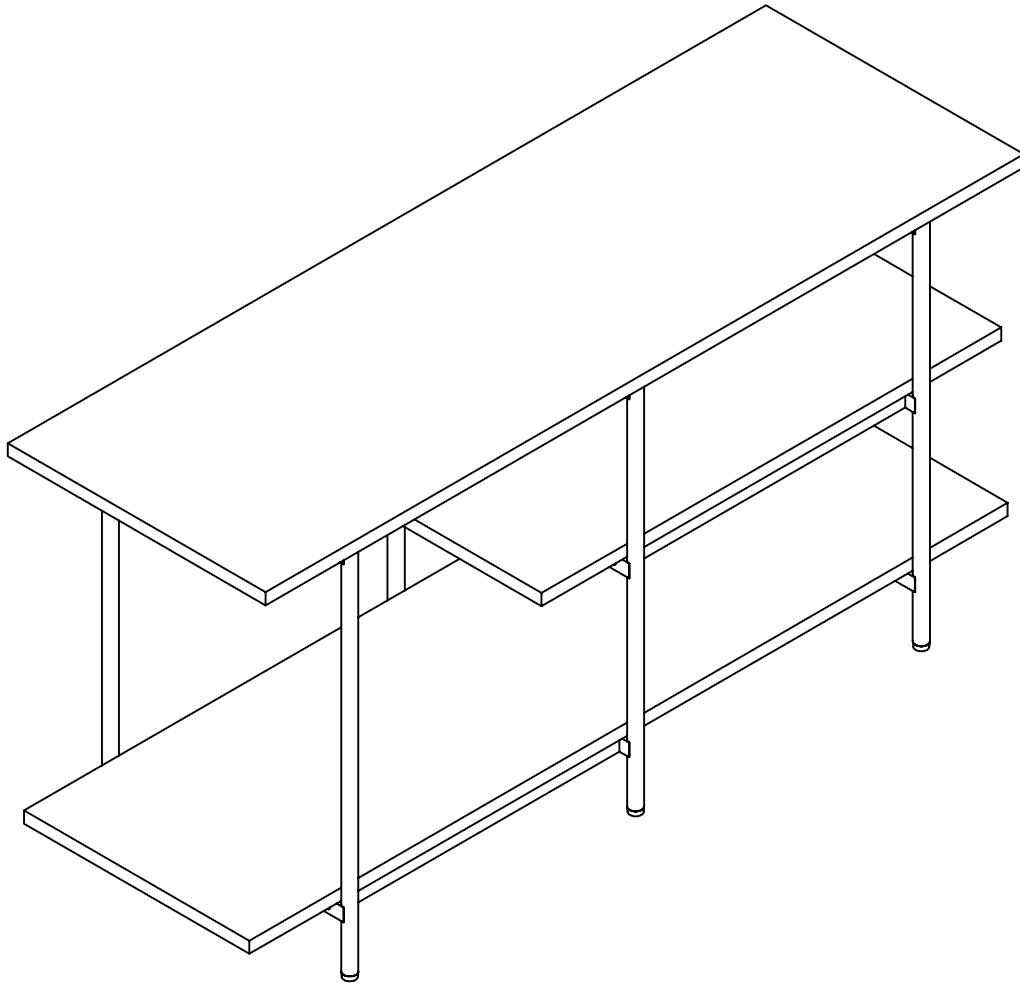


NATHAN JAMES



Product name

Adler
Media Unit

20-0408

Contact

Toll-free at 1-866-619-1004
Help@nathanjames.com
Nathanjames.com/help

Ok, let's get rolling

This should be easy, just follow our simple instructions and you will be back to Netflix in no time.

Estimated time for assembly



30:00

What you need

- Some of your favourite bubbly or your preferred relaxant
- Use the packaging carton as a working surface to prevent product damage during assembly
- Phillips-Head screw driver

Weight Limitation



99

lbs for top panel

33

lbs per shelf

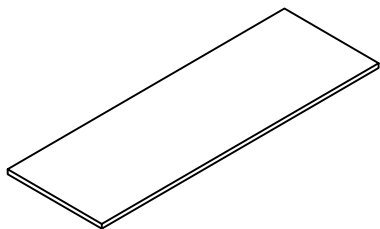
What's included

Code	Description	Qty
A	Top Panel	1
B	Short Shelf	1
C	Long Shelf	1
D	Left Frame	1
E	Middle Frame	1
F	Right Frame	1
G	Stretcher	6
1	M6*30 MM Bolt	28
2	Leveler	6
3	Allen Key	1

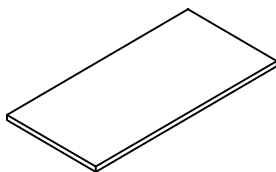
Toll-free at 1-866-619-1004
Help@nathanjames.com
Nathanjames.com/help

The goods

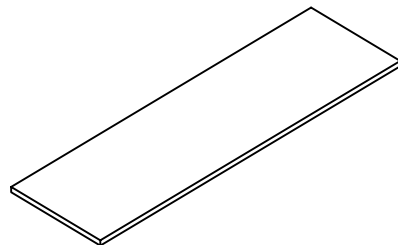
A



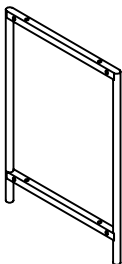
B



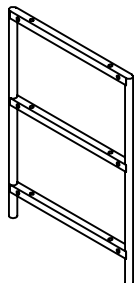
C



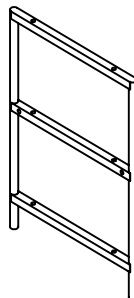
D



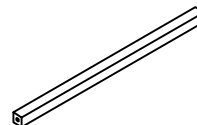
E



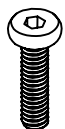
F



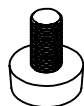
G



1



2



3



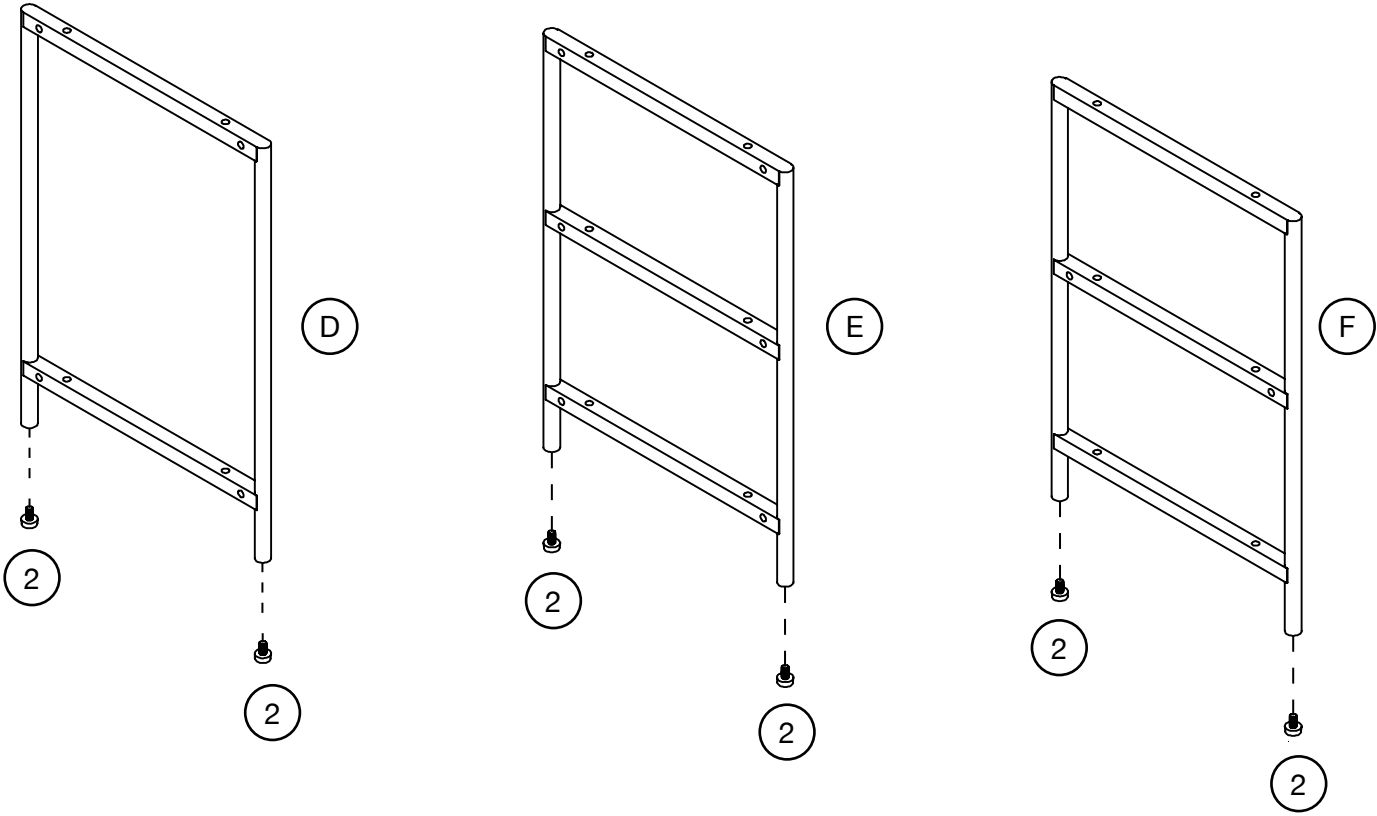
IMPORTANT:

1. Do not tighten bolts / screws completely until all bolts / screws are lined up and inserted into holes.
2. Do not over tighten screws and bolts to avoid stripping.
3. Please use hand tools to assemble this product. Do not use power tools.

Step 1

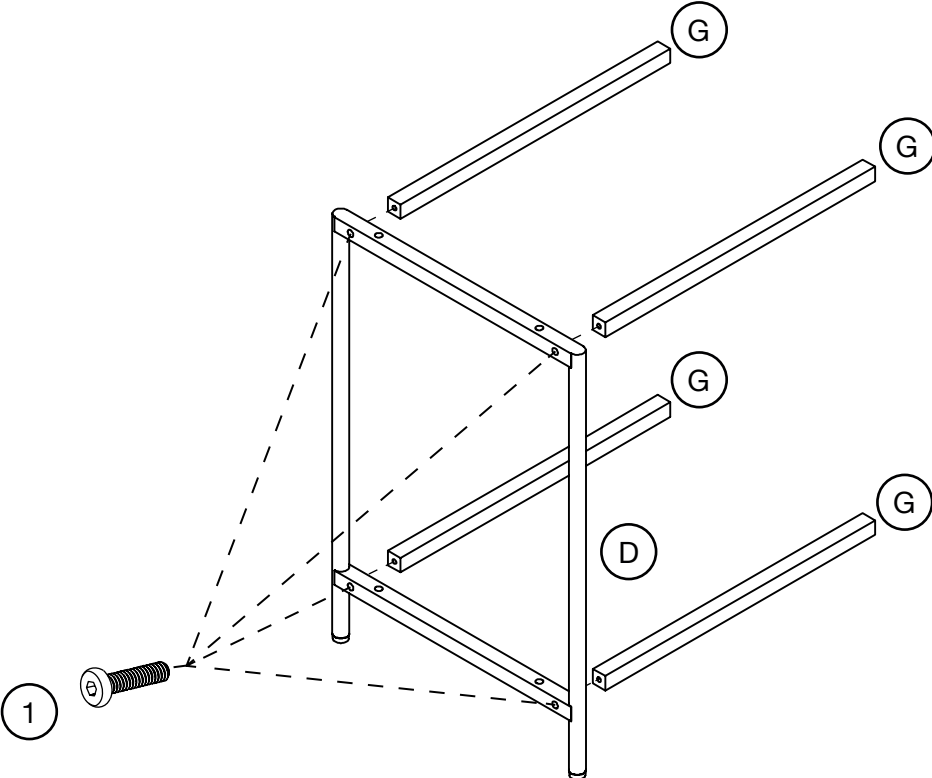
Let's get this thing fired up! Lay down packaging carton or use carpet as a working surface.

Start by attaching the Levelers (2) to the Frames (D), (E), and (F).



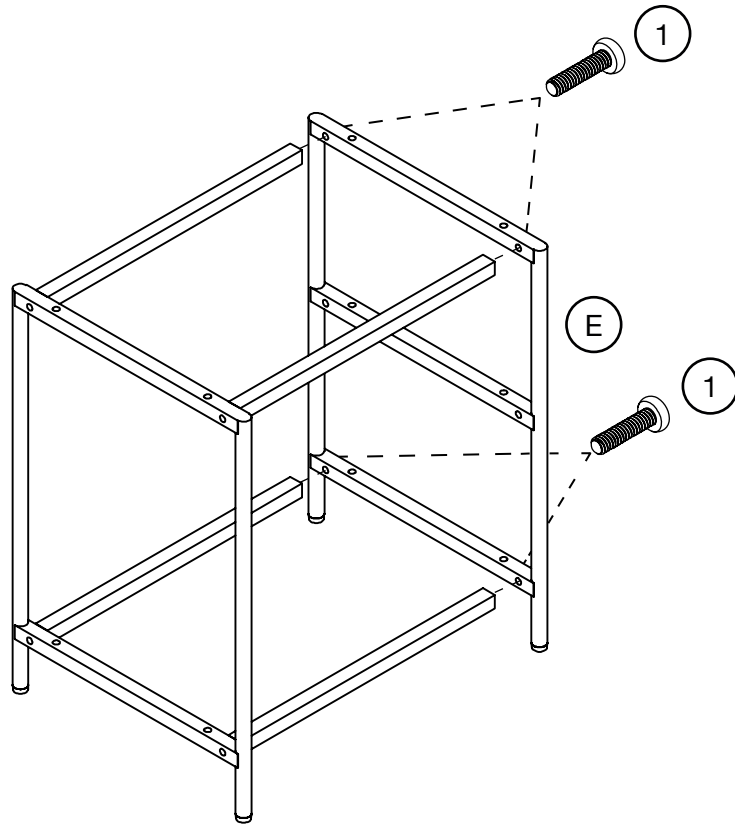
Step 2

Attach the Stretchers (G) to the Left Frame (D).



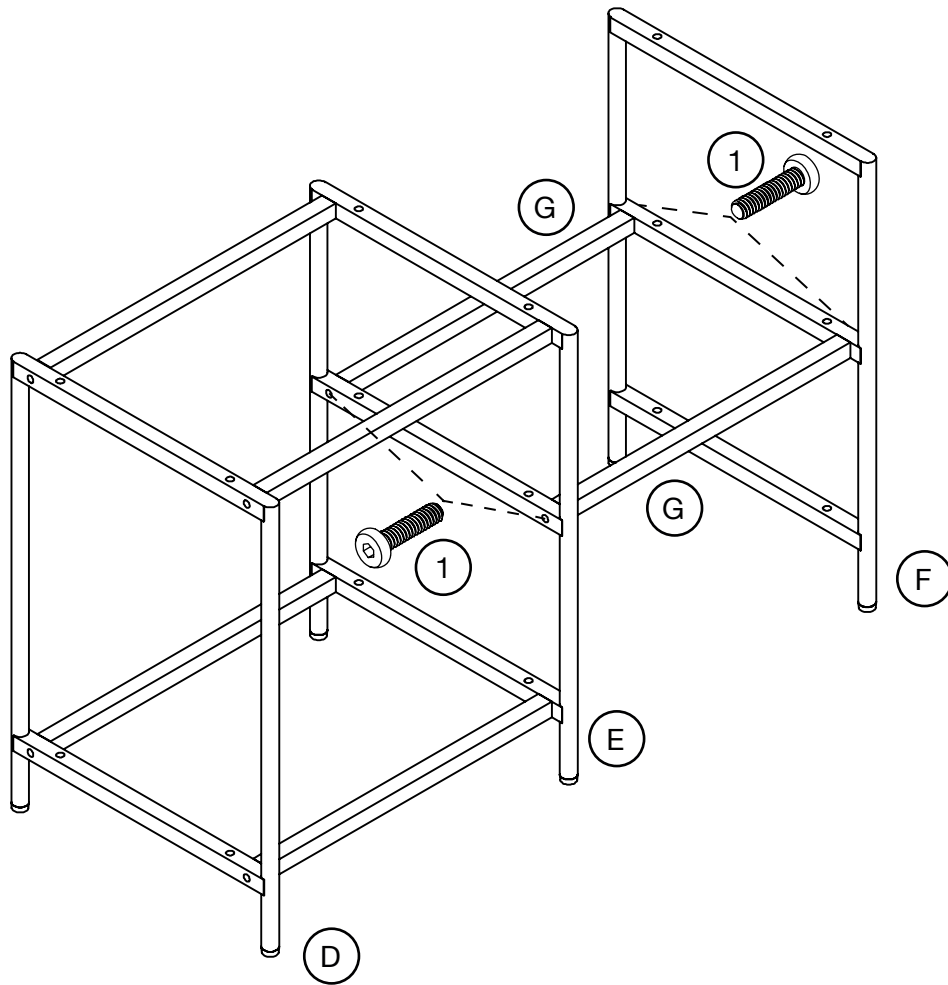
Step 3

Attach the Middle Frame (E) to the parts you assembled in Step 2.



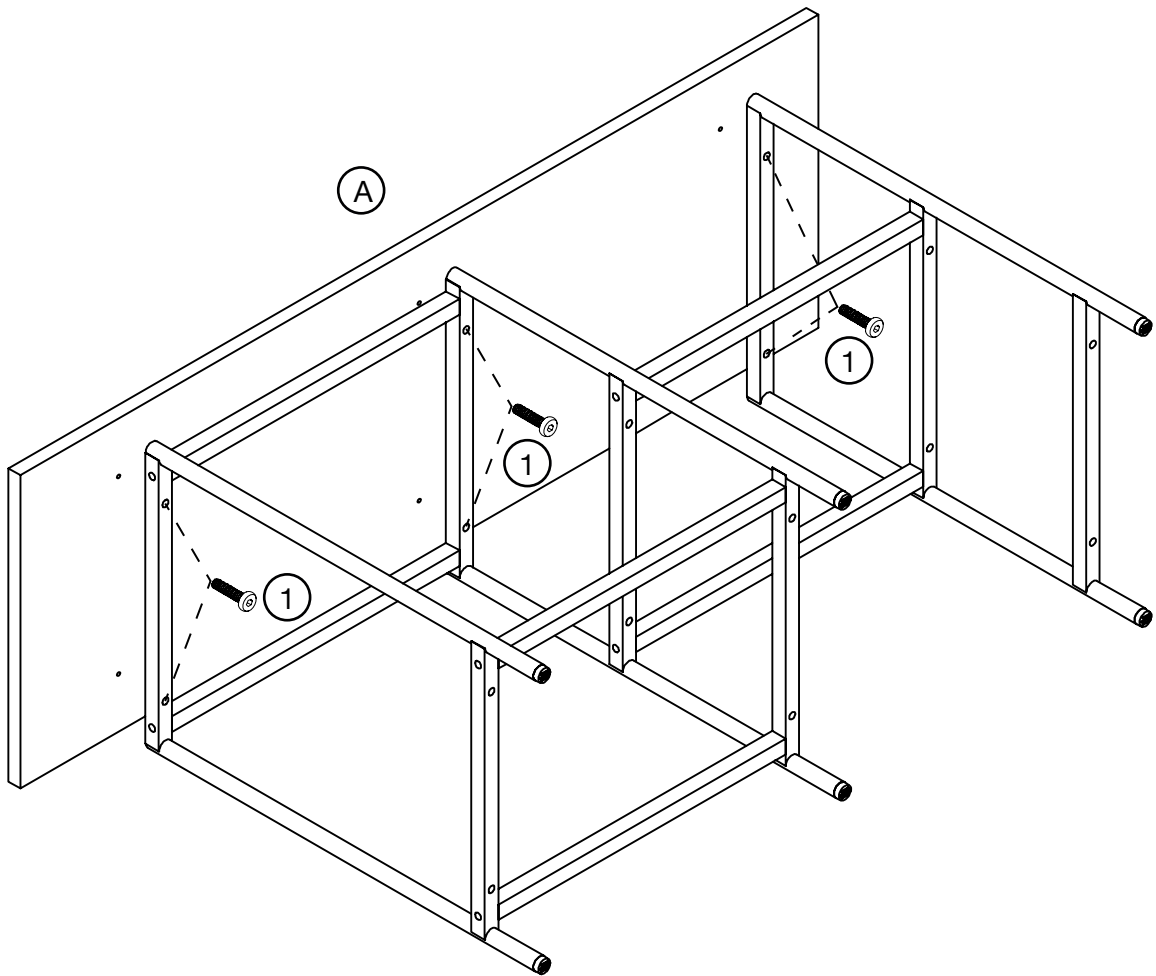
Step 4

Now take the assembled pieces from Step 3 and attach them to the Right Frame (F) and Stretchers (G).



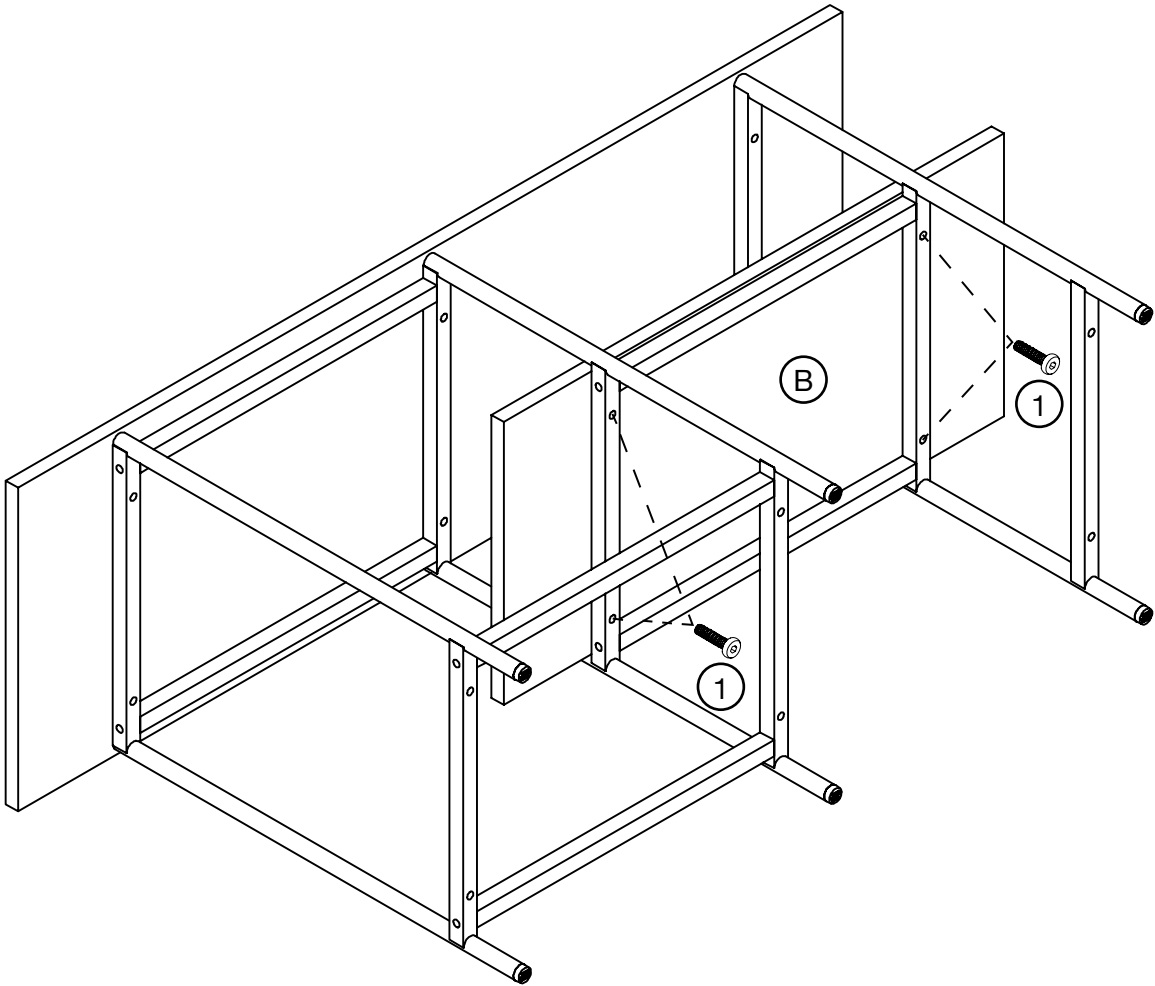
Step 5

Carefully flip the assembled base on its side and bolt on the Top Panel (A).



Step 6

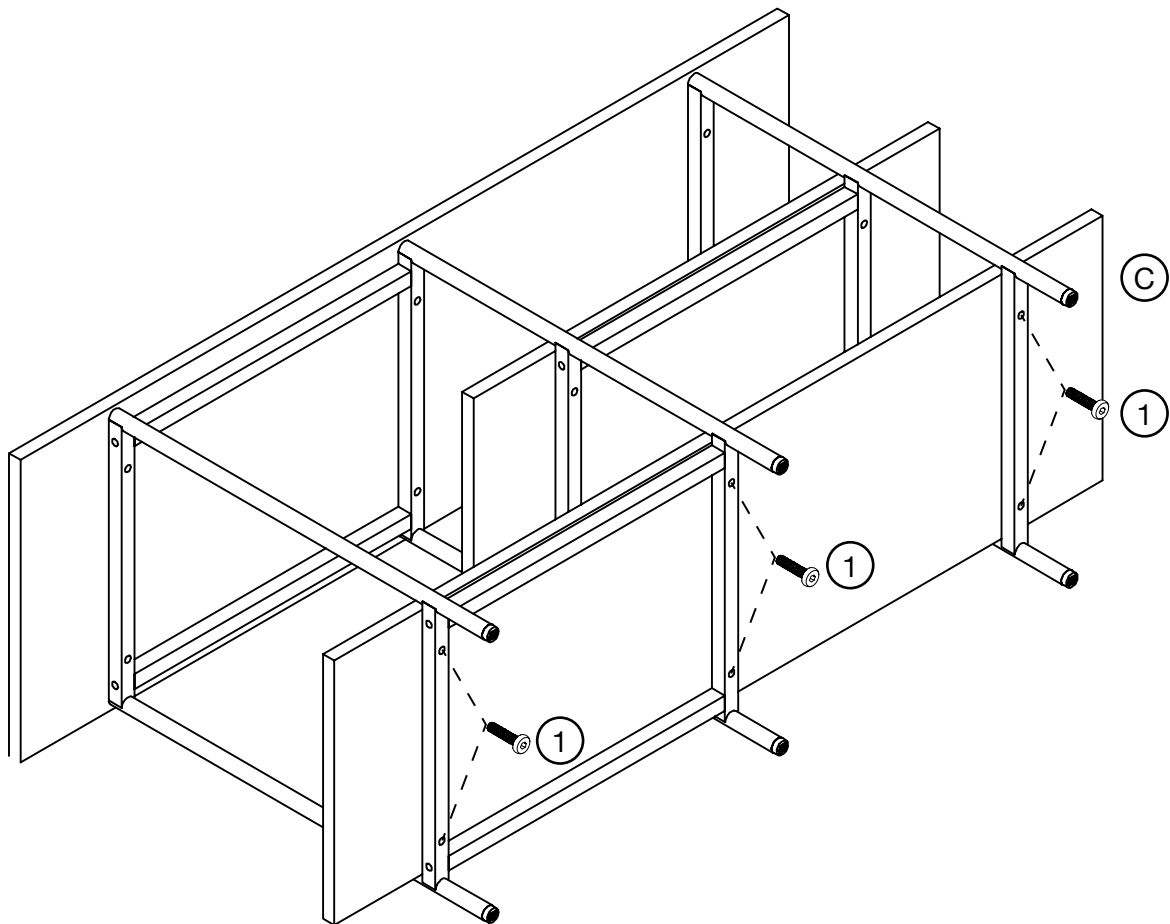
Place and securely attach the Short Shelf (B).

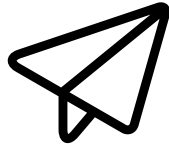


Step 7

And you guessed it! Time to attach the Long Shelf (C).

Ta-Da! Time for that celebratory pizza?
We think yes.





No heartburn, when we handle the return

Give us a call **1-866-619-1004** or shoot us
a message at **help@nathanjames.com**
we will issue you a free replacement
with **zero hassle.**

Our way



Give us a call



Replacement



You

Their way



Re-package item



Schedule pick up



Track package



Replacement



You

We really don't want you to go through the hassle of re-packaging your item and sending it back, because let's be honest...nobody has time for that.

Safety first, fun later

We want your Adler Media Unit to last as long as possible, so we recommend that you tighten the screws 2 weeks after assembly and for added safety check the tightness of all screws every 2 months.

For proper care and treatment of wood and metal please check our website at NathanJames.com/products.

Safety use of this product starts with you.

Use this media unit responsibly with the primary concern for your safety. Follow assembly instructions carefully and inspect product upon receipt and each use.

Nathan James and its parent companies cannot be held legally responsible for any injuries or death resulted from failure to follow instructions or improper use of this product.

Proper Use

- DO NOT** use for commercial purposes
- DO NOT** climb on media unit
- DO NOT** exceed weight limit
- DO NOT** leave spilled liquid on the media unit
- DO NOT** use if media unit is damaged or broken
- DO NOT** make temporary repairs
- DO NOT** use outdoors

We are only in business if you're happy

For starters,
thanks for being you.

☎ Toll-free at 1-866-619-1004
✉ Help@nathanjames.com
🌐 NathanJames.com/help

We do our best to ensure your furniture arrives without any problems, but occasionally mistakes happen - as humans we are imperfect beings. In the event that a part is damaged or missing, we will be more than happy to provide you with replacement part(s) for free.

Warranty

This product comes with a lifetime warranty from the date of purchase. Please use your phone to scan the QR code to register your product or visit <https://goo.gl/i9dk3q>



Did we do alright? Please spread the love!

If you are happy with your product, tell your friends and family about us or even better leave us a review online. Spreading the word gives us the opportunity to make more people happy and keep our prices low for your next purchase.

Brooklyn Burdon

- Founder, Nathan James