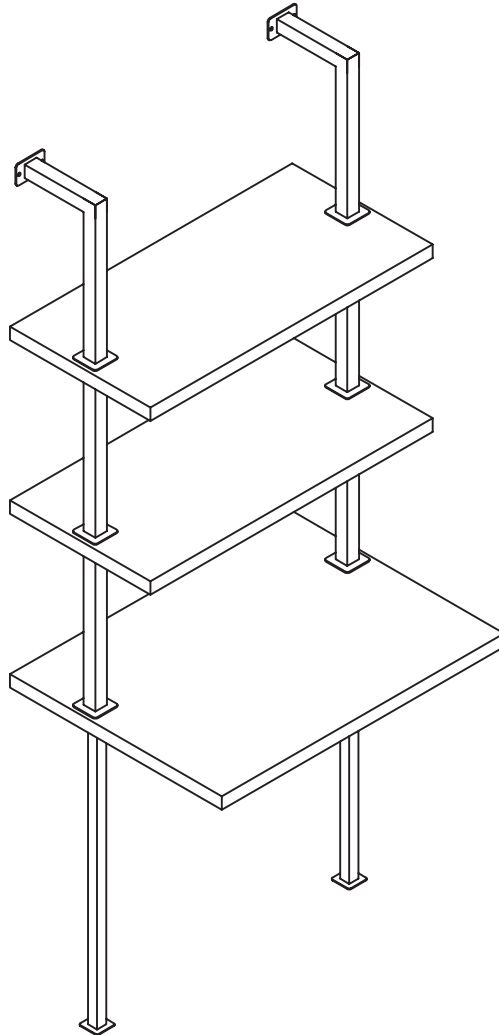


# NATHAN JAMES



Product name

---

Contact

---

**Theo Desk**

Toll-free at 1-866-619-1004  
Help@nathanjames.com  
Nathanjames.com/help

# Ok, let's get rolling

This should be easy, just follow our simple instructions and you will be back to Netflix in no time.

## Estimated time for assembly



30:00

## What you need

- Some of your favourite bubbly or your preferred relaxant
- A buddy! To share the bubbly with and to help you flip the desk over!
- Use the packaging carton as a working surface to prevent product damage during assembly
- Phillips-Head screw driver

## Weight Limitation



55

lbs for writing surface

33

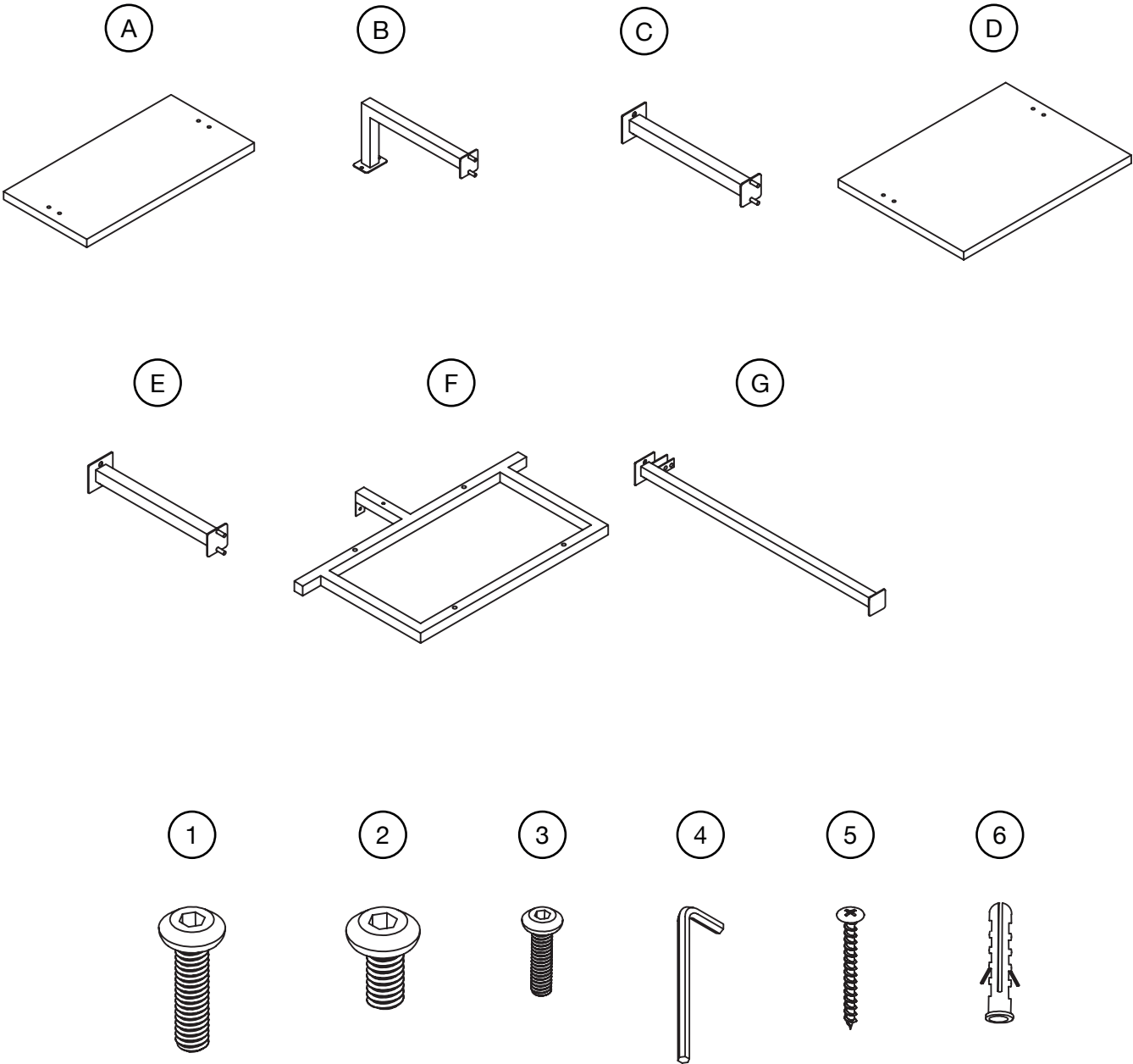
lbs per shelf

## What's included

Code	Description	Qty
A	Shelf	2
B	Writing Panel	1
C	Top Wall Mount Frame Support	2
D	Short Stretcher	2
E	Long Stretcher	2
F	Frame	1
G	Support	2
1	M6*35 MM Bolt	5
2	M6*15 MM Bolt	4
3	M5*18MM Bolt	12
4	Allen Key	1
5	M4.2*32 MM Screw	5
6	M4*30MM Wall Anchor	5

Toll-free at 1-866-619-1004  
Help@nathanjames.com  
Nathanjames.com/help

# The goods



**IMPORTANT:**

- 1. Do not tighten bolts / screws completely until all bolts / screws are lined up and inserted into holes.
- 2. Do not over tighten screws and bolts to avoid stripping.
- 3. Please use hand tools to assemble this product. Do not use power tools.



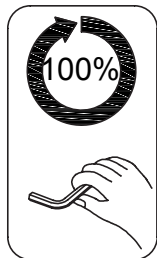
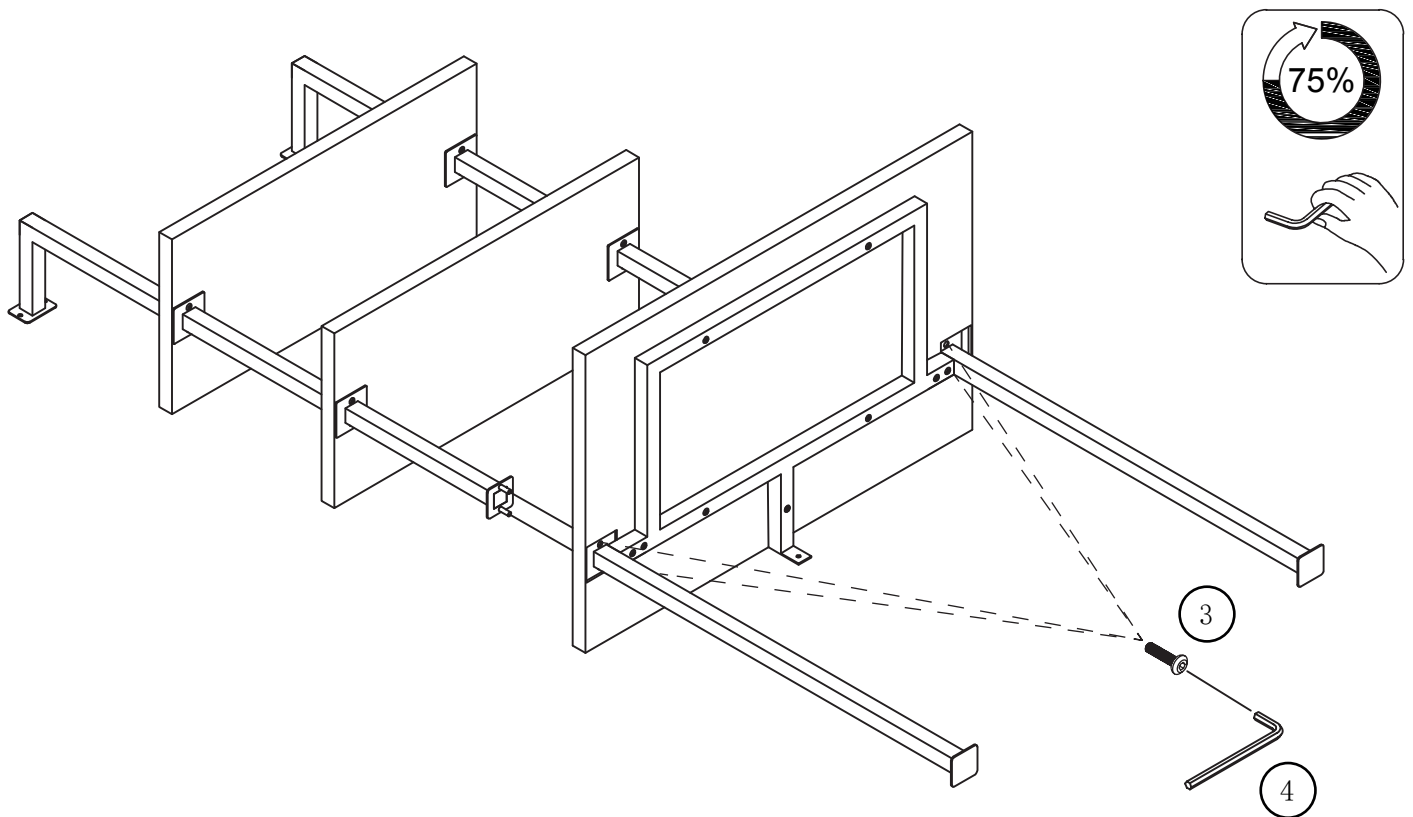




# Step 6

Now take the assembled desk pieces from Step Five and put it together with the shelves you completed back in Step Two.

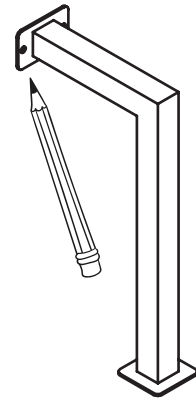
Spoiler alert: You're almost done.



Once Step 6 is complete, you can now go back and tighten all of the bolts in the previous steps!

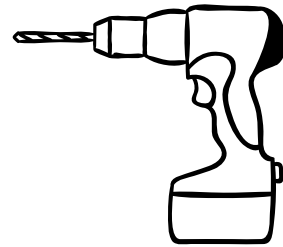
# Mark it

Chose your desired location on the wall, have your friend hold the bookcase in place and use a pencil to mark where the anchor will go.



# 1/4 Drill bit

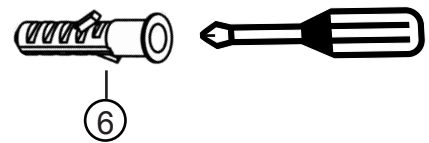
Move bookcase to the side and following the mark you just made. With a 1/4 drill bit, drill 2 holes into the wall.



# Phillips screwdriver

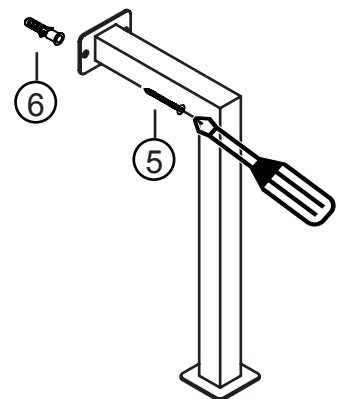
Following the mark you just made. Using your phillips head screw driver, screw the plastic anchors into the holes until they are flush to the wall.

*If you're feeling strong, just go ahead and push it in.*



# All about the angle

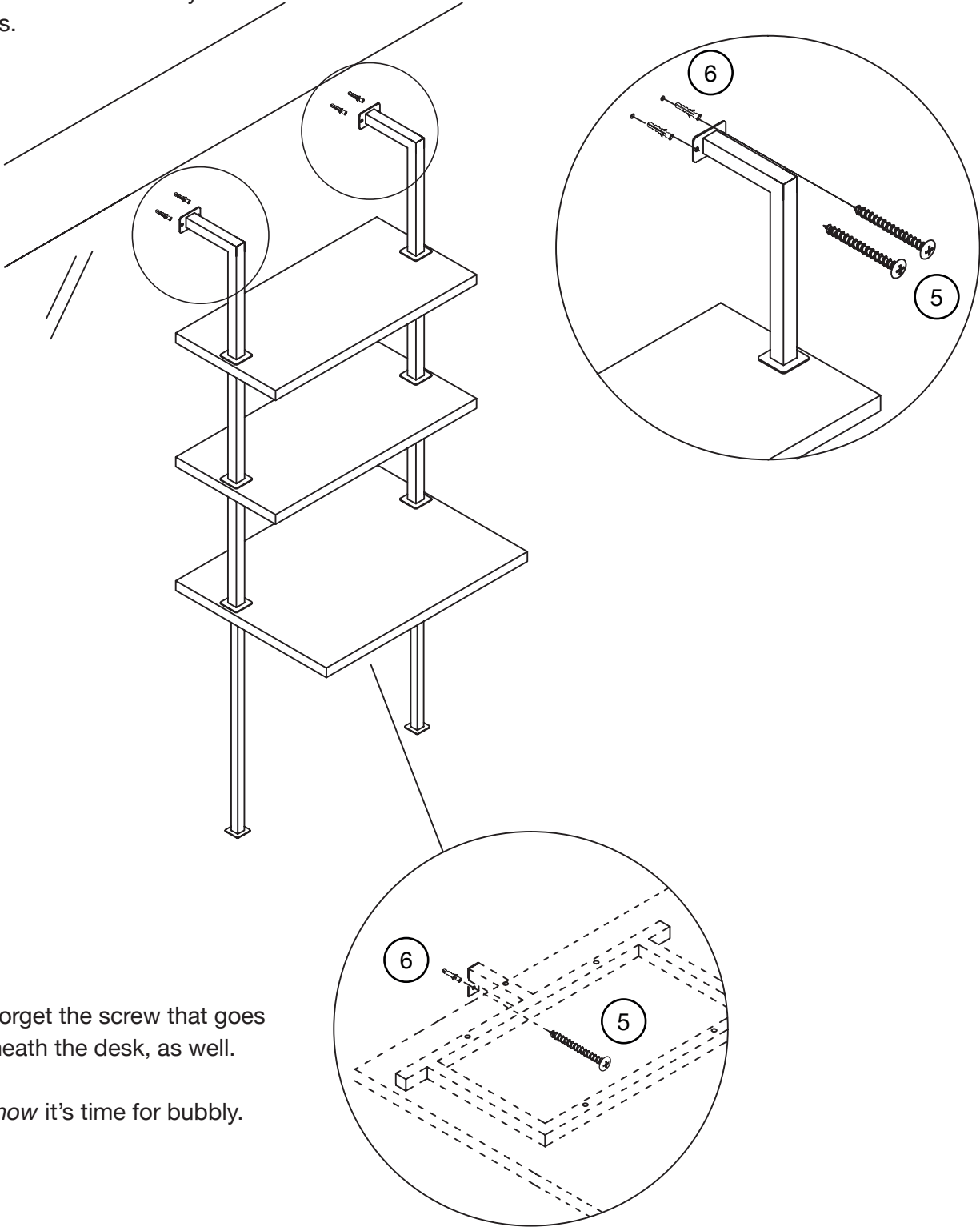
Insert 1 screw through each metal bracket and into the drywall anchor. Tilt your phillips head screwdriver, and secure but do not over tighten. **YOU'RE ALL DONE!** Time for Netflix!





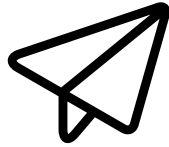
# Step 7

This last step is where your friend comes in. Have them help you carefully flip the desk against the wall while you securely screw it in place.  
You did it! Time for that bubbly?  
We think yes.



Don't forget the screw that goes underneath the desk, as well.

Okay, *now* it's time for bubbly.



# No heartburn, when we handle the return

---

Give us a call **1-866-619-1004** or shoot us  
a message at **help@nathanjames.com**  
we will issue you a free replacement  
with **zero hassle.**

## Our way

---



Give us a call

---



Replacement

---



You

---

## Their way

---



Re-package item

---



Schedule pick up

---



Track package

---



Replacement

---



You

---

We really don't want you to go through the hassle of re-packaging your item and sending it back, because let's be honest...nobody has time for that.

# Safety first, fun later

---

We want your Theo Desk to last as long as possible, so we recommend that you tighten the screws 2 weeks after assembly and for added safety check the tightness of all screws every 2 months.

For proper care and treatment of wood and metal please check our website at [NathanJames.com/products](http://NathanJames.com/products).

## **Safety use of this product starts with you.**

Use this desk responsibly with the primary concern for your safety. Follow assembly instructions carefully and inspect product upon receipt and each use.

Nathan James and its parent companies cannot be held legally responsible for any injuries or death resulted from failure to follow instructions or improper use of this product.

## Proper Use

---

- DO NOT** use for commercial purposes
- DO NOT** climb on desk
- DO NOT** exceed weight limit
- DO NOT** leave spilled liquid on the desk
- DO NOT** use if desk is damaged or broken
- DO NOT** make temporary repairs
- DO NOT** use outdoors

# We are only in business if you're happy

---

For starters,  
thanks for being you.

☎ Toll-free at 1-866-619-1004  
✉ Help@nathanjames.com  
🌐 NathanJames.com/help

We do our best to ensure your furniture arrives without any problems, but occasionally mistakes happen - as humans we are imperfect beings. In the event that a part is damaged or missing, we will be more than happy to provide you with replacement part(s) for free.

## Warranty

This product comes with a lifetime warranty from the date of purchase. Please use your phone to scan the QR code to register your product or visit <https://goo.gl/i9dk3q>



## Did we do alright? Please spread the love!

If you are happy with your product, tell your friends and family about us or even better leave us a review online. Spreading the word gives us the opportunity to make more people happy and keep our prices low for your next purchase.

*Brooklyn Burdon*

- Founder, Nathan James