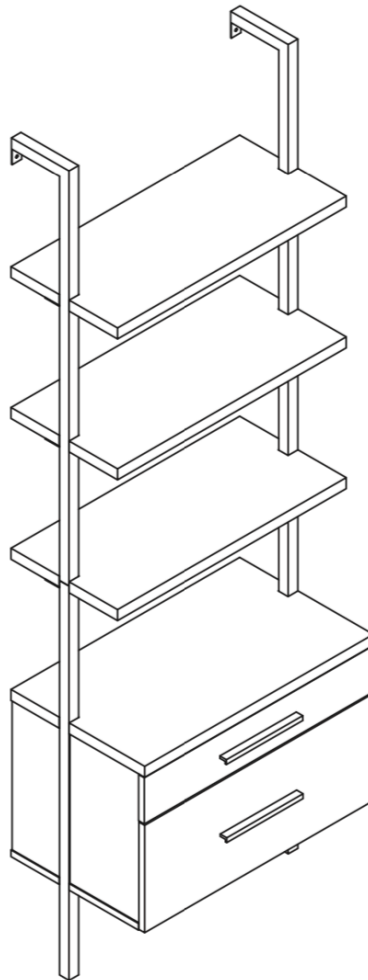


# NATHAN JAMES



Product name

---

Contact

---

**Theo Storage  
Bookcase**

Toll-free at 1-866-619-1004  
Help@nathanjames.com  
Nathanjames.com/help

# Ok, let's get rolling

This should be easy, just follow our simple instructions and you will be back to Netflix in no time.

## Estimated time for assembly



40:00

## What you need

- Some of your favourite bubbly or your preferred relaxant
- Use the packaging carton as a working surface to prevent product damage during assembly
- Phillips head screwdriver (not included)
- Drill - 1/4" Drill bit (not included)

## Weight Limitation



55

lbs per shelf

30

lbs per drawer

Toll-free at 1-866-619-1004  
Help@nathanjames.com  
Nathanjames.com/help

## What's included

Code	Description	Qty
A	Left side frame base support	1
B	Bookcase frame support (top with wall mount)	2
C	Right side frame base support	1
D	Bookcase joint attachment	2
E	Bookcase bottom support	1
F	Top panel of cabinet	1
G	Bottom panel of cabinet	1
H	Left front side panel	1
I	Right front side panel	1
J	Left back side panel	1
K	Right back side panel	1
L	Upper drawer front	1
M	Bottom drawer front	1
N	Left side panel of upper drawer	1
O	Right side panel of upper drawer	1

# What's included

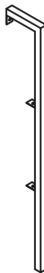
<b>Code</b>	<b>Description</b>	<b>Qty</b>
P	Back panel of upper drawer	1
Q	Left side panel of bottom drawer	1
R	Right side panel of bottom drawer	1
S	Back panel of bottom drawer	1
T	Bottom panel of drawer	2
U	Back panel of cabinet	1
V	Bookcase shelves	3

# The goods

A



B



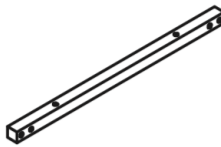
C



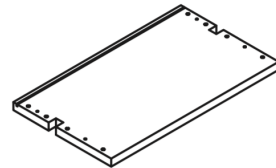
D



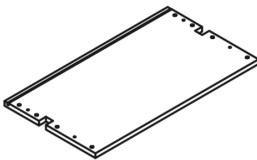
E



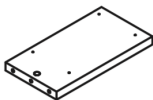
F



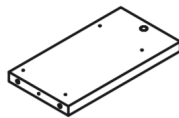
G



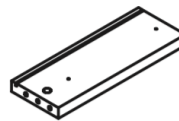
H



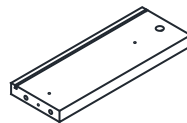
I



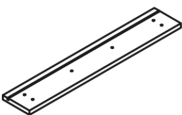
J



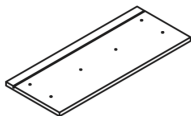
K



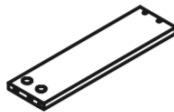
L



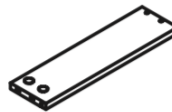
M



N



O



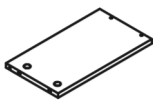
P



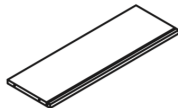
Q



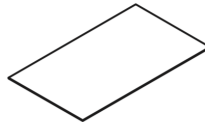
R



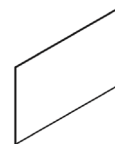
S



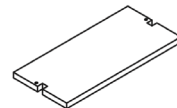
T



U



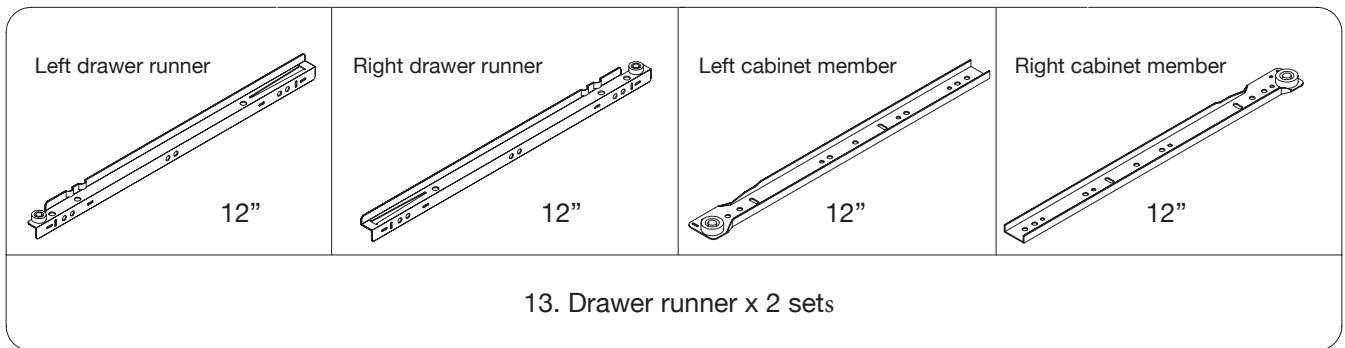
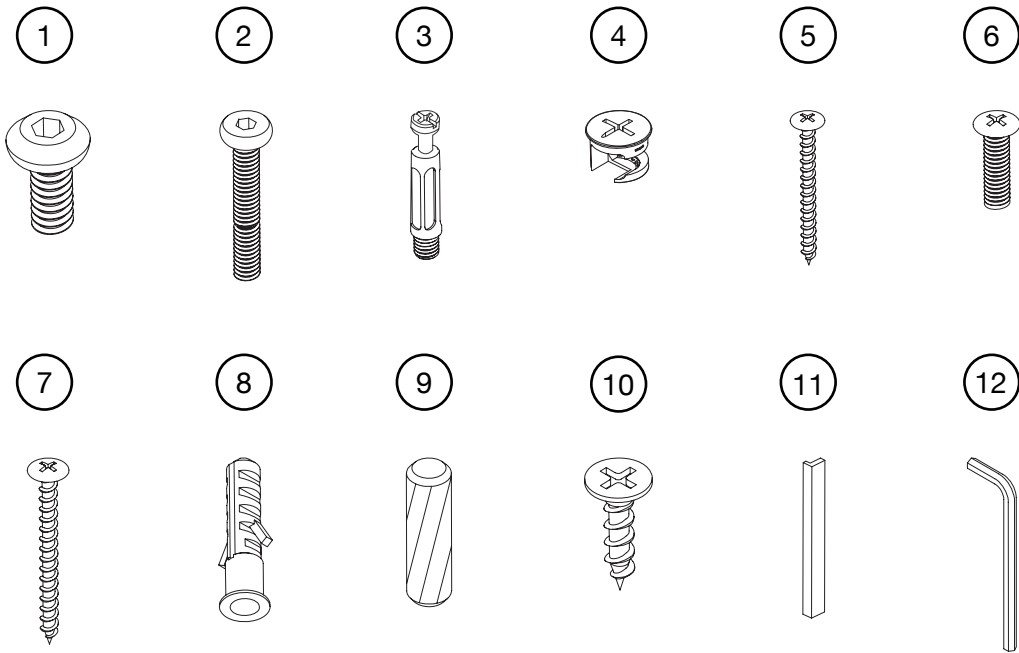
V



## What's included

<b>Code</b>	<b>Description</b>	<b>Qty</b>	<b>Code</b>	<b>Description</b>	<b>Qty</b>
1	M6*15MM bolt	14	8	M6*30MM wall anchors	2
2	M6*35MM bolt	2	9	M8*30MM wooden dowel	16
3	M6*30MM cam bolt	12	10	M3.5*12MM screw	24
4	Φ 15*9.5 MM cam lock	12	11	Handle	2
5	M4*40MM screw	12	12	Allen key	1
6	M4X20MM bolt	4	13	Drawer runner set	8
7	M4.2*32MM screw	2			

# The goods

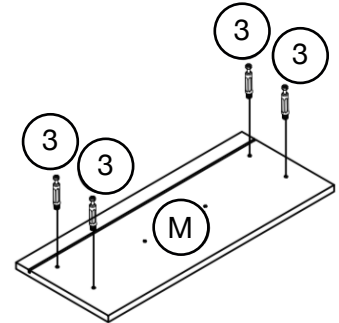
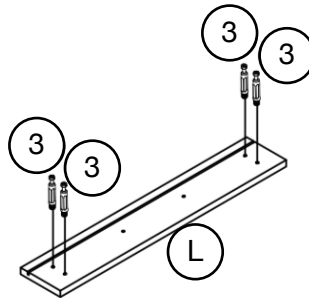
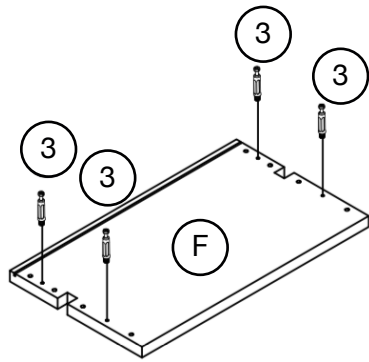


## IMPORTANT:

1. Do not tighten bolts / screws completely until all bolts / screws are lined up and inserted into holes.
2. Do not over tighten screws and bolts to avoid stripping.
3. Please use hand tools to assemble this product. Do not use power tools.

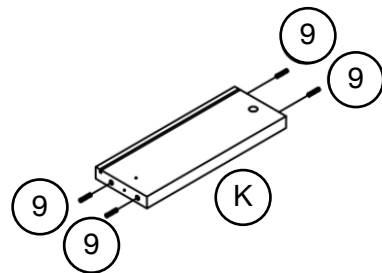
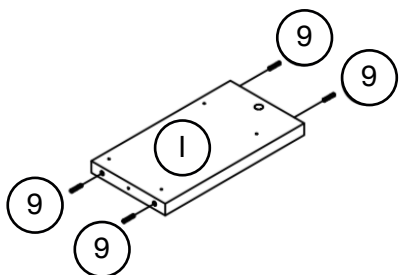
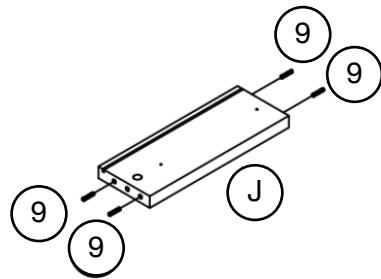
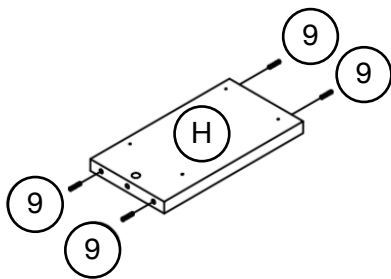
# Step 1

Lay down the packaging carton or use carpet as a working surface and let's fire this thing up!



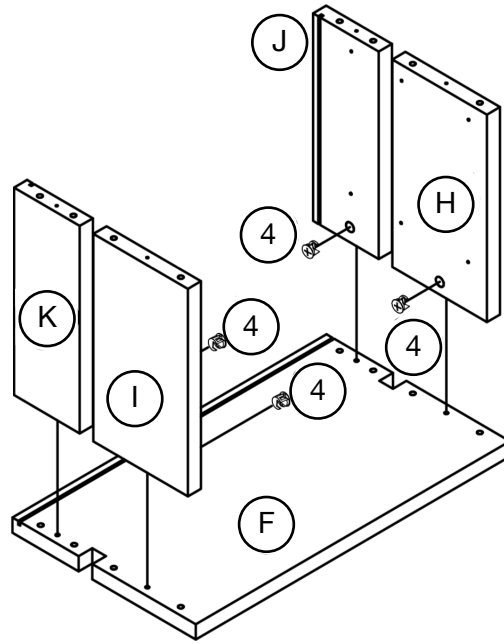
# Step 2

Attach the wooden dowels.



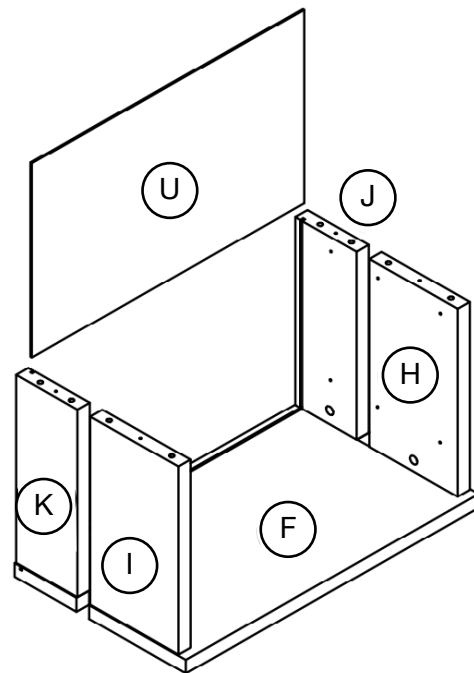
# Step 3

Now attach the side panels to the top panel.  
You're doing great!



# Step 4

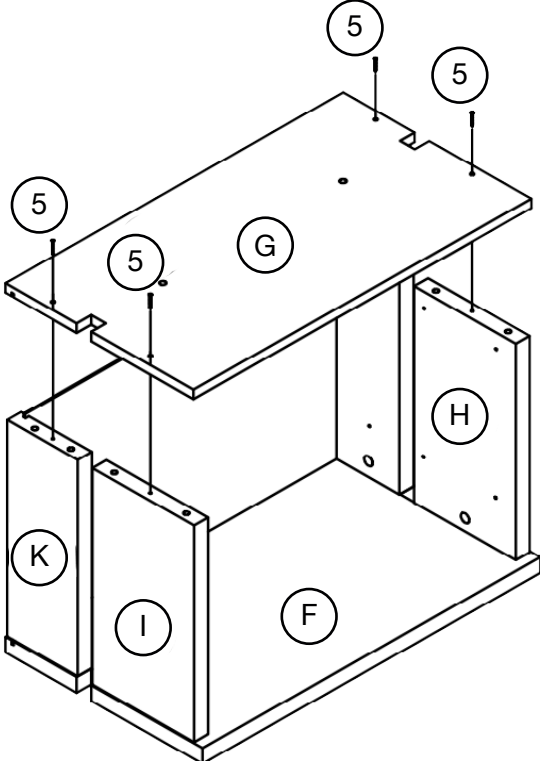
Slide the back panel in the grooves until fitted securely.





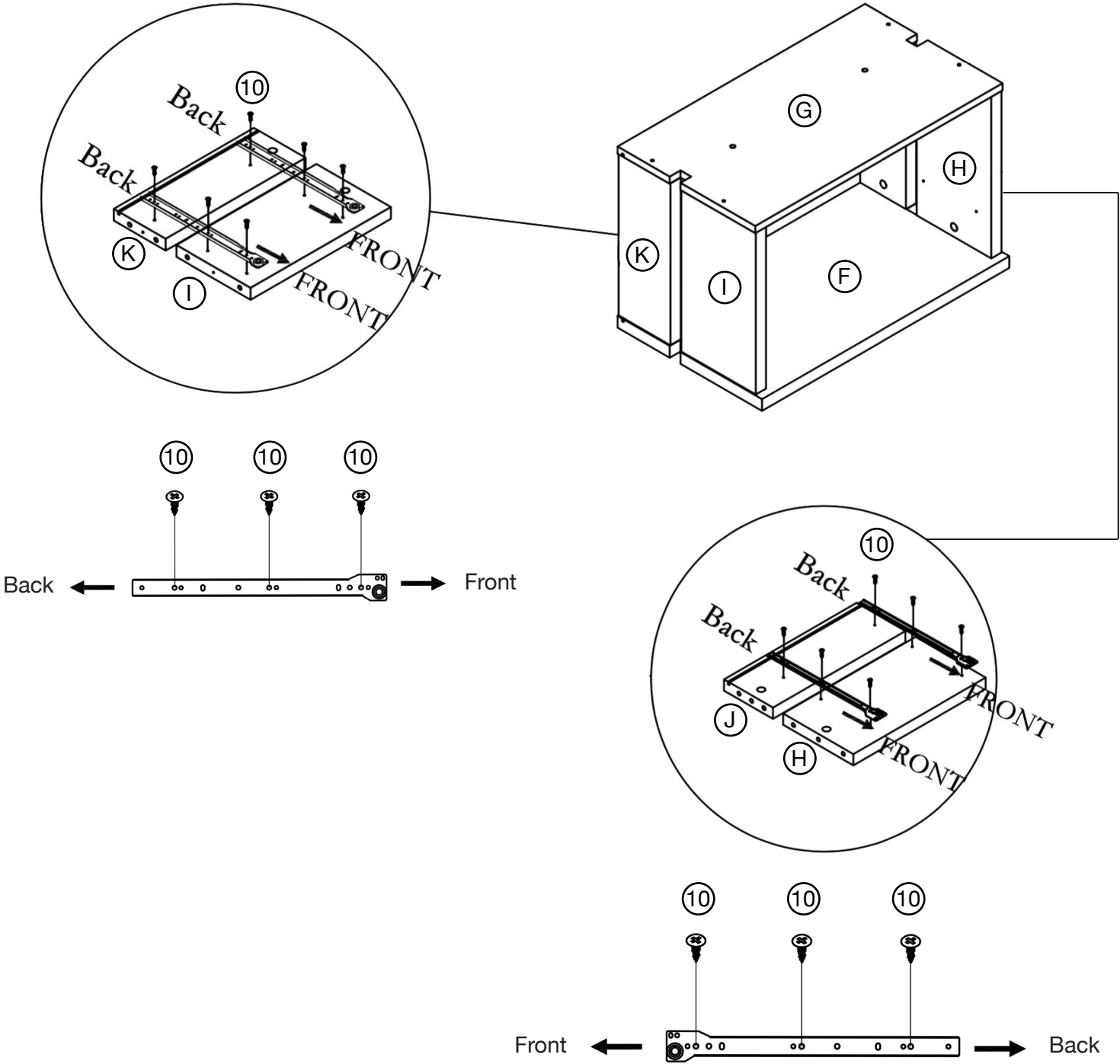
# Step 5

Screw in bottom panel of cabinet.



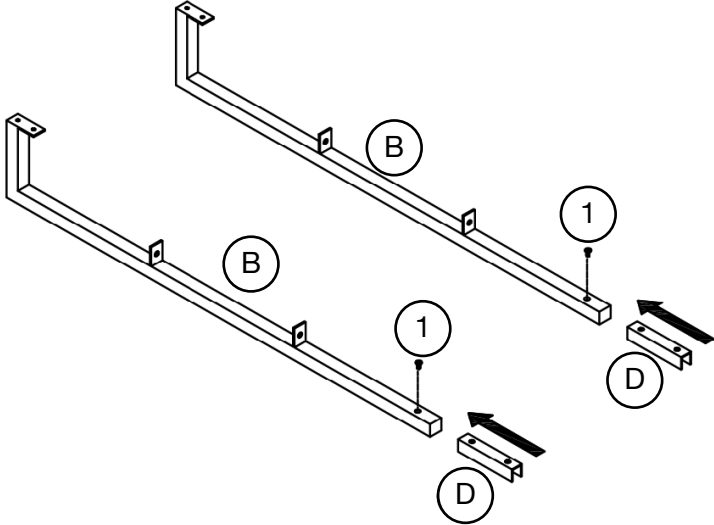
# Step 6

Attach the cabinet members to the sides of the drawers, paying careful attention to screw them in the correct way!



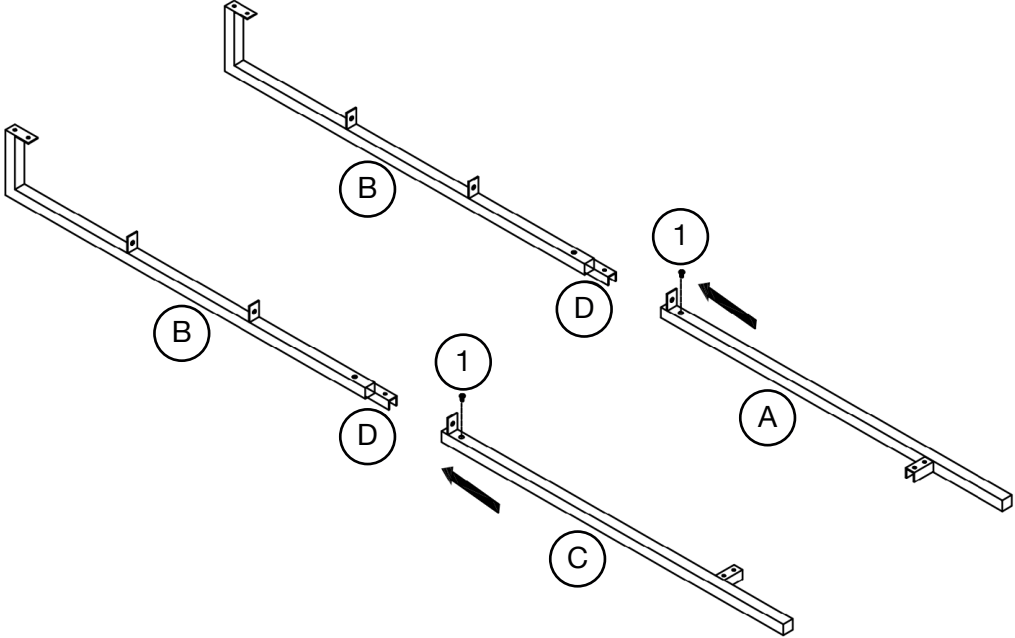
# Step 7

Screw in part D to part B for both sets.



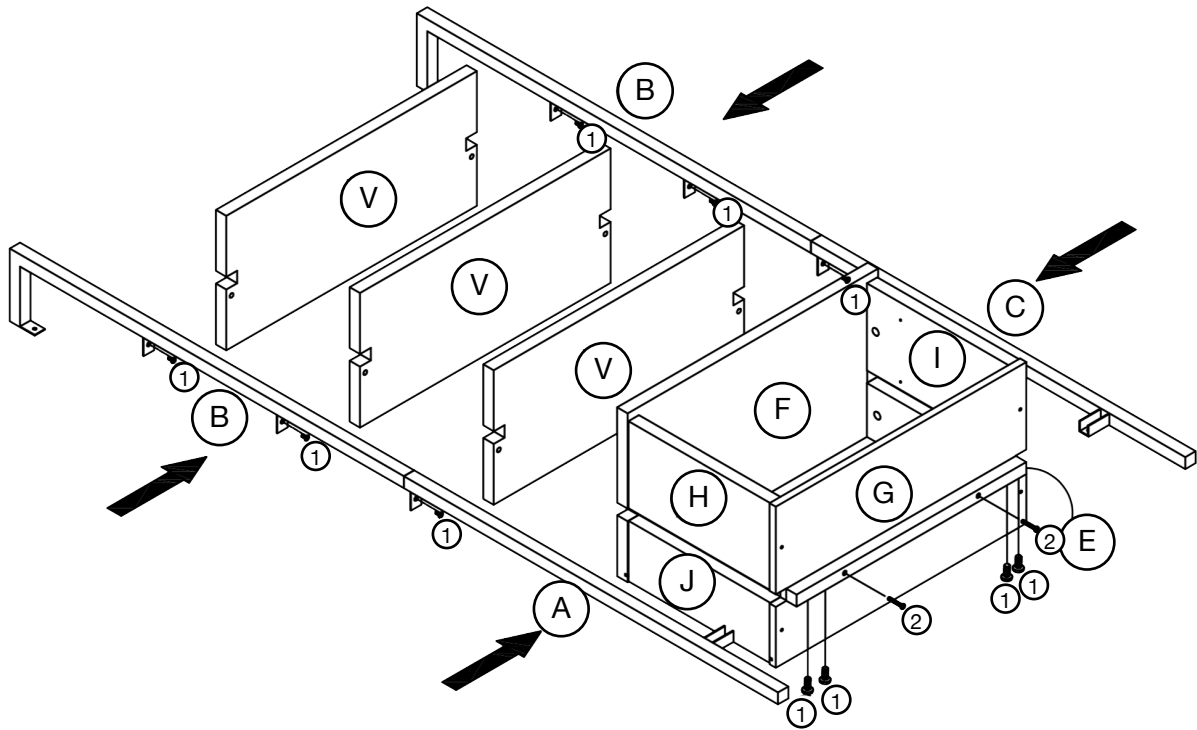
# Step 8

Screw in the left and right side base frame supports. Now we're cookin'!



# Step 9

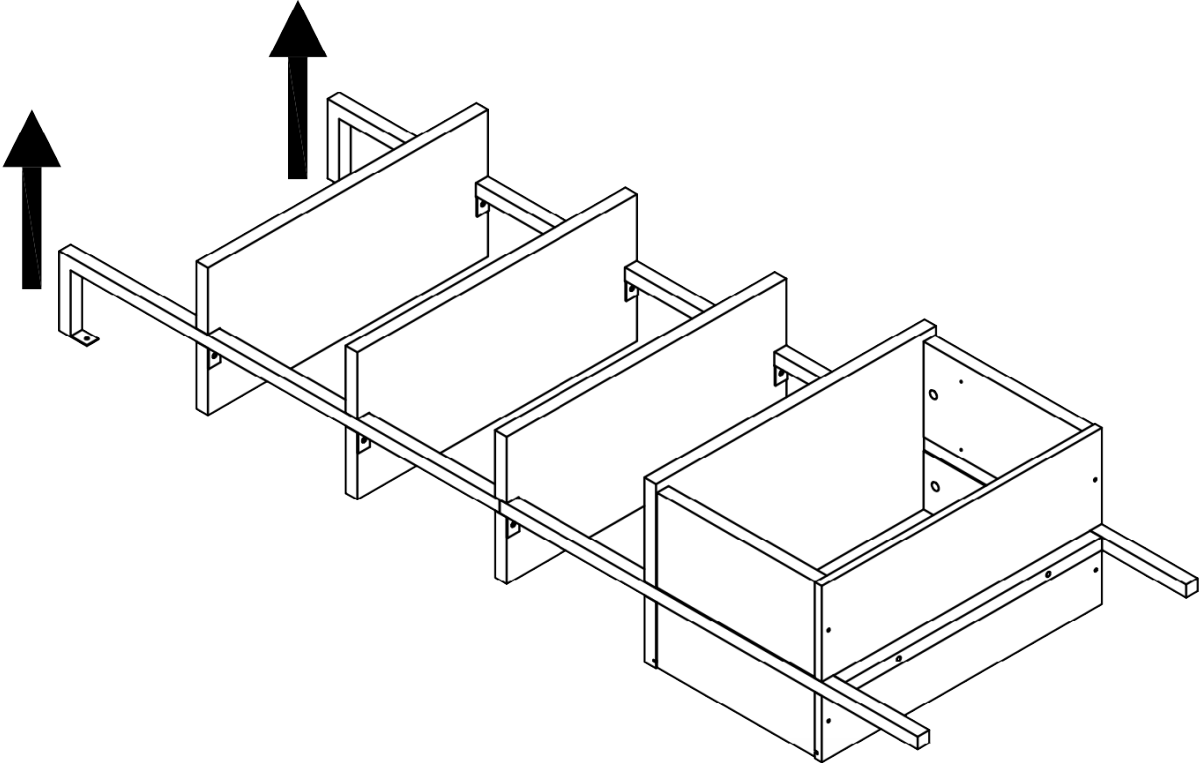
Line up the bookcase shelves (part V) and the side supports and screw together tightly.



Heads up: the next step you'll need some help from a friend so start thinking of who you're going to ask now! Also start thinking about what pizza toppings you're going to order when this is all said and done!

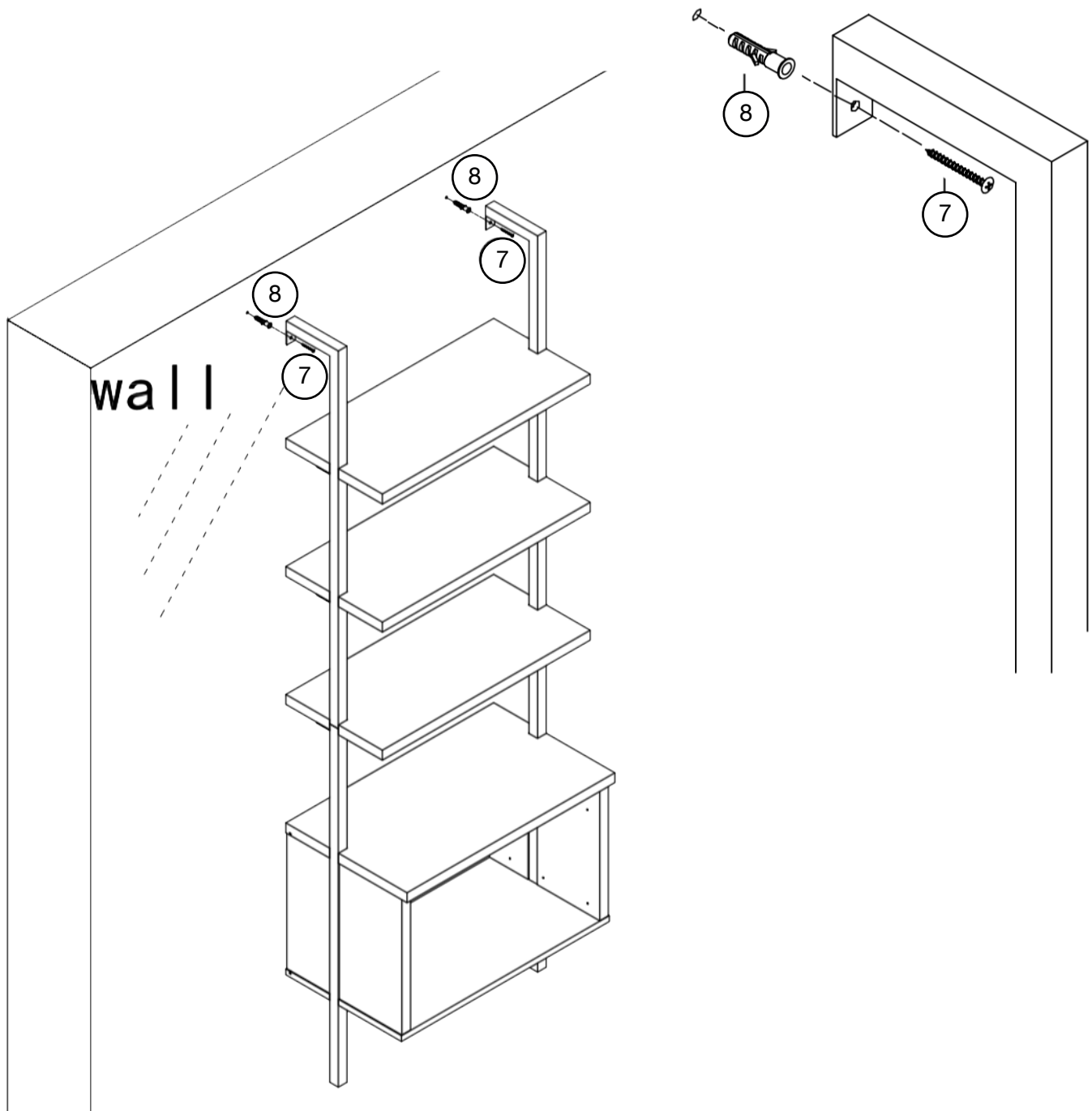
# Step 10

Grab a friend and have them help you lift the  
bookcase right side up!



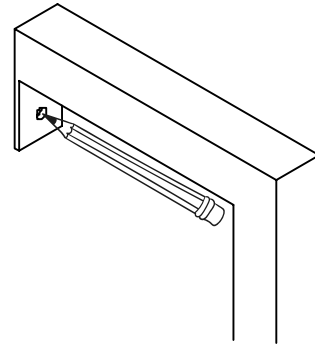
# Step 11

Ok, we will admit this is our least favorite step, also.  
But, it's worth the possible 20-second meltdown  
because everything will look SO clean at the end!



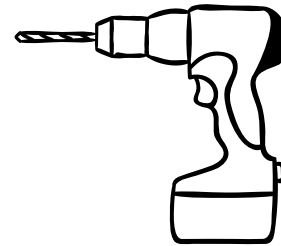
# Mark it

Chose your desired location on the wall, have your friend hold the bookcase in place and use a pencil to mark where the anchor will go.



# 1/4 Drill bit

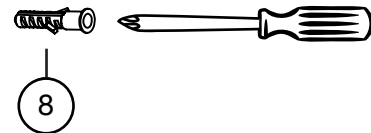
Move bookcase to the side and following the mark you just made. With a 1/4 drill bit, drill 2 holes into the wall.



# Phillips screwdriver

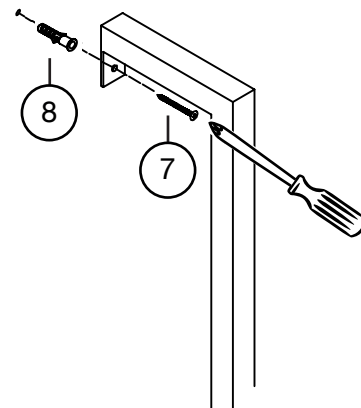
Following the mark you just made. Using your phillips head screw driver, screw the plastic anchors into the holes until they are flush to the wall.

***If you're feeling strong, just go ahead and push it in.***



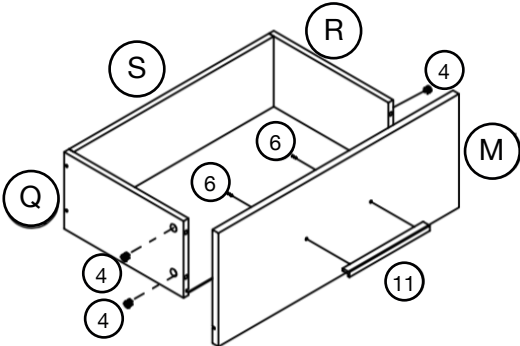
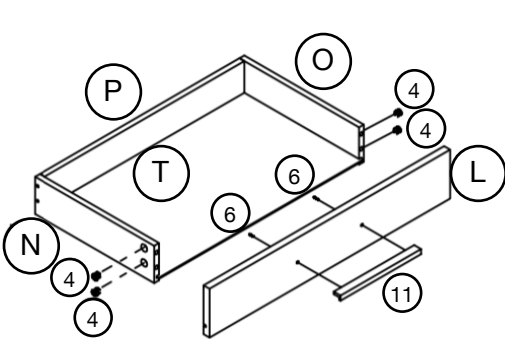
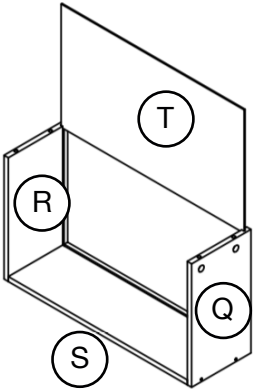
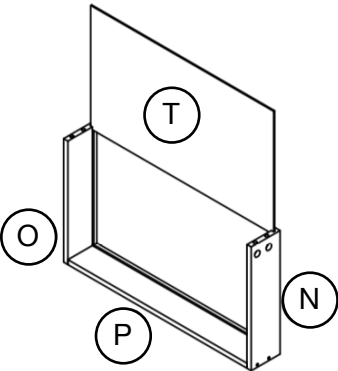
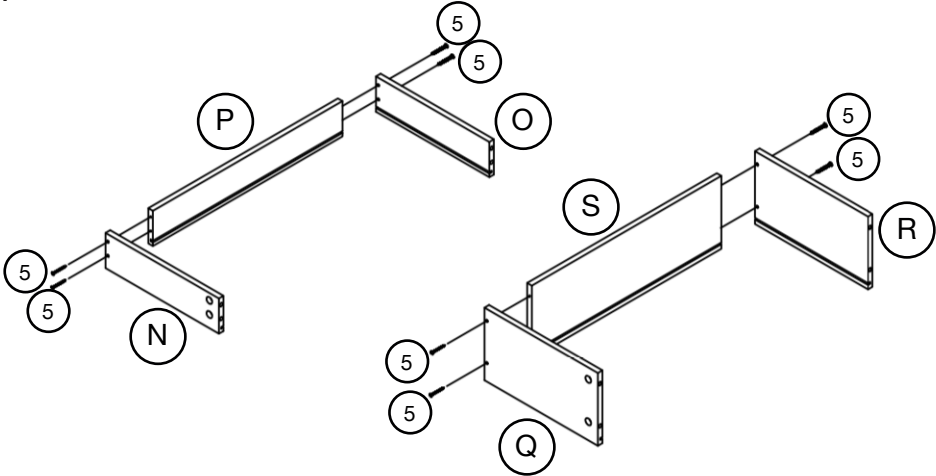
# All about the angle

Insert 1 screw through each metal bracket and into the drywall anchor. Tilt your phillips head screwdriver, and secure but do not over tighten. YOU'RE ALL DONE! Time for Netflix!



# Step 12

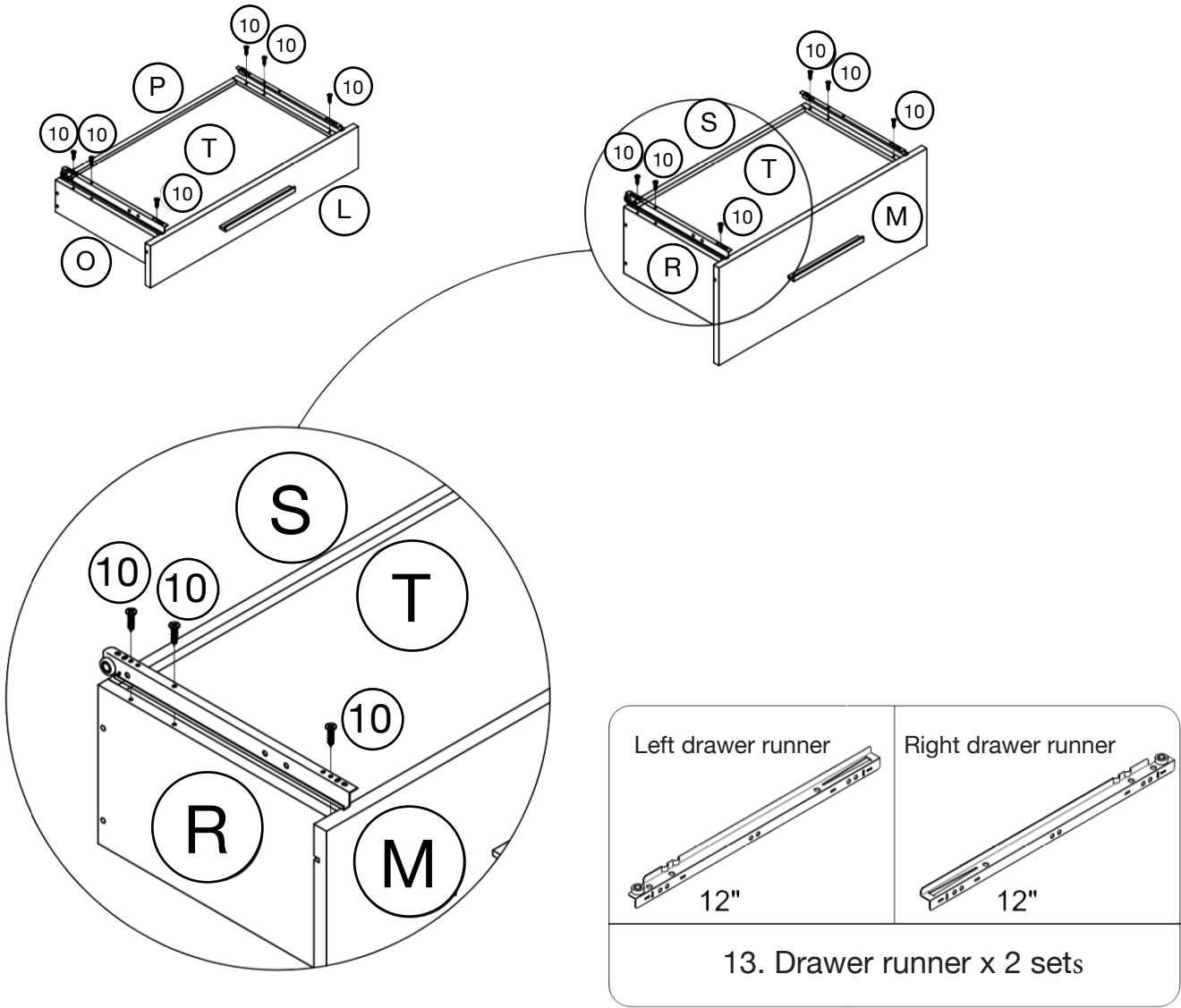
Time to assemble the drawers! If you're feeling faint, now's the perfect time to grab a La Croix or drink of choice to get you through the last two steps.





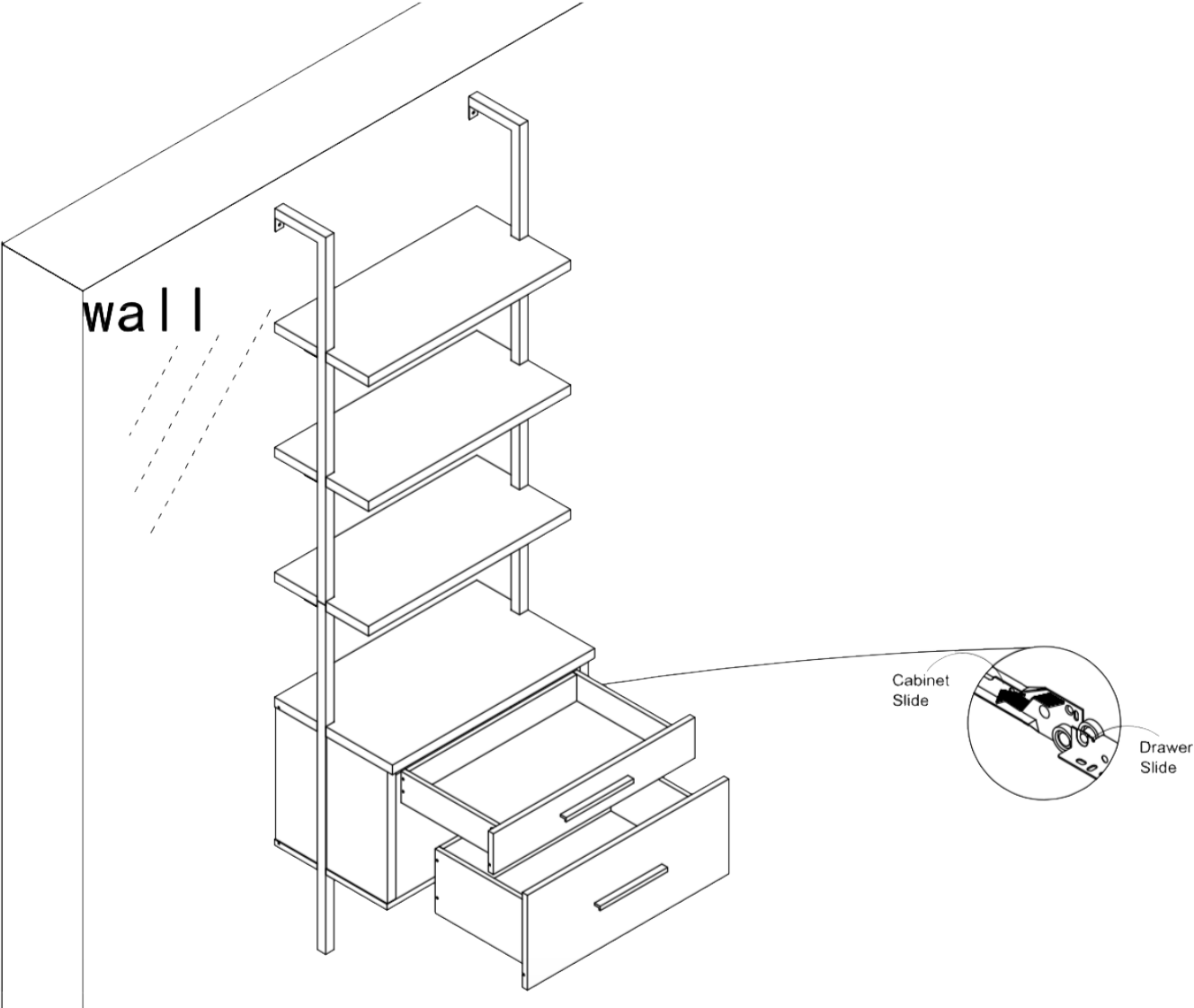
# Step 13

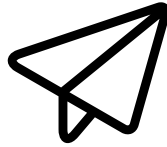
Attach the drawer runners to the inside of the cabinets. This will allow them to open and close smoothly!



# Step 14

Last but not least, slide the drawers into the bookcase. This calls for pizza! You deserve it!





# No heartburn, when we handle the return

---

Give us a call **1-866-619-1004** or shoot us  
a message at **help@nathanjames.com**  
we will issue you a free replacement  
with **zero hassle.**

## Our way

---



Give us a call

---



Replacement

---



You

---

## Their way

---



Re-package item

---



Schedule pick up

---



Track package

---



Replacement

---



You

---

We really don't want you to go through the hassle of re-packaging your item and sending it back, because let's be honest...nobody has time for that.

# Safety first, fun later

---

We want your bookcase to last as long as possible, so we recommend that you tighten the screws 2 weeks after assembly and for added safety check the tightness of all screws every 2 months.

For proper care and treatment of wood and metal please check our website at [NathanJames.com/products](http://NathanJames.com/products).

## **Safety use of this product starts with you.**

Use this bookcase responsibly with the primary concern for your safety. Follow assembly instructions carefully and inspect product upon receipt and each use.

Nathan James and its parent companies cannot be held legally responsible for any injuries or death resulted from failure to follow instructions or improper use of this product.

## Proper Use

---

- DO NOT** use for commercial purposes
- DO NOT** climb on bookcase
- DO NOT** exceed weight limit
- DO NOT** leave spilled liquid on the shelves
- DO NOT** use if bookcase is damaged or broken
- DO NOT** make temporary repairs
- DO NOT** use outdoors

# We are only in business if you're happy

---

For starters,  
thanks for being you.

☎ Toll-free at 1-866-619-1004  
✉ Help@nathanjames.com  
🌐 NathanJames.com/help

We do our best to ensure your furniture arrives without any problems, but occasionally mistakes happen - as humans we are imperfect beings. In the event that a part is damaged or missing, we will be more than happy to provide you with replacement part(s) for free.

## Warranty

This product comes with a lifetime warranty from the date of purchase. Please use your phone to scan the QR code to register your product or visit <https://goo.gl/i9dk3q>



## Did we do alright? Please spread the love!

If you are happy with your product, tell your friends and family about us or even better leave us a review online. Spreading the word gives us the opportunity to make more people happy and keep our prices low for your next purchase.

*Brooklyn Burdon*

- Founder, Nathan James