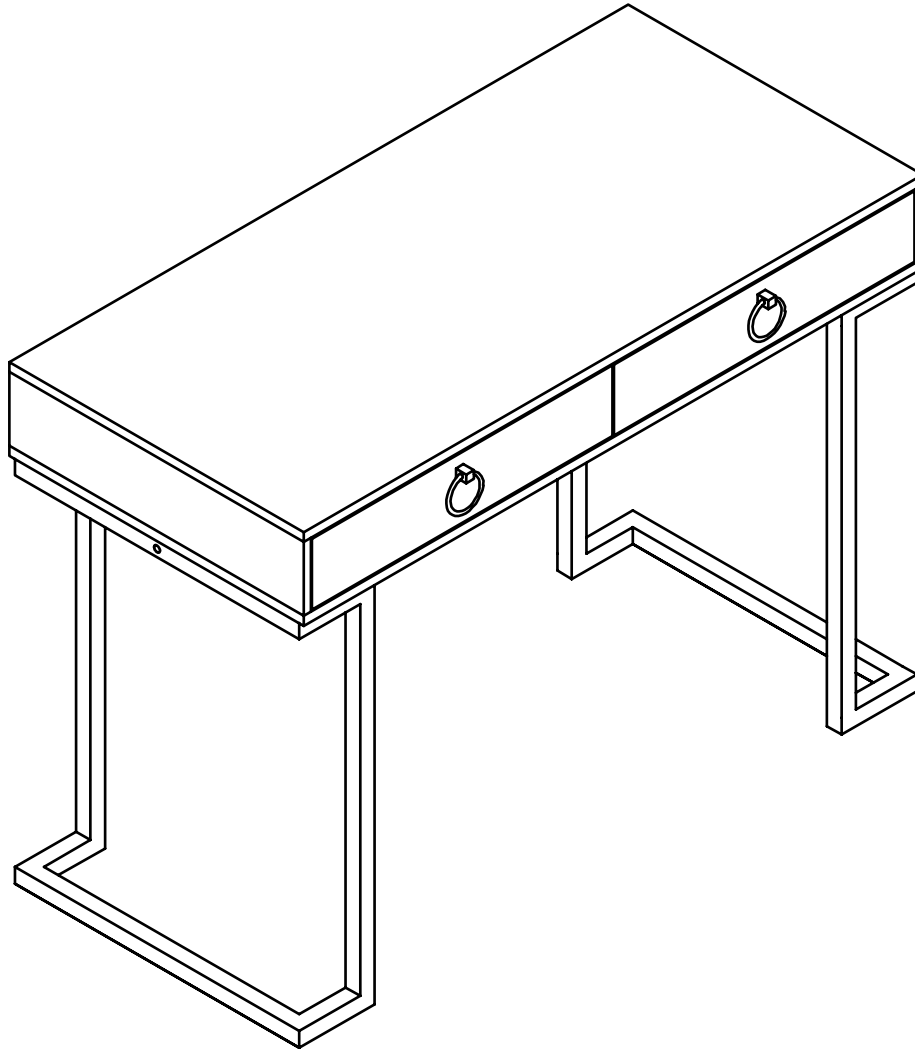


NATHAN JAMES



Product name

Contact

**Leighton
Desk**

Toll-free at 1-866-619-1004
Help@nathanjames.com
nathanjames.com/help

Ok, let's get rolling

This should be easy, just follow our simple instructions and you will be back to Netflix in no time.

Estimated time for assembly



35:00

What you need

- Some bubbly or your preferred relaxant
- Use the packaging carton as a working surface to prevent product damage during assembly
- Phillips head screwdriver

Weight Limitation



220

lbs table top

22

lbs per shelf

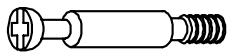
Toll-free at 1-866-619-1004
Help@nathanjames.com
nathanjames.com/help

What's included

Code	Description	Qty
A	Cam Bolt	22
B	Cam Lock	22
C	Wooden Dowel	12
D	Screw M4X35MM	20
E	Bolt M6X35MM	10
F	Bolt M6X50MM	2
G	Allen Key	1
H	Handles Hardware	2
I	Screw M4X16MM	2
J	Drawer stopper	2
K	Screw M3.5X12MM	2
L	Metal Hinge	2
M	Screw M4x12MM	2
N	Wall Anchor	2

The goods

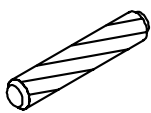
A



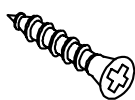
B



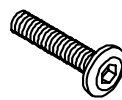
C



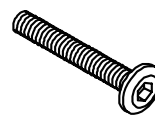
D



E



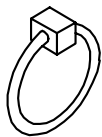
F



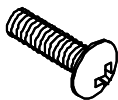
G



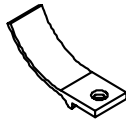
H



I



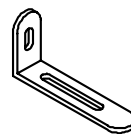
J



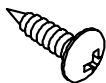
K



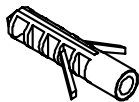
L



M



N



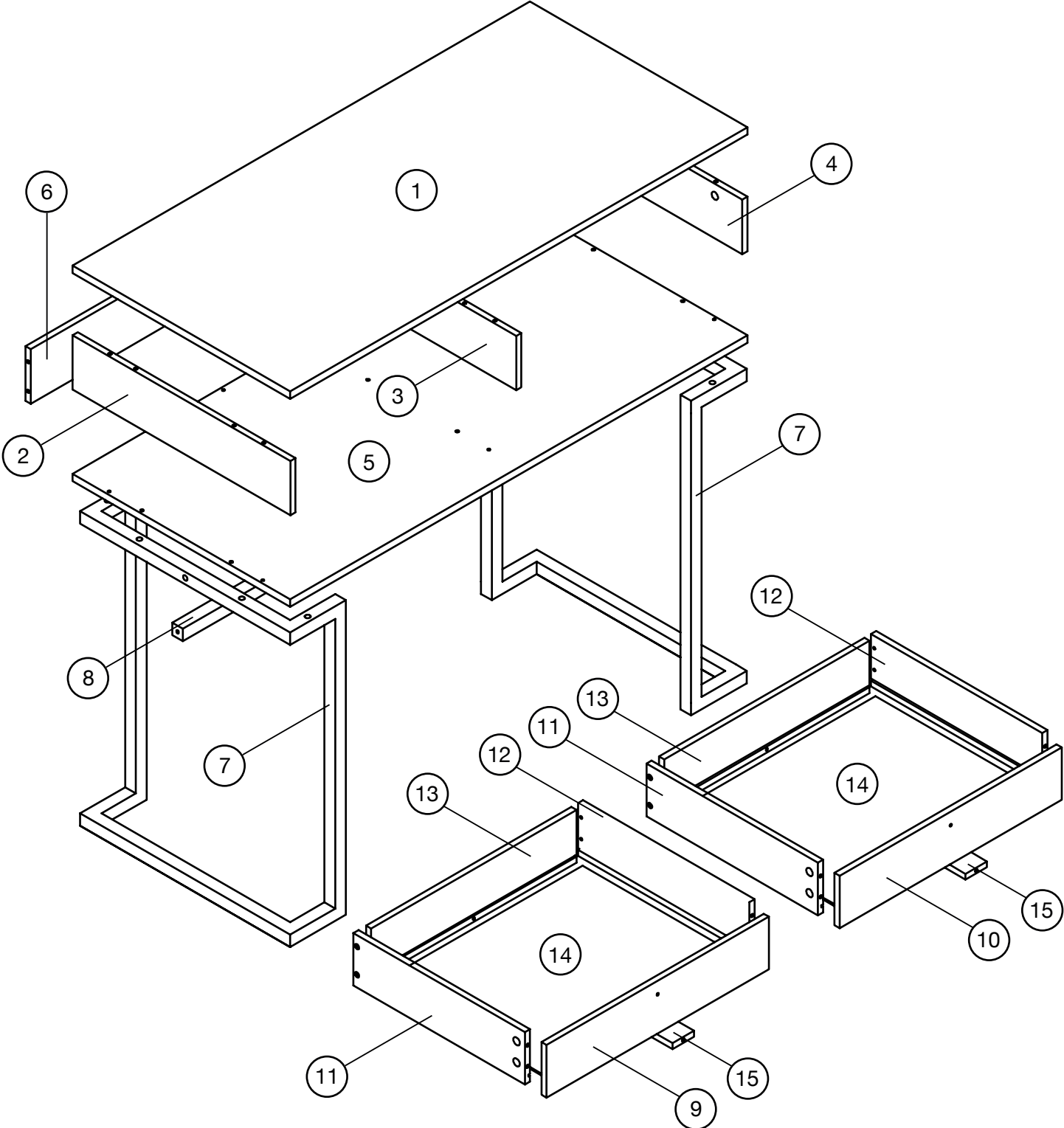
IMPORTANT:

1. Do not tighten bolts / screws completely until all bolts / screws are lined up and inserted into holes.
2. Do not over tighten screws and bolts to avoid stripping.
3. Please use hand tools to assemble this product. Do not use power tools.

What's included

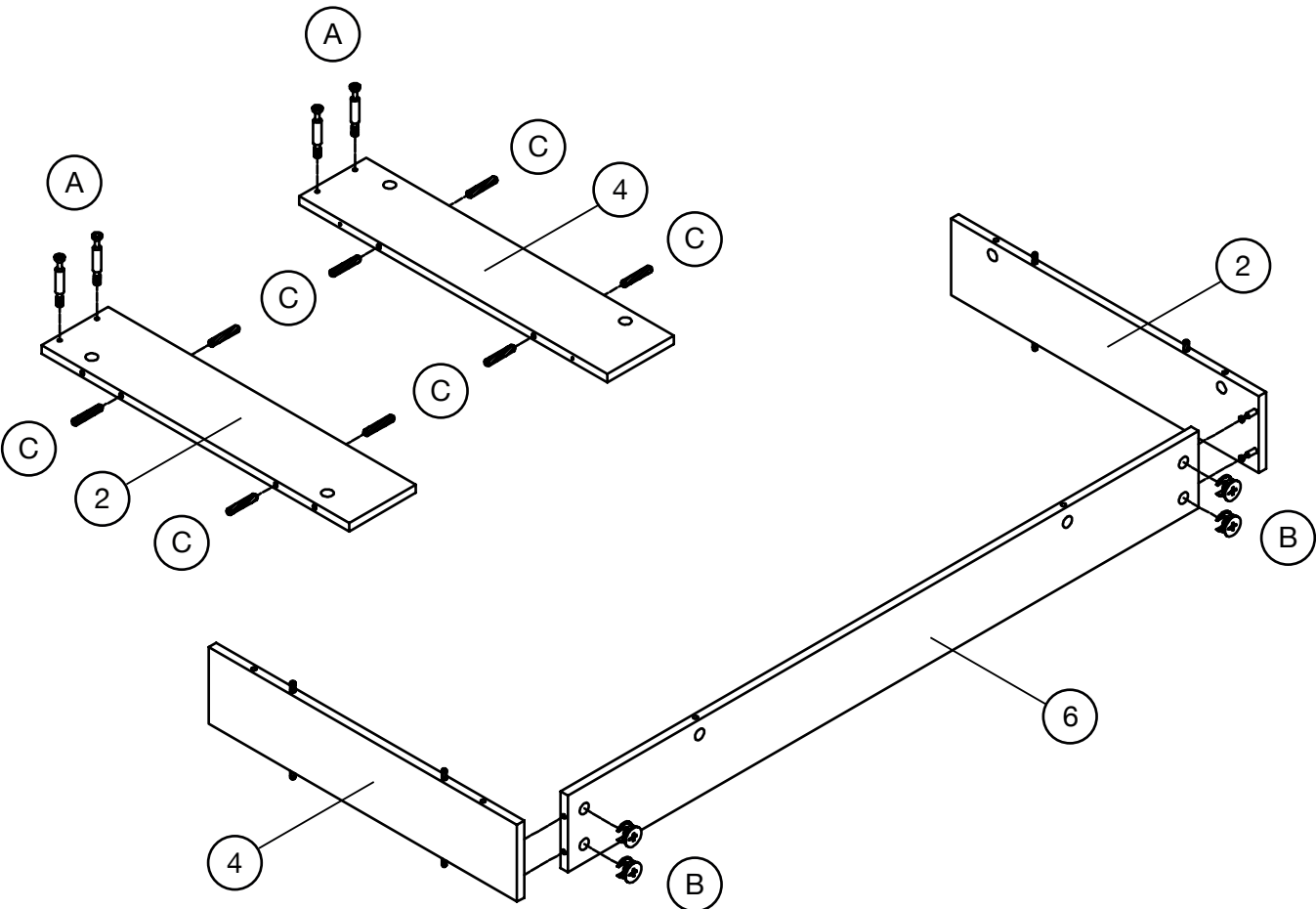
Code	Description	Qty	Code	Description	Qty
1	Desk Table Top	1	9	Left Front Drawer Panel	1
2	Left Side Panel	1	10	Right Front Drawer Panel	1
3	Middle Support Panel	1	11	Left Side Drawer Panels	2
4	Right Side Panel	1	12	Right Side Drawer Panels	2
5	Bottom Desk Panel	1	13	Back Drawer Panels	2
6	Back Panel	1	14	Bottom Drawer Panels	2
7	Desk Legs	2	15	Drawer Rail	2
8	Support Beam	1			

The goods



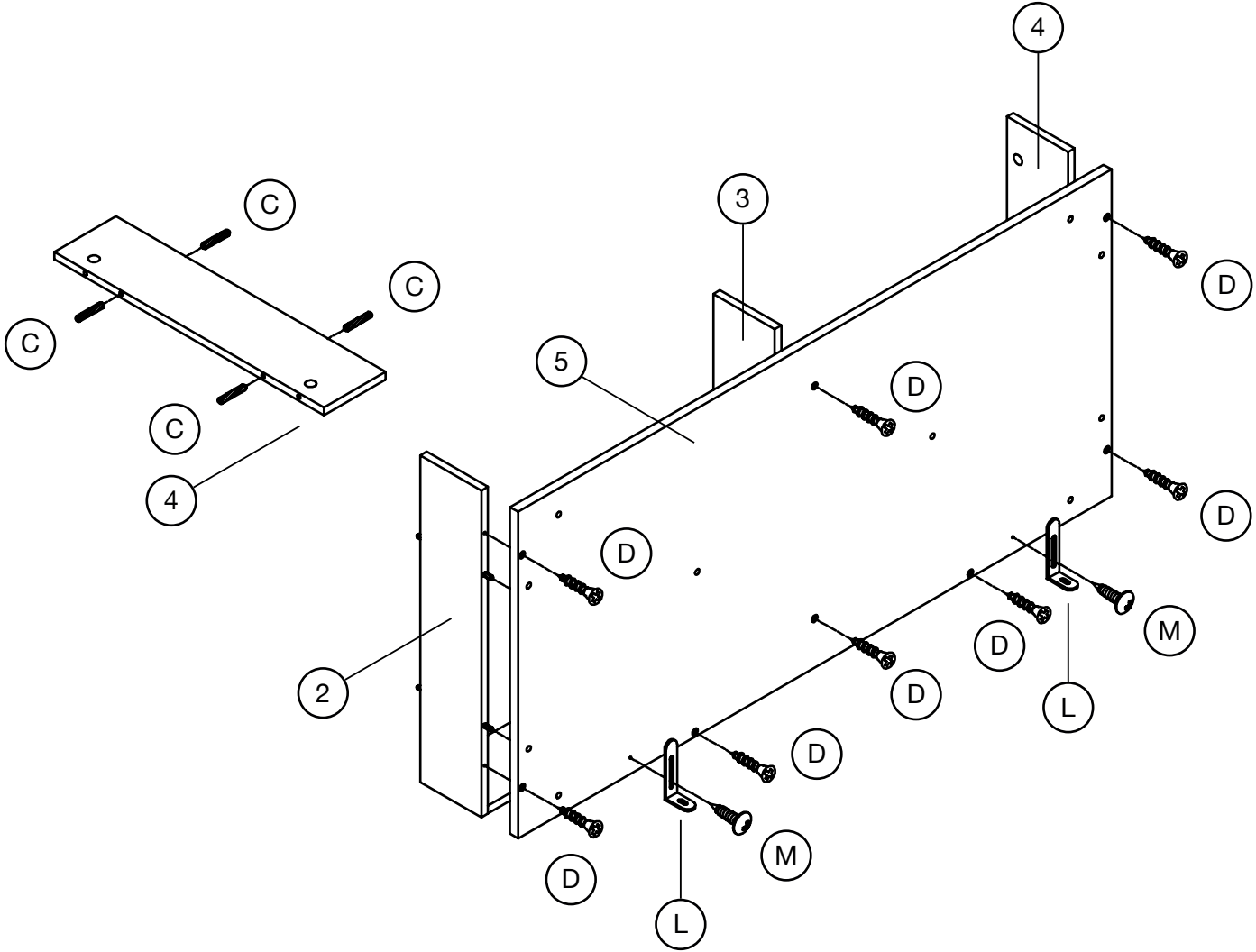
Step 1

Let's fire this thing up! Leaving you some time to watch a few episodes before the end of the day!



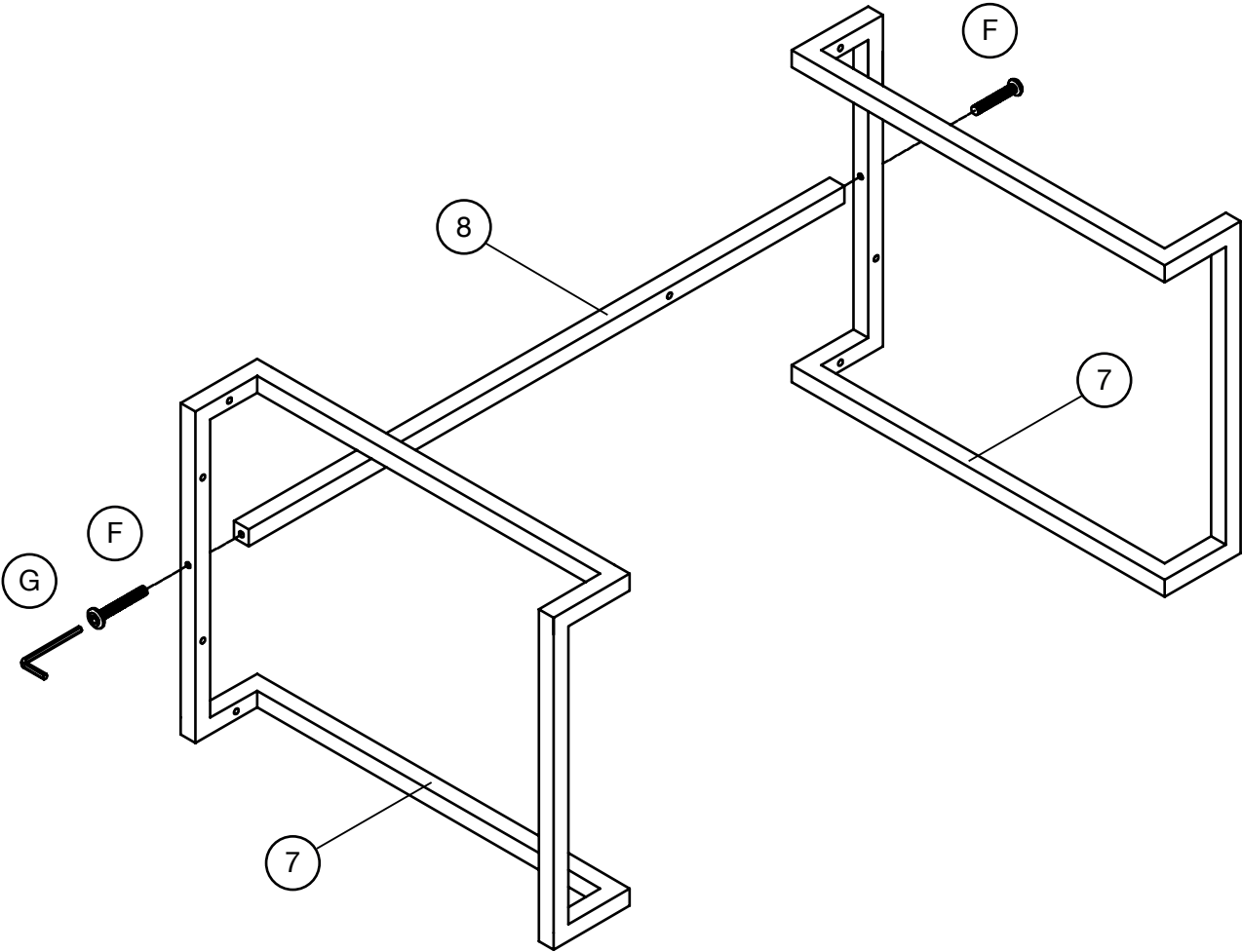
Step 2

Not too bad so far right? You're almost done with the top part of the desk!



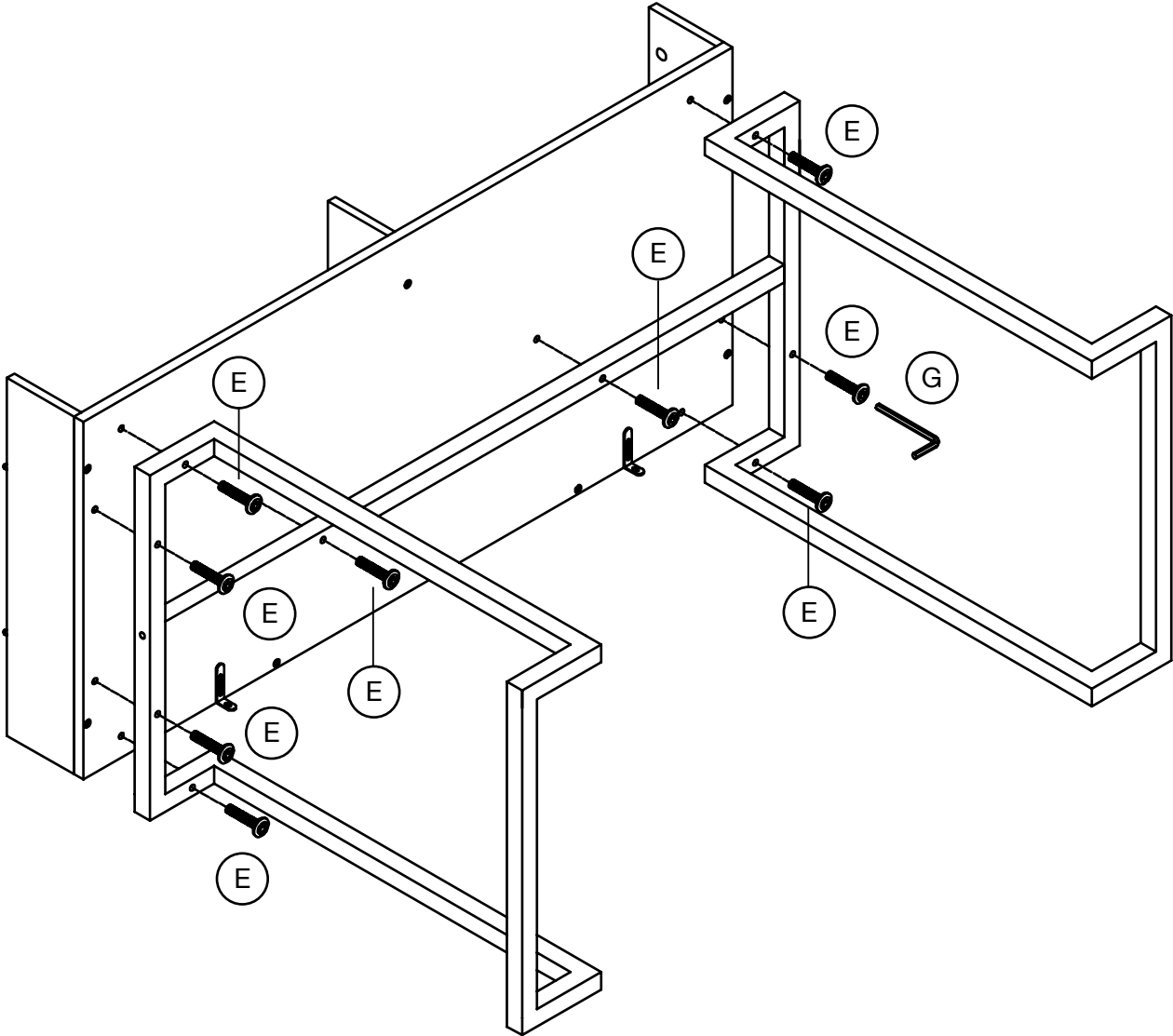
Step 3

Yup, it's as simple as it looks. Connect the support beam (8) to the desk legs.



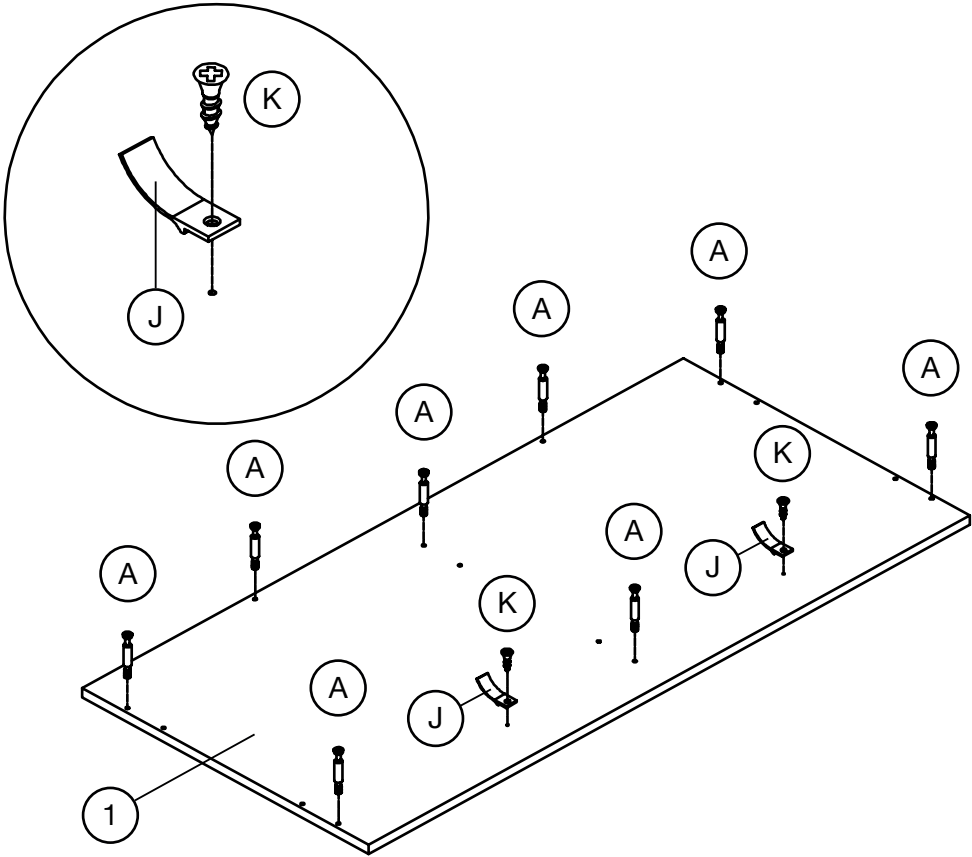
Step 4

Don't forget to lay down a blanket or use the carton as a working surface to avoid scratching your desk. P.s you're almost done, time to order some pizza?



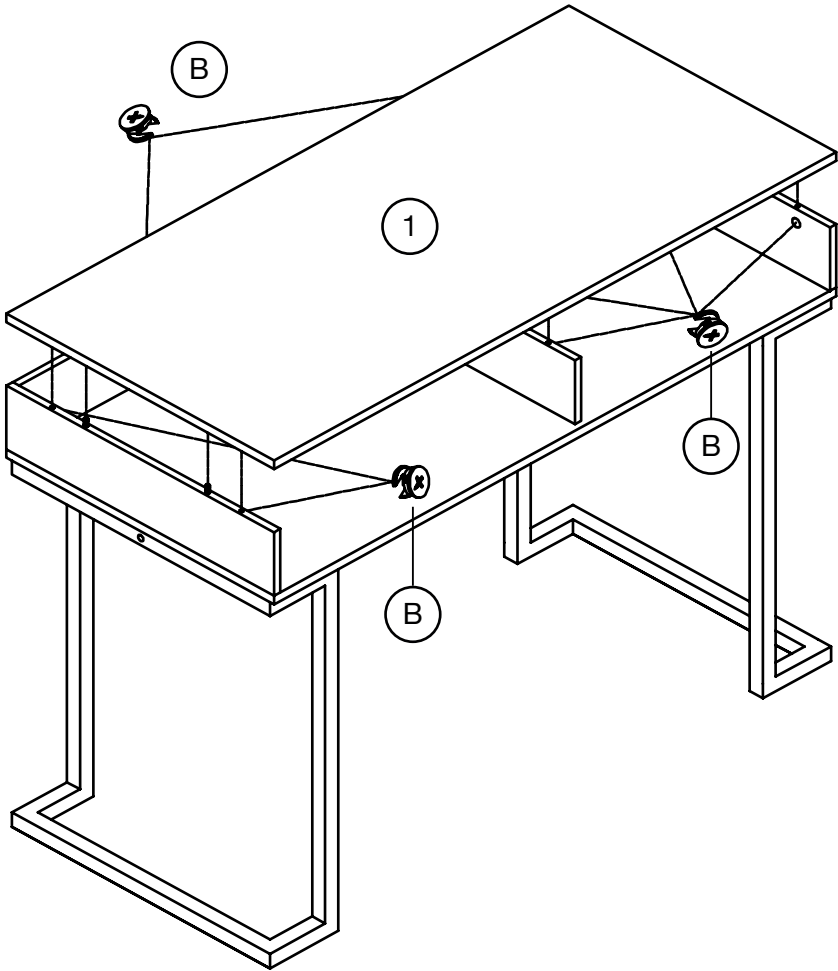
Step 5

Secure the drawer stopper.



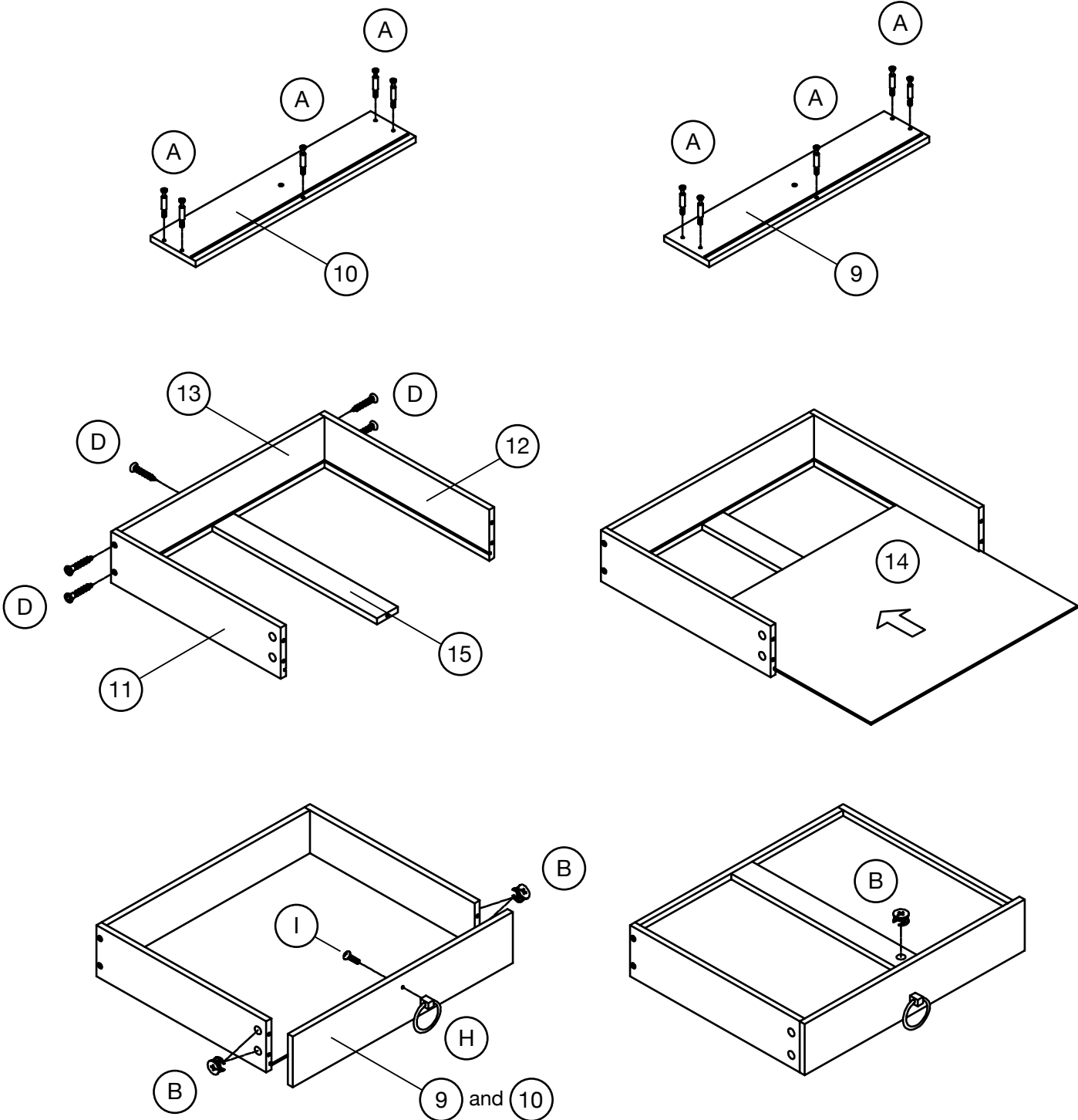
Step 6

Pop, lock but don't drop it!



Step 7

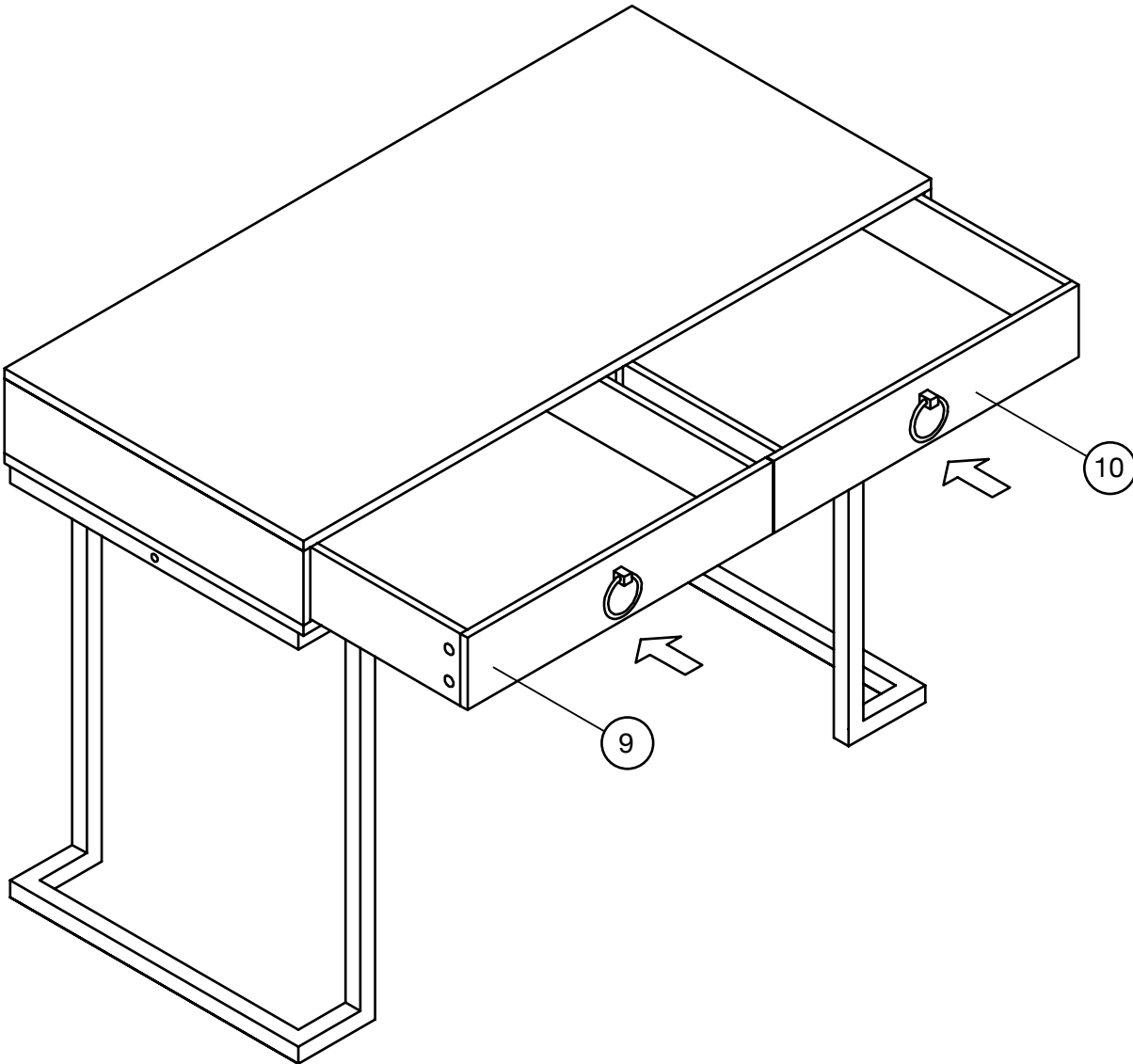
Yes, we'll admit drawers are our least favorite part too! Good news, it's almost over and you're within minutes of pressing play on Netflix!



x2

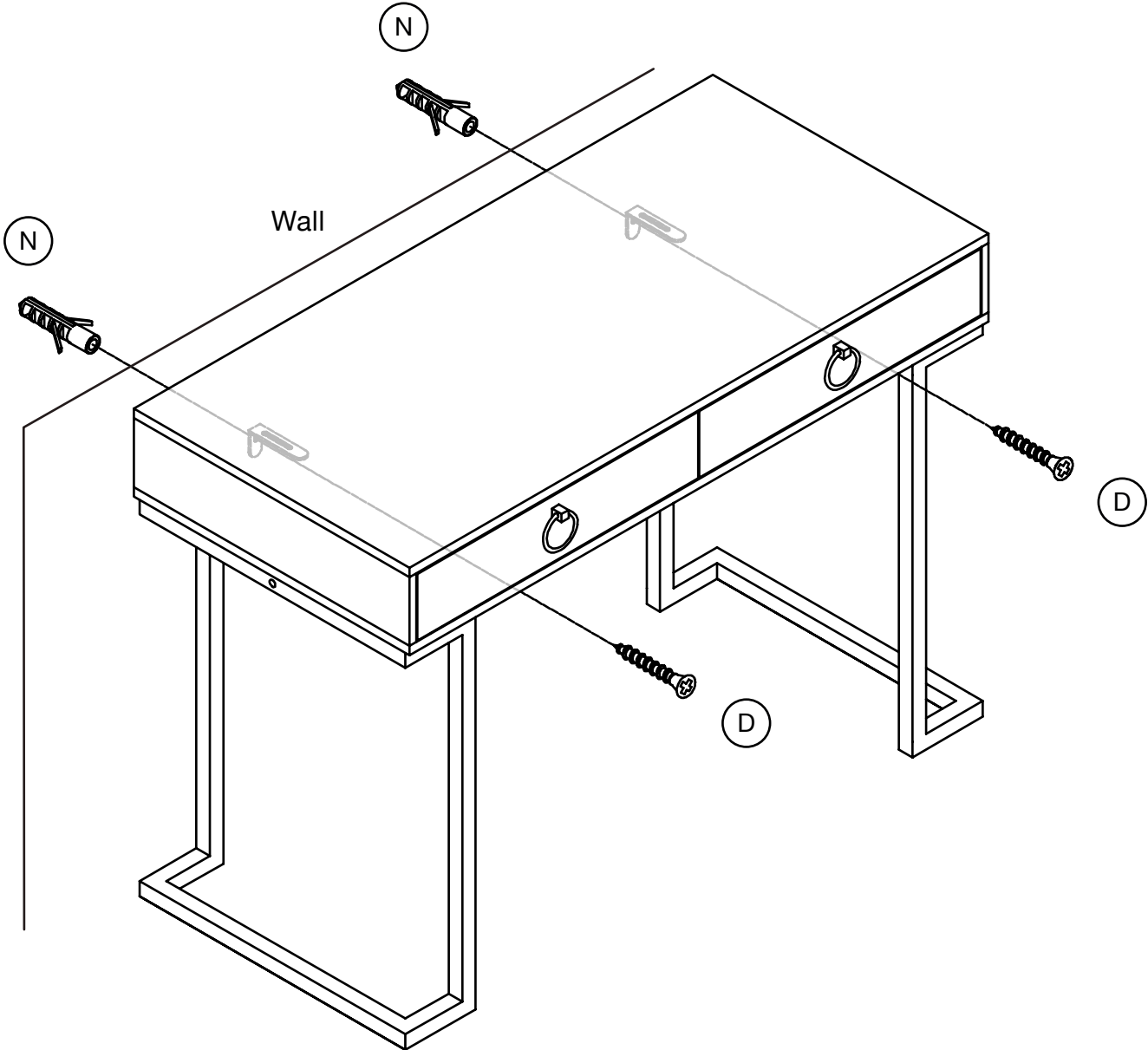
Step 8

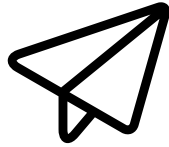
Something tells me you knew
this step was coming...



Step 9

For safety, we recommend securing desk against the wall to avoid any accidents.





No heartburn, when we handle the return

Give us a call **1-866-619-1004** or shoot us a message at **help@nathanjames.com** we will issue you a free replacement with **zero hassle**.

Our way



Give us a call



Replacement



You

Their way



Re-package item



Schedule pick up



Track package



Replacement



You

We really don't want you to go through the hassle of re-packaging your item and sending it back, because let's be honest...nobody has time for that.

Safety first, fun later

We want your Leighton Desk to last as long as possible, so we recommend that you tighten the screws 2 weeks after assembly and for added safety check the tightness of all screws every 2 months.

For proper care and treatment of fabric & metal please check our website at nathanjames.com/products

Safety use of this product starts with you.

Use this Leighton Desk responsibly with the primary concern for your safety. Follow assembly instructions carefully and inspect product upon receipt and each use.




Nathan James and its parent companies cannot be held legally responsible for any injuries or death resulted from failure to follow instructions or improper use of this product.

Proper Use

- DO NOT** use for commercial purposes
- DO NOT** use as a step stool or stand on table
- DO NOT** put hot serving liquid directly on the table top
- DO NOT** leave spilled liquid on the table top
- DO NOT** use table if damaged
- DO NOT** exceed weight limit
- DO NOT** make temporary repairs
- DO NOT** use outdoor

We are only in business if you're happy

For starters,
thanks for being you.

 Toll-free at 1-866-619-1004
 Help@nathanjames.com
 nathanjames.com/help

We do our best to ensure your furniture arrives without any problems, but occasionally mistakes happen - as humans we are imperfect beings. In the event that a part is damaged or missing, we will be more than happy to provide you with replacement part(s) for free.

Warranty

Manufacturer-guaranteed lifetime warranty.
Please use your phone to scan the QR code to register your product or visit <https://goo.gl/i9dk3q>



Did we do alright? Please spread the love!

If you are happy with your product, tell your friends and family about us or even better leave us a review online. Spreading the word gives us the opportunity to make more people happy and keep our prices low for your next purchase.

Brooklyn Burdon

- Founder, Nathan James