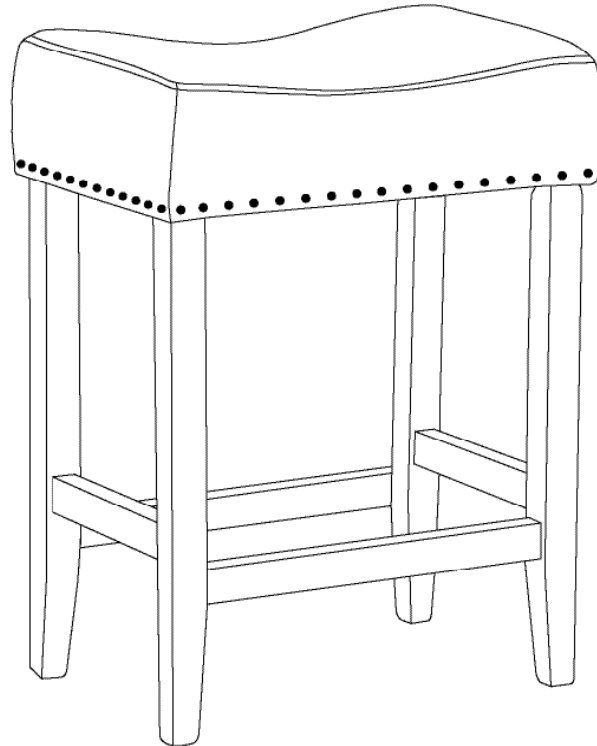


NATHAN JAMES



Product name

Contact

Hylie
Bar Stool

Toll-free at 1-866-619-1004
Help@nathanjames.com
Nathanjames.com/help

Ok, let's get rolling

This should be easy, just follow our simple instructions and you will be back to Netflix in no time.

Estimated time for assembly



15:00

What you need

- Some of your favourite bubbly or your preferred relaxant
- Use the packaging carton as a working surface to prevent product damage during assembly
- Phillips head screwdriver

Weight Limitation



275
lbs

Toll-free at 1-866-619-1004
Help@nathanjames.com
Nathanjames.com/help

What's included

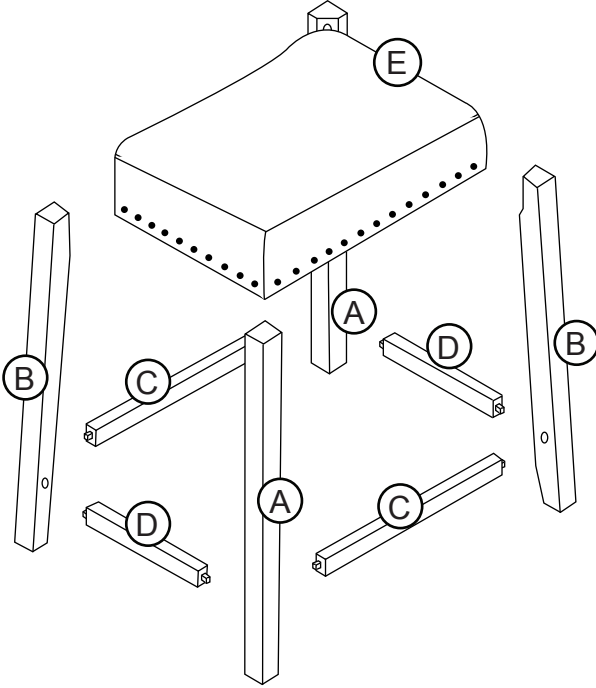
Code	Description	Qty
A	Left Front / Right Back Legs with Floor Protector	2
B	Right Front / Left Back Legs with Floor Protector	2
C	Long Footrest	2
D	Short Footrest	2
E	Seat Cushion	1
1	¼ x 2 ¾ inch Hex Button Head Bolt	8
2	¼ inch Lock Washer	8
3	¼ inch Flat Washer	8
4	¼ x 1 ¾ inch Phillips Flat-Head Screw	8
5	Allen key	1

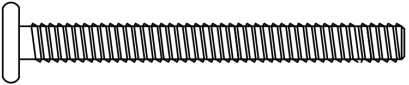


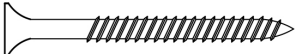



Let's assemble it together!

Grab your phone and scan the QR code to follow along with me or watch here <https://goo.gl/xuSgij>

The goods

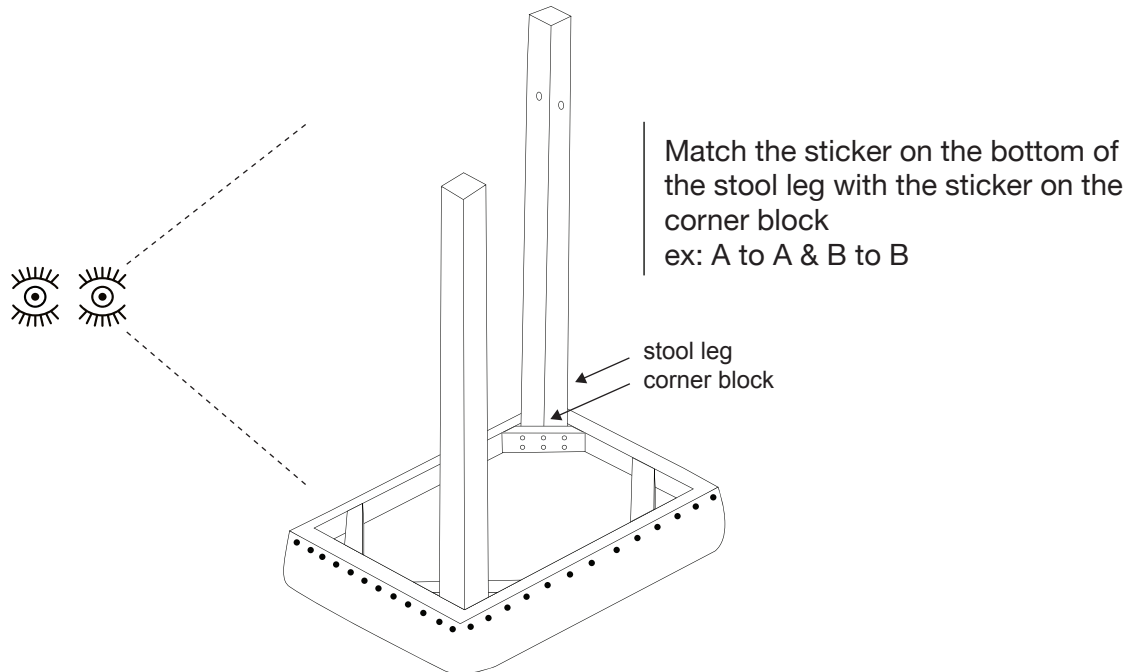


- ① 
- ② 
- ③ 
- ④ 
- ⑤ 

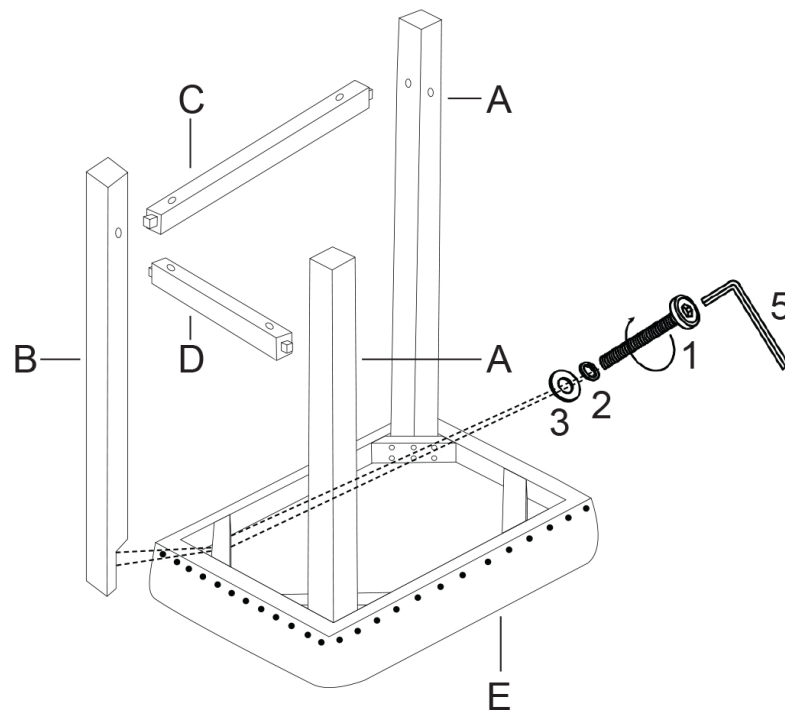
Step 1

Please take a moment to match leg(s) stickers.

*Trust me!

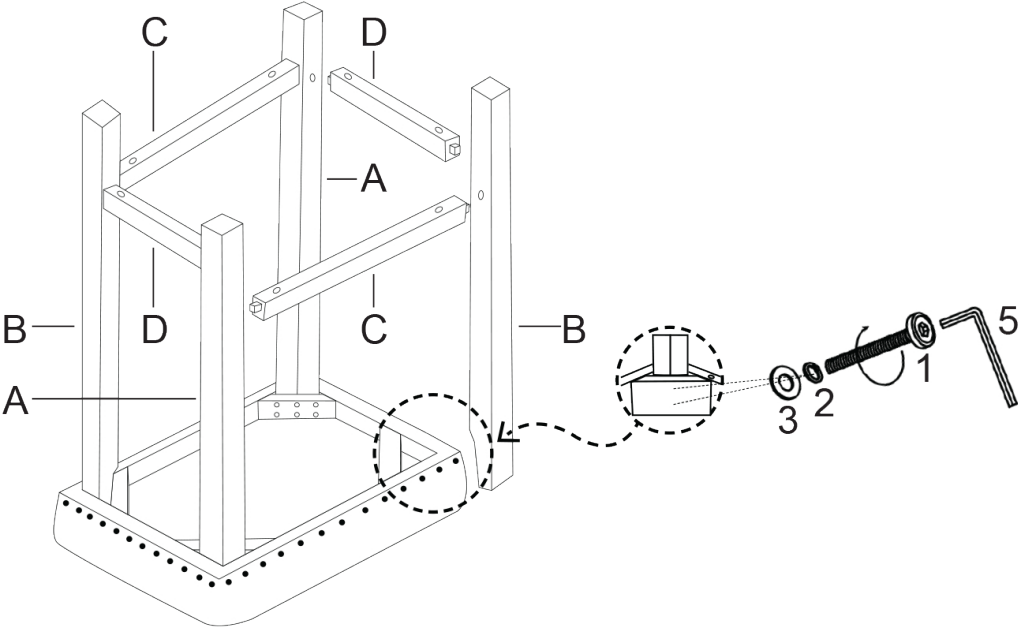


Step 2



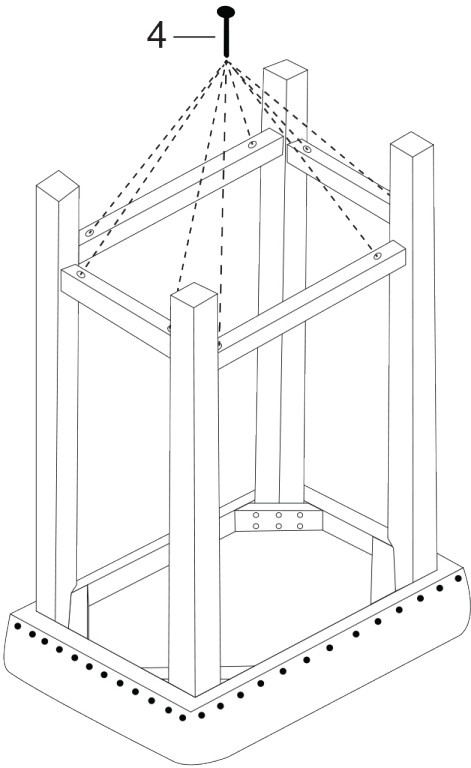
Step 3

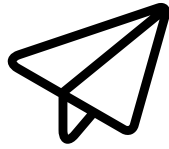
Time to screw on the fourth and final leg. Almost there!



Step 4

Last but not least, tighten the foot rests.





No heartburn, when we handle the return

Give us a call **1-866-619-1004** or shoot us
a message at **help@nathanjames.com**
we will issue you a free replacement
with **zero hassle.**

Our way



Give us a call

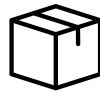


Replacement



You

Their way



Re-package item



Schedule pick up



Track package



Replacement



You

We really don't want you to go through the hassle of re-packaging your item and sending it back, because let's be honest...nobody has time for that.

Safety first, fun later

We want your bar stool to last as long as possible, so we recommend that you tighten the screws 2 weeks after assembly and for added safety check the tightness of all legs every 2 months.

For proper care and treatment of fabric and wood please check our website at NathanJames.com/products.

Safety use of this product starts with you.

Use this bar stool responsibly with the primary concern for your safety. Follow assembly instructions carefully and inspect product upon receipt and each use.




Nathan James and its parent companies cannot be held legally responsible for any injuries or death resulted from failure to follow instructions or improper use of this product.

Proper Use

- DO NOT** use for commercial purposes
- DO NOT** place on uneven floor or surface
- DO NOT** use as a step-stool or stand on stool
- DO NOT** put hot serving liquid directly on the stool
- DO NOT** leave spilled liquid on the stool
- DO NOT** use if stool is damaged or broken
- DO NOT** make temporary repairs
- DO NOT** use outdoors

We are only in business if you're happy

For starters,
thanks for being you.

 Toll-free at 1-866-619-1004
 Help@nathanjames.com
 NathanJames.com/help

We do our best to ensure your furniture arrives without any problems, but occasionally mistakes happen - as humans we are imperfect beings. In the event that a part is damaged or missing, we will be more than happy to provide you with replacement part(s) for free.

Warranty

This product comes with a lifetime warranty from the date of purchase. Please use your phone to scan the QR code to register your product or visit <https://goo.gl/i9dk3q>



Did we do alright? Please spread the love!

If you are happy with your product, tell your friends and family about us or even better leave us a review online. Spreading the word gives us the opportunity to make more people happy and keep our prices low for your next purchase.

Brooklyn Burdon

- Founder, Nathan James