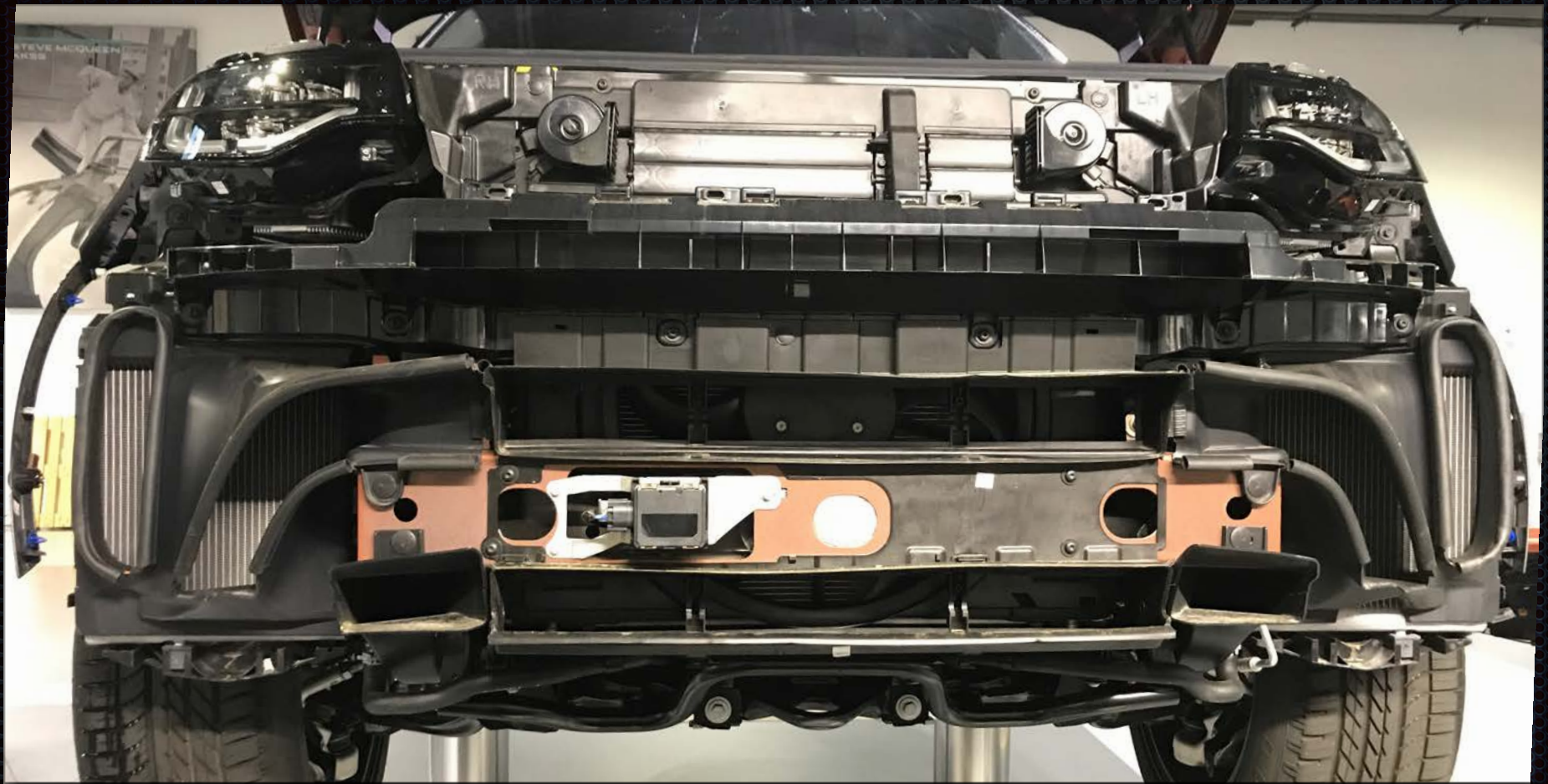


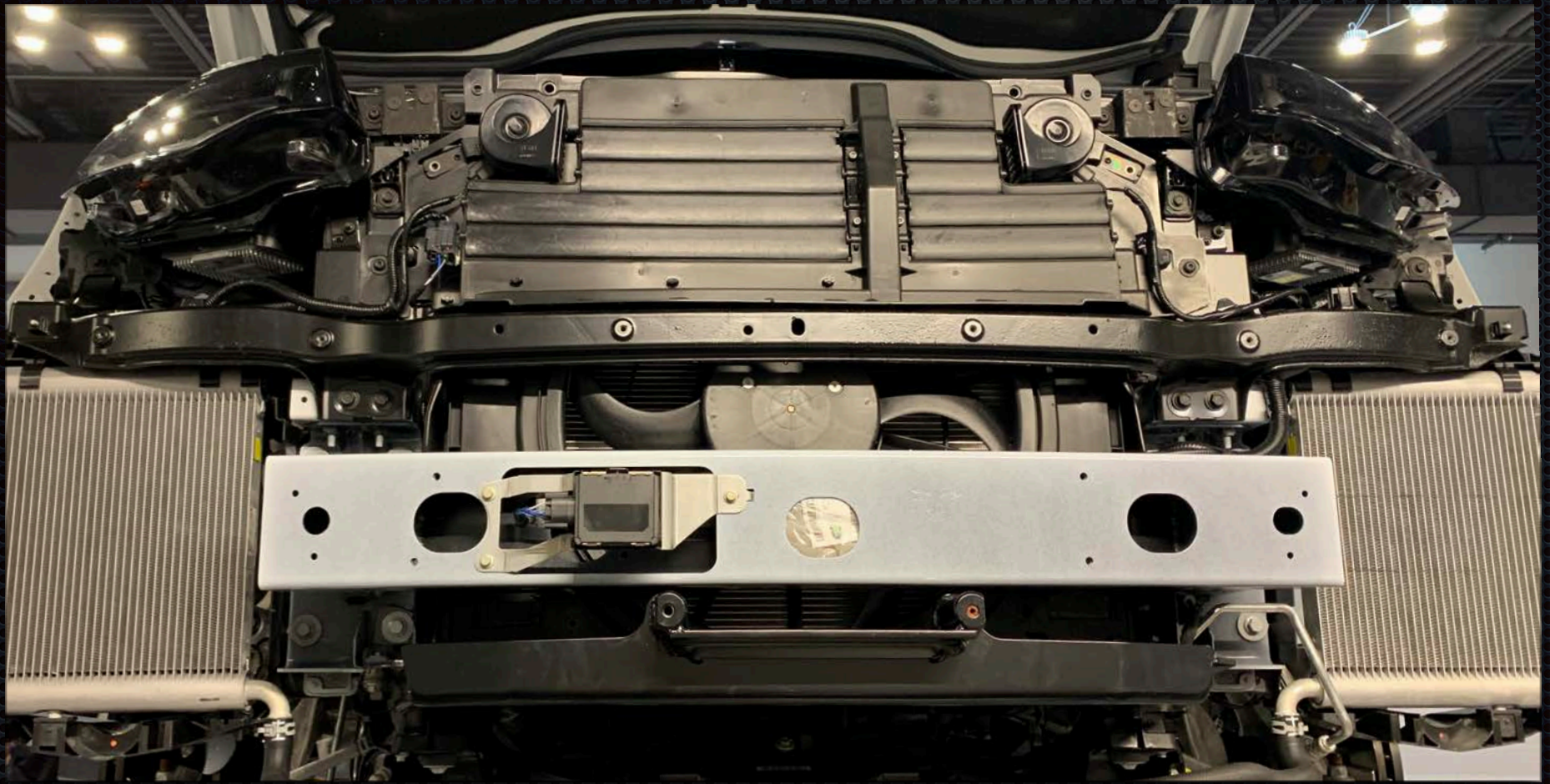
Proud Rhino D5

Hidden winch package installation





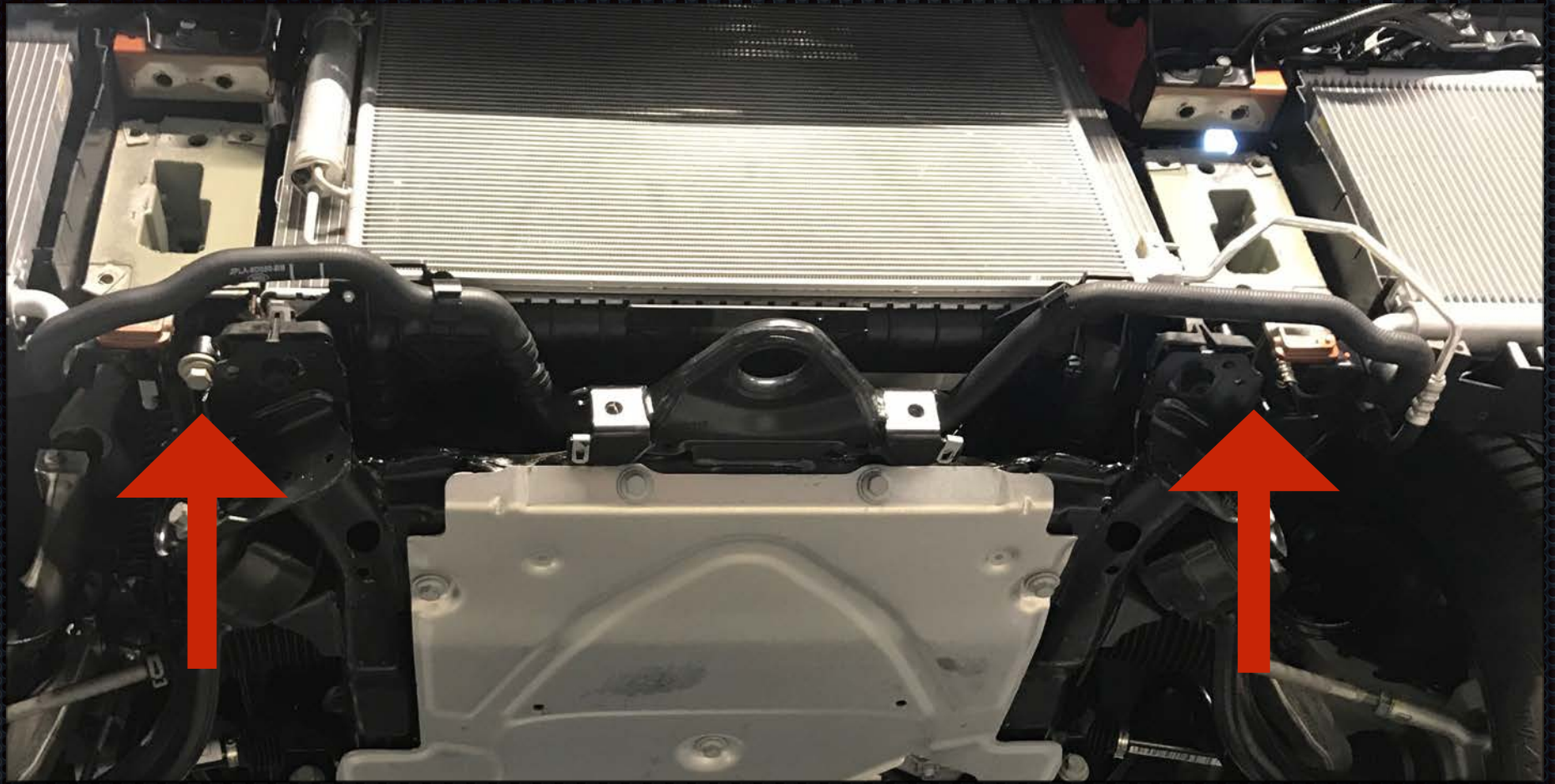
Remove front bumper cover. Please refer to Topix for detailed instructions.



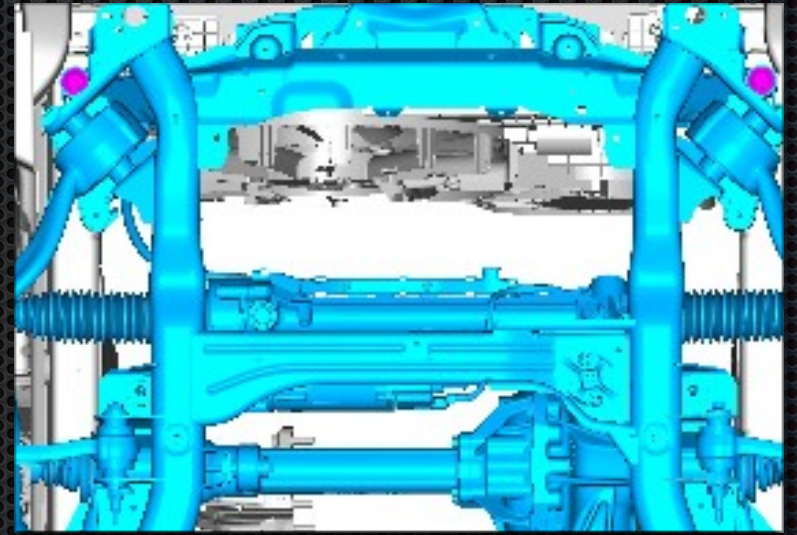
Remove intake vents and plastic deflectors. Please refer to Topix for detailed instructions.



Remove bumper core support. Please refer to Topix for detailed instructions.

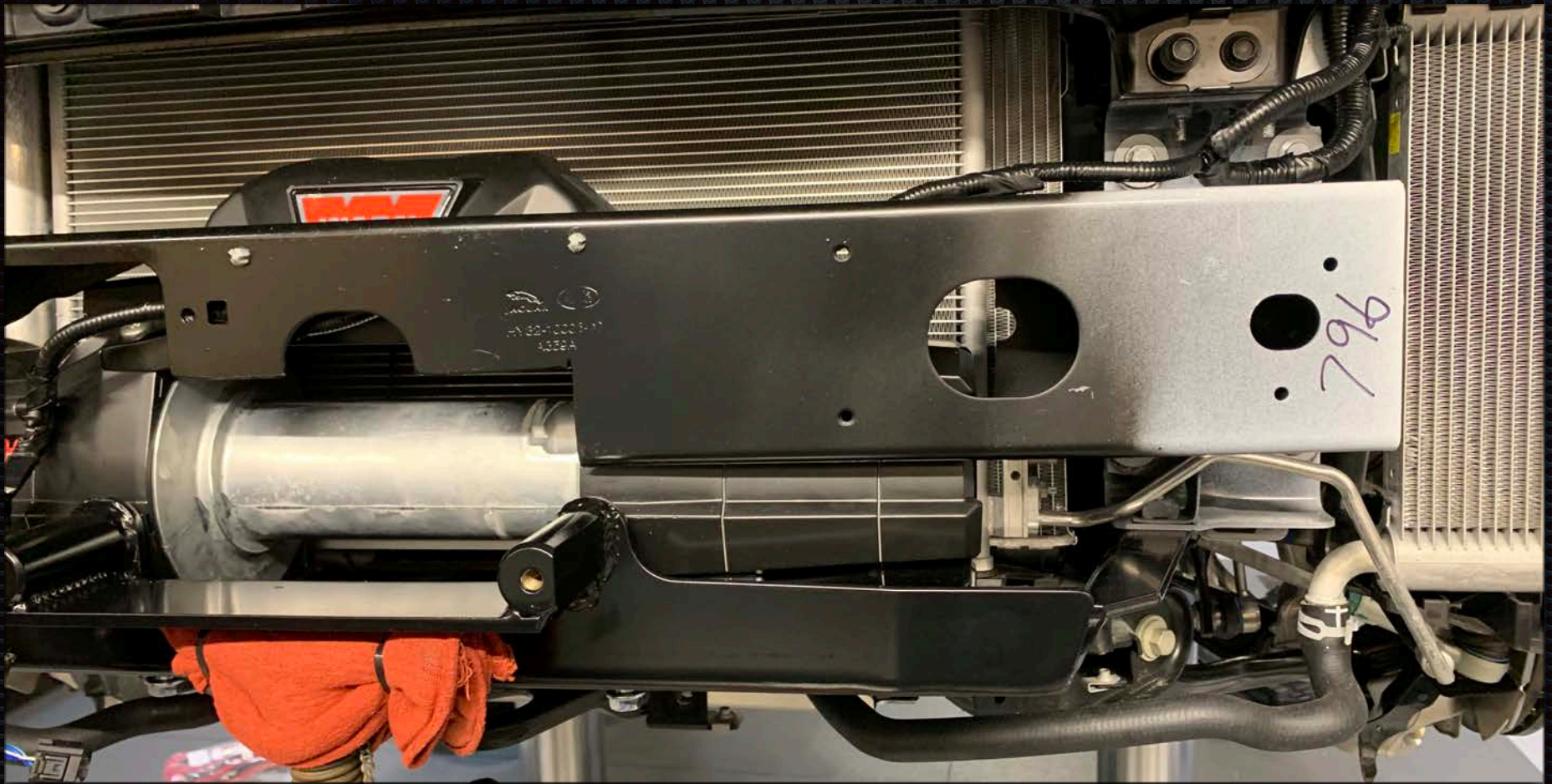


Install winch tray using the two front lower subframe bolts.
Tighten to 100nm / 240 deg.

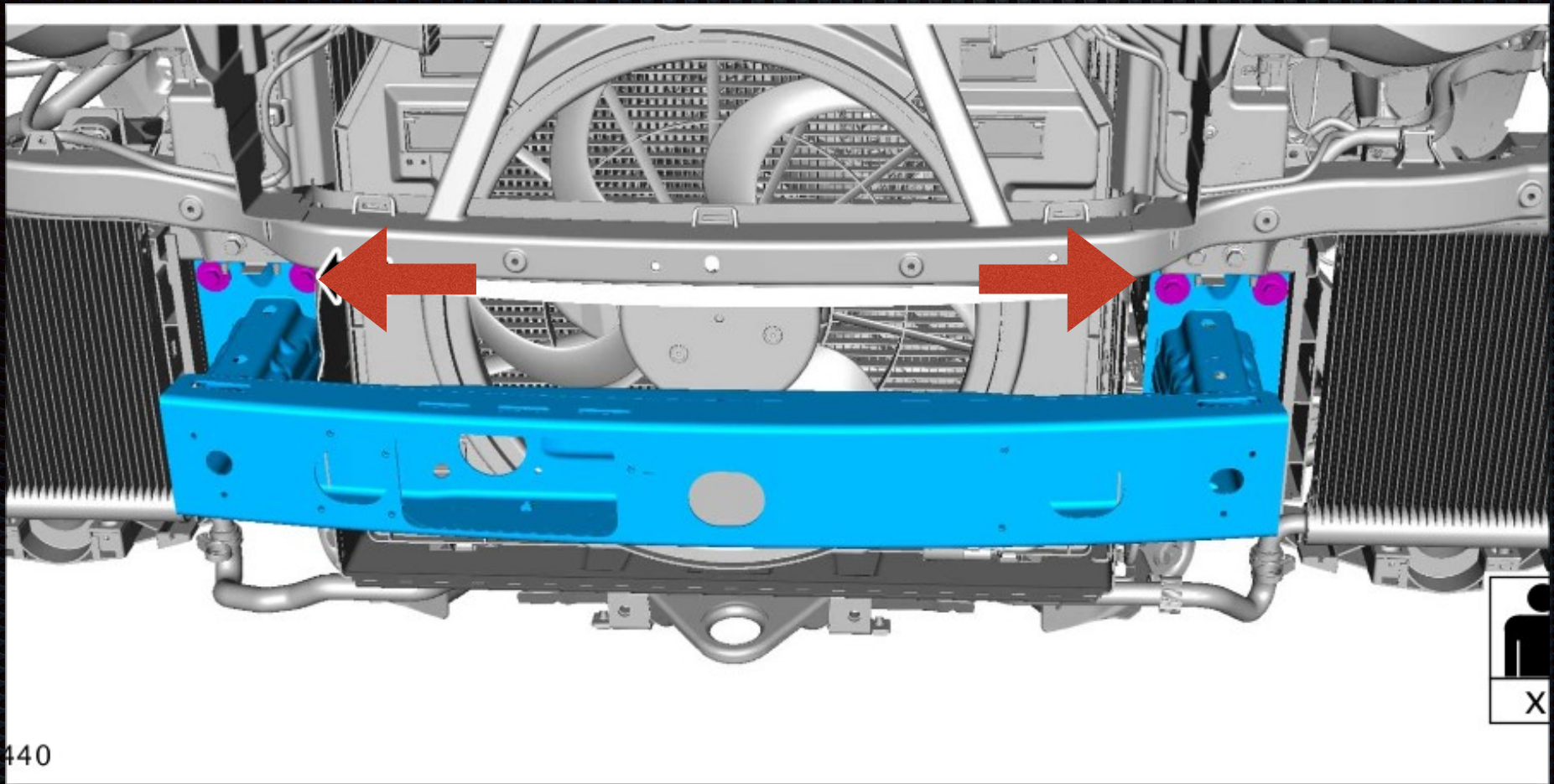




Set winch in tray.



Install modified front bumper core support. Leaving out two upper inner mounting bolts. Tighten core support bolts to 55nm

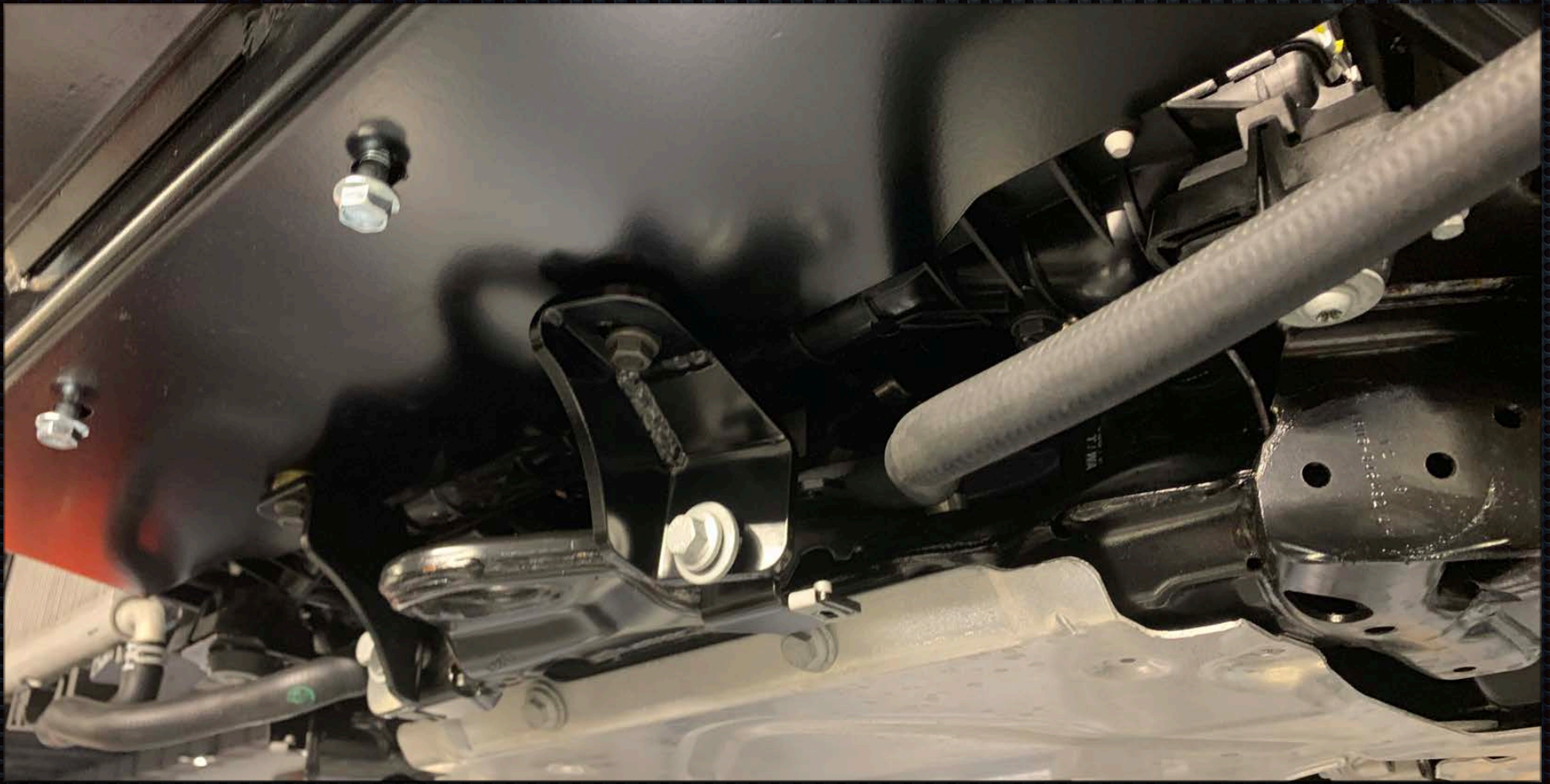


440

Do not install the two upper inner bolts. They will be used later with the Abar mounting brackets.

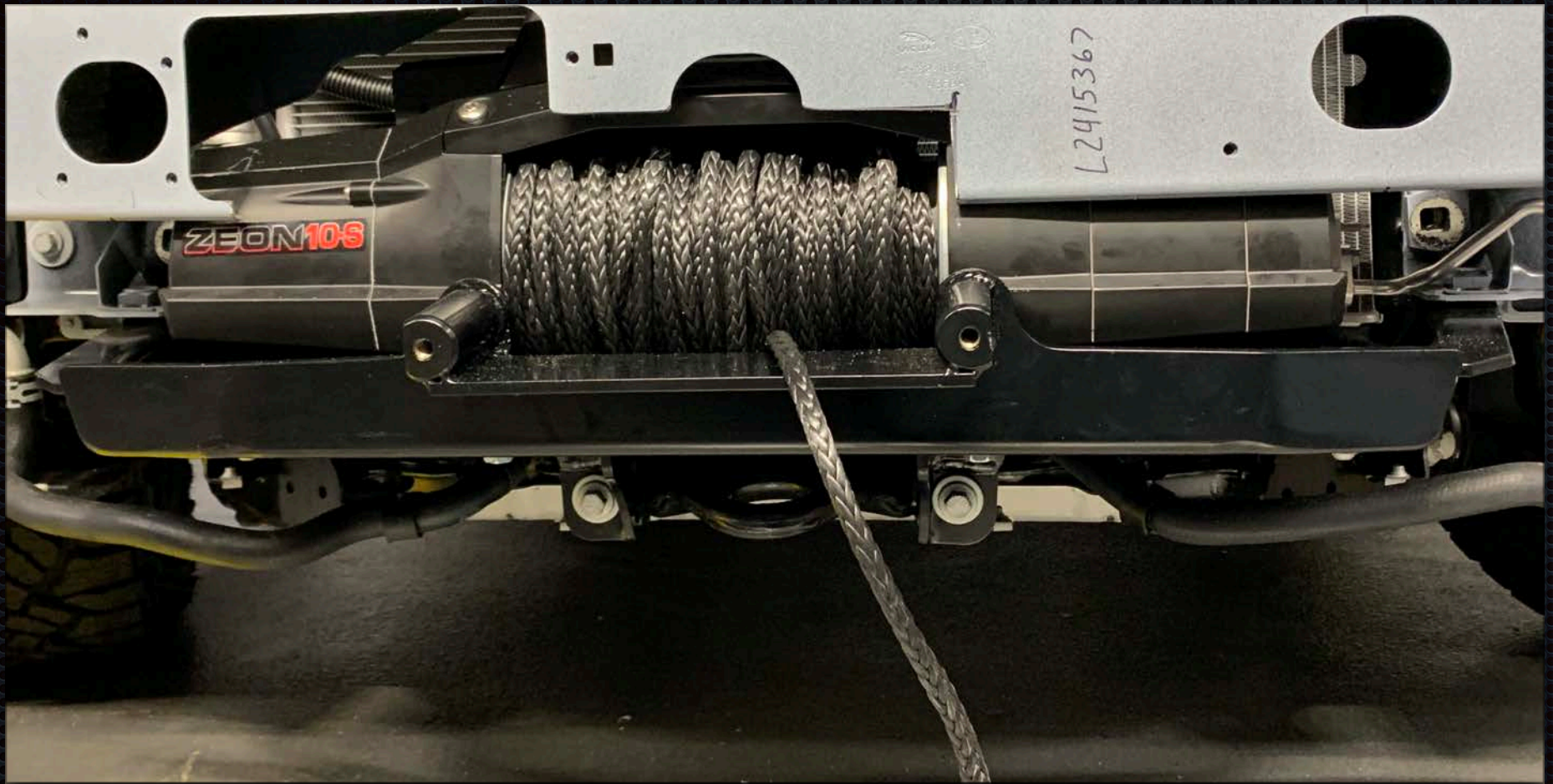


Install front winch tray bolts to front bumper core support and tighten to 100nm

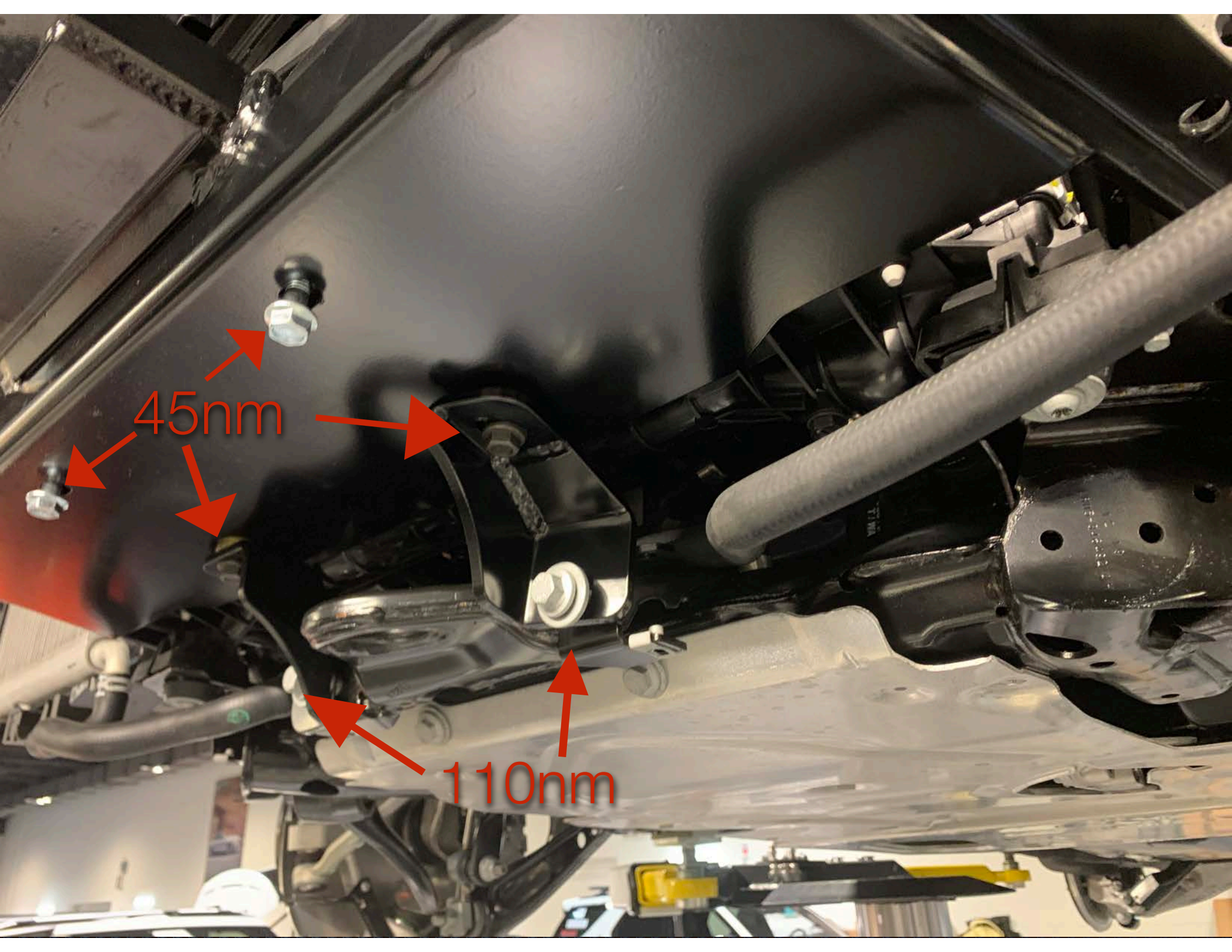


Loosely position the lower winch tray brackets to a-line with the winch mounting points and the factory recovery hook bolt holes.





When everything is a-lined tighten the four winch mounting bolts to 45nm and the two lower winch tray brackets that mount to the factory recovery hook to 110nm



45nm

110nm

Run the winch power cables to the engine bay negative and positive posts



Attach the synthetic cable to the drum of the winch. Using the winch controller wind the cable on to the drum evenly and leave 24 inches of cable hanging over the end of the winch tray





Your winch set up should look like this



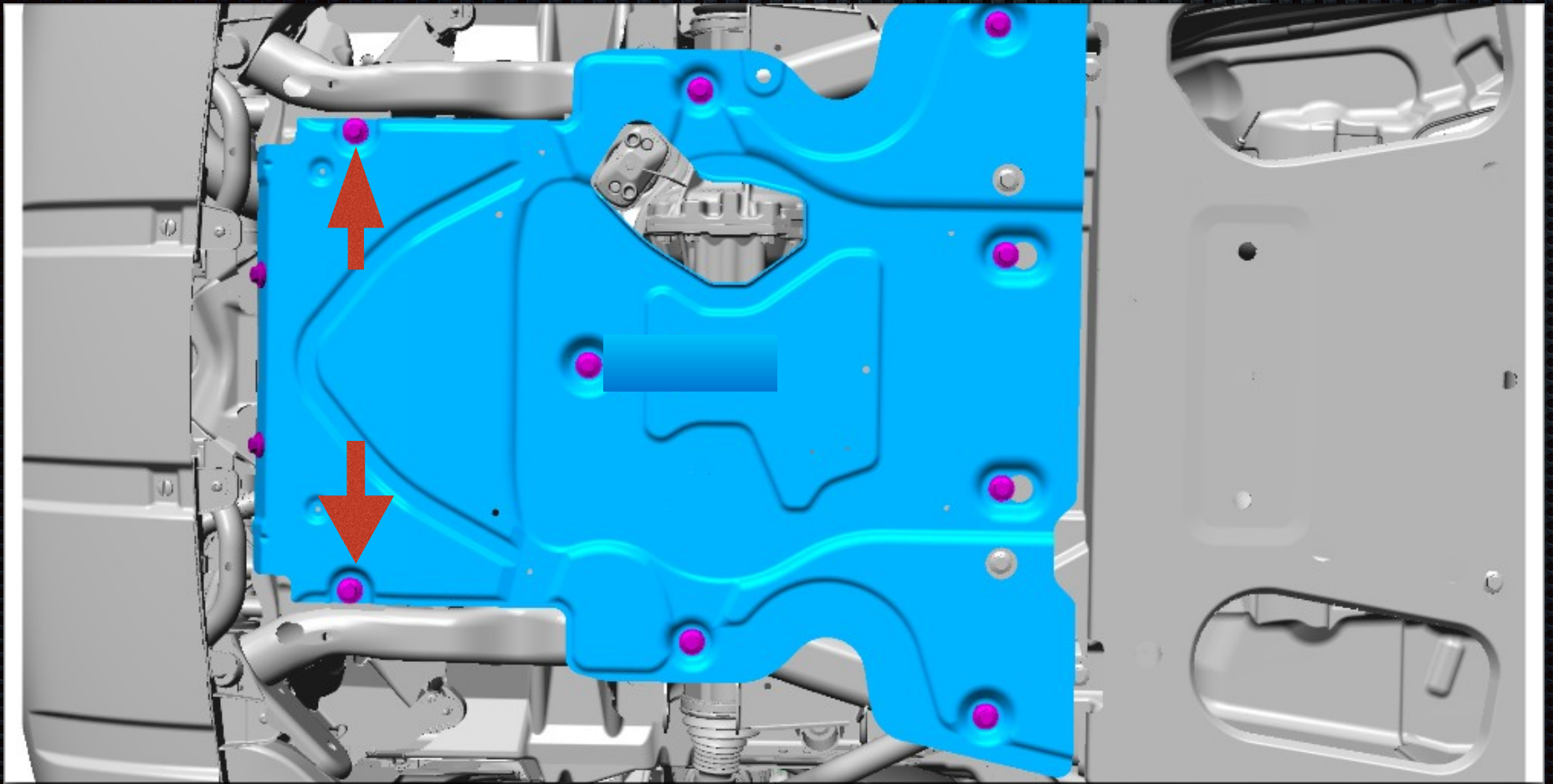
Slide the front bumper cover back on and align the winch tray to the center hole in the bumper cover. Reinstall the front bumper cover.



Bash plate Installation



Loosely sandwich the fairlead and bash plates two upper mounting points to the winch tray.



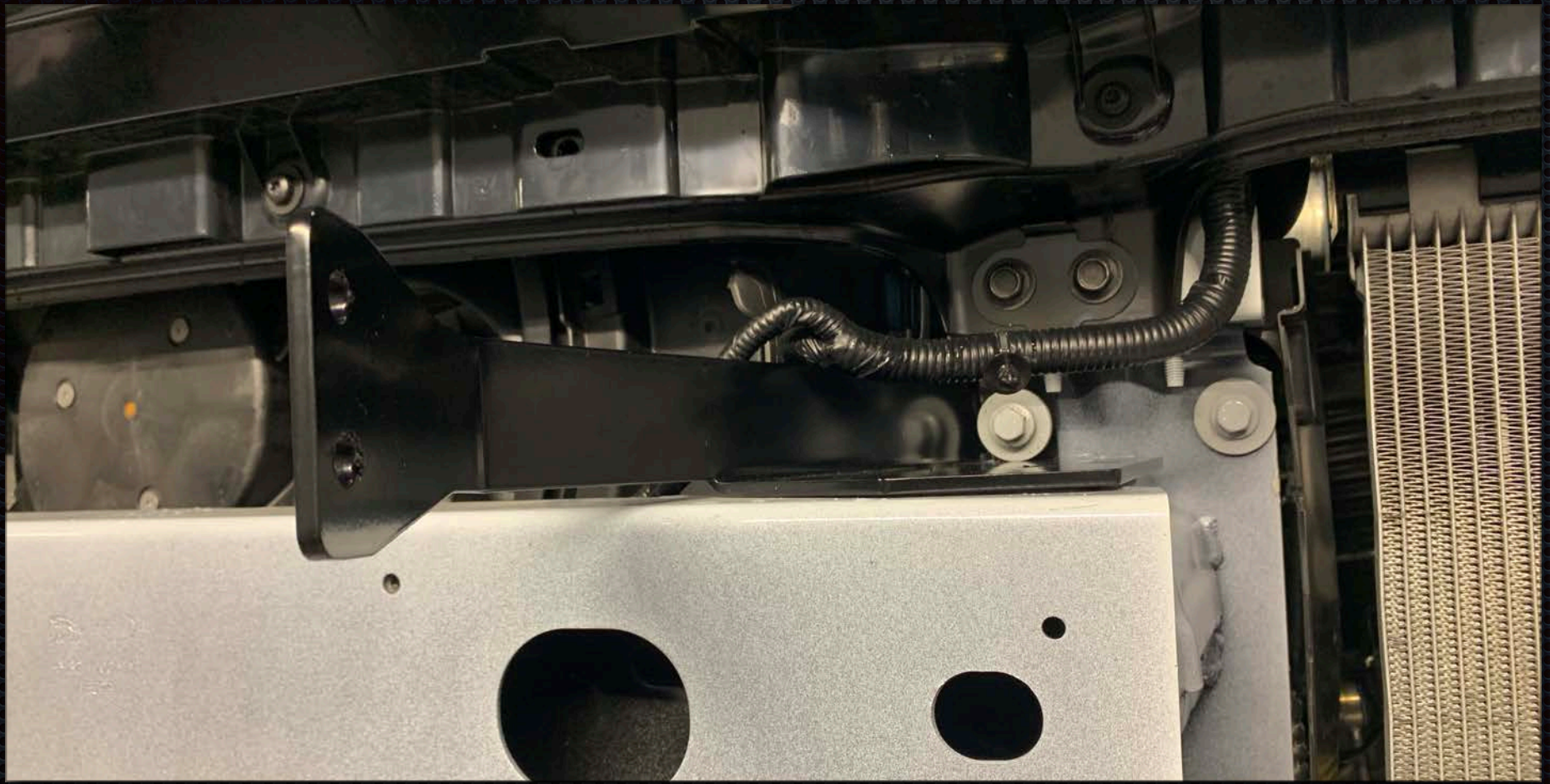
Reuse these two engine under shield bolts to mount the lower section of the bash plate.



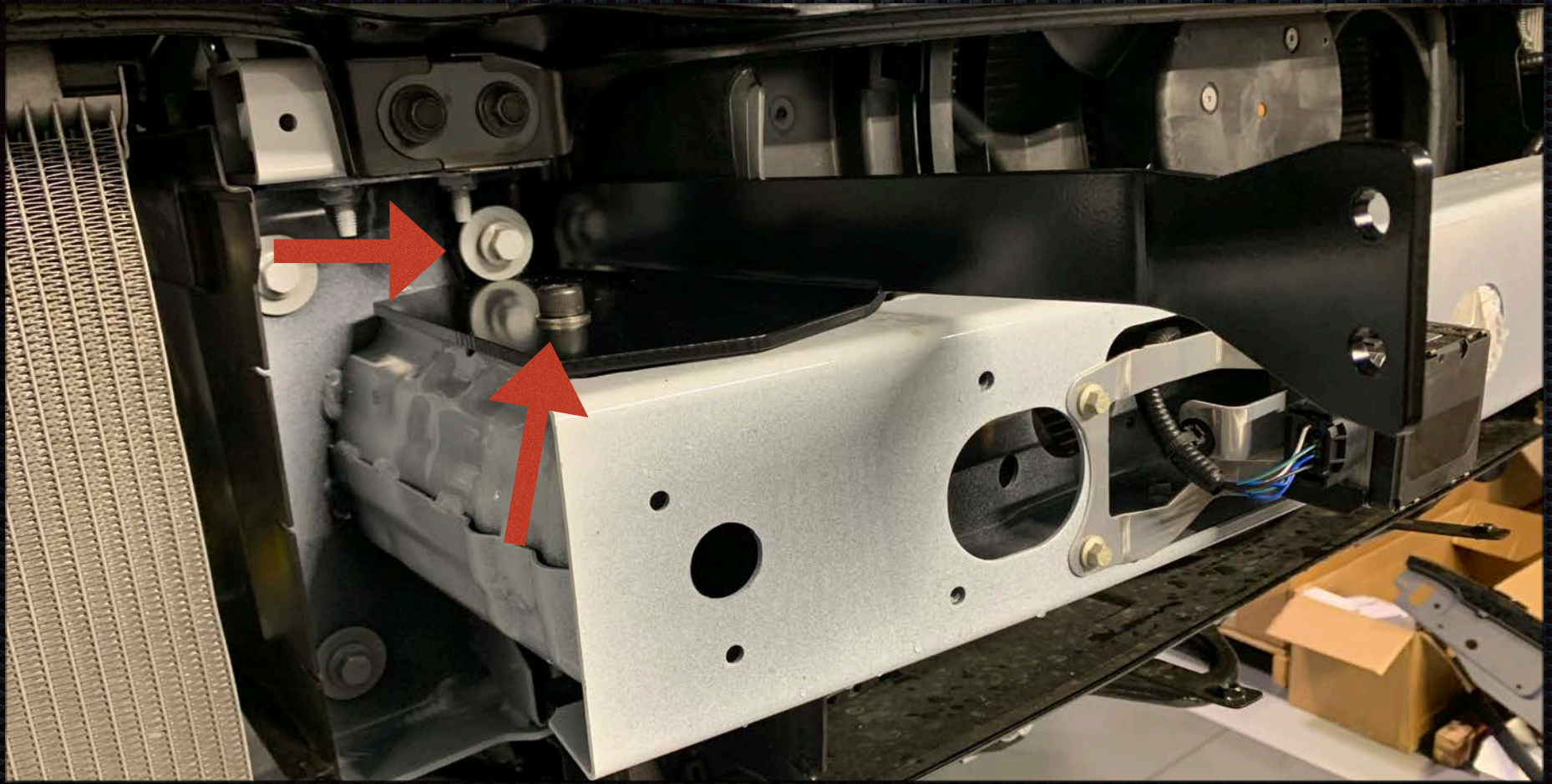
With everything in place tighten the four mounting bolts to 60nm



A Bar installation.



Gently slide the A bar mounting brackets through the large air intake holes of the bumper cover so they rest on the bumper core support as shown .



Reaching into the bumper cover tighten the two core support and two allen head bolts to 60nm

Mount the A bar to the mounting tabs





Your hidden winch kit should look like this.



For any questions please call
716 898 8153

Or

Email sales@LK8Parts.com