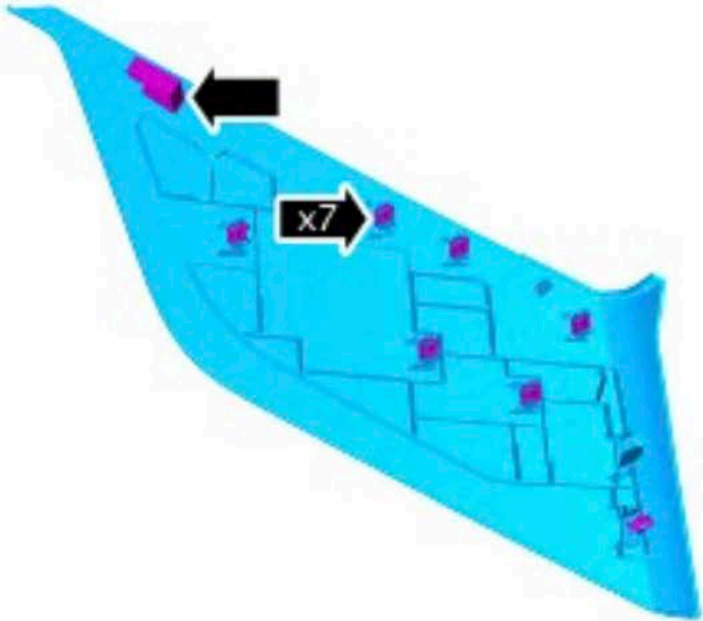
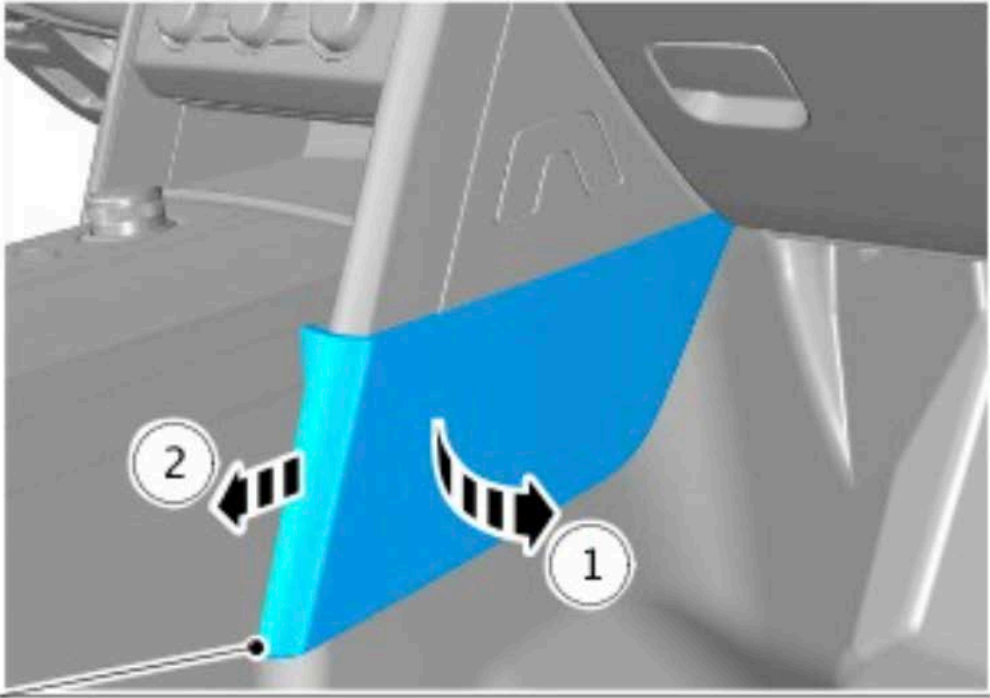




## PROUD RHINO D5 POWER PANEL



**Step One:**  
Remove the lower side panels





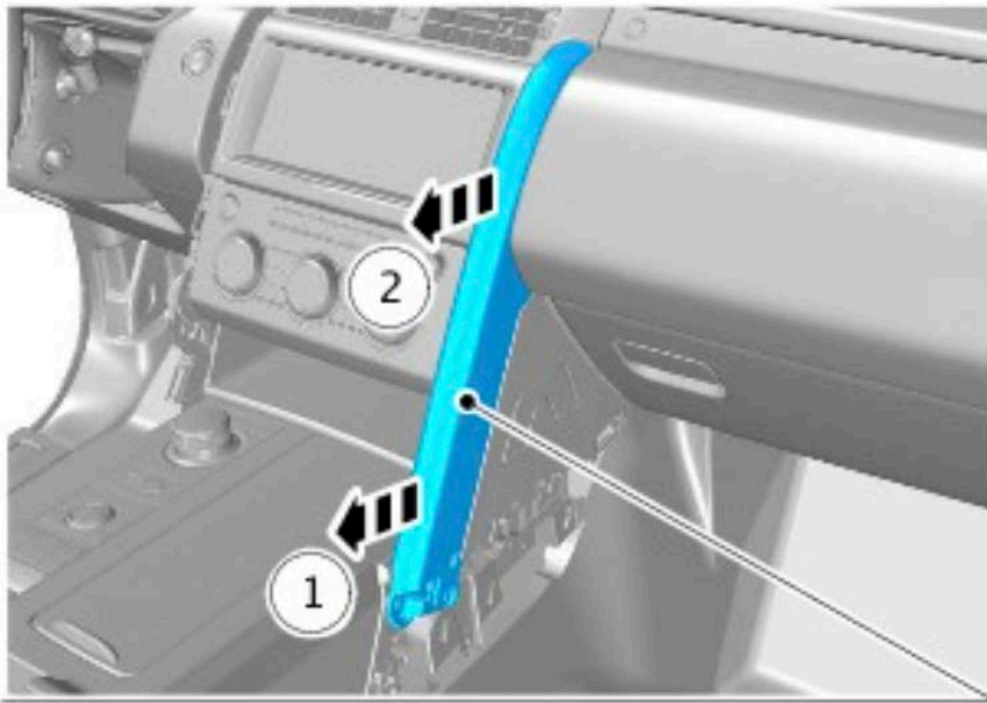
Grasp underneath the leading edge of the panel and quickly pull outward releasing (7) clips then gently pull forward to release the front locking tab.

**Step Two:**

Remove the vertical trim pieces



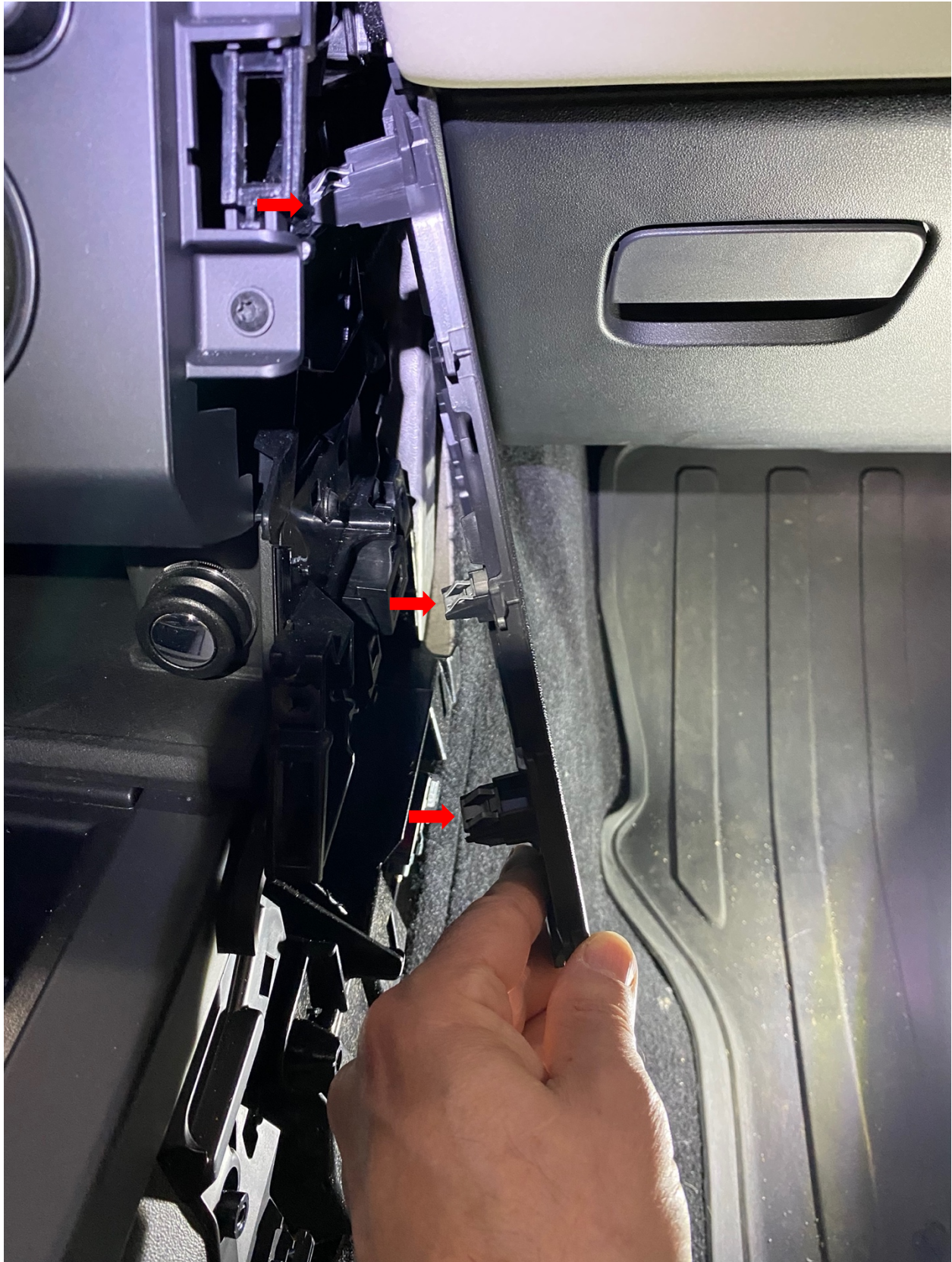
Locate and remove (2) Torx T25 screws



Gently pull the vertical trim piece in two steps as shown releasing (4) clips

**Step Three:**

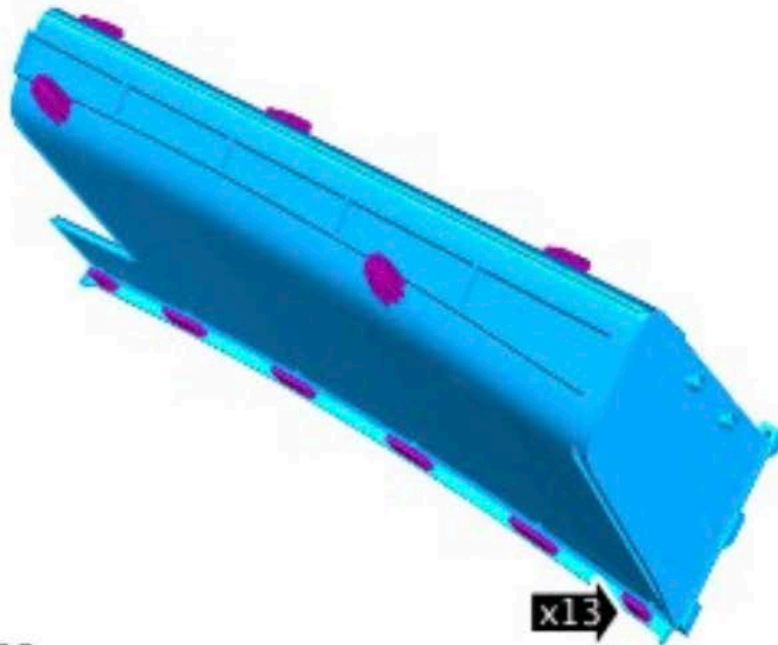
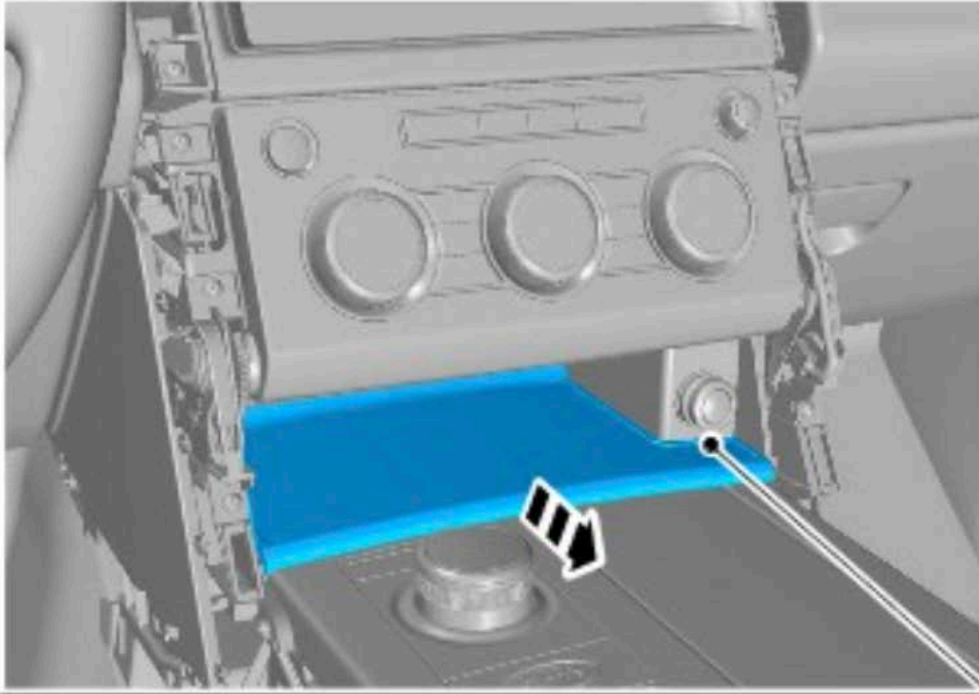
Remove the upper trim panels



Gently pull the panel outward releasing (3) clips

### Step Four:

Remove the rubber insert



E191929

Note: there are (6) bottom tabs and (3) upper tabs holding the insert in place



Gently pull up to release the (6) bottom tabs





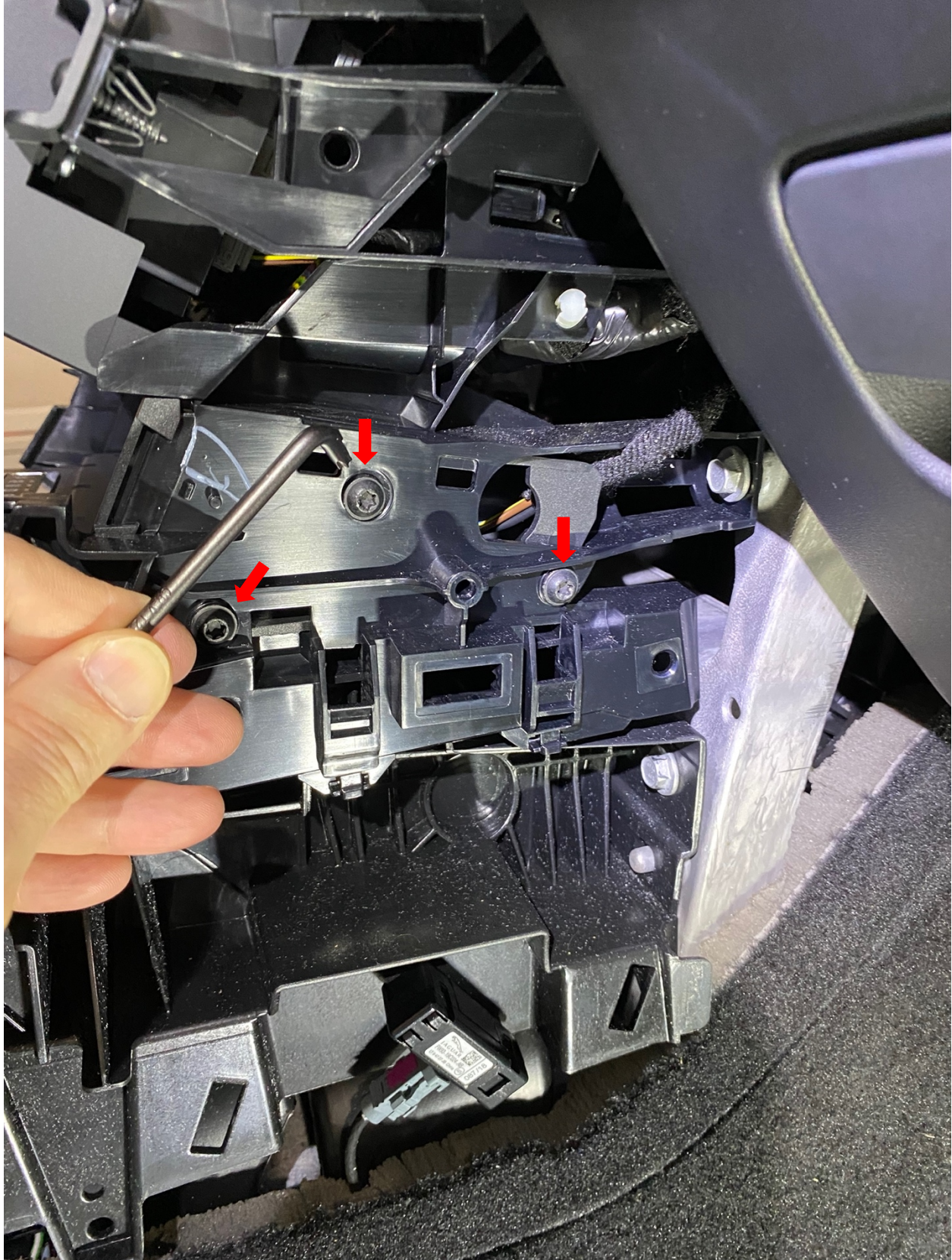
Gently pull down to release the (3) upper tabs



Slowly pull the rubber insert out and set aside (it will not be reused)

### Step Five:

Remove the cigarette lighter housing

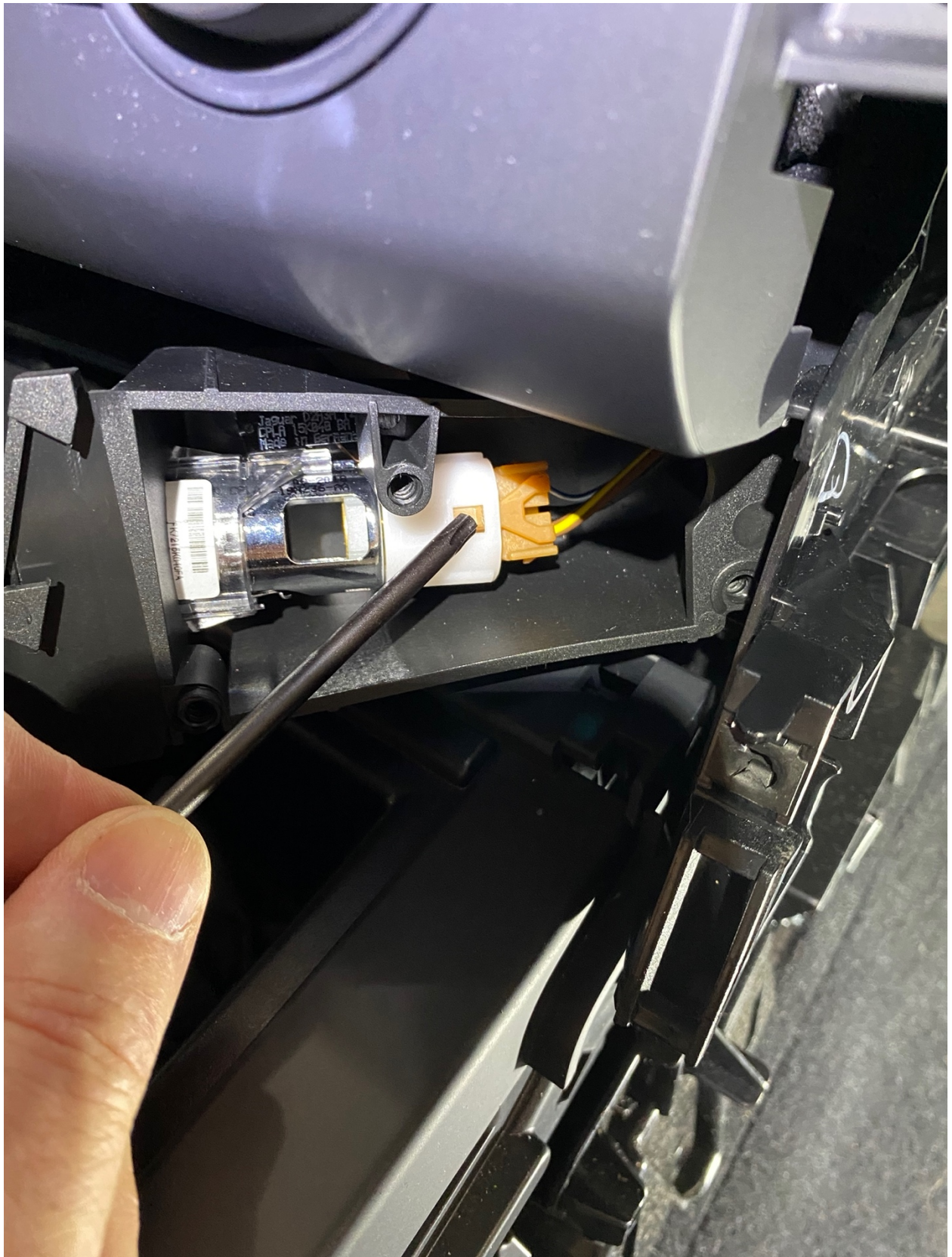


Locate and remove (3) Torx T25 screws securing the cigarette lighter housing and set aside they will no longer be needed

Note: The upper hole will be used to secure the Proud Rhino Power Panel (shown later)



Once the screws are removed gently pull the cigarette lighter housing forward to remove



Push the detent to release the electrical connection. There are three wires in the connector, either disassemble the connector or cut the wires completely.

**(Note:** before disassembling or cutting the wires **disconnect** the vehicles **main battery** to avoid any chance of an electrical short)



You will only need (2) of the (3) wires; the Black (ground) and the yellow/brown (+12v). The blue/white wire was for the cigarette lighters backlight and should be isolated away from the other two wires.

## Step Six:

Install the Proud Rhino Power Panel



Insert the Power Panel into the space where the rubber insert was located. Line up the threaded hole on the Power Panel with the upper cigarette lighter hole.

The Proud Rhino Power Panel is pre-threaded to accept a 10-32 screw. I used (2) Stainless Button Head Cap Screws 10-32 x 1/2" along with (2) #8 Stainless Flat Washers to complete the installation

### Step Eight:

Reinstall everything in the reverse order, reconnect the battery, start your vehicle, sit back and enjoy your new Proud Rhino Power Panel.





The nice thing about this Proud Rhino product sold at Lucky 8 Off Road Equipment is the quality and versatility. The panel comes with standard Carling switches so you have the option of purchasing MUD UK Switch Legends (sold @ Lucky 8) or I had switch covers from a previous build which are show here.

### PROUD RHINO D5 POWER PANEL

