

# Proud Rhino D5

Rock slider installation



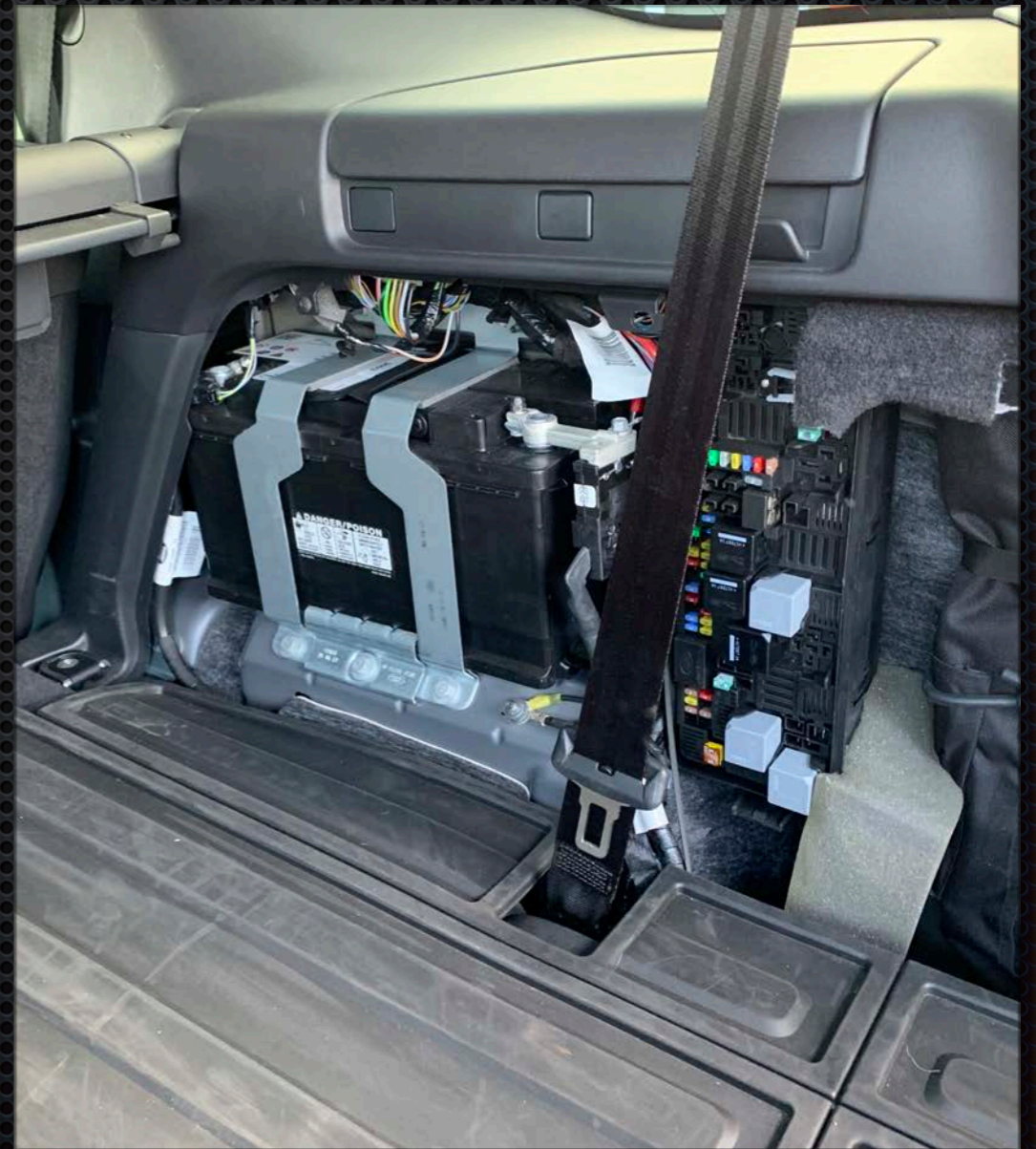
# Disconnect battery!

- ✦ Warning!  
You will be mounting the slider on the right hand side next to the main electrical buss of the truck. The buss is wrapped in a red protective coating.

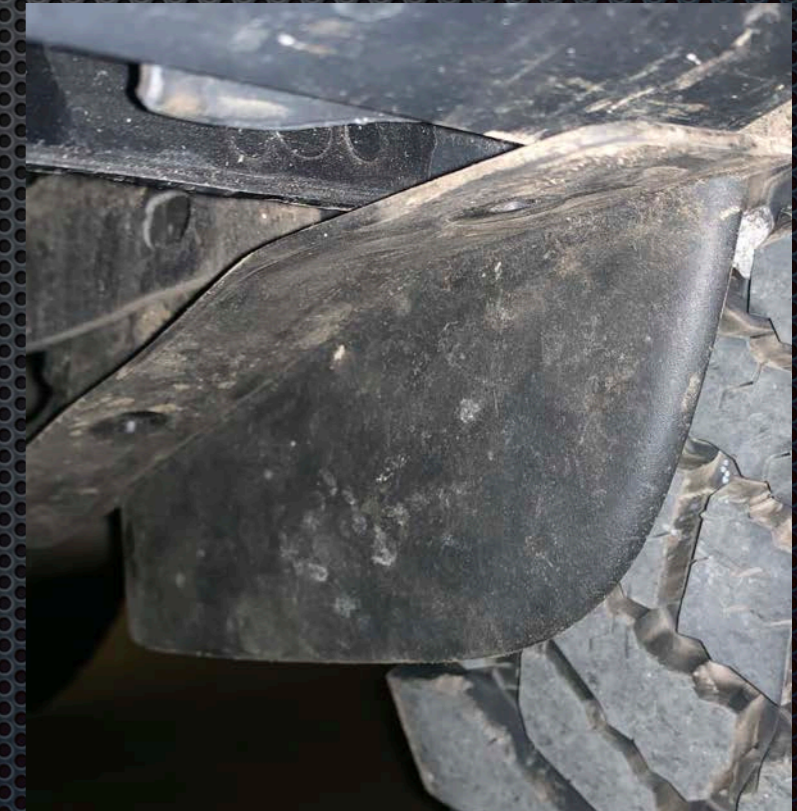
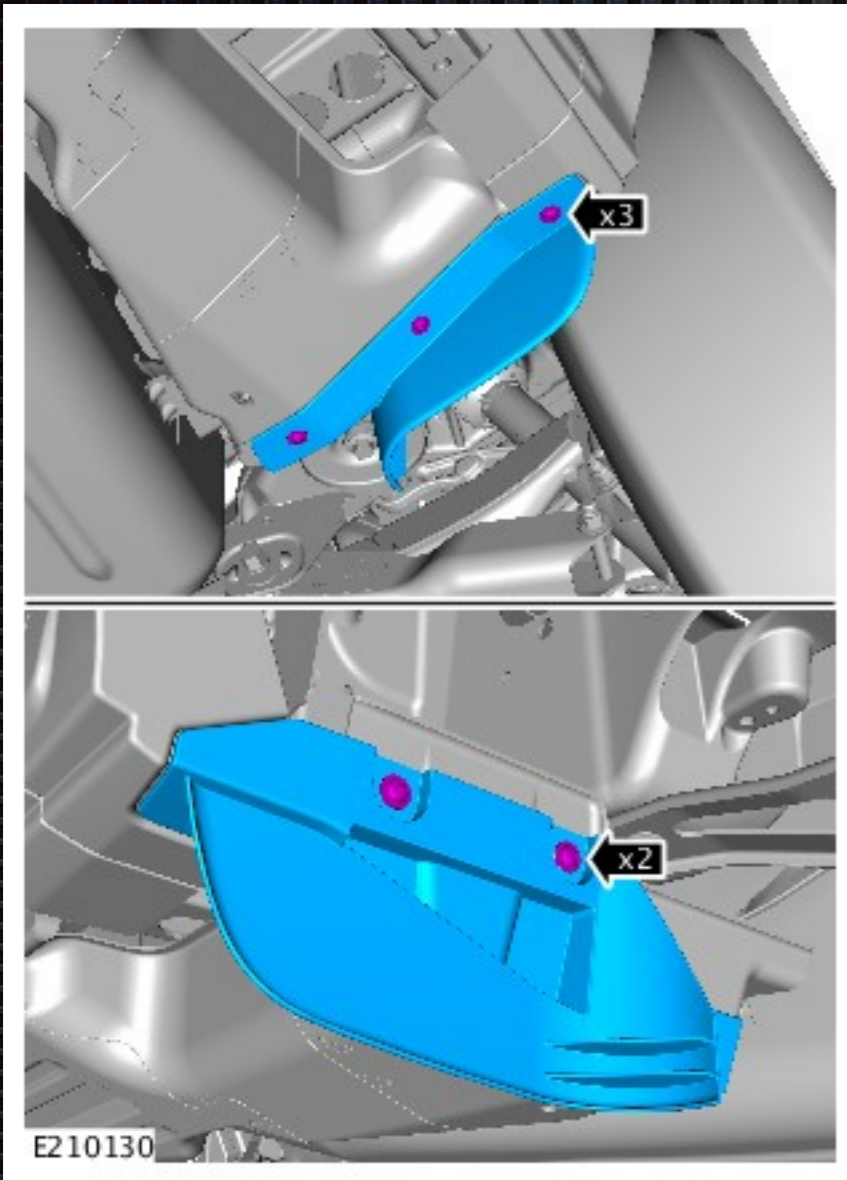


# Looking for the Battery ?

- The battery is on the right hand side behind the fabric compartment.



# Remove rear inner mud flaps



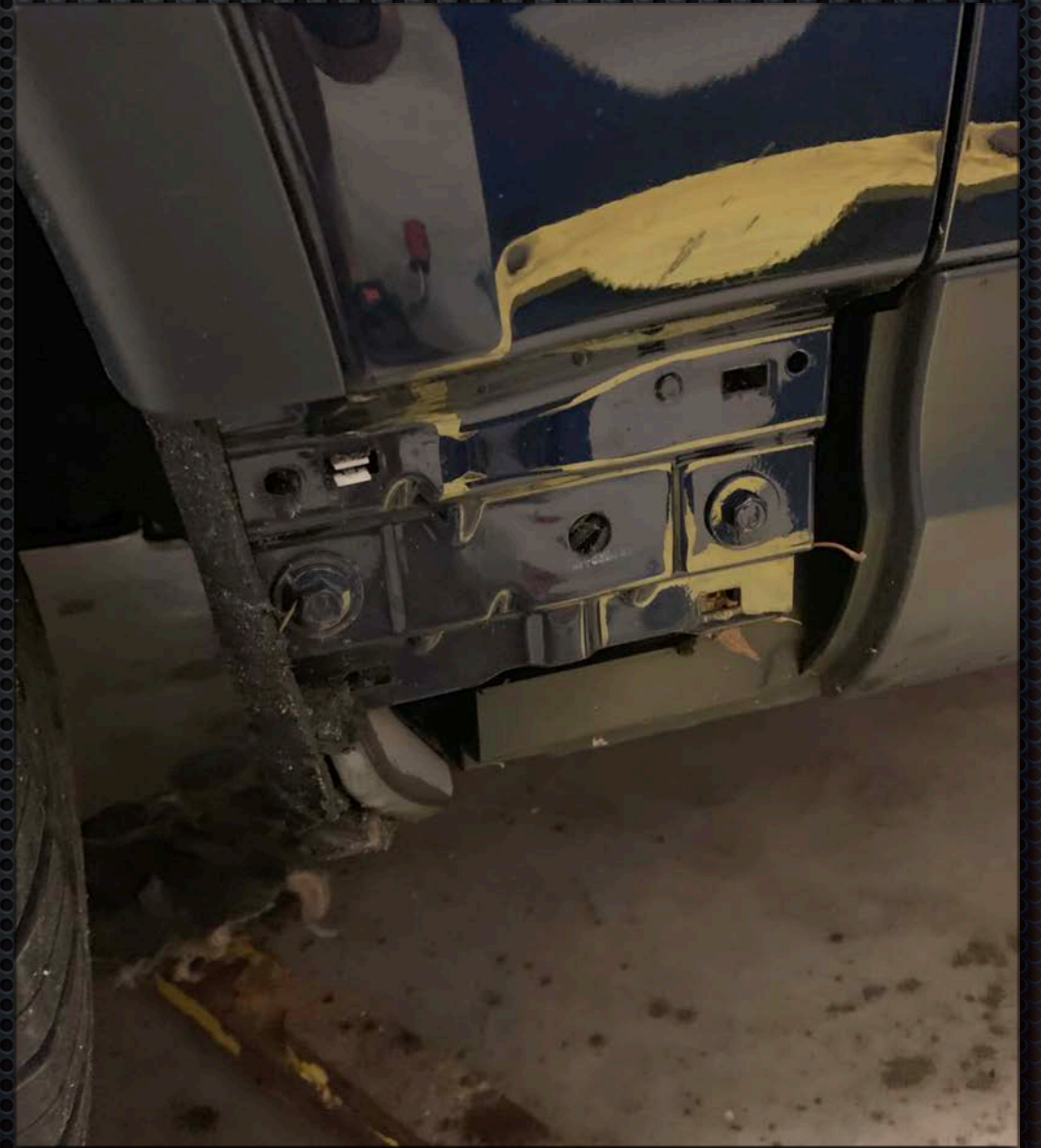
# Remove rear inner door moldings

- Gently pry to remove



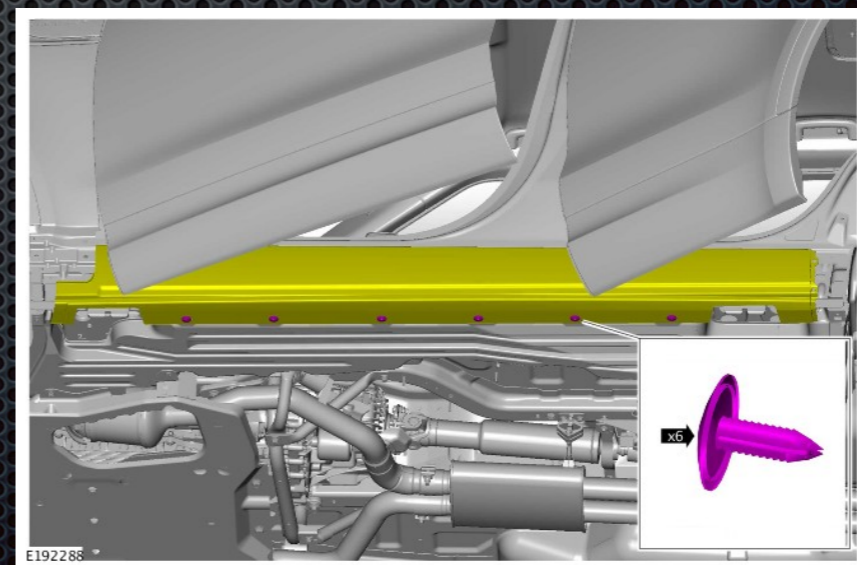
# Remove Front fender lower trim

- Gently pry to remove



# Remove lower door trim

- Gently pry to remove

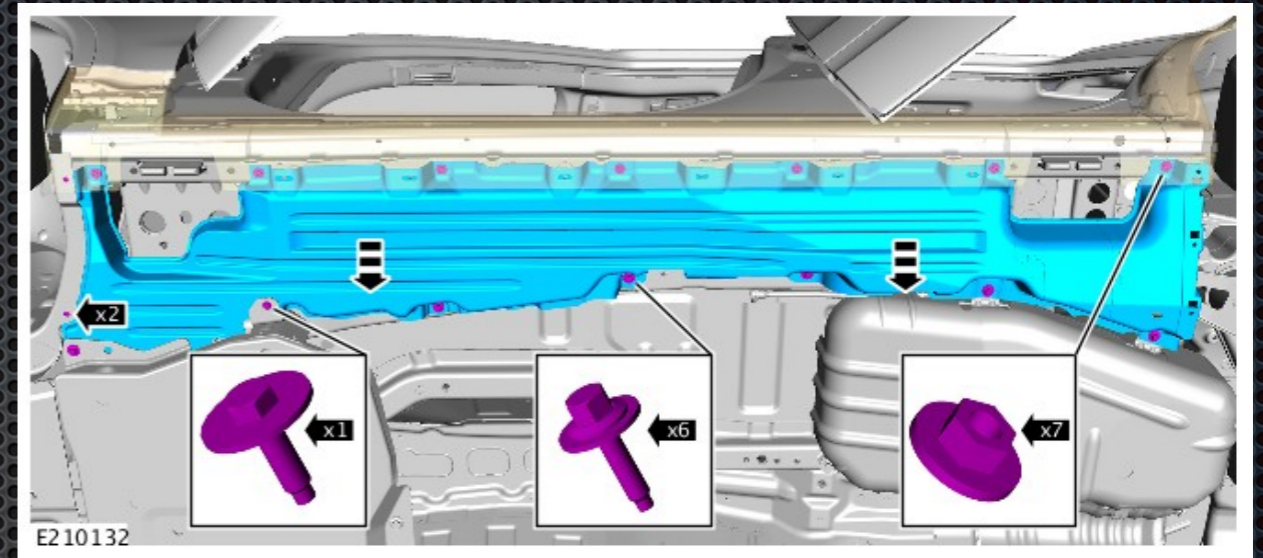




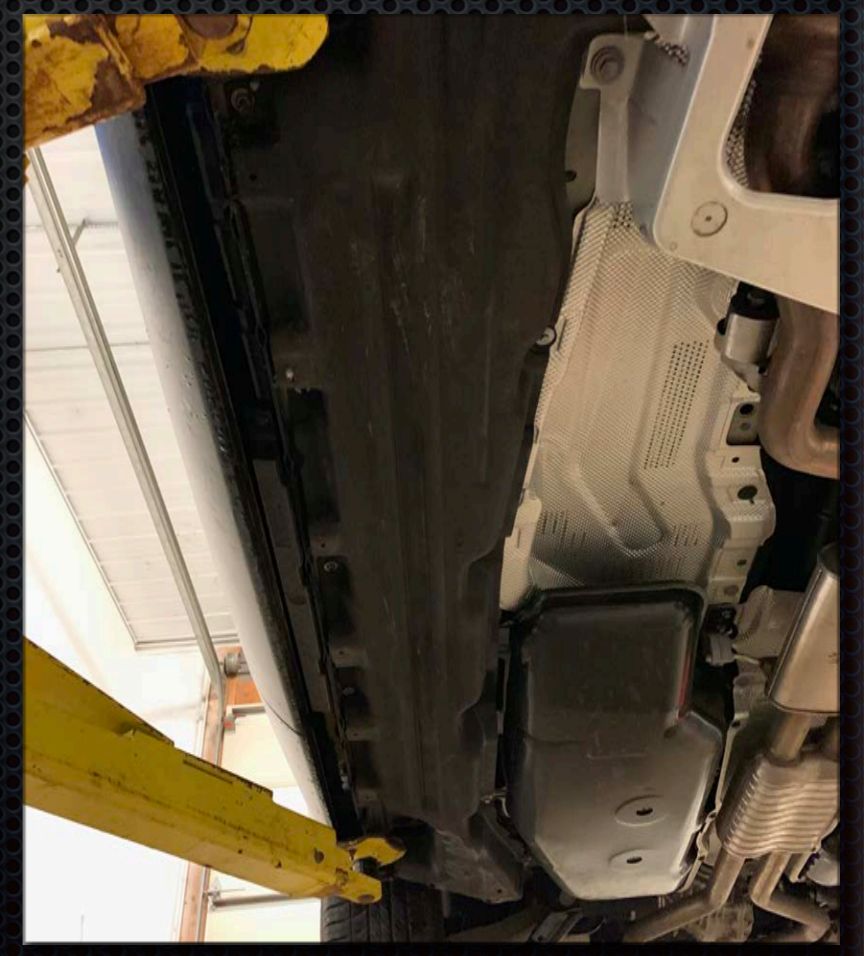
Cut lower trim on red line



# Remove fiber board debris guards



- Remove all nuts and bolts.



# Remove mounting studs

- Snap off debris guards studs. We recommend vice grips. Debris guards can be reinstalled using new bolts in unused mounting points next to studs if desired.



# Position for install

- Balance Rock slider on a floor jack with angled slider edge towards the front of the truck



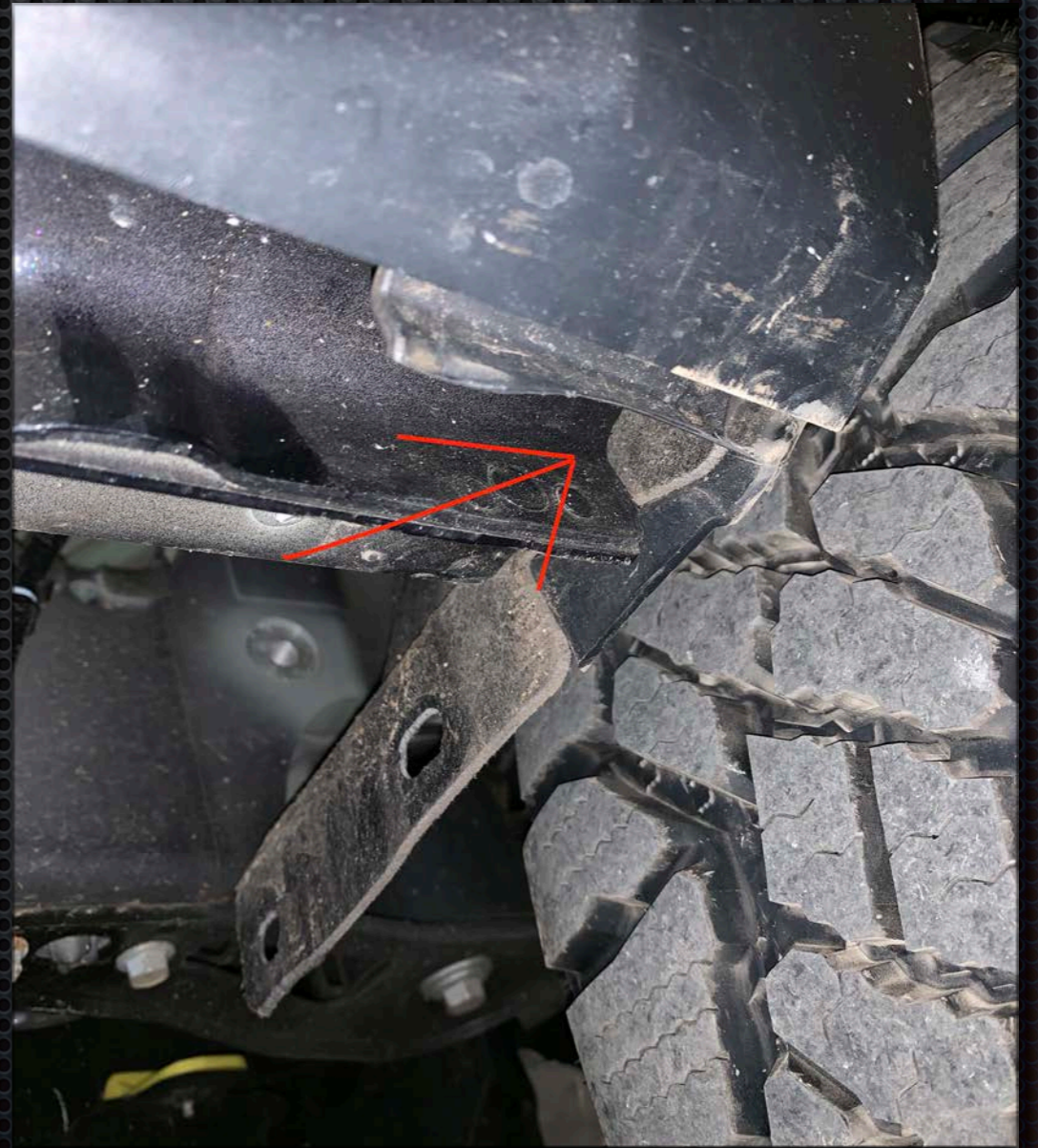
# Move sliders under truck

- Align the lift arrow directly under the the cent of the factory lifting points.



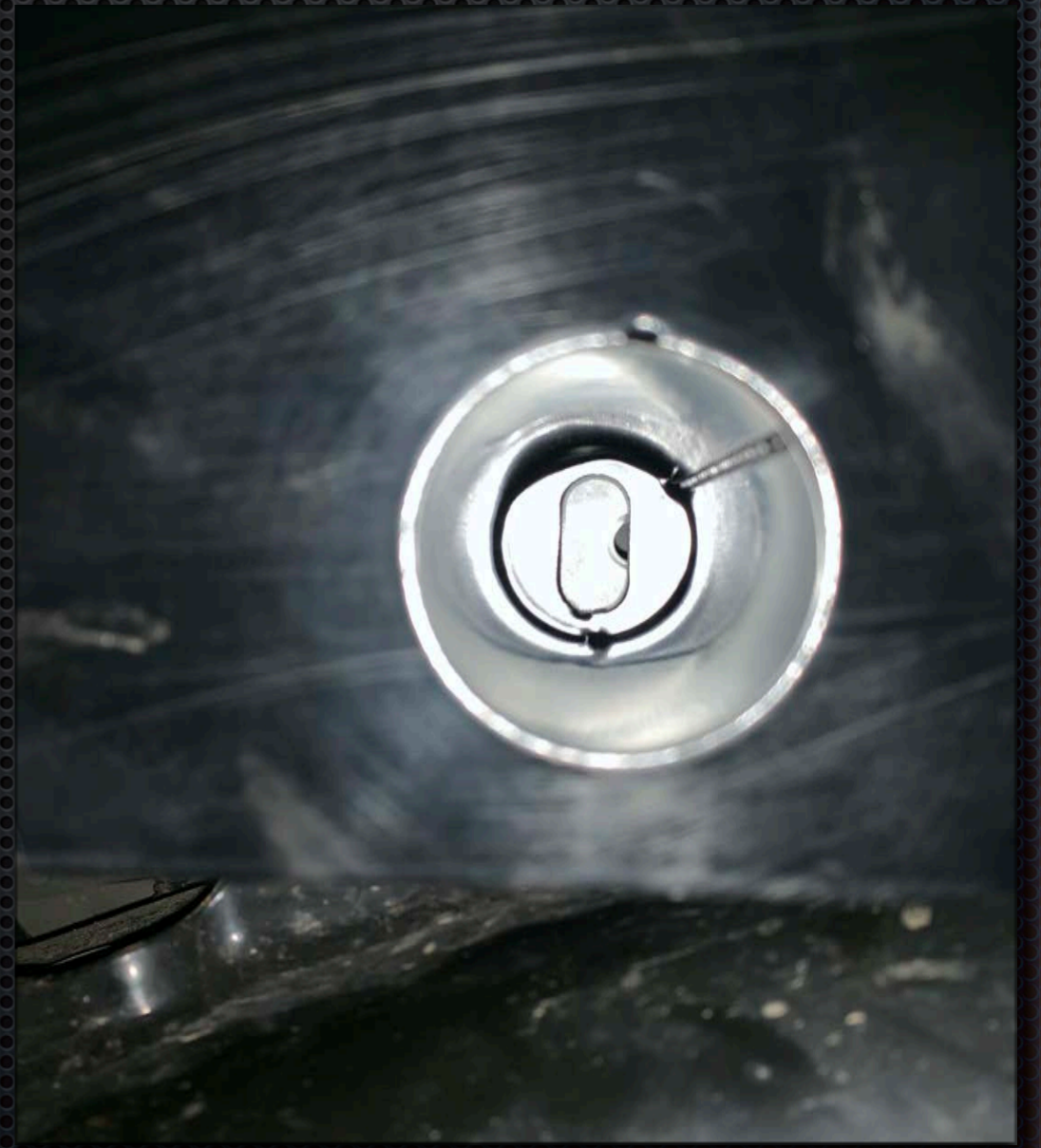
# Trim plastic

- ✦ Trim the plastic molding out of the way. It is located by the rear mud flaps. The plastic will interfere with the rock sliders being put in place tight to the sub frame.



# Gently lift slider into place

- As you lift the slider into place use extreme caution not to crush or damage anything on underside the truck. Leave the slider loose to the subframe so you can move and adjust for perfect bolt alignment.



# Tighten down the slider

- Tighten all 6 mounting bolts to 40fp.



# Reinstall all body moldings.

- Clip all the plastic body molding into place and reconnect the battery.







Now get out and adventure!