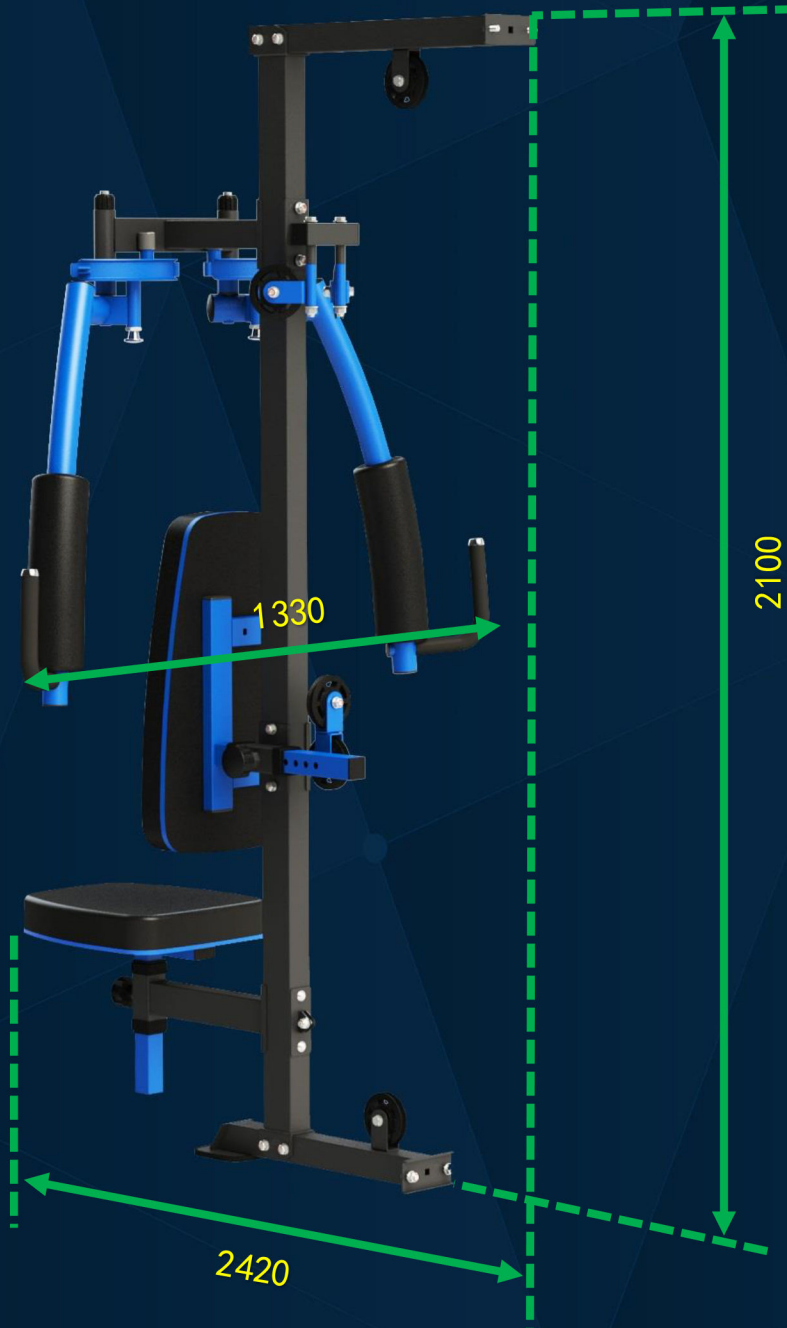
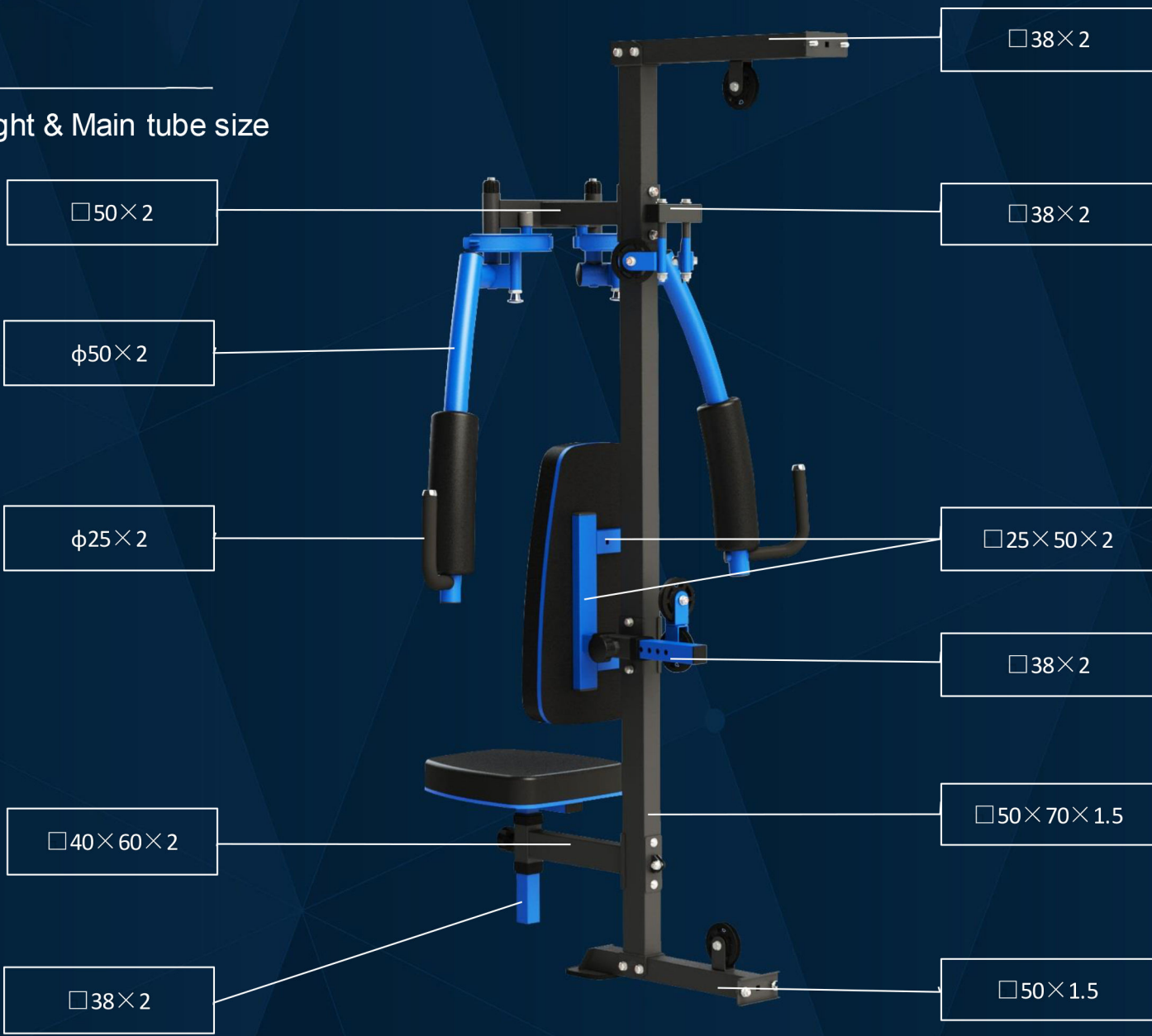


Assembled dimensions (mm)





Maximum weight & Main tube size



Characteristic

Leather foam

Adjustable backrest pad

Adjustable cushion

Cushion frame



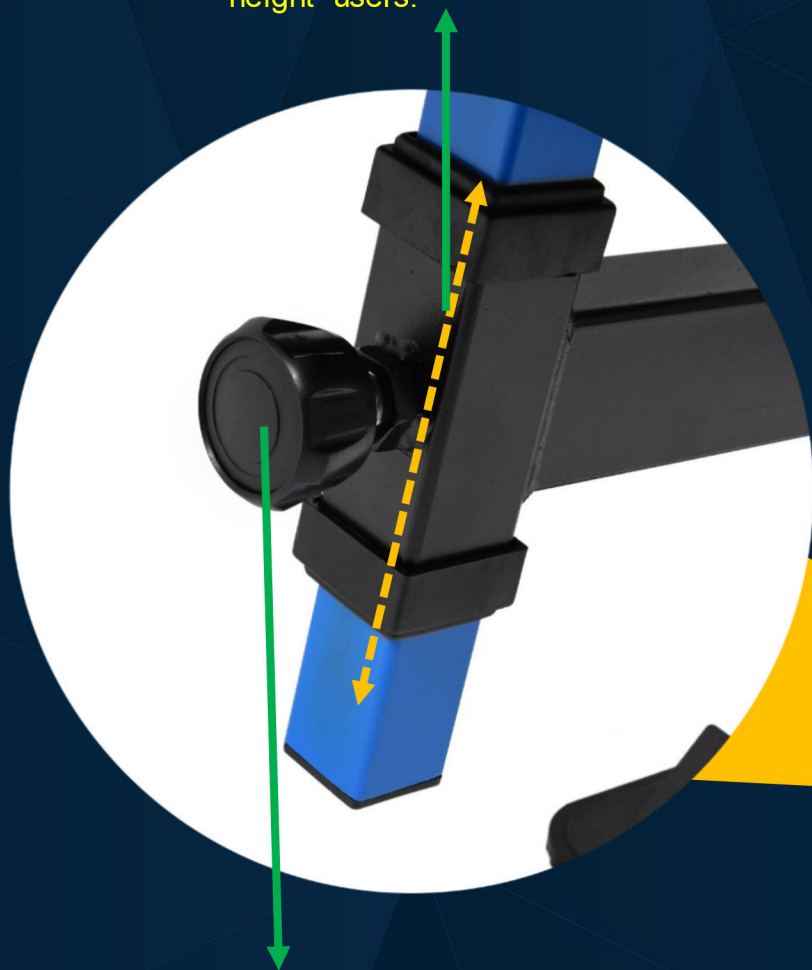
HDR grip

Backrest pad frame

Super flexible PP pulley (Same bumper material)

Adjustable cushion

5 position adjustment can meet the different height users.



Round knob, easy to be adjustable.



Reinforced base

It's more stable with increasing the contact area between the base and ground.



Adjustable butterfly

5 position adjustment design can meet the different height users.



Zinc plated
Lock Pin



Training the chest and back with adjustable butterfly

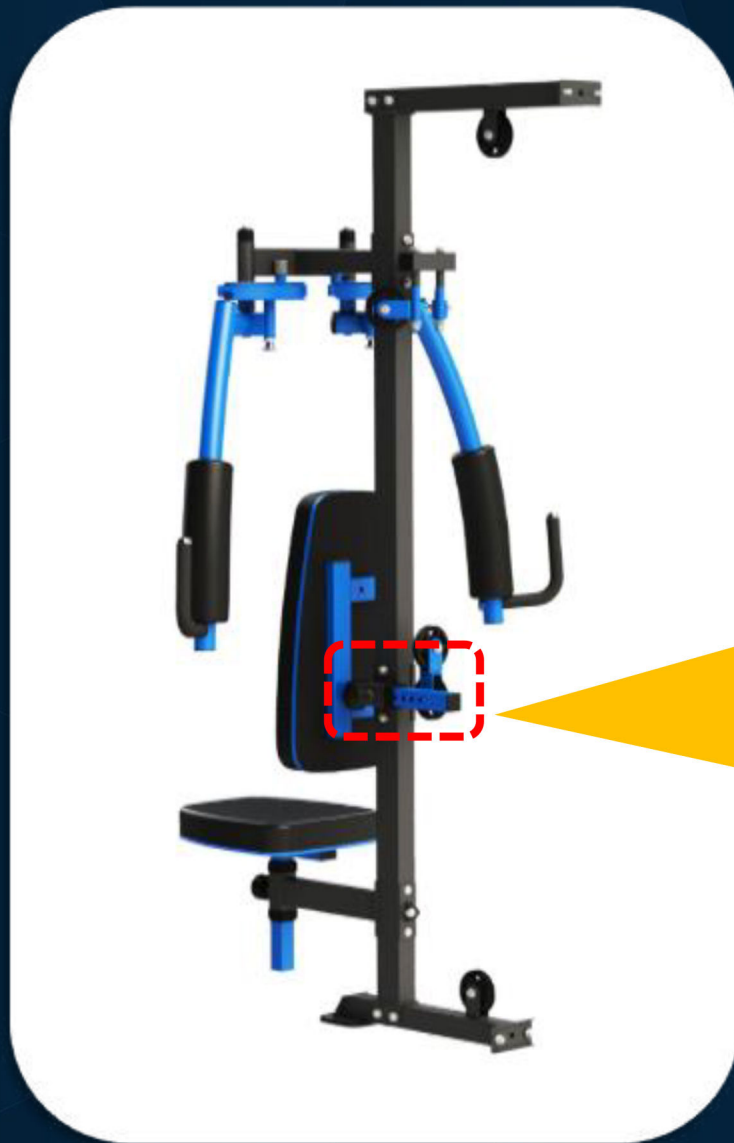
Detail display

Comfortable leather. reduce noise

Aluminium alloy end cap



Backrest pad frame



8 position adjustment can meet the different height users.



Unique butterfly design

The arc butterfly machine is designed to swing arm structure backward, forming rowing, chest clamping and pushing the chest three in one function. In accordance with the ergonomics, the structure has realized the use of one machine. It breaks through the use of two sets of structures in the past, and the two groups of cable trends can realize the limitation of the three functions, reduce the cost and save the use space.

