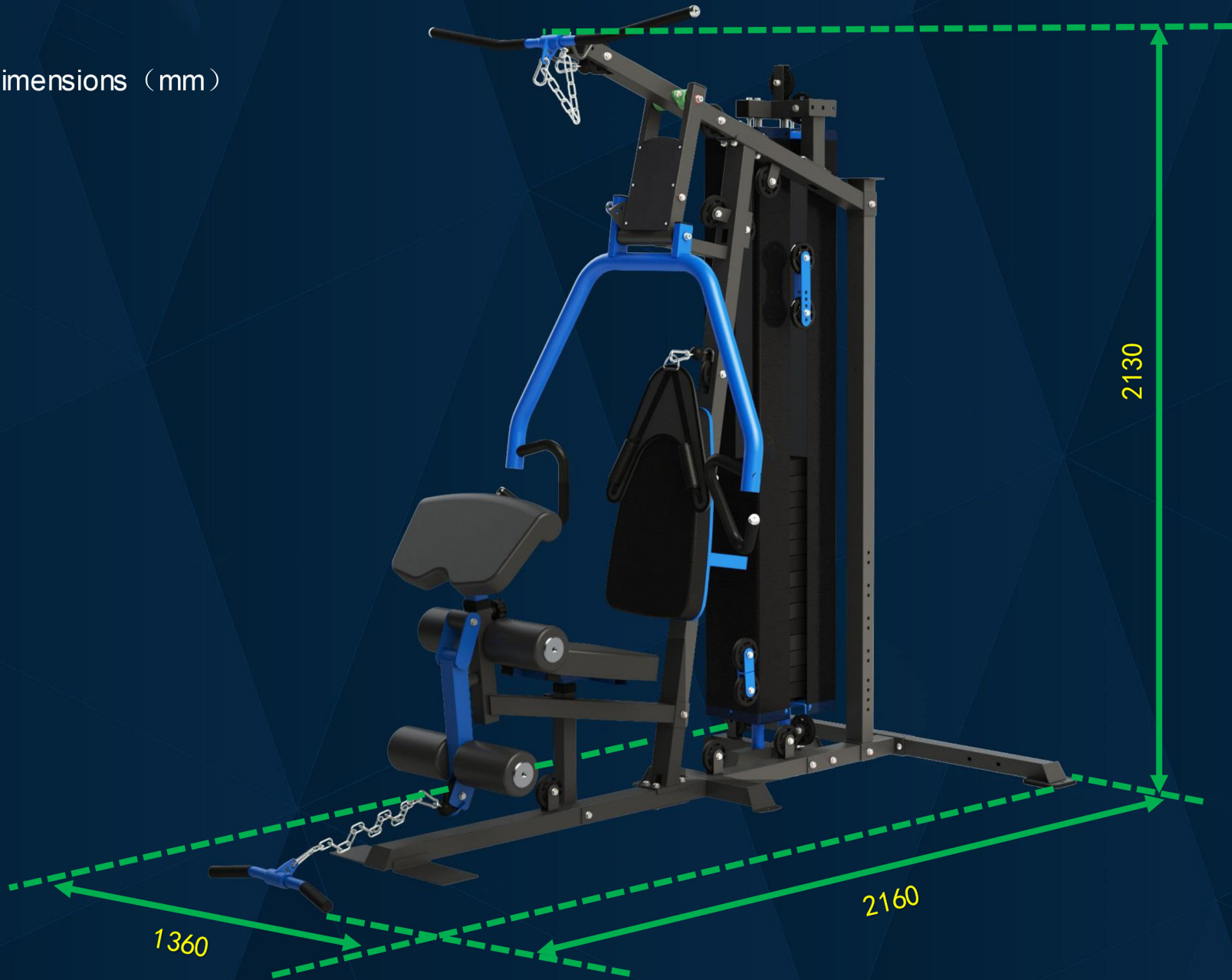


Assembled dimensions (mm)

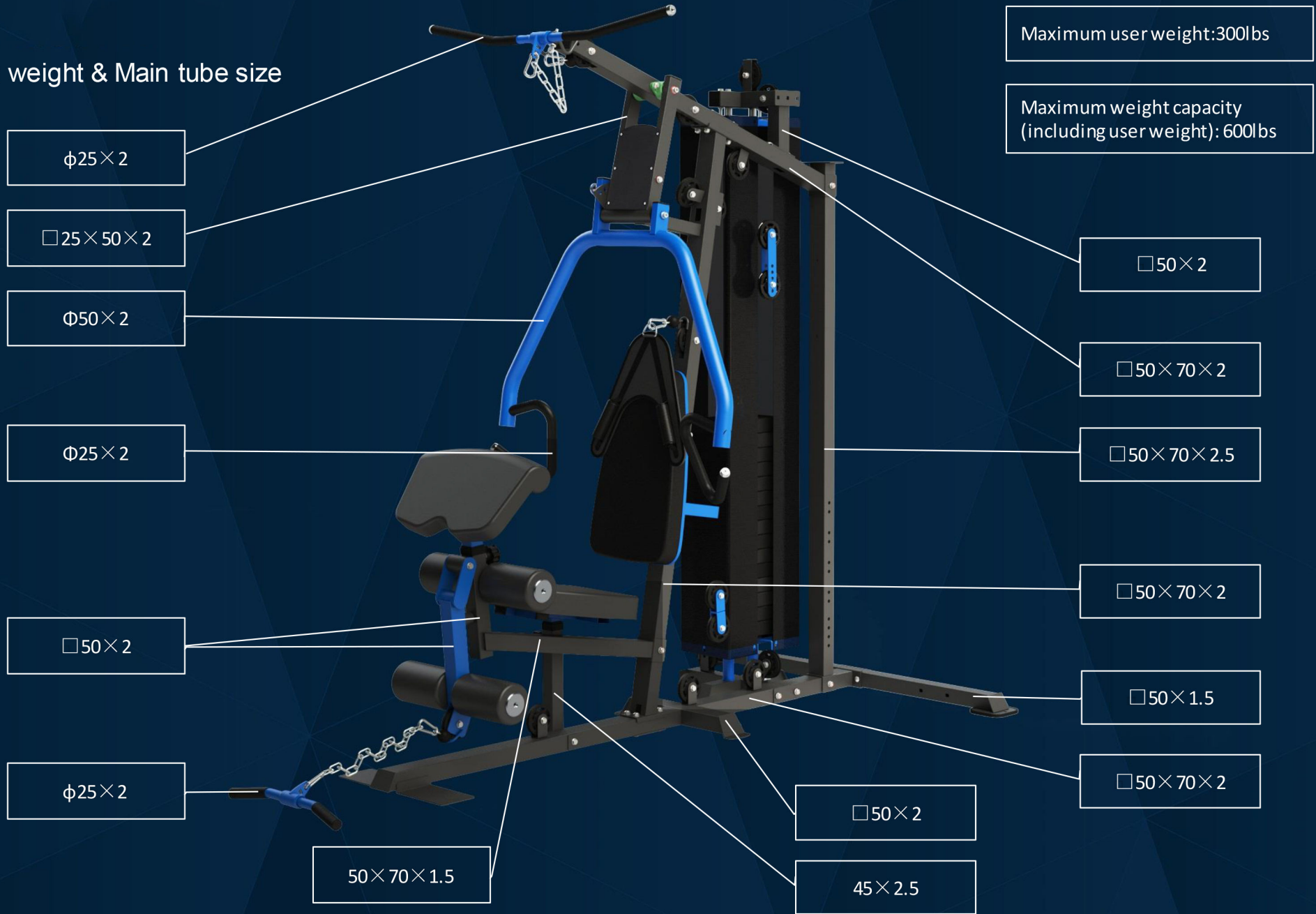


1360

2160

2130

Maximum weight & Main tube size



Characteristic

HDR grip

Arc butterfly design

Adjustable backrest pad

Adjustable arm curl pad

Leather foam

Non-slip metal footplate

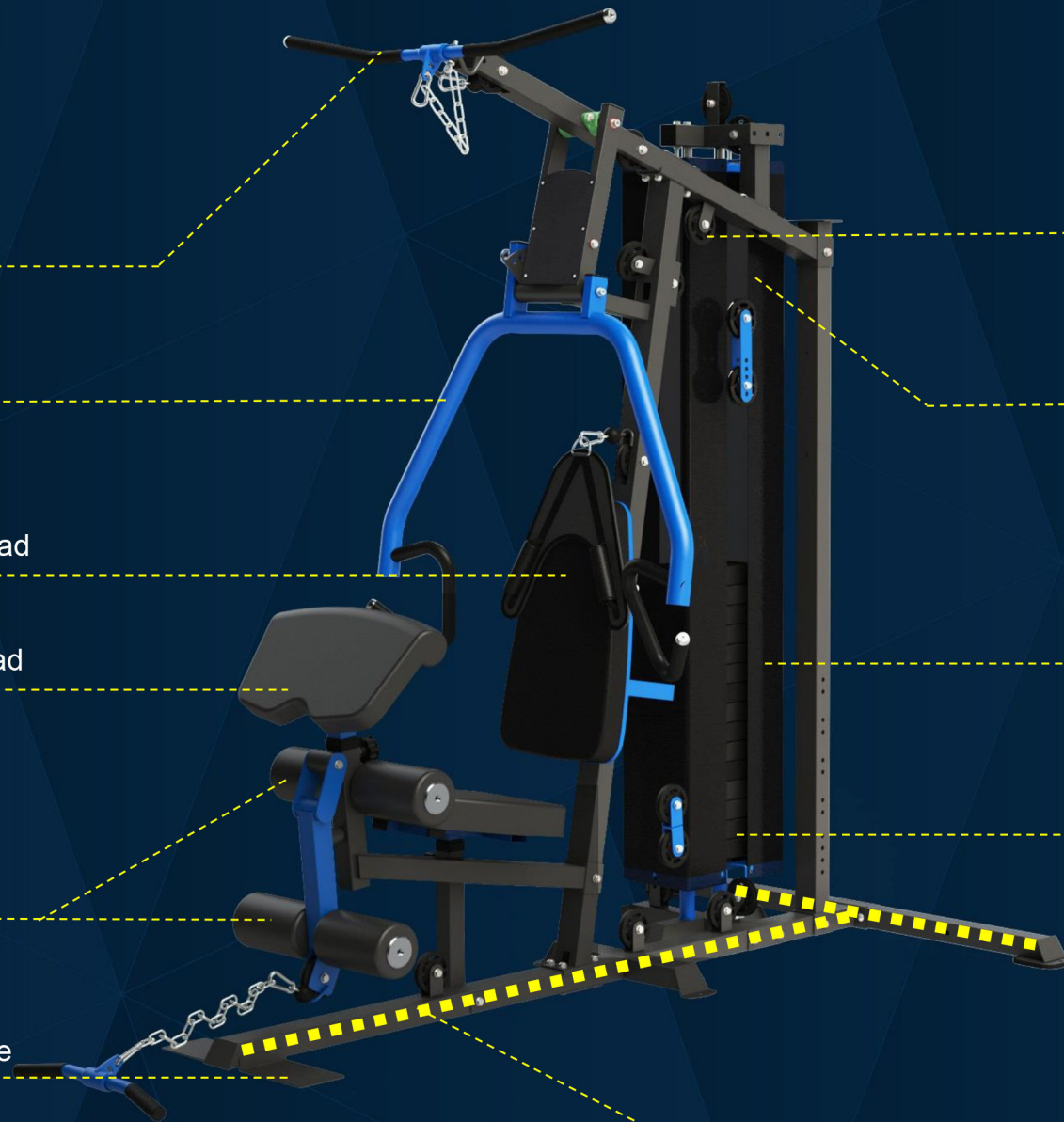
Super flexible PP pulley (Same as bumper material)

Cable diameter: 5mm

Canvas shield not only has the protection effect but also increases the stability of the machine.

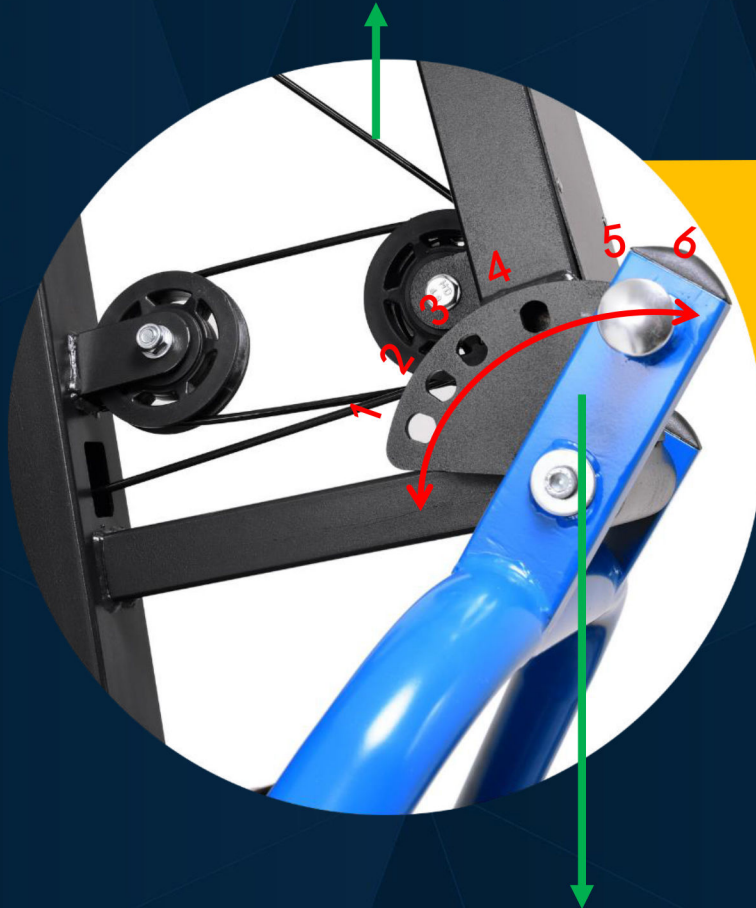
weight stack is
 $5\text{kg} \times 15 = 75\text{kg}$

T super stable base



Adjustable butterfly

Ø5mm Cable . Pass through 800 kg tension test. The cable is tensile, wear-resisting and safe.



6 adjustable butterfly machine can do both chest and back exercise by adjusting position.



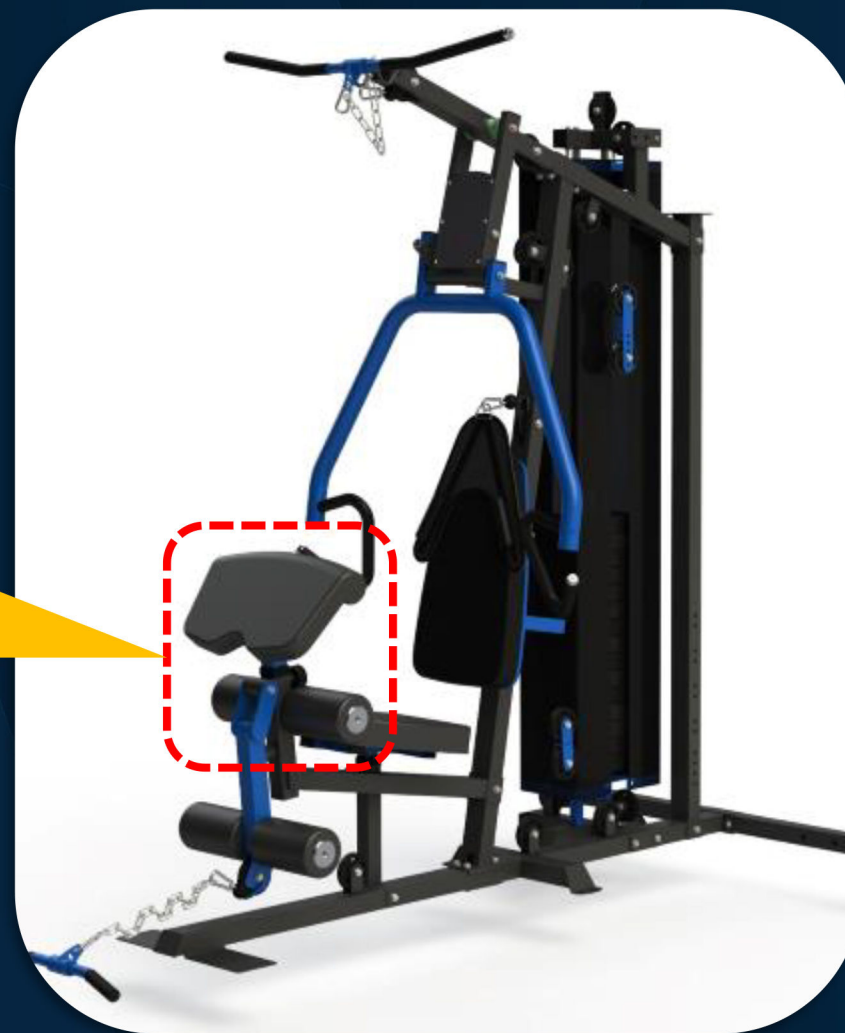
Adjustable arm curl pad

Double blue color formed the unique production process.

2 position to adjust the height of arm curl pad. Please adjust towards this direction.



High elastic leg foam

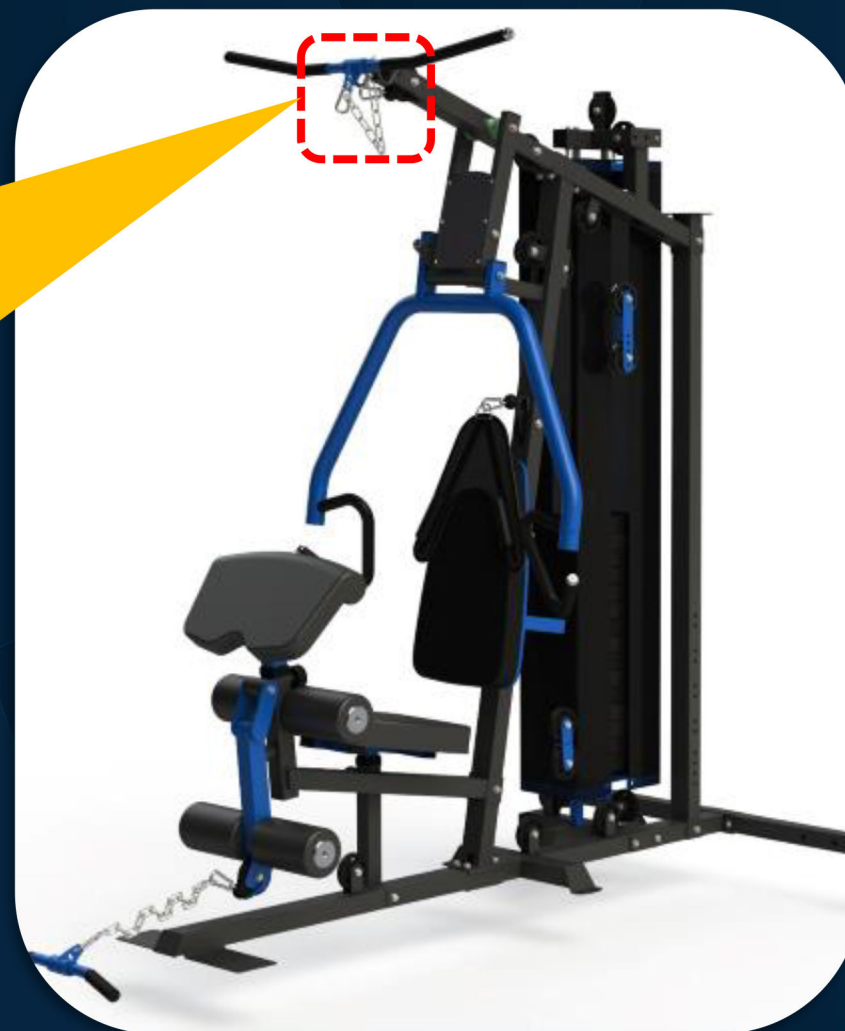


Detail display

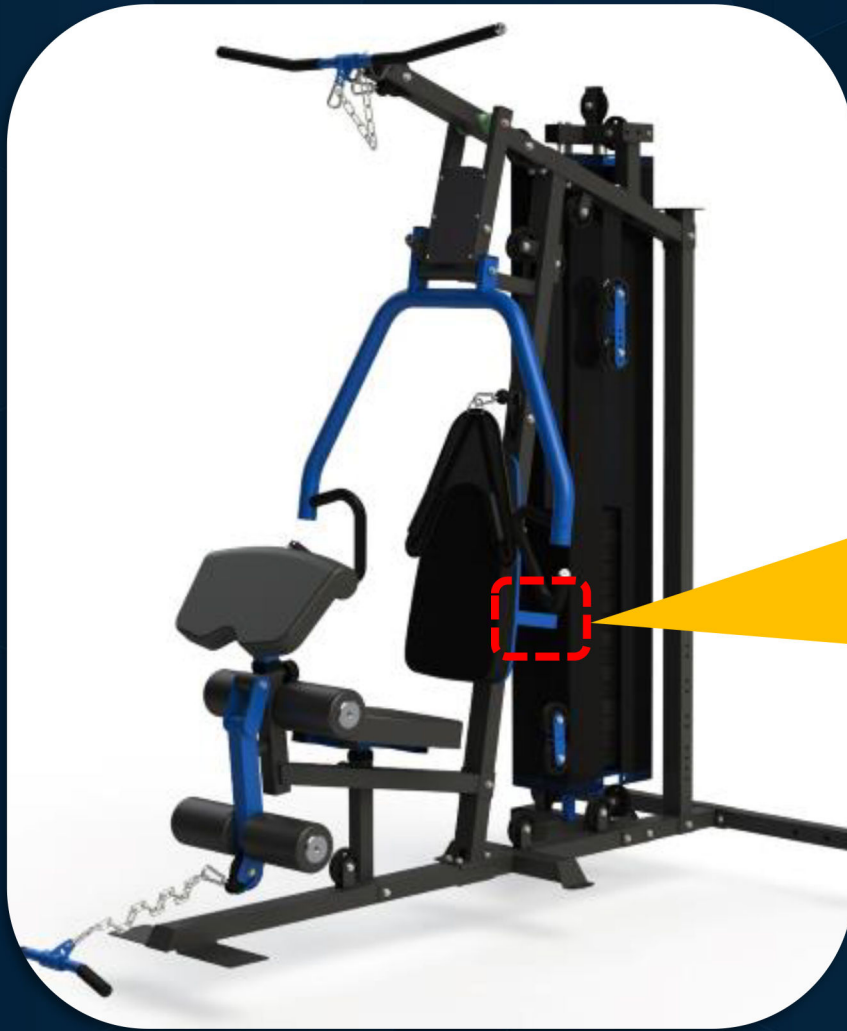
Galvanized gourd hook can be easily adjusted.



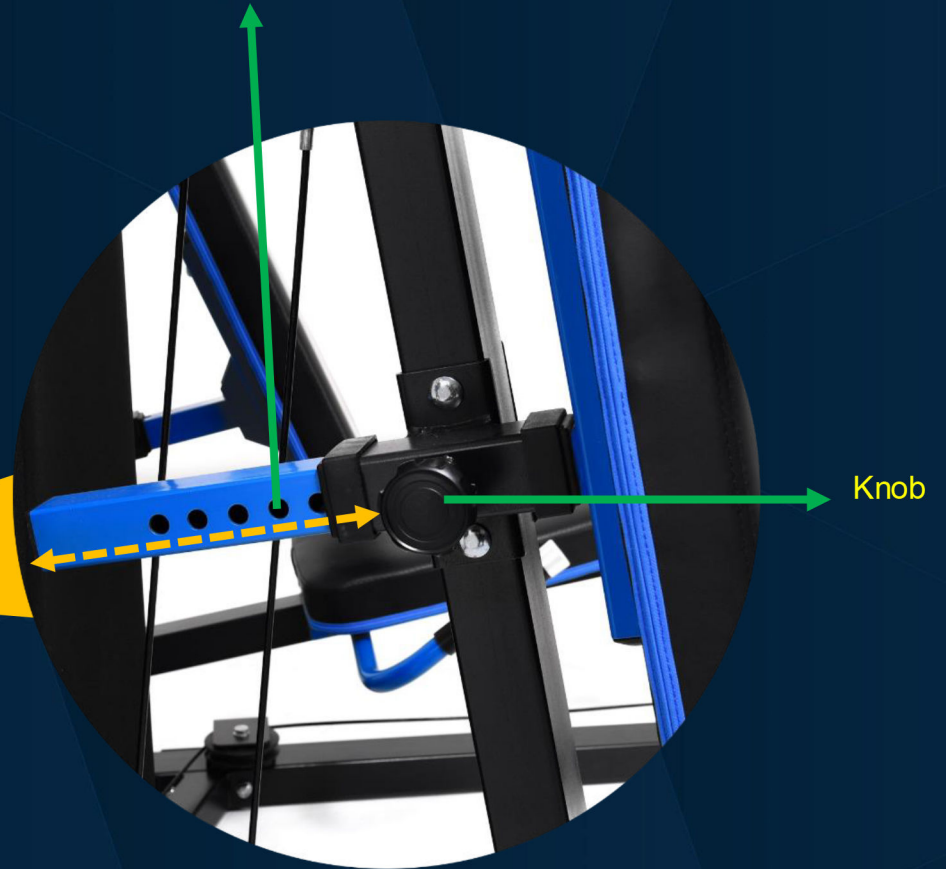
10 ring adjustable iron chain can meet different training needs.



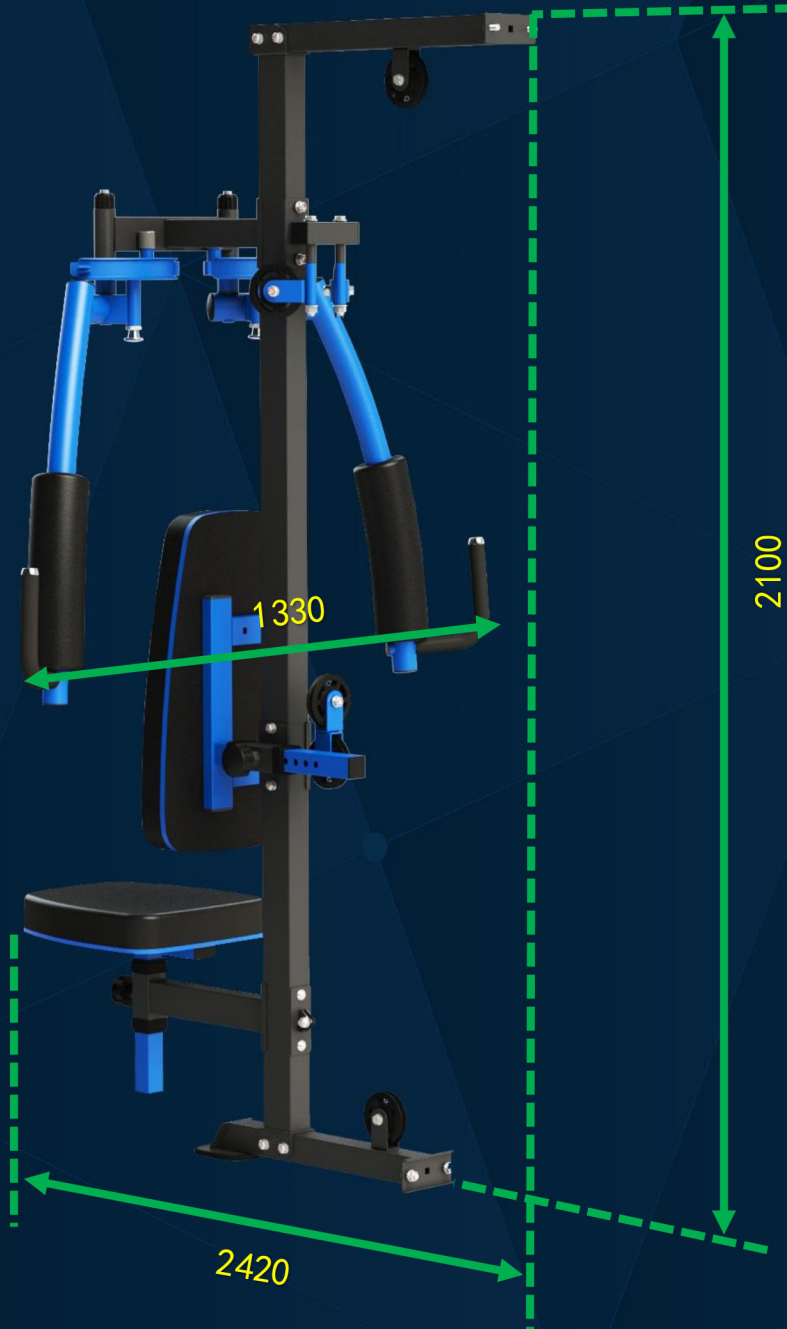
Adjustable backrest pad



6 position adjustable backrest pad can meet the different height users.



Assembled dimensions (mm)





Maximum weight & Main tube size



Characteristic

Leather foam

Adjustable backrest pad

Adjustable cushion

Cushion frame

HDR grip

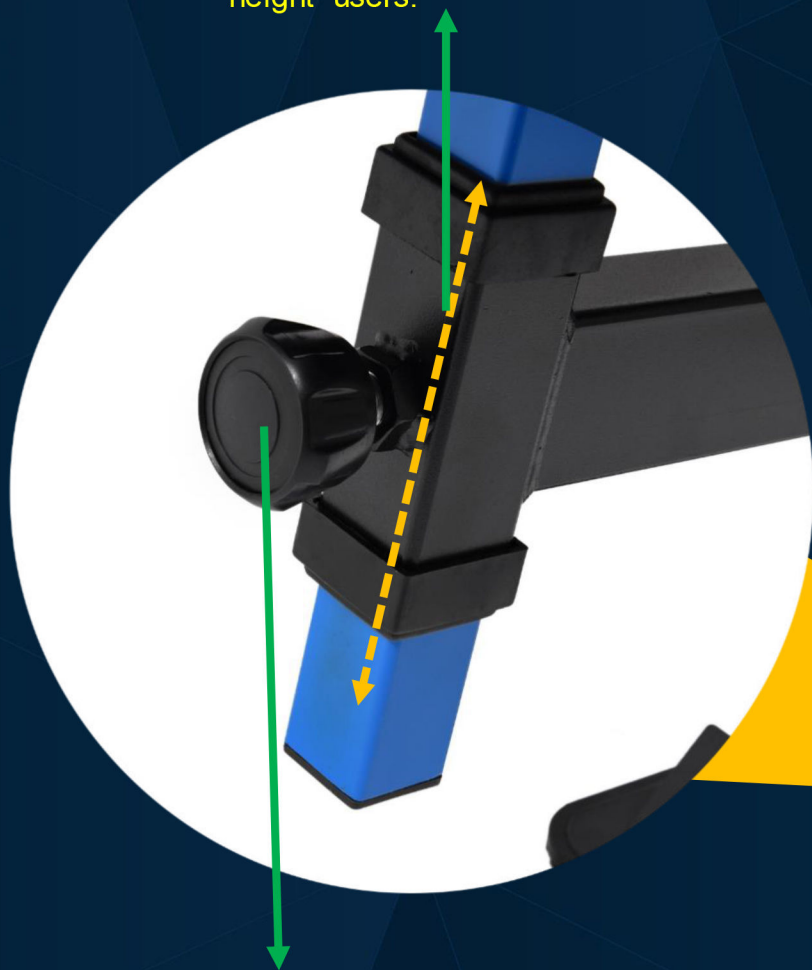
Backrest pad frame

Super flexible PP pulley (Same bumper material)



Adjustable cushion

5 position adjustment can meet the different height users.



Round knob, easy to be adjustable.



Reinforced base

It's more stable with increasing the contact area between the base and ground.



Adjustable butterfly

5 position adjustment design can meet the different height users.



Zinc plated
Lock Pin



Training the chest and back with adjustable butterfly

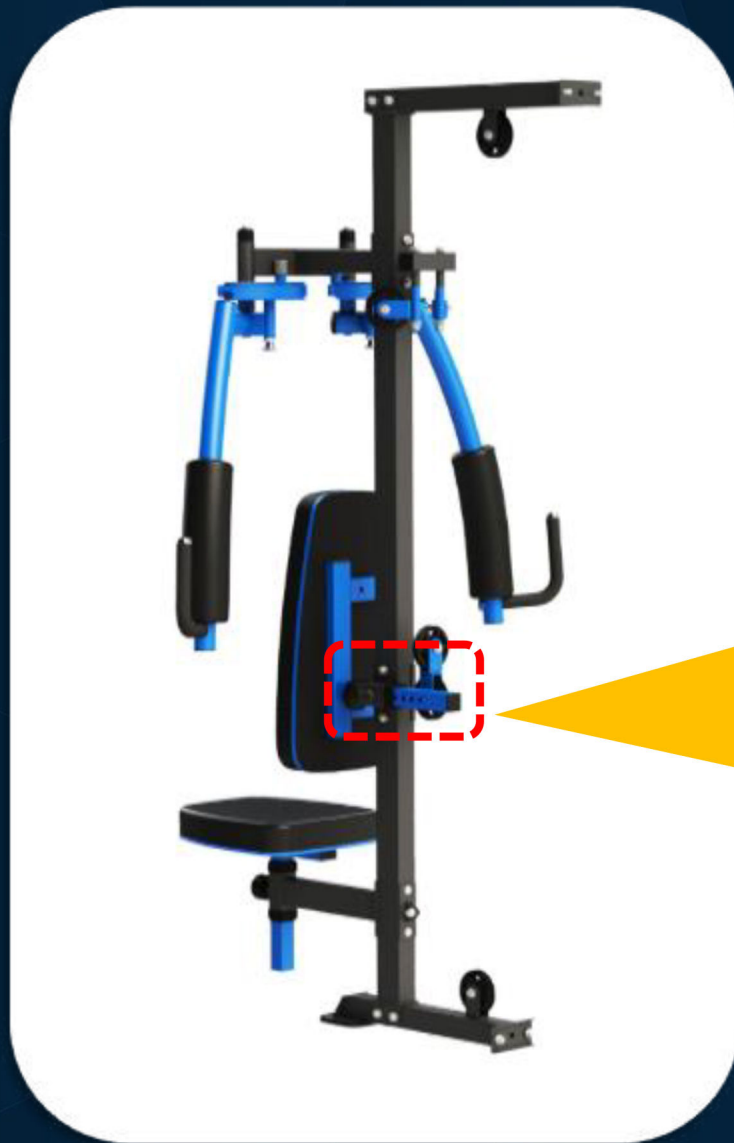
Detail display

Comfortable leather. reduce noise

Aluminium alloy end cap



Backrest pad frame

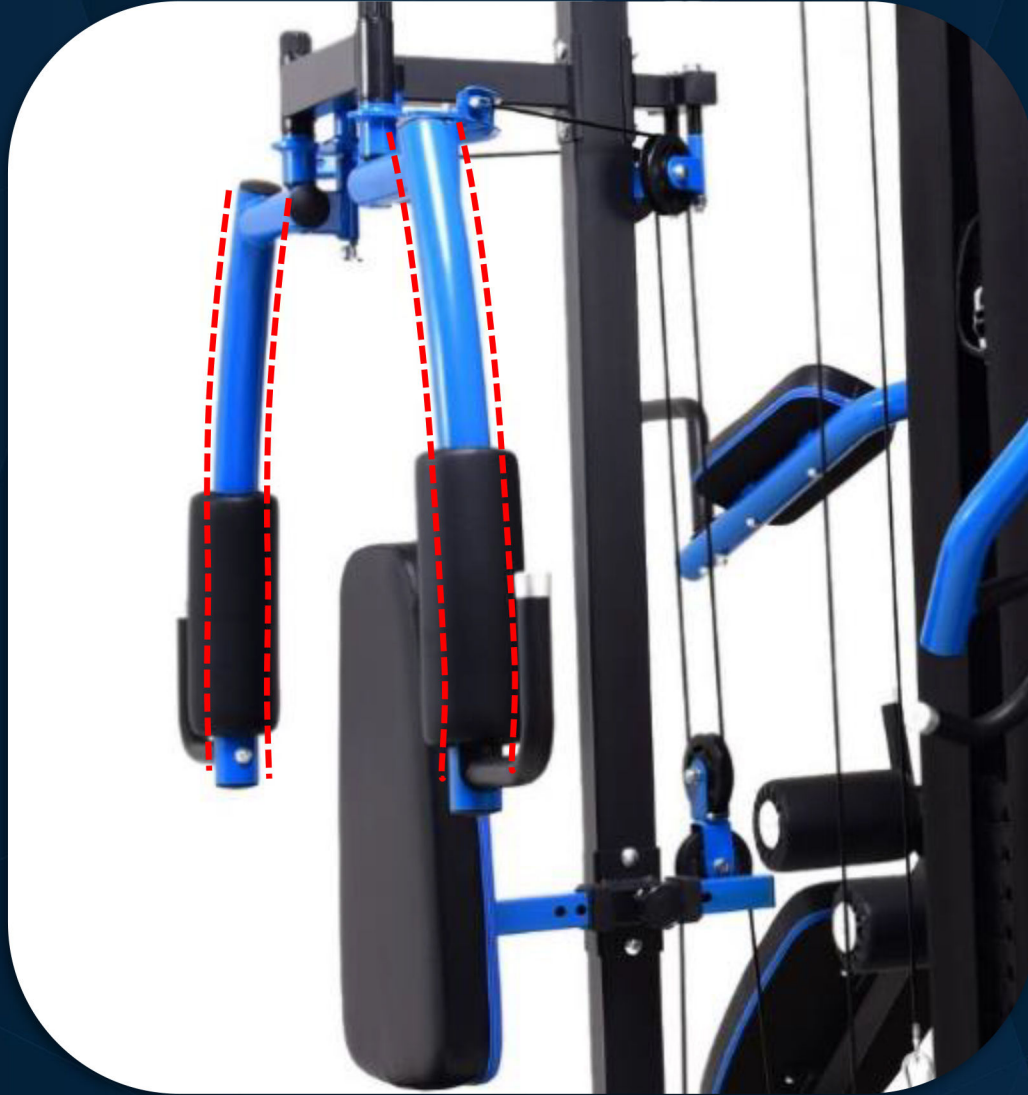


8 position adjustment can meet the different height users.

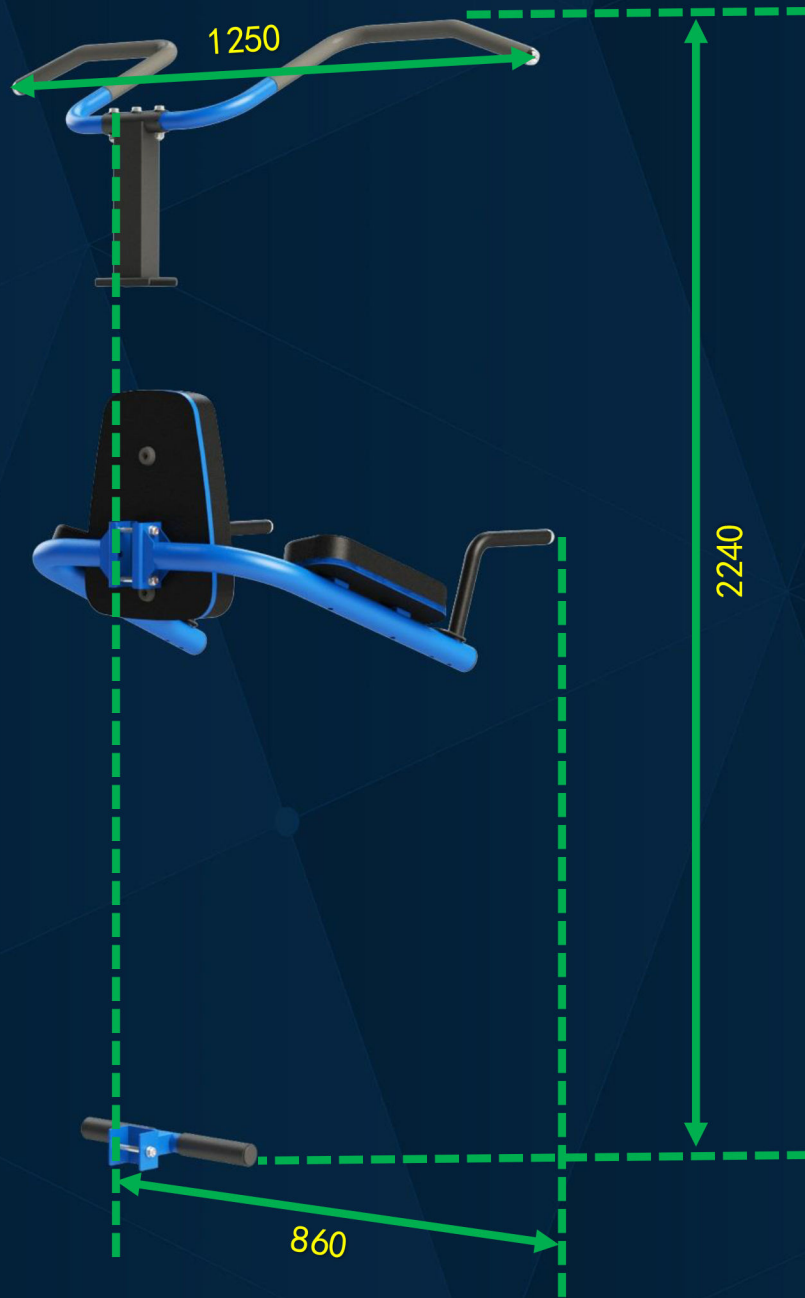


Unique butterfly design

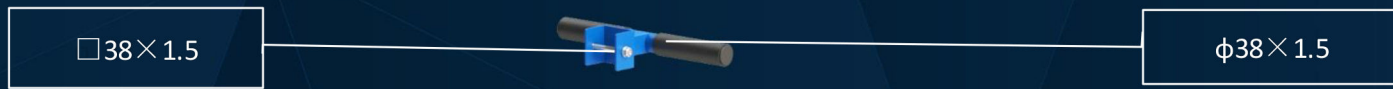
The arc butterfly machine is designed to swing arm structure backward, forming rowing, chest clamping and pushing the chest three in one function. In accordance with the ergonomics, the structure has realized the use of one machine. It breaks through the use of two sets of structures in the past, and the two groups of cable trends can realize the limitation of the three functions, reduce the cost and save the use space.



Assembled dimensions (mm)



Maximum weight & Main tube size



Characteristic



HDR long grip

Cushion



Arm cushion



Leg rack

Chin up

HDR long grip



Aluminium alloy end cap

Detail display

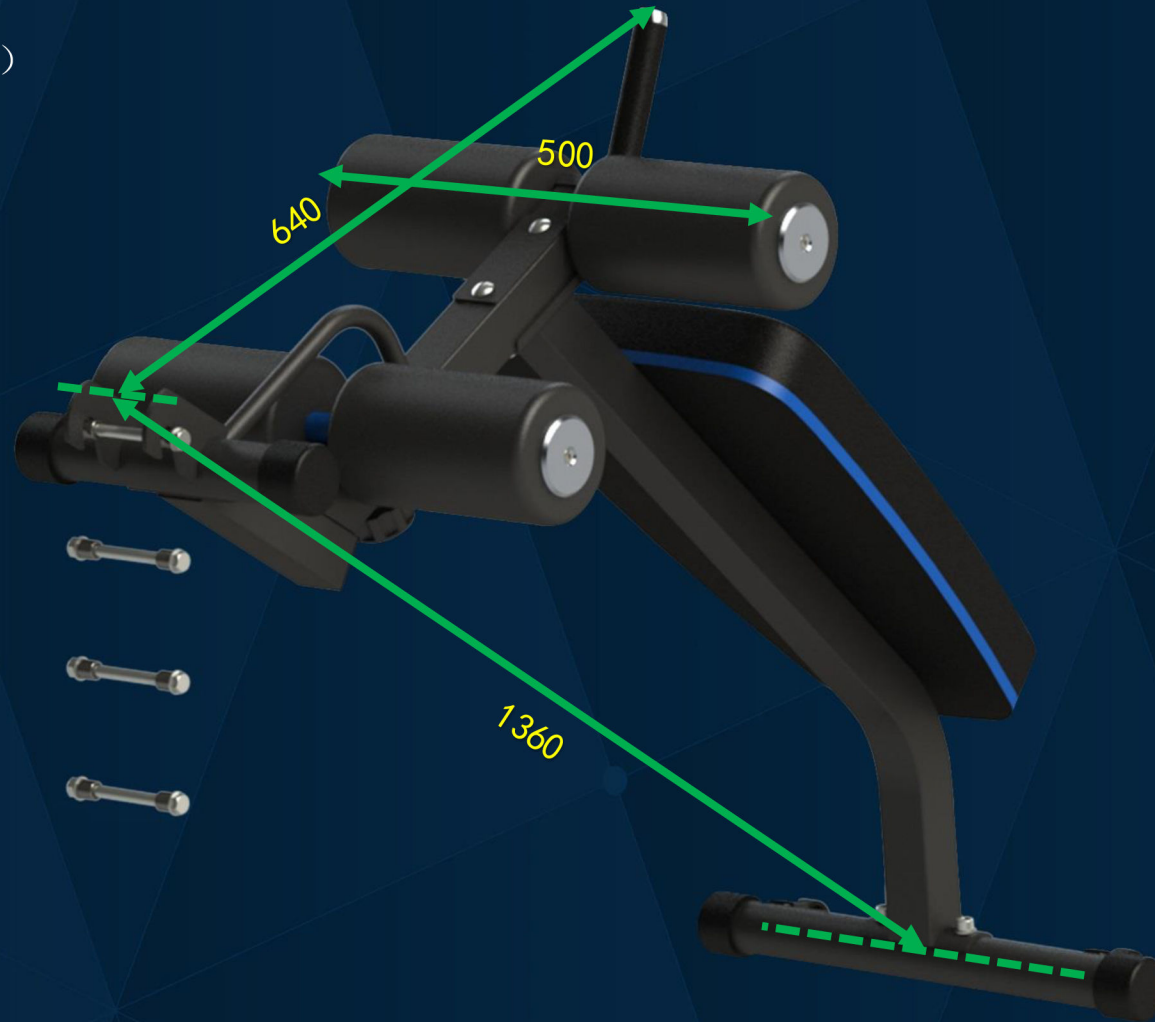


Comfortable leather pad

Aluminum alloy
end cap

Double blue color formed the unique production process.

Assembled dimensions (mm)



Maximum weight & Main tube size



Characteristic

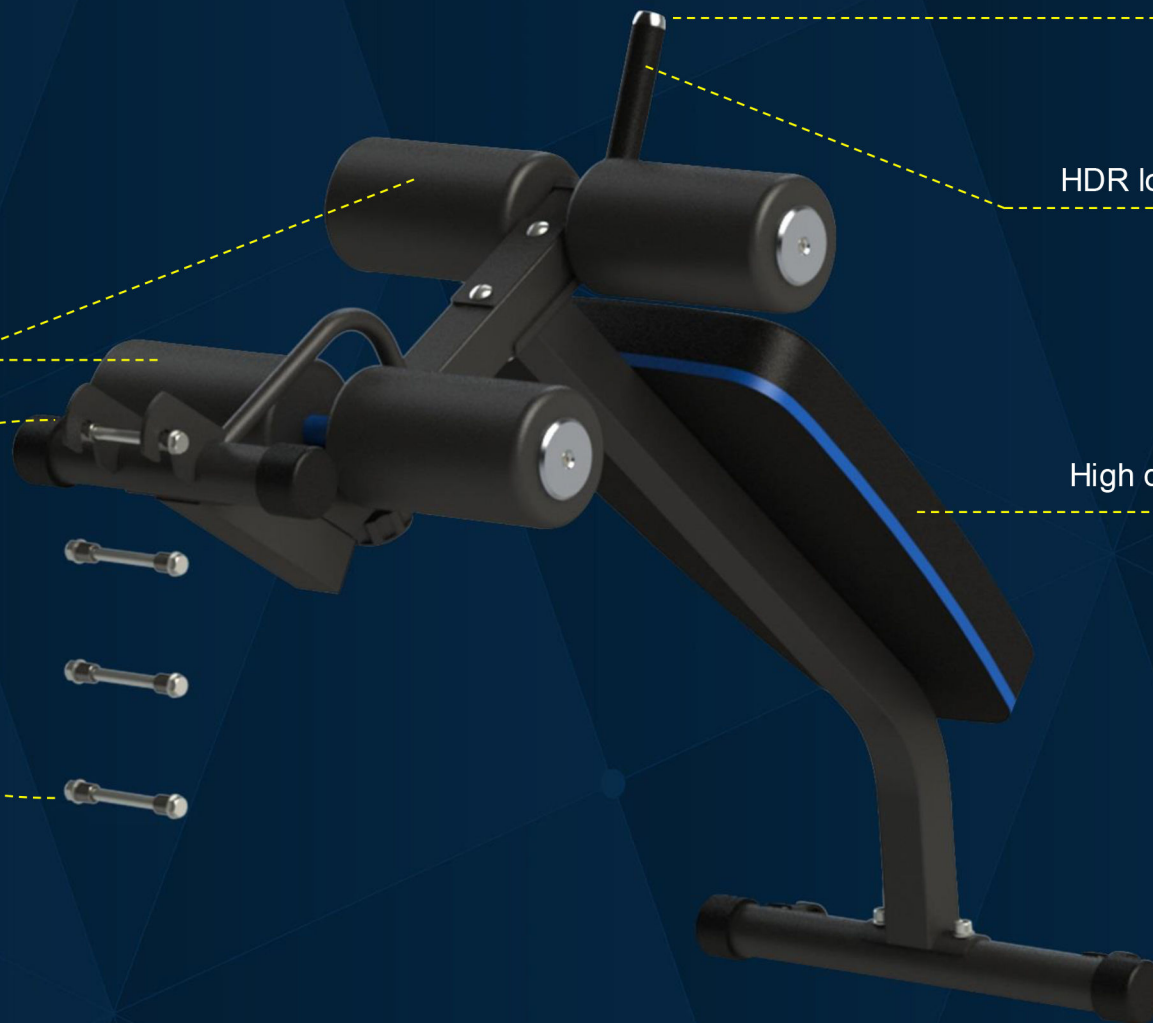
ABS chrome plated end cap

HDR long grip

Leather foam

High quality elastic cushion

Limit gear shaft



Easy to move the bench



Equipped with wear-resistant moving roller .



Detail display

HDR handle grip . Feel more comfortable.

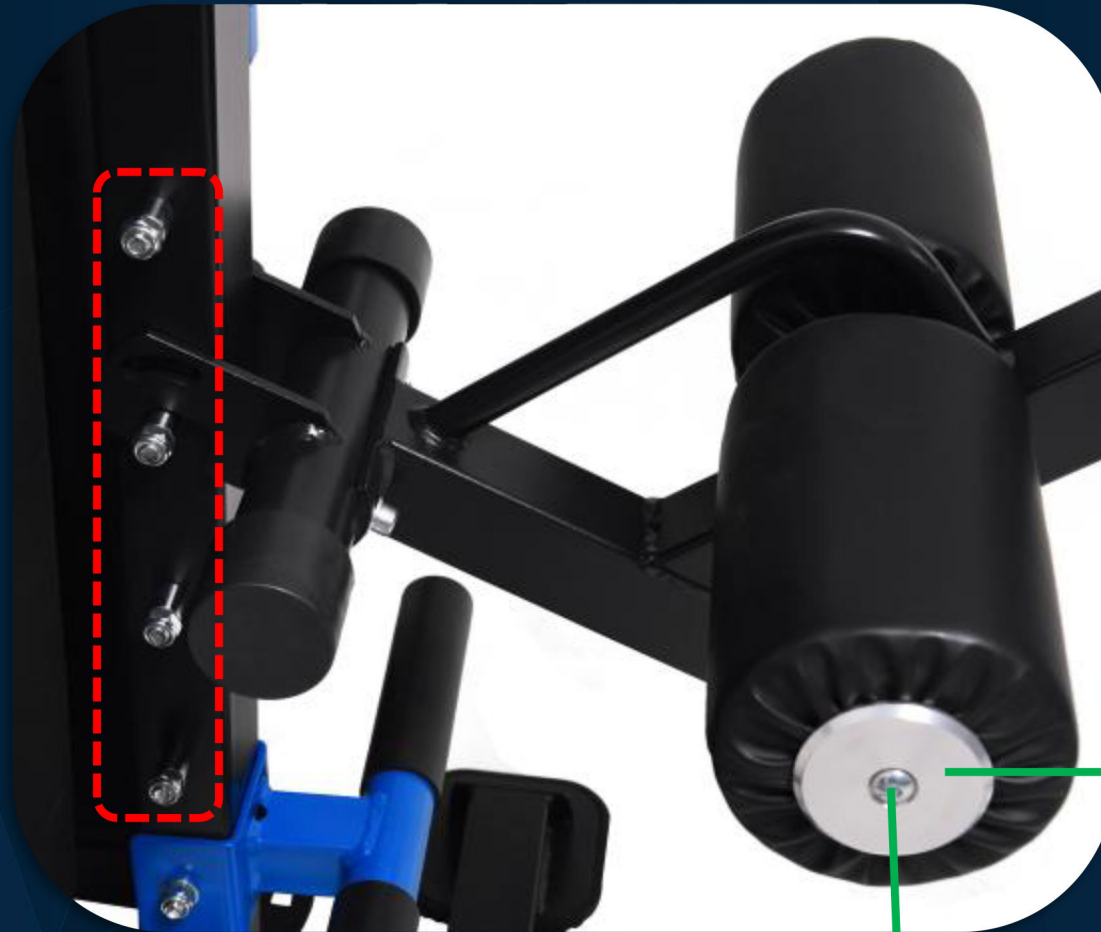


It uses top grade black fur with generous appearance, full and elastic.



Limit gear shaft

Using 4 limit gear shaft, the height of the bench can be flexibly adjusted according to different height training.



Aluminum alloy FOAM block .

The hexagon sunk head screws are fixed in the FOAM tube to make the leather FOAM more stable.