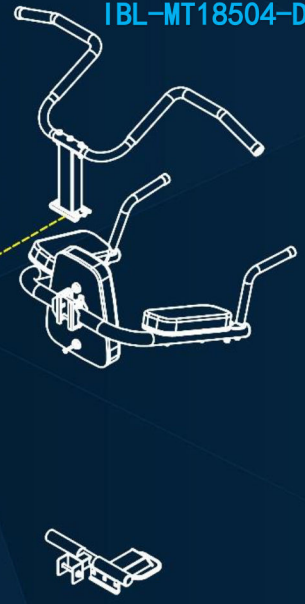


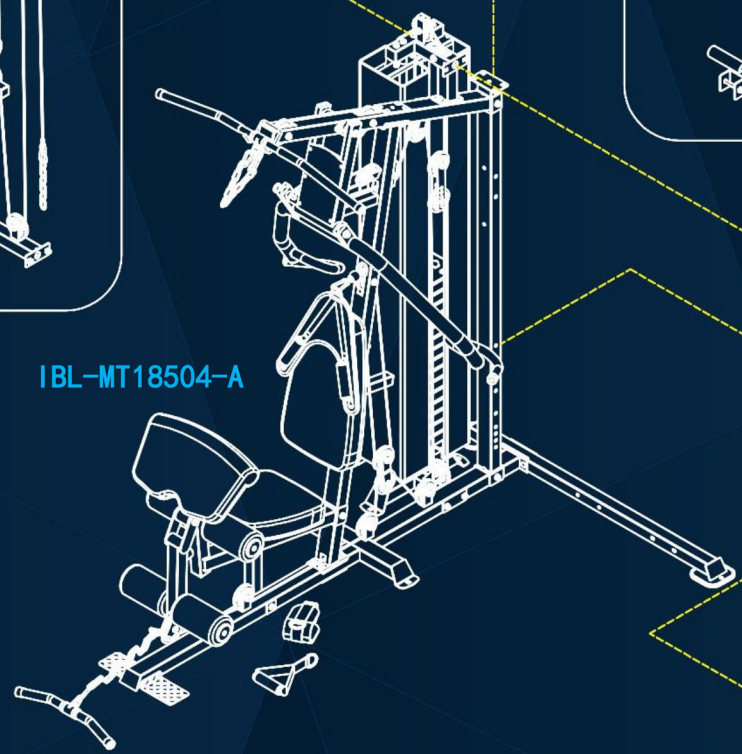
IBL-MT18504-D



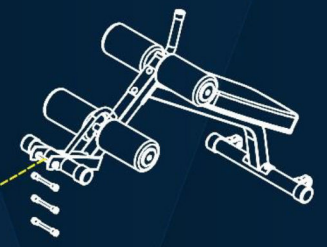
IBL-MT18504-C



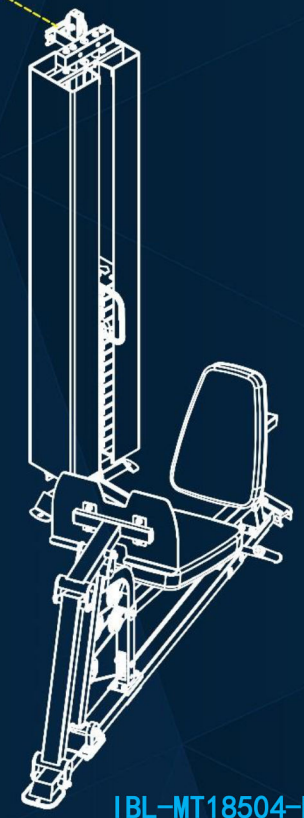
IBL-MT18504-A



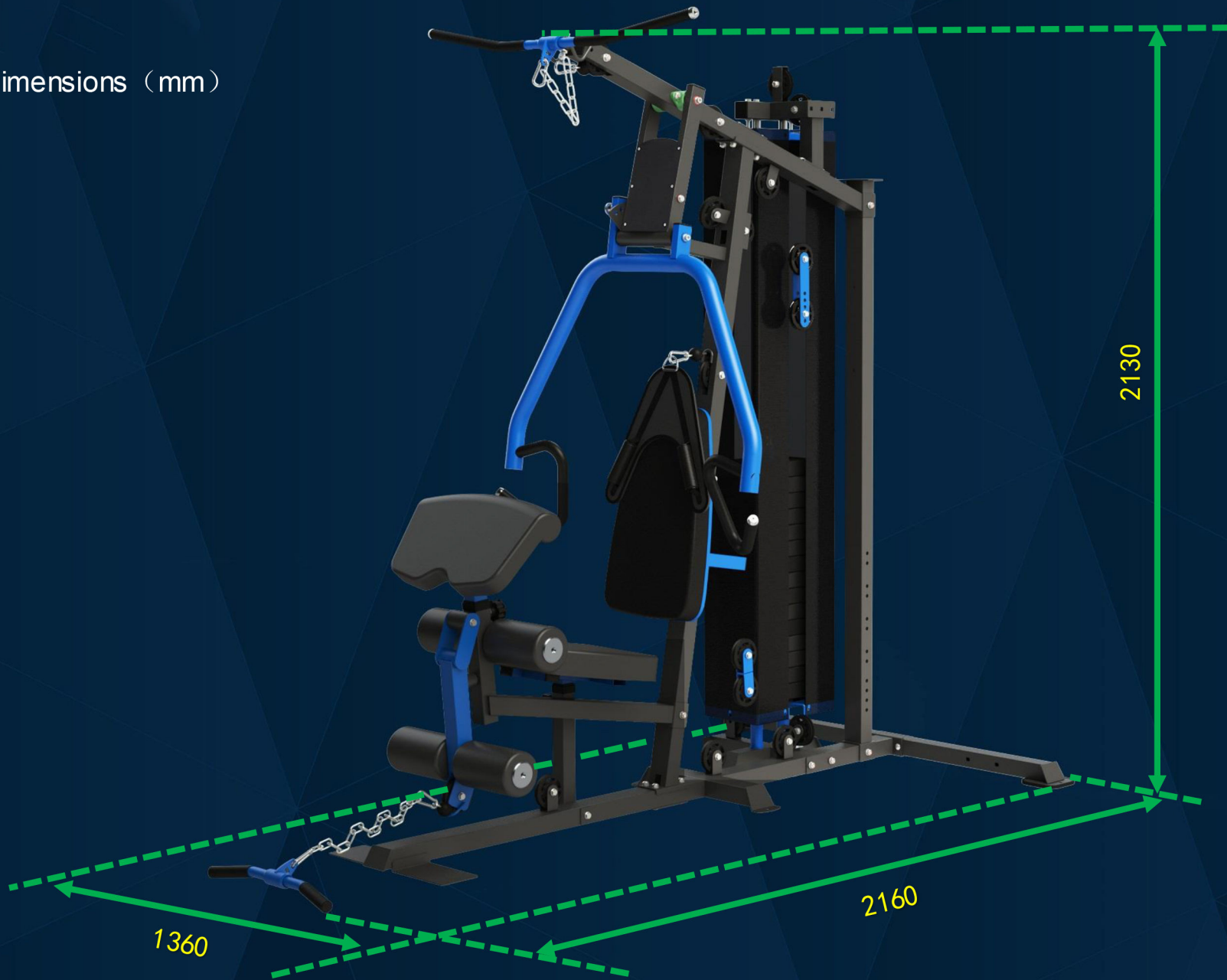
IBL-MT18504-E



IBL-MT18504-B



Assembled dimensions (mm)



## Maximum weight & Main tube size

$\phi 25 \times 2$

$\square 25 \times 50 \times 2$

$\Phi 50 \times 2$

$\Phi 25 \times 2$

$\square 50 \times 2$

$\phi 25 \times 2$

$50 \times 70 \times 1.5$

$\square 50 \times 2$

$45 \times 2.5$

Maximum user weight: 300lbs

Maximum weight capacity  
(including user weight): 600lbs

$\square 50 \times 2$

$\square 50 \times 70 \times 2$

$\square 50 \times 70 \times 2.5$

$\square 50 \times 70 \times 2$

$\square 50 \times 1.5$

$\square 50 \times 70 \times 2$



## Characteristic

HDR grip

Arc butterfly design

Adjustable backrest pad

Adjustable arm curl pad

Leather foam

Non-slip metal footplate

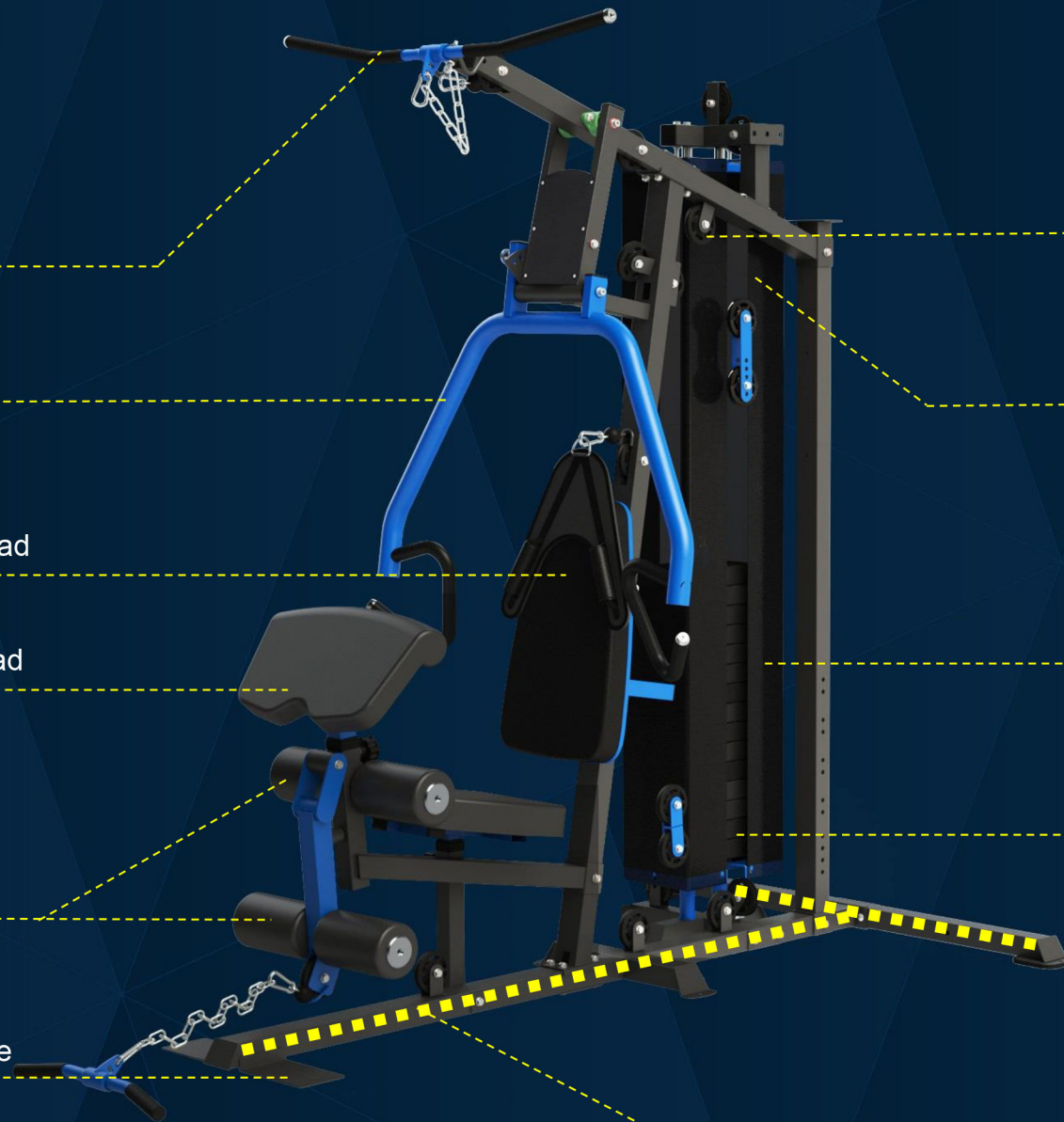
Super flexible PP pulley ( Same as bumper material )

Cable diameter: 5mm

Canvas shield not only has the protection effect but also increases the stability of the machine.

weight stack is  
 $5\text{kg} \times 15 = 75\text{kg}$

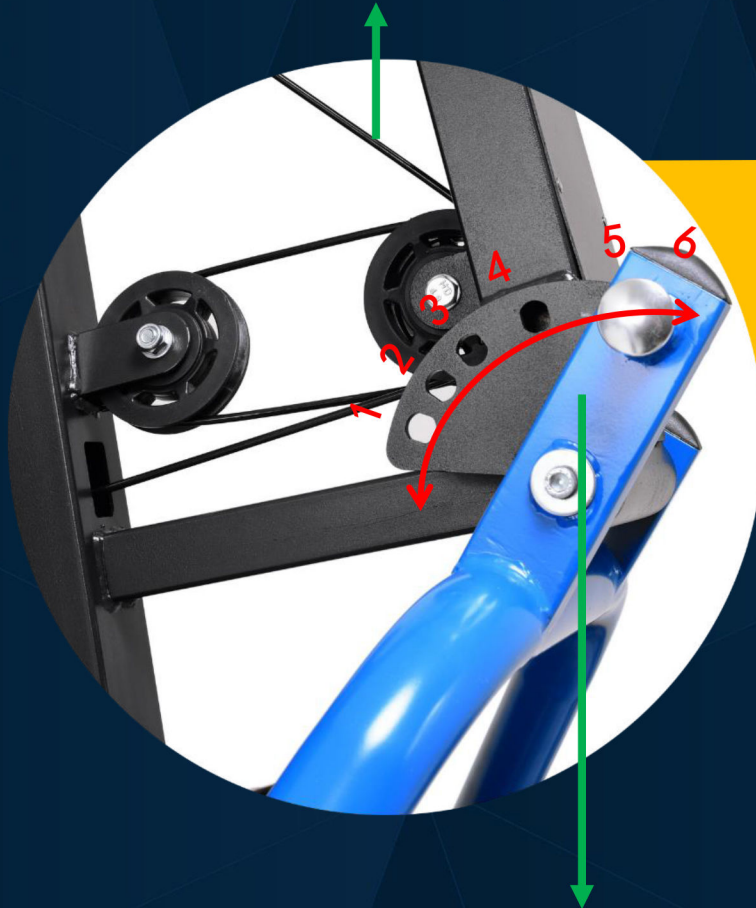
T super stable base





## Adjustable butterfly

Ø5mm Cable . Pass through 800 kg tension test. The cable is tensile, wear-resisting and safe.



6 adjustable butterfly machine can do both chest and back exercise by adjusting position.



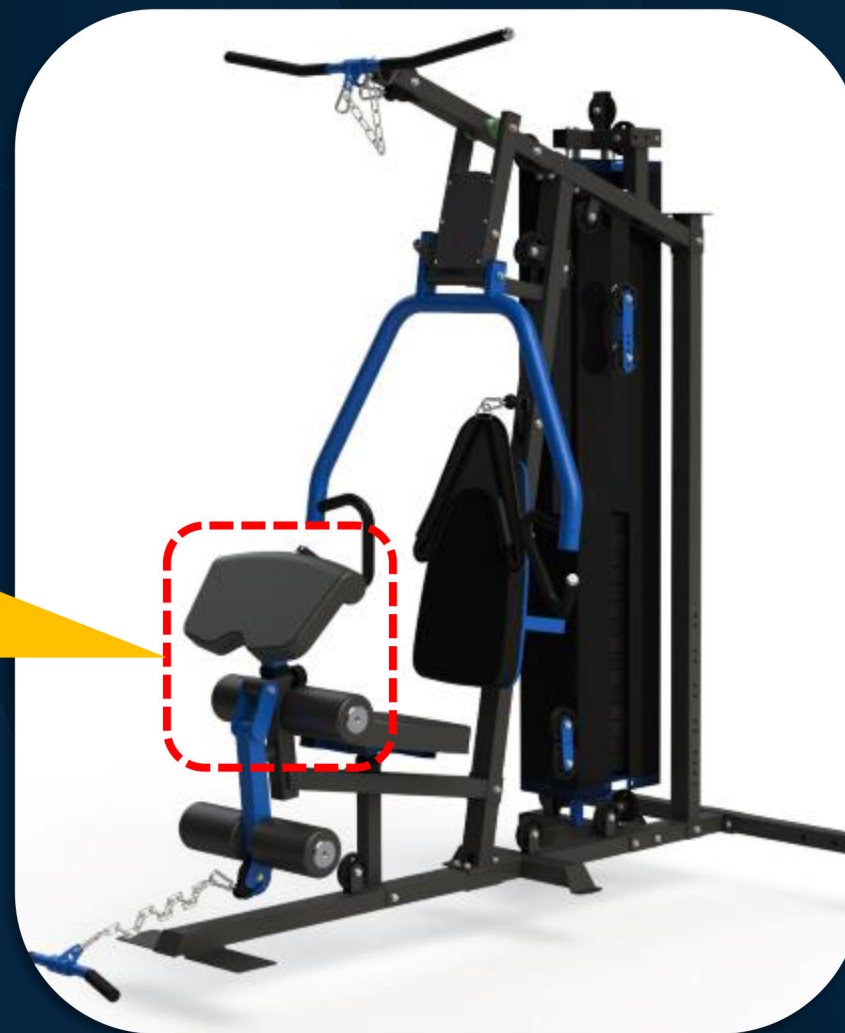
Adjustable arm curl pad

Double blue color formed the unique production process.

2 position to adjust the height of arm curl pad. Please adjust towards this direction.



High elastic leg foam

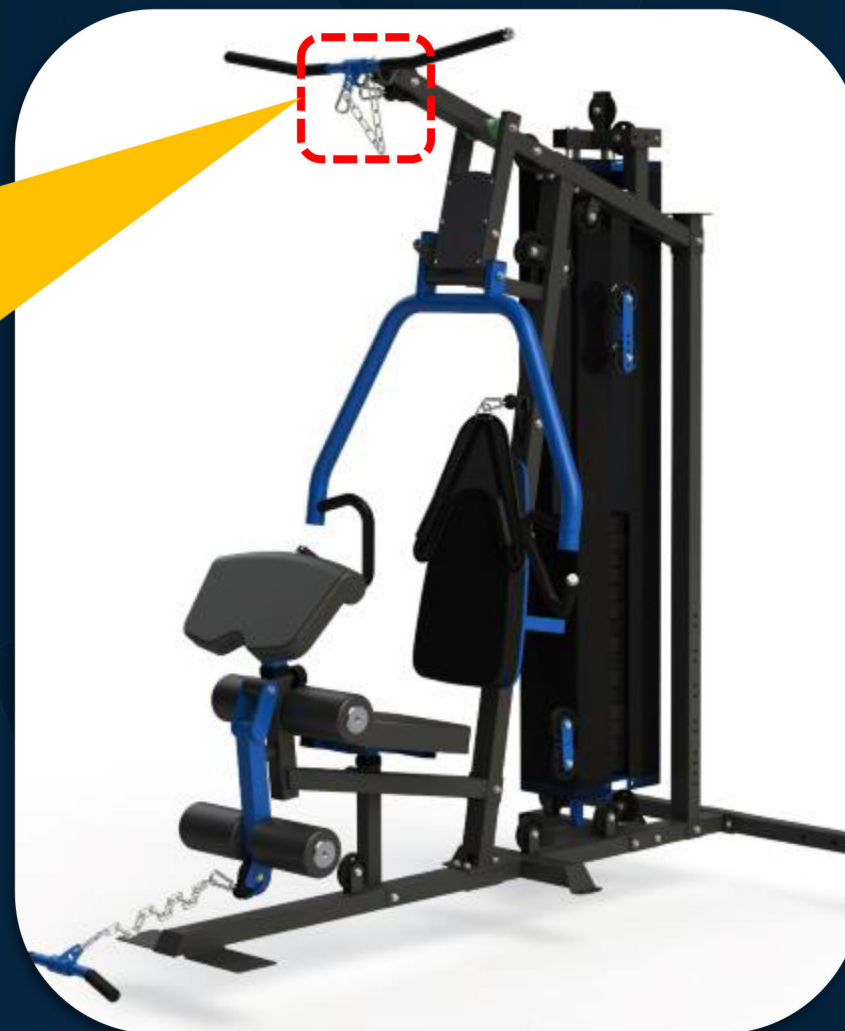


Detail display

Galvanized gourd hook can be easily adjusted.

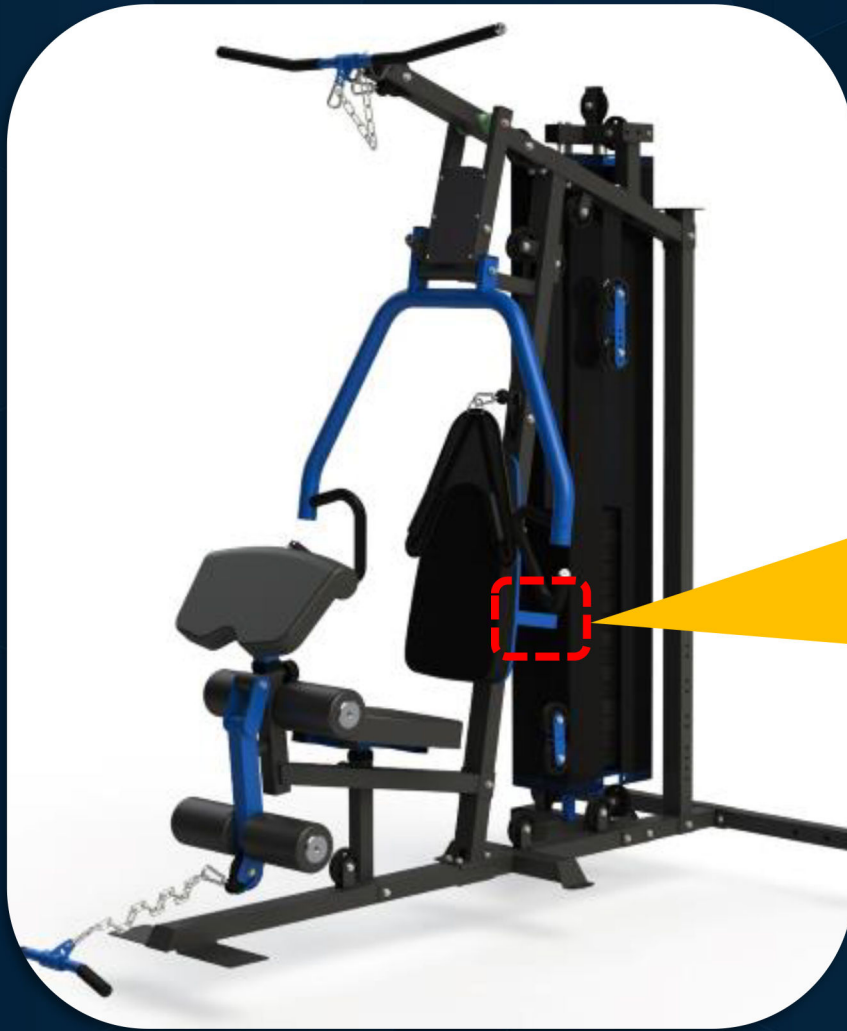


10 ring adjustable iron chain can meet different training needs.

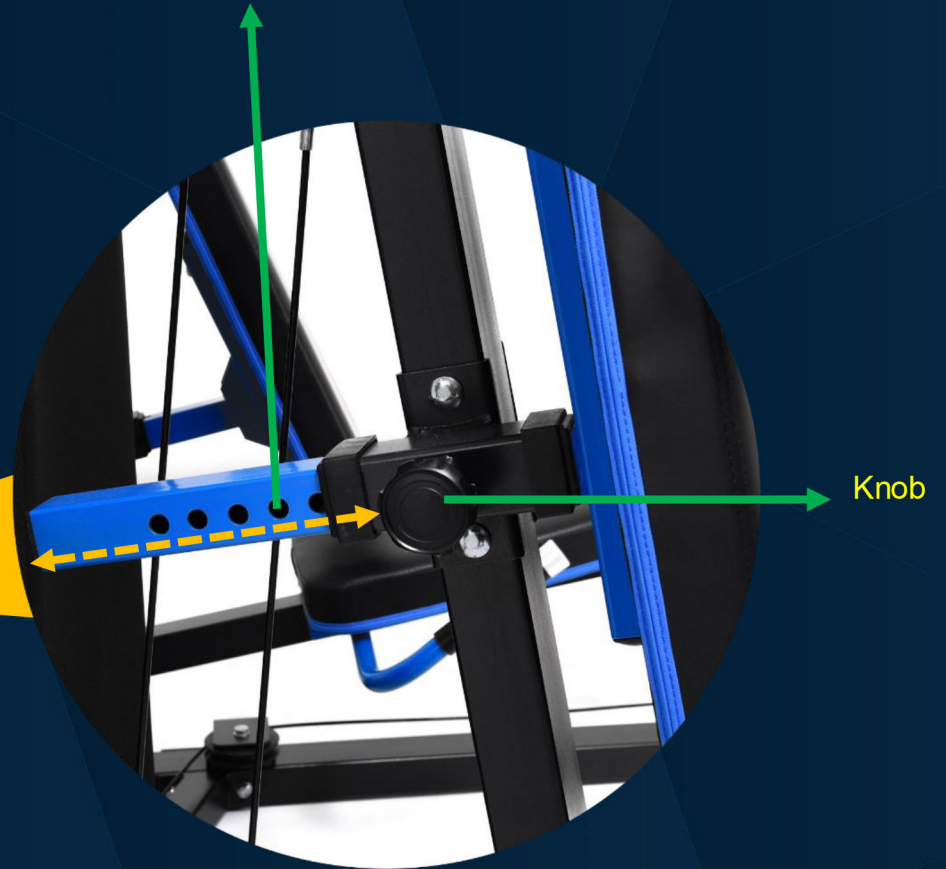




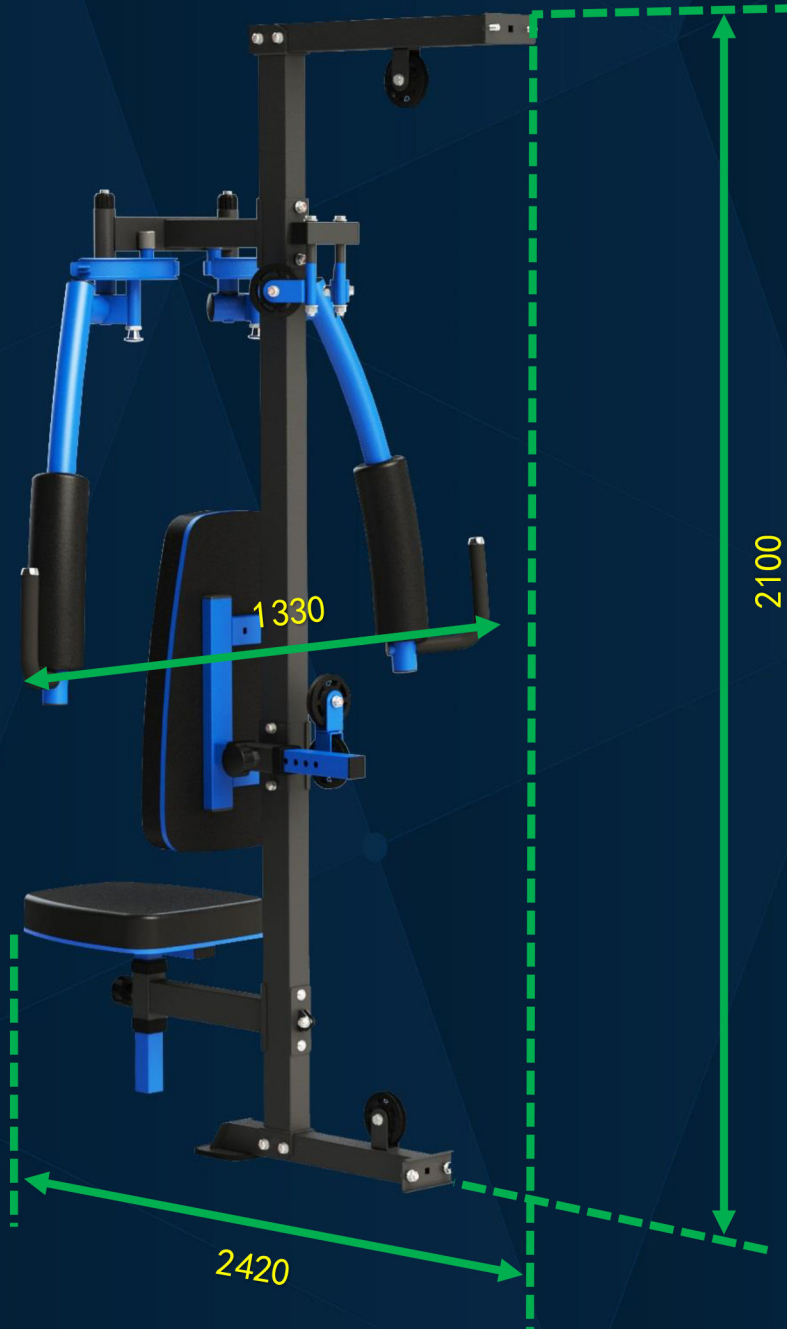
## Adjustable backrest pad



6 position adjustable backrest pad can meet the different height users.

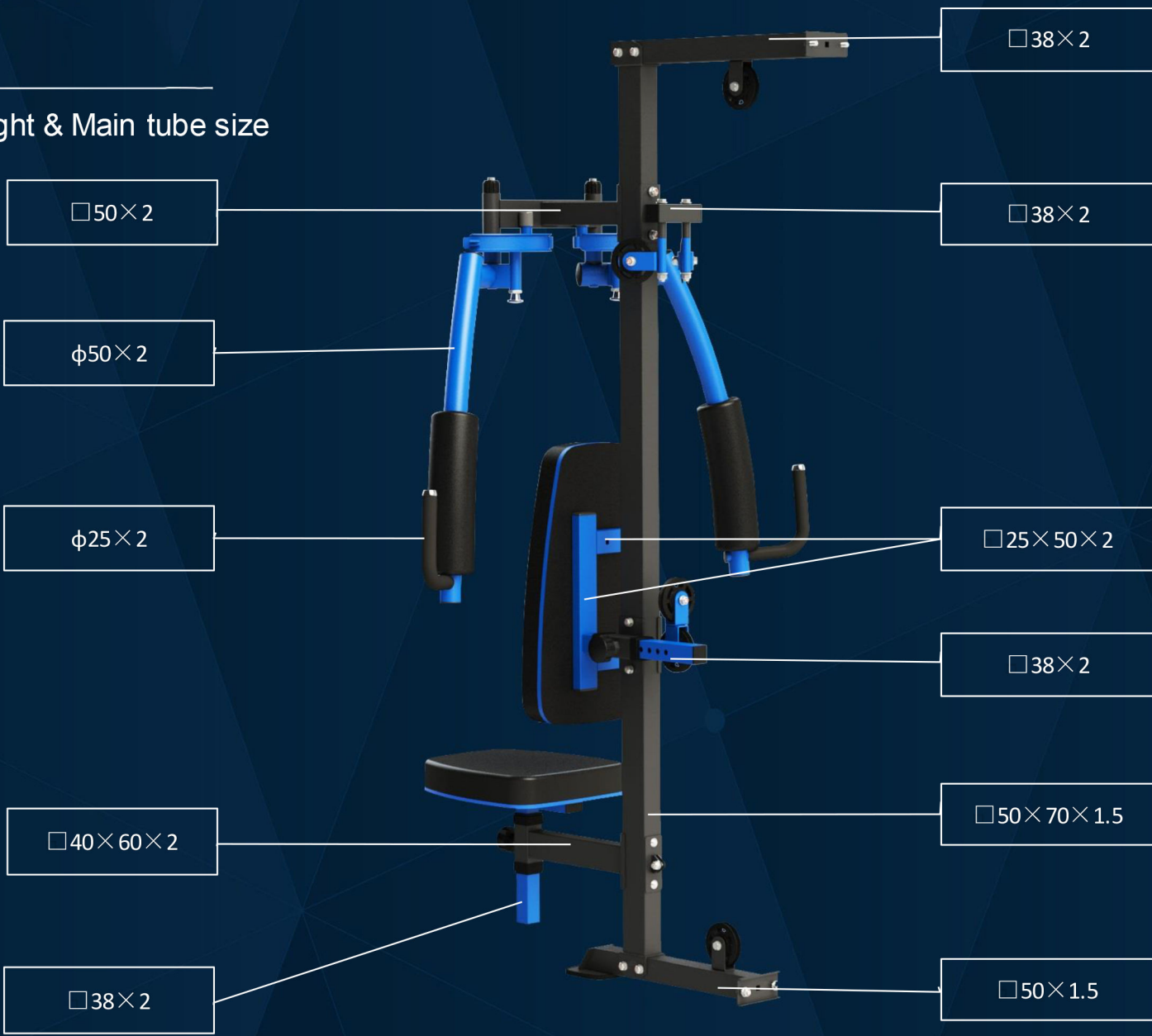


Assembled dimensions (mm)





Maximum weight & Main tube size





Characteristic

Leather foam

Adjustable backrest pad

Adjustable cushion

Cushion frame



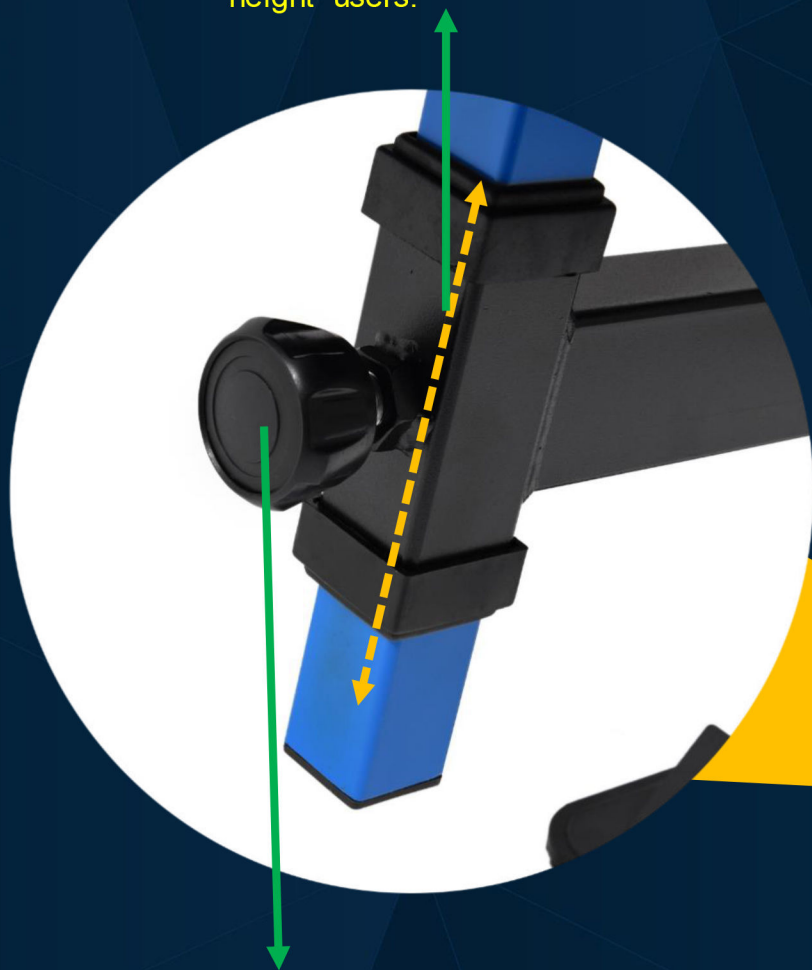
HDR grip

Backrest pad frame

Super flexible PP pulley ( Same bumper material )

## Adjustable cushion

5 position adjustment can meet the different height users.



Round knob, easy to be adjustable.



## Reinforced base

It's more stable with increasing the contact area between the base and ground.





## Adjustable butterfly

5 position adjustment design can meet the different height users.



Zinc plated  
Lock Pin



Training the chest and back with adjustable butterfly

Detail display

Comfortable leather. reduce noise

Aluminium alloy end cap



## Backrest pad frame



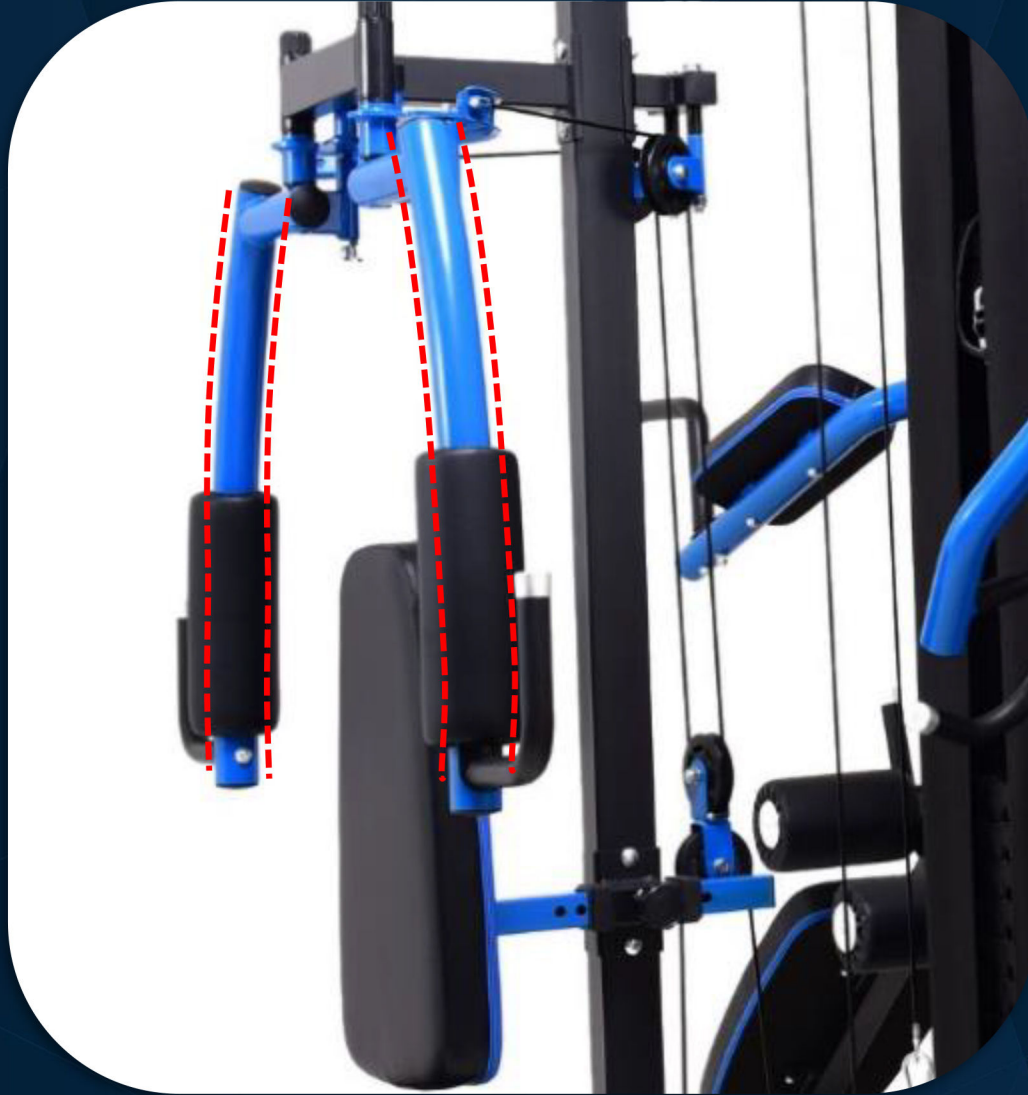
8 position adjustment can meet the different height users.



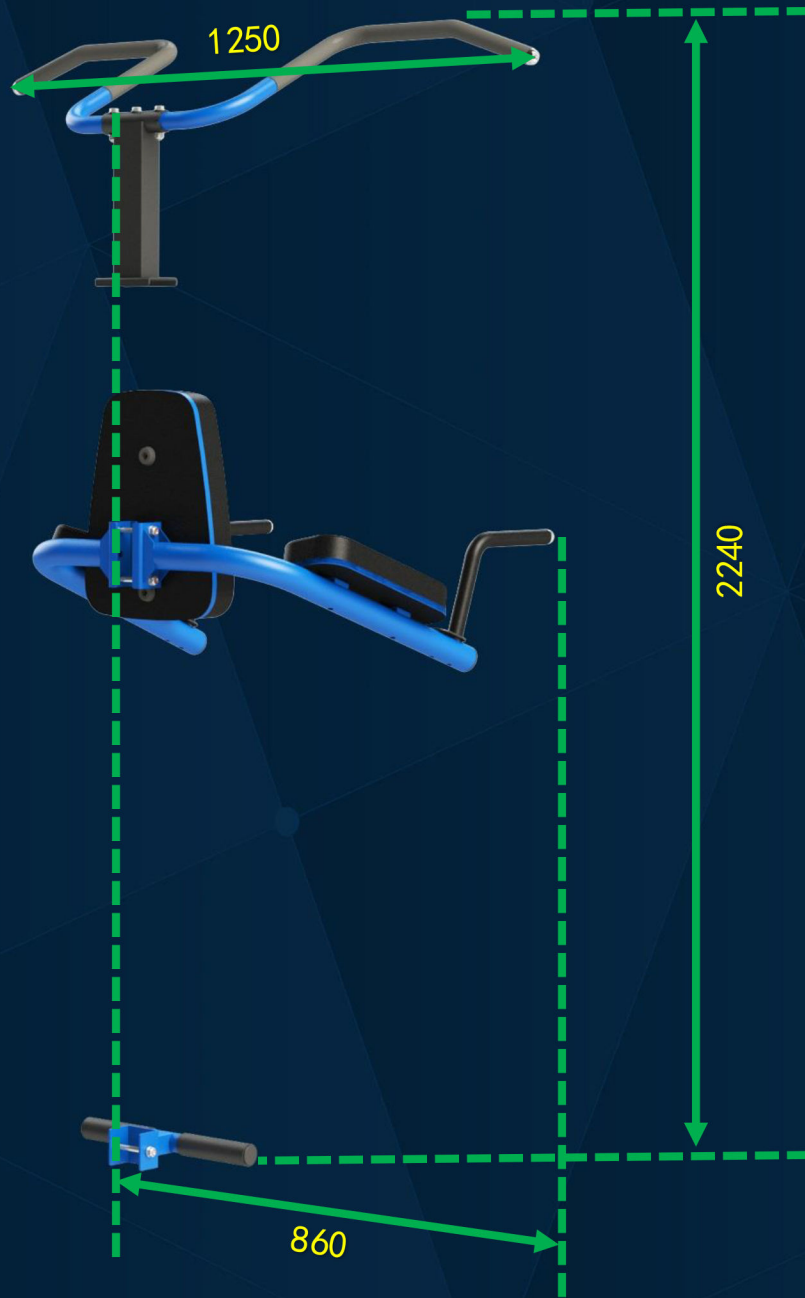


## Unique butterfly design

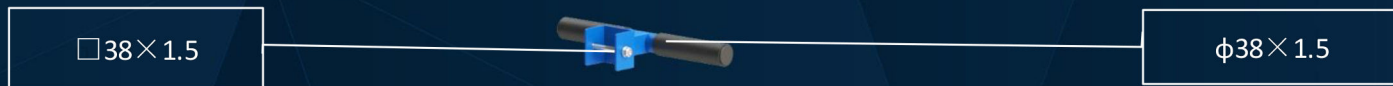
The arc butterfly machine is designed to swing arm structure backward, forming rowing, chest clamping and pushing the chest three in one function. In accordance with the ergonomics, the structure has realized the use of one machine. It breaks through the use of two sets of structures in the past, and the two groups of cable trends can realize the limitation of the three functions, reduce the cost and save the use space.



Assembled dimensions (mm)



Maximum weight & Main tube size



Characteristic



HDR long grip

Cushion



Arm cushion



Leg rack



Chin up

HDR long grip



Aluminium alloy end cap

Detail display



Comfortable leather pad

Aluminum alloy  
end cap

Double blue color formed the unique production process.