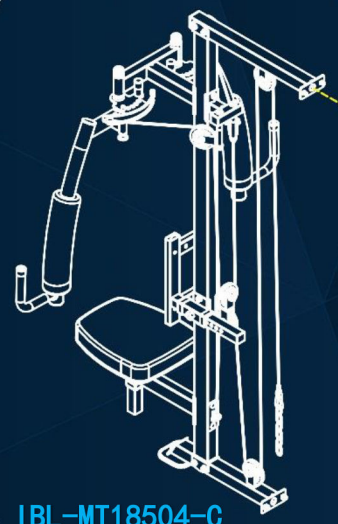
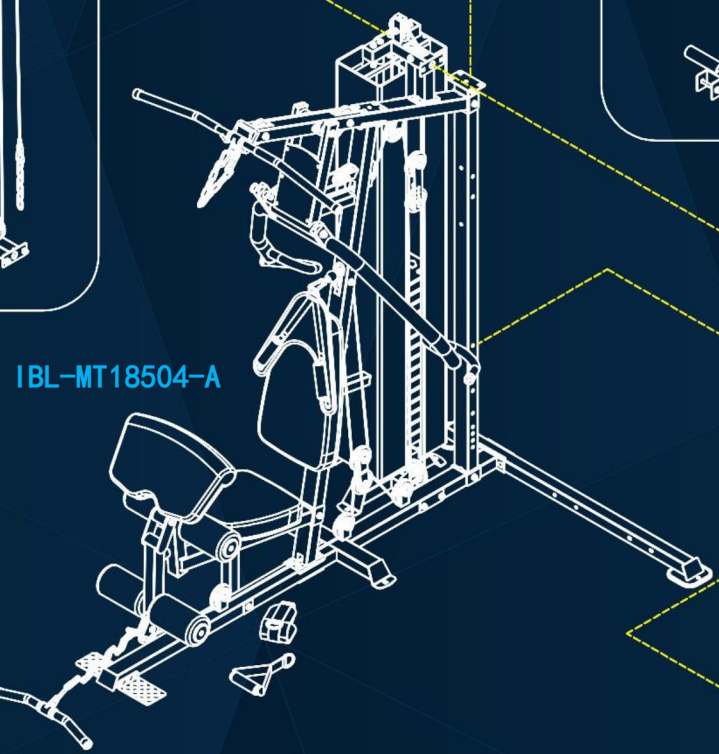


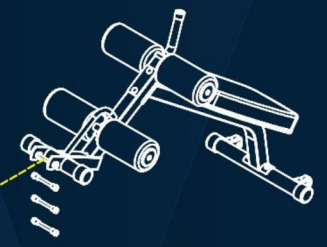
IBL-MT18504-D



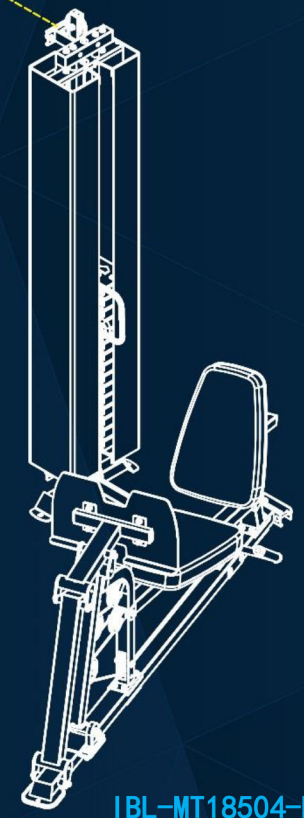
IBL-MT18504-C



IBL-MT18504-A

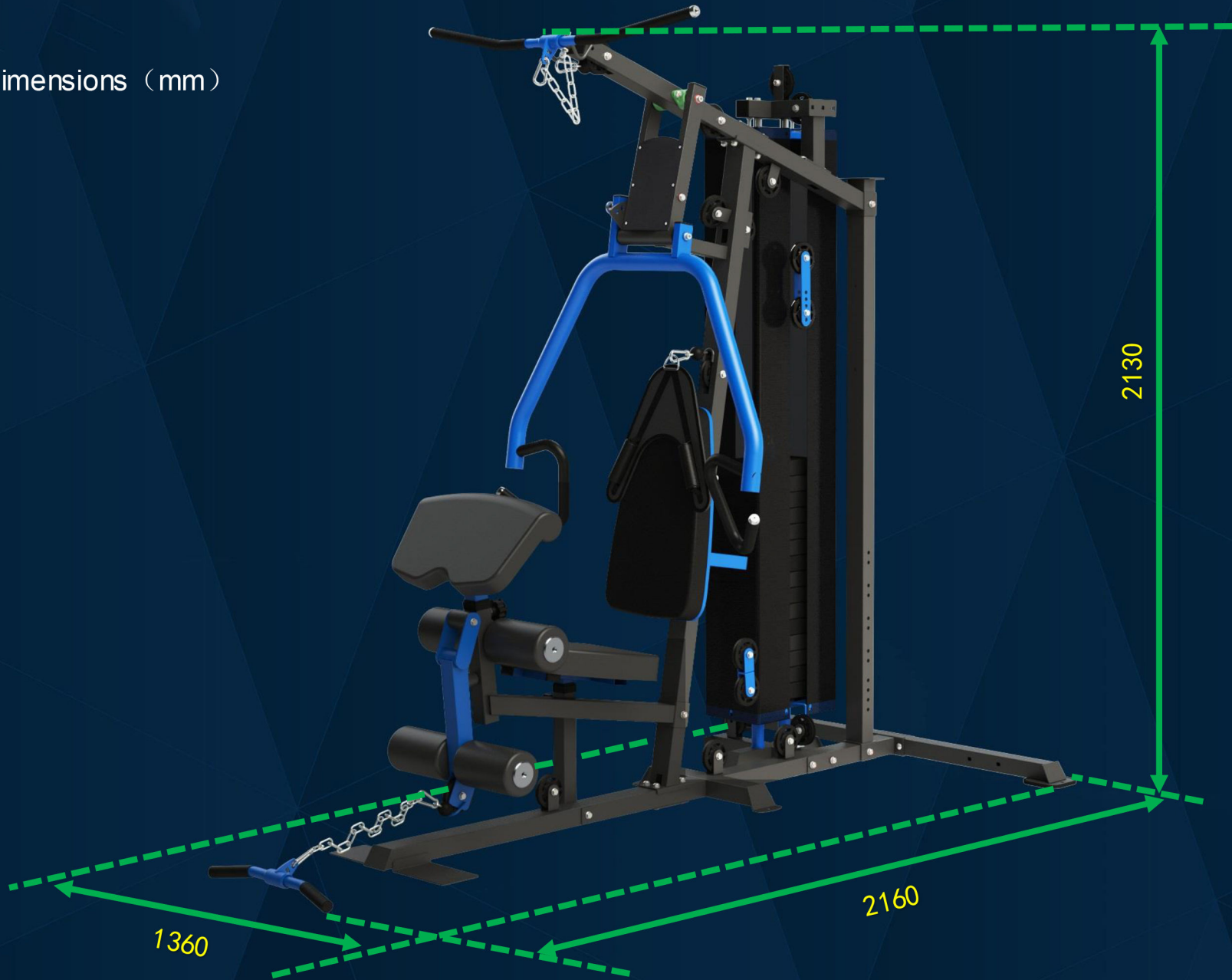


IBL-MT18504-E



IBL-MT18504-B

Assembled dimensions (mm)



1360

2160

2130

Maximum weight & Main tube size

$\phi 25 \times 2$

$\square 25 \times 50 \times 2$

$\Phi 50 \times 2$

$\Phi 25 \times 2$

$\square 50 \times 2$

$\phi 25 \times 2$

$50 \times 70 \times 1.5$

$\square 50 \times 2$

45×2.5

Maximum user weight:300lbs

Maximum weight capacity
(including user weight): 600lbs

$\square 50 \times 2$

$\square 50 \times 70 \times 2$

$\square 50 \times 70 \times 2.5$

$\square 50 \times 70 \times 2$

$\square 50 \times 1.5$

$\square 50 \times 70 \times 2$

Characteristic

HDR grip

Arc butterfly design

Adjustable backrest pad

Adjustable arm curl pad

Leather foam

Non-slip metal footplate

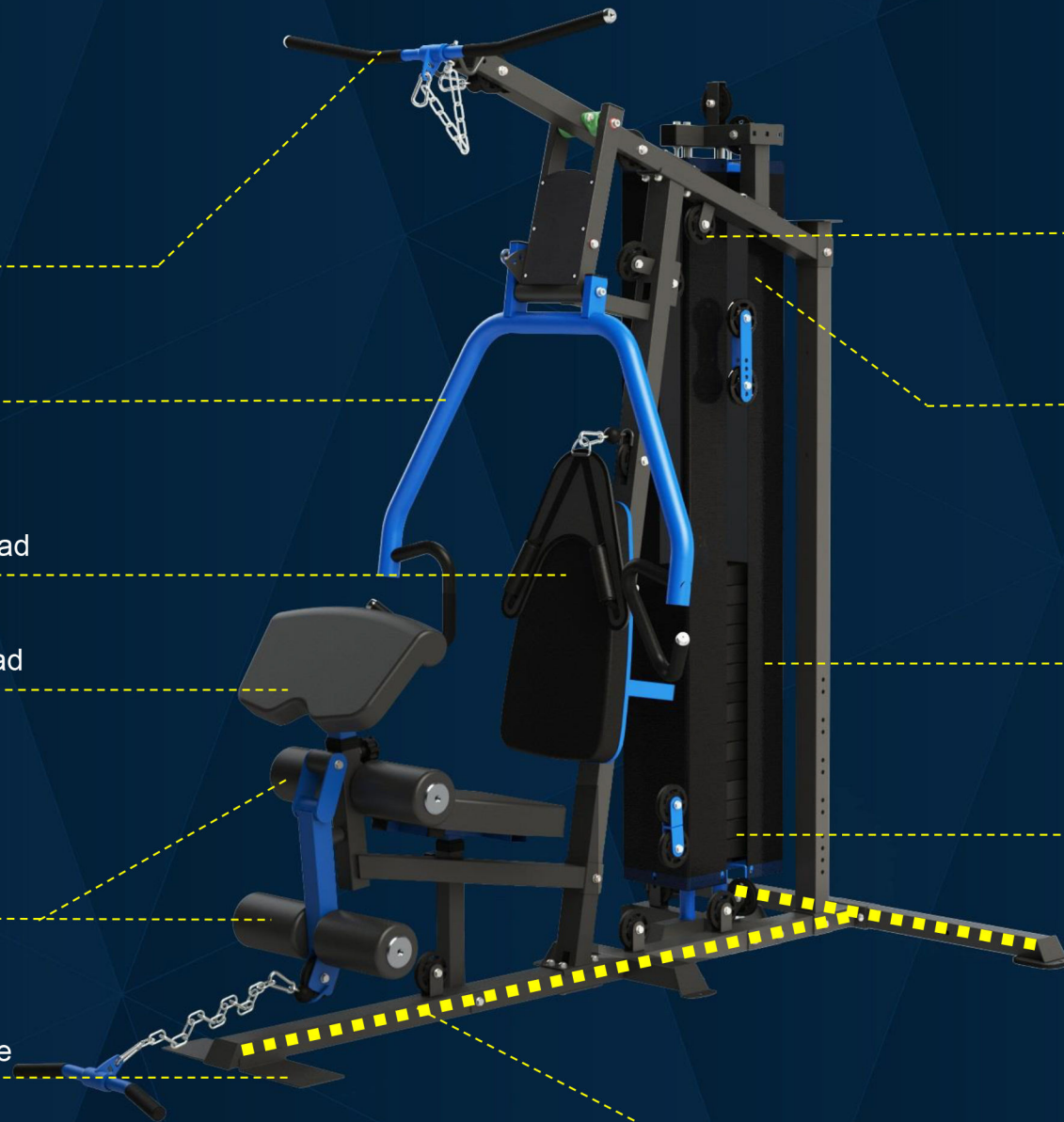
Super flexible PP pulley (Same as bumper material)

Cable diameter: 5mm

Canvas shield not only has the protection effect but also increases the stability of the machine.

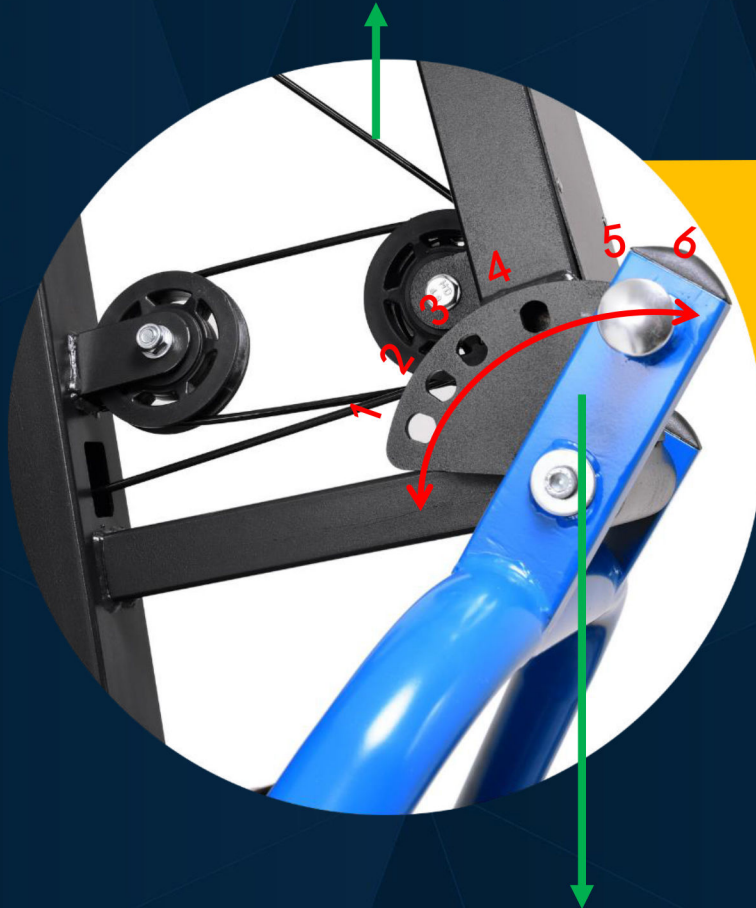
weight stack is
 $5\text{kg} \times 15 = 75\text{kg}$

T super stable base



Adjustable butterfly

Ø5mm Cable . Pass through 800 kg tension test. The cable is tensile, wear-resisting and safe.



6 adjustable butterfly machine can do both chest and back exercise by adjusting position.



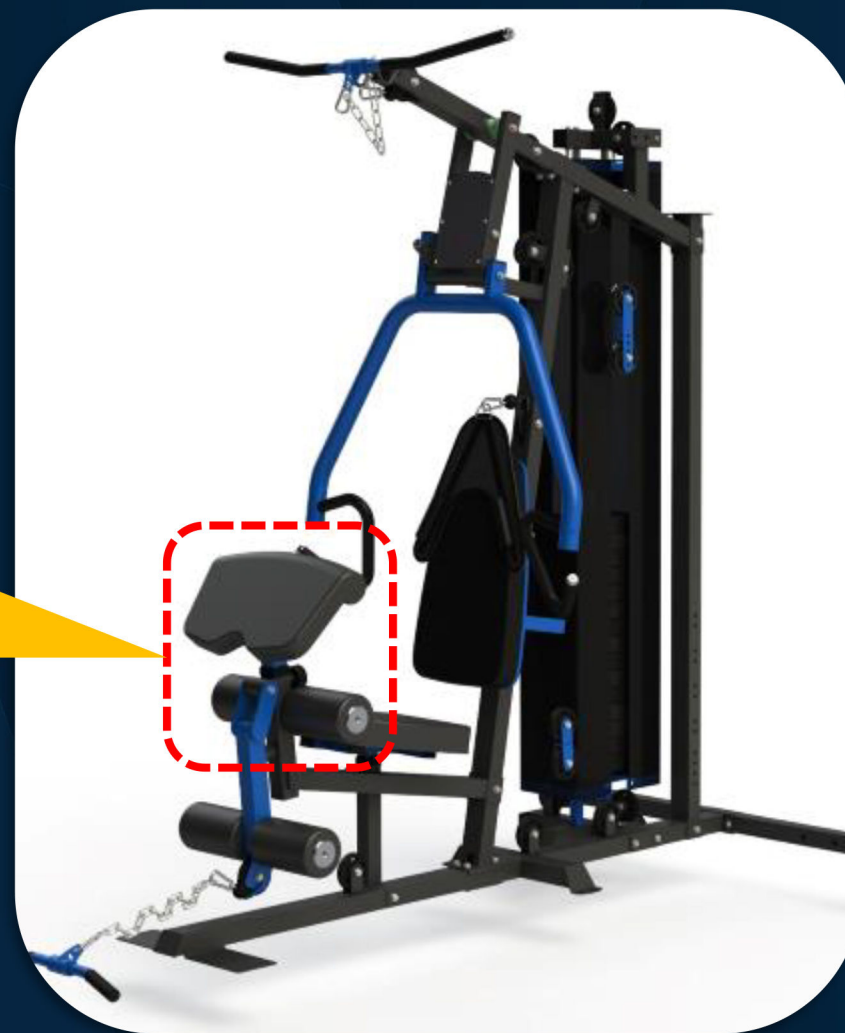
Adjustable arm curl pad

Double blue color formed the unique production process.

2 position to adjust the height of arm curl pad. Please adjust towards this direction.



High elastic leg foam

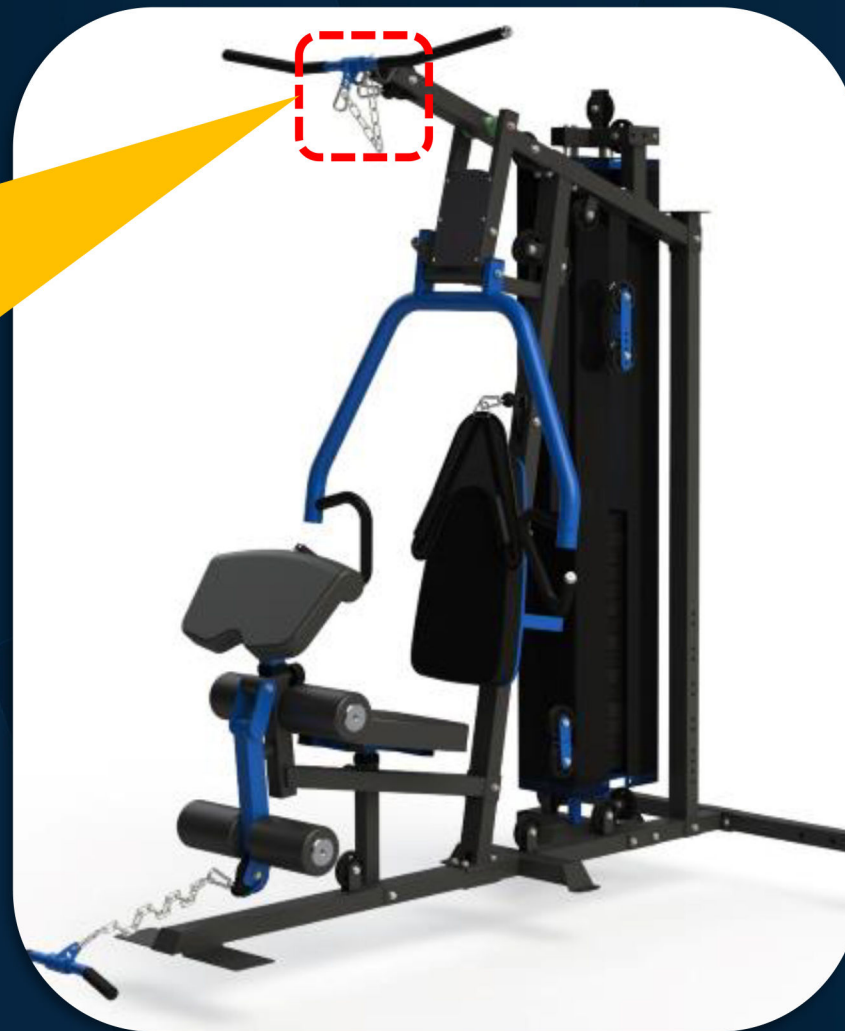


Detail display

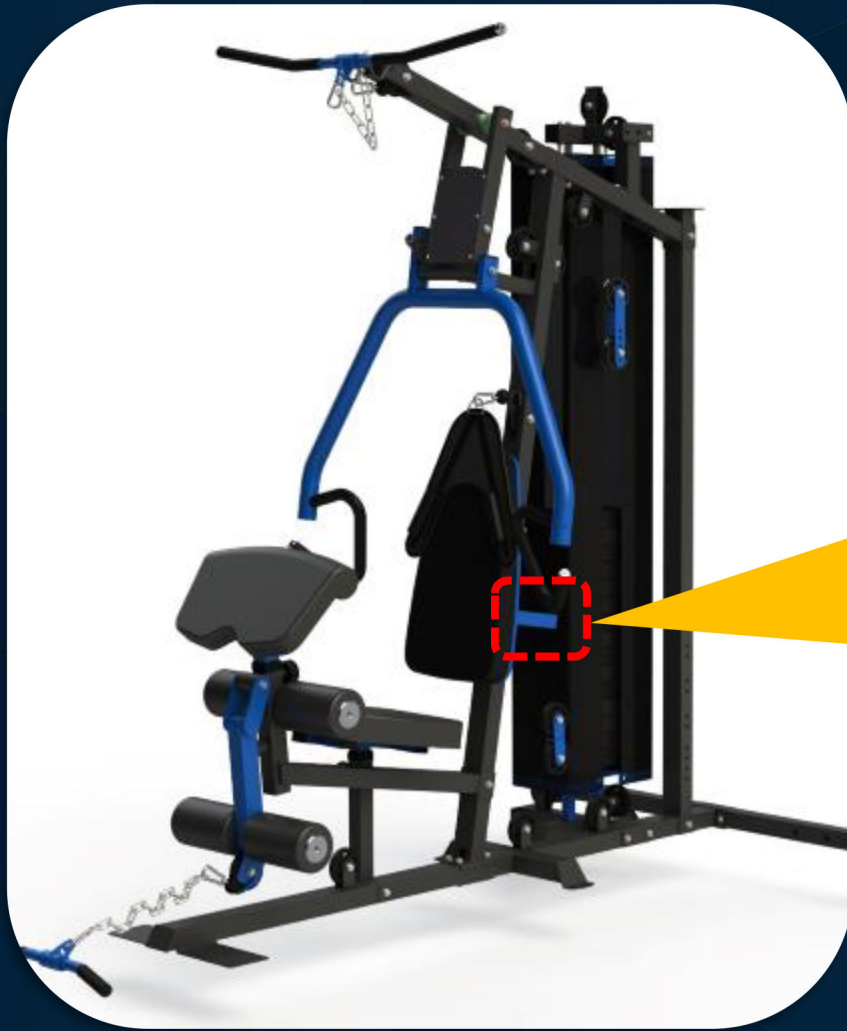
Galvanized gourd hook can be easily adjusted.



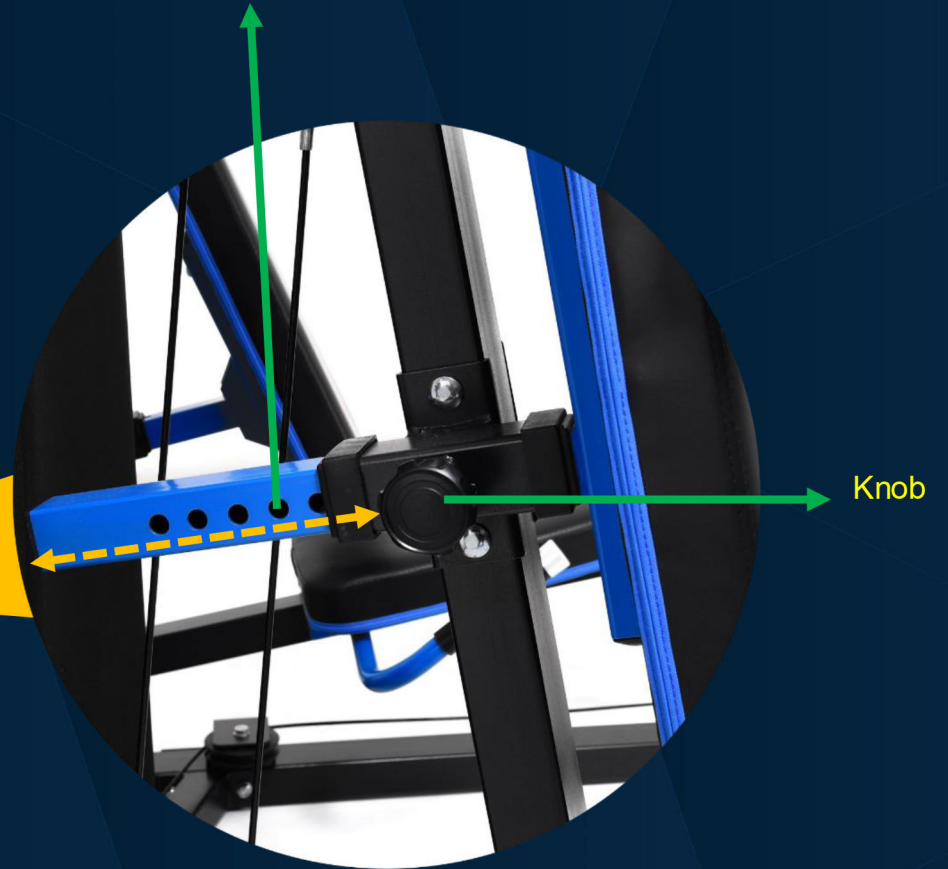
10 ring adjustable iron chain can meet different training needs.



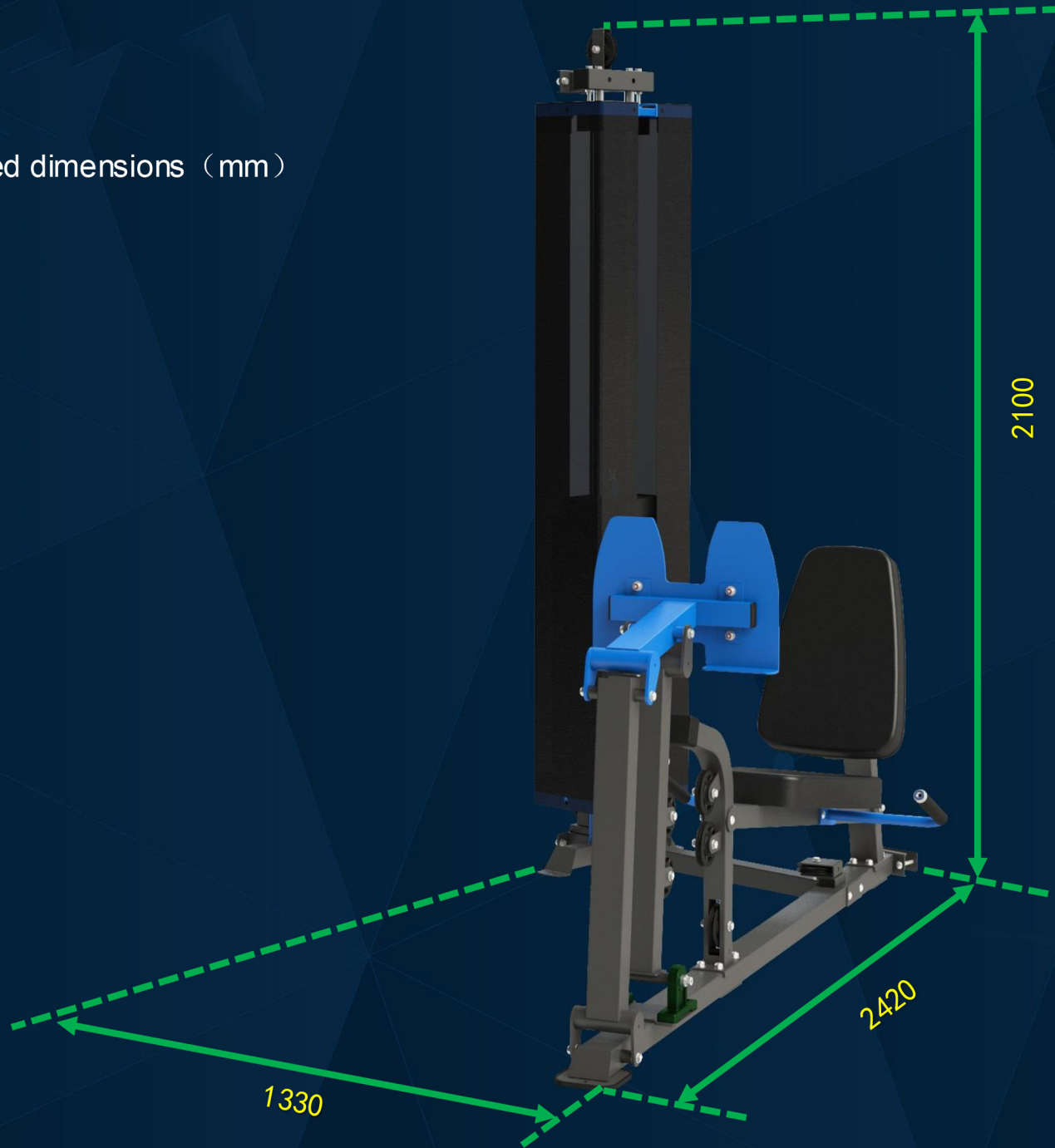
Adjustable backrest pad



6 position adjustable backrest pad can meet the different height users.



Assembled dimensions (mm)

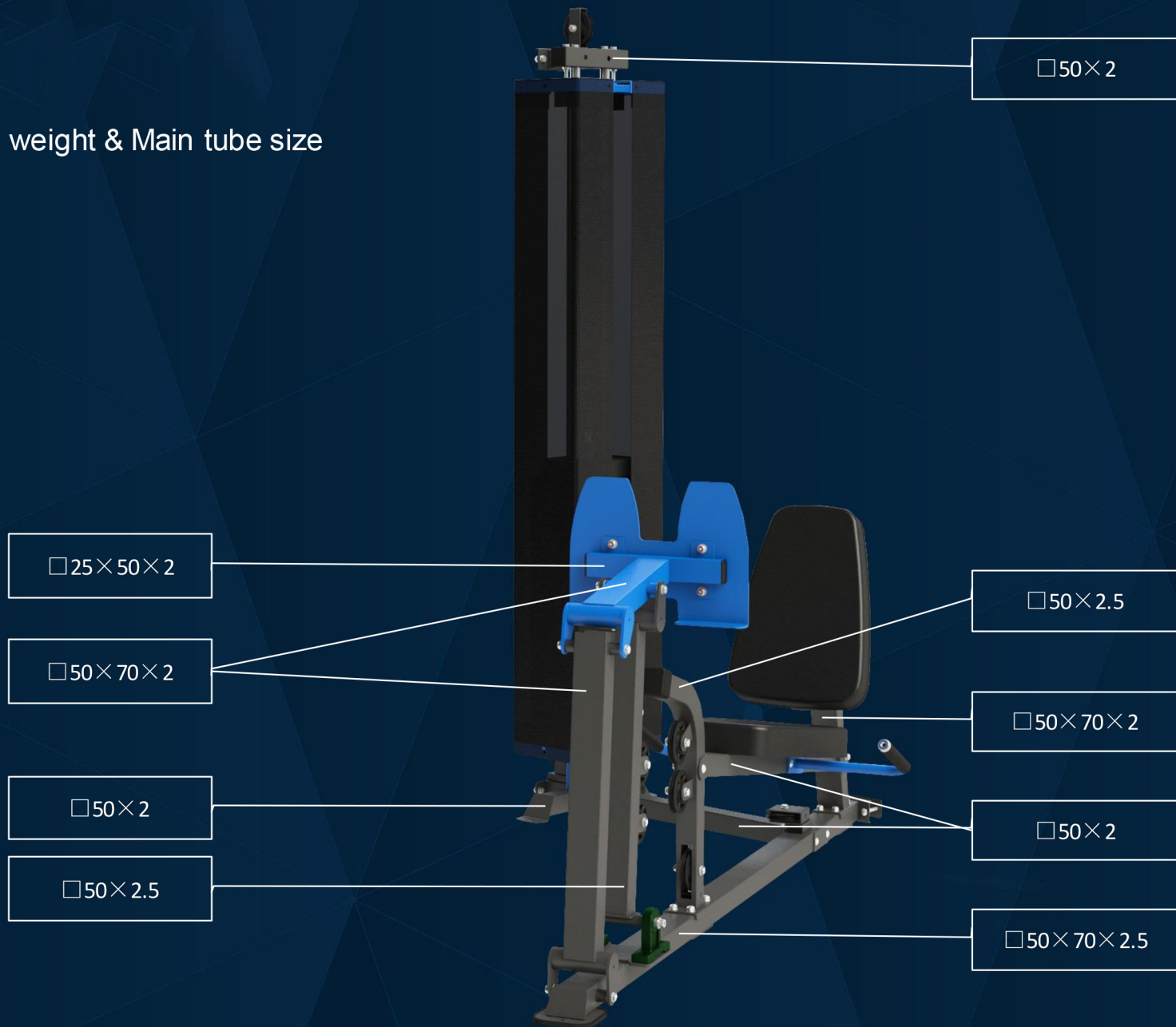


2100

2420

1330

Maximum weight & Main tube size



Characteristic

Cable diameter: 5mm

Canvas shield not only has the protection effect but also increases the stability of the machine.

Non-slip metal footplate

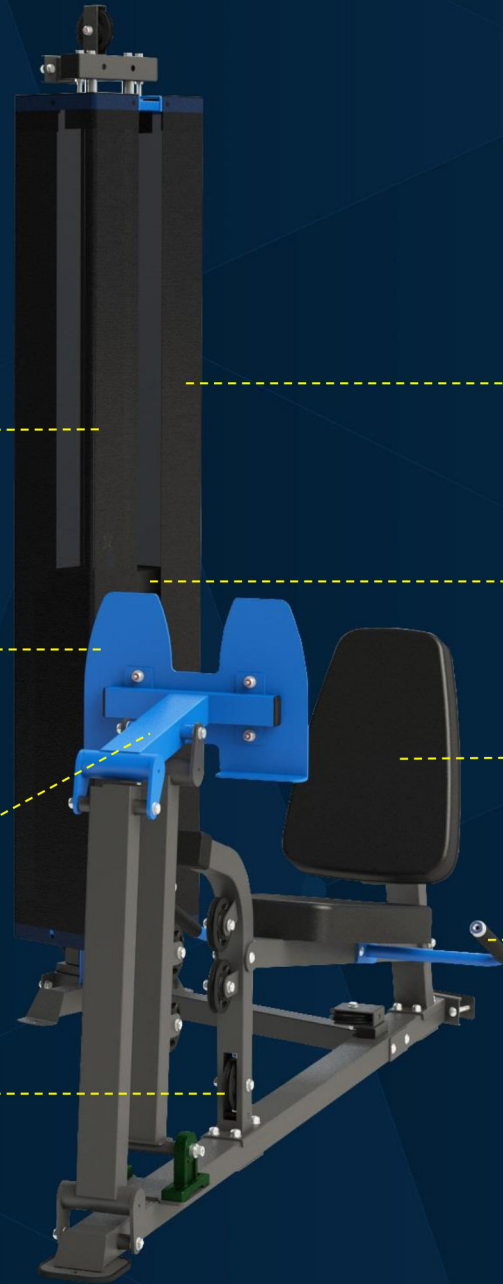
weight stack is
 $5\text{kg} \times 15 = 75\text{kg}$

Footplate support frame

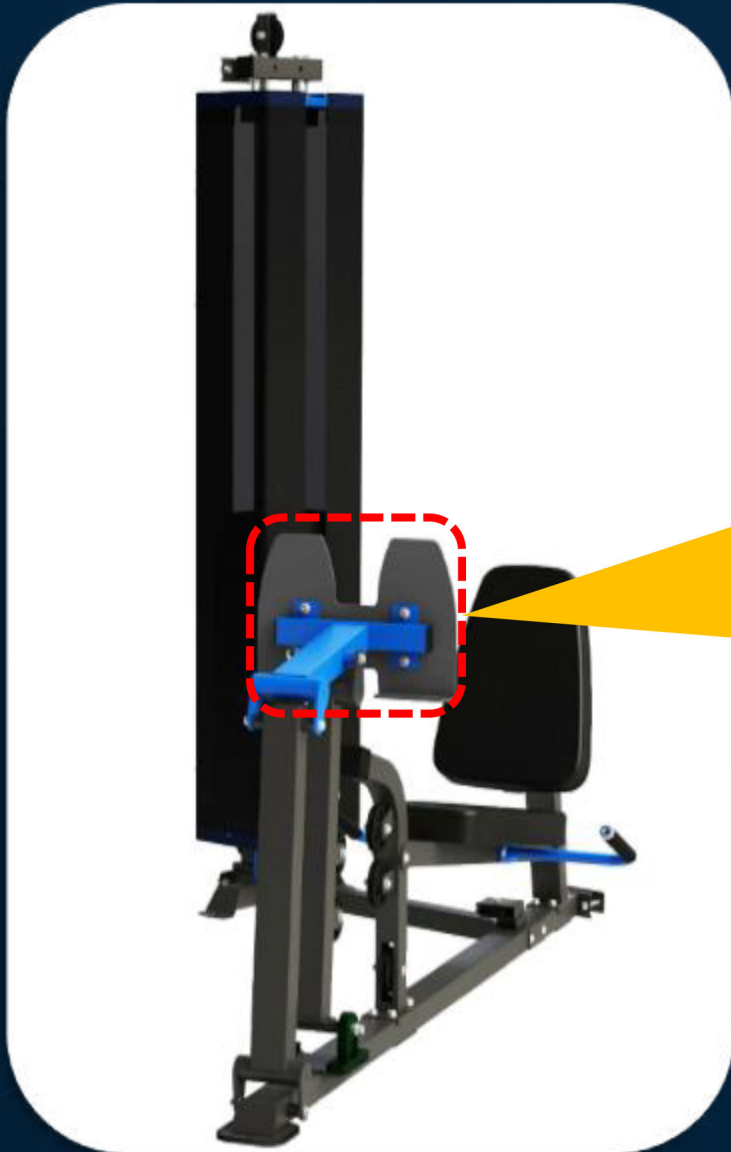
Adjustable backrest pad

Super flexible PP pulley (Same bumper material)

HDR grip



Non-slip metal footplate



Non-slip metal footplate. The pattern is lentil, with a basic thickness of 3mm and a height of 2.5mm, which is consistent with ergonomics. It can increase the force of friction.



Detail display



Aluminium alloy end cap

Comfortable HDR handle grip



Bearing bracket



The use of double bearing bracket has no gap fit and makes the leg press more smooth.

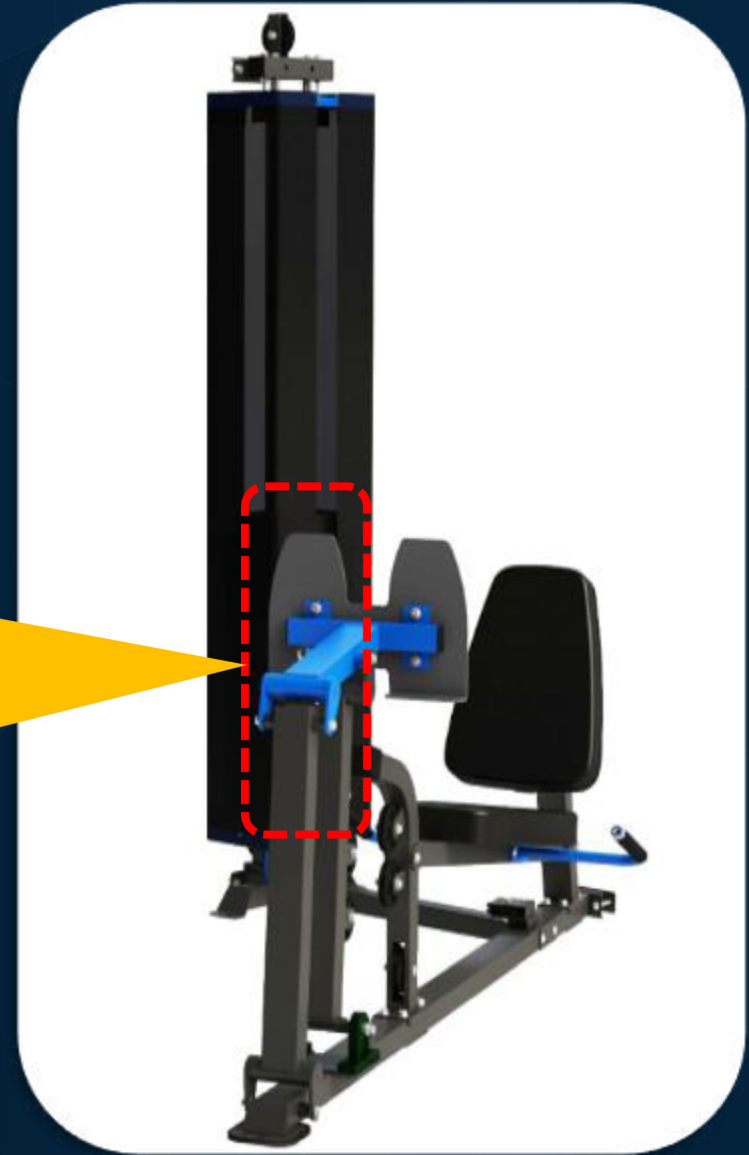
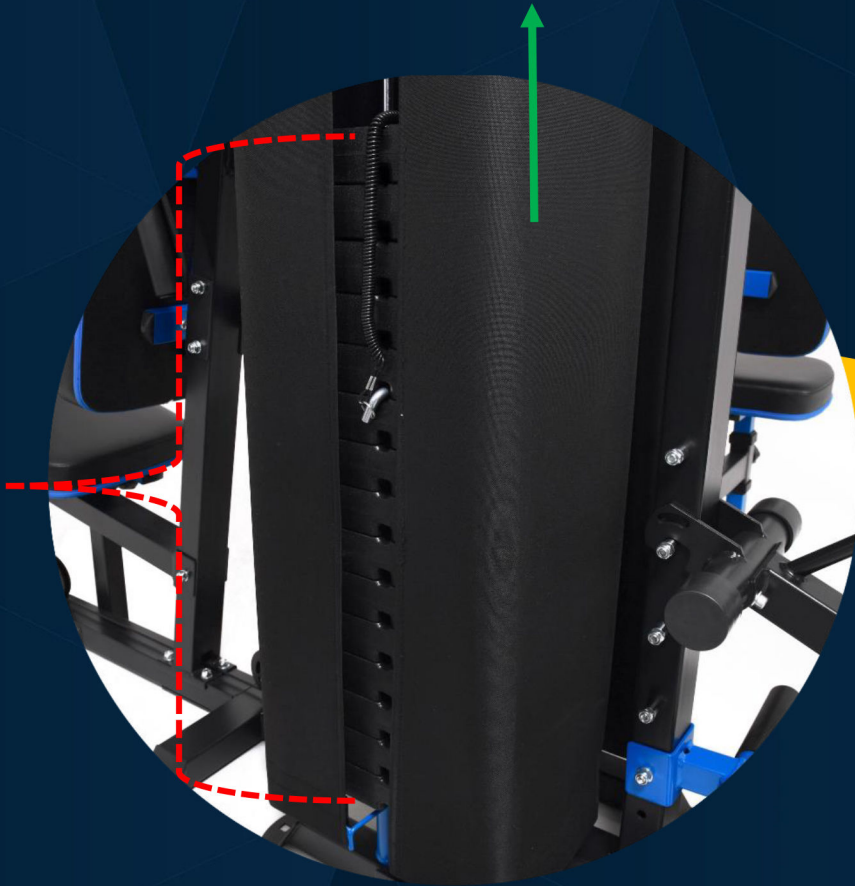


Zinc plated hexagon socket head screw is more easy to tighten.

Weight stack

Canvas shield not only has the protection effect but also increases the stability of the machine.

75Kgs Steel weight stack

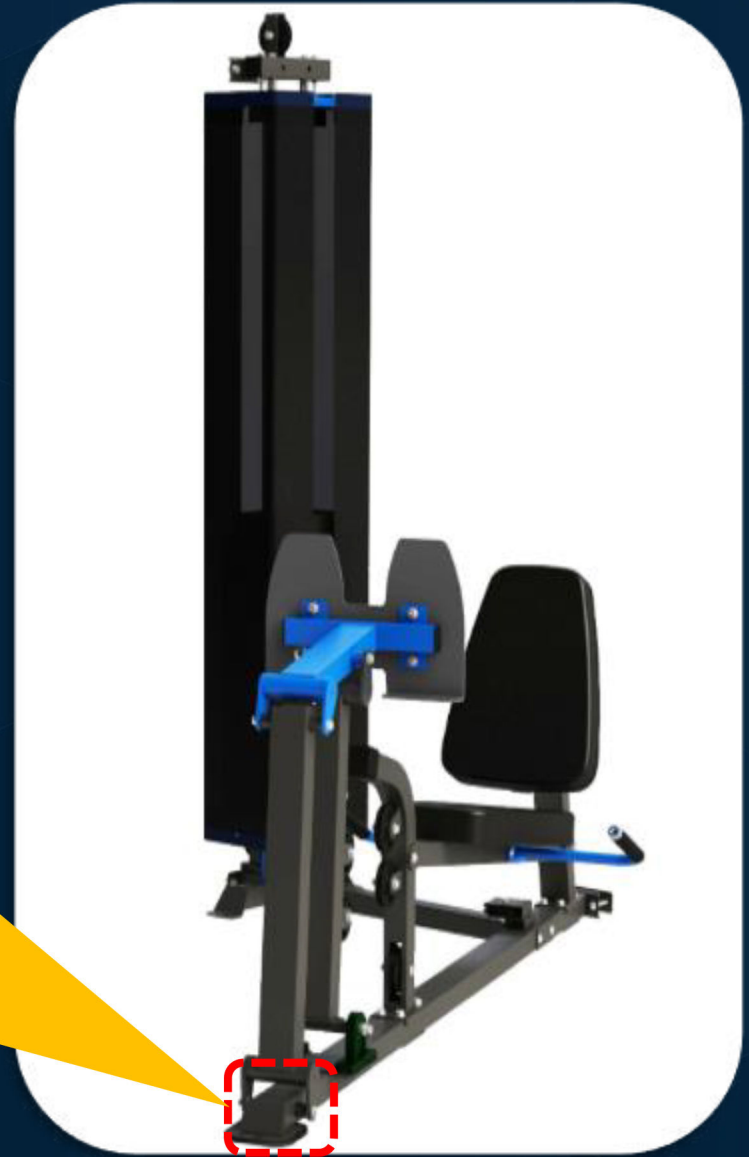


Reinforced base

It's more stable with increasing the contact area between the end and the ground.

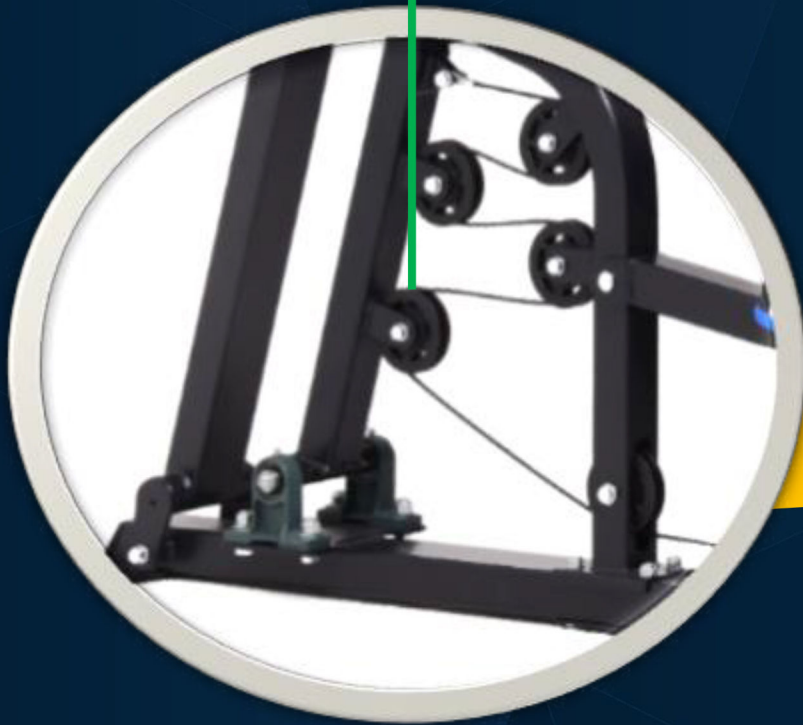


More stable full welding



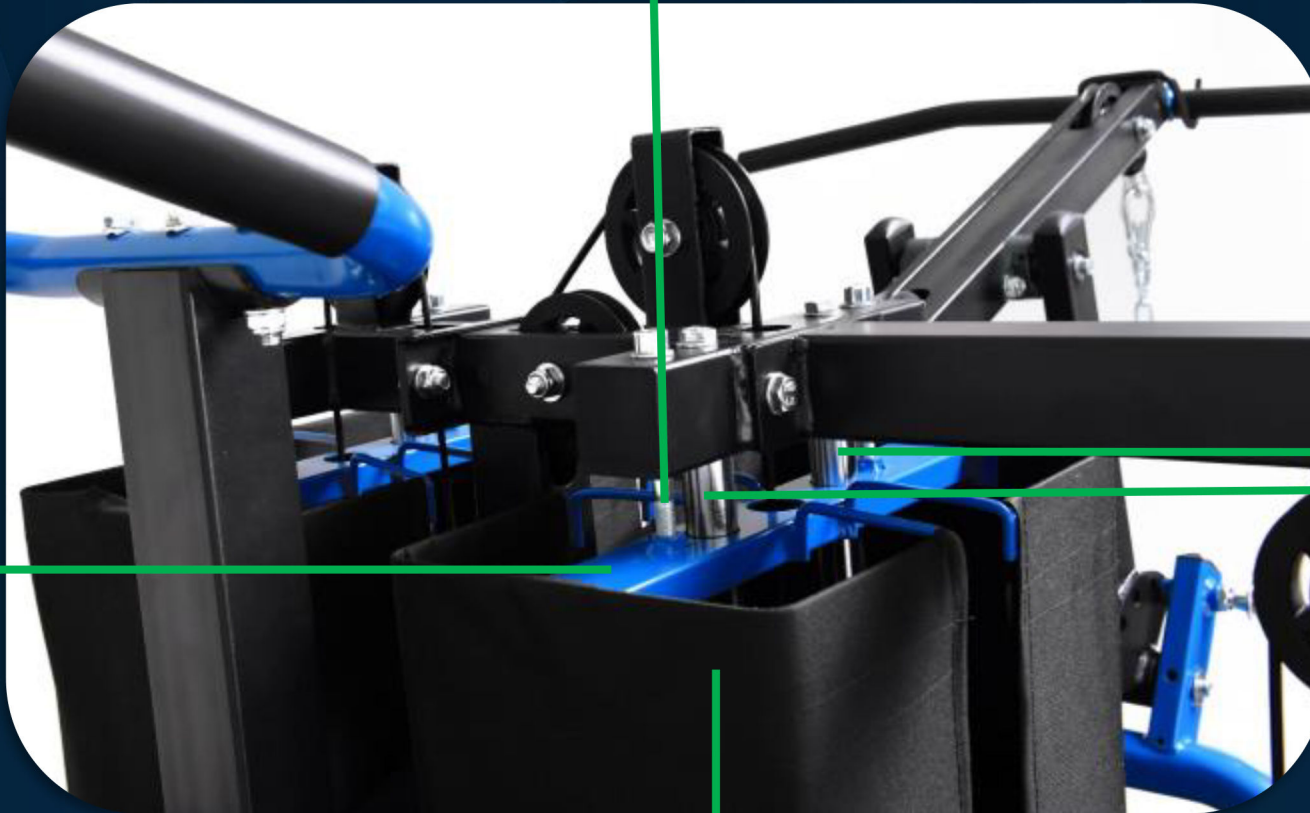
Key structure of leg lifting

5 times force of the steel cable and the four bar linkage to ensure the linearity of the movement track.



Strained structure of canvas cover

When the shield is loose, loosen the nut, then adjust the the bolt clockwise, and lift the shield holder and tighten the shield.

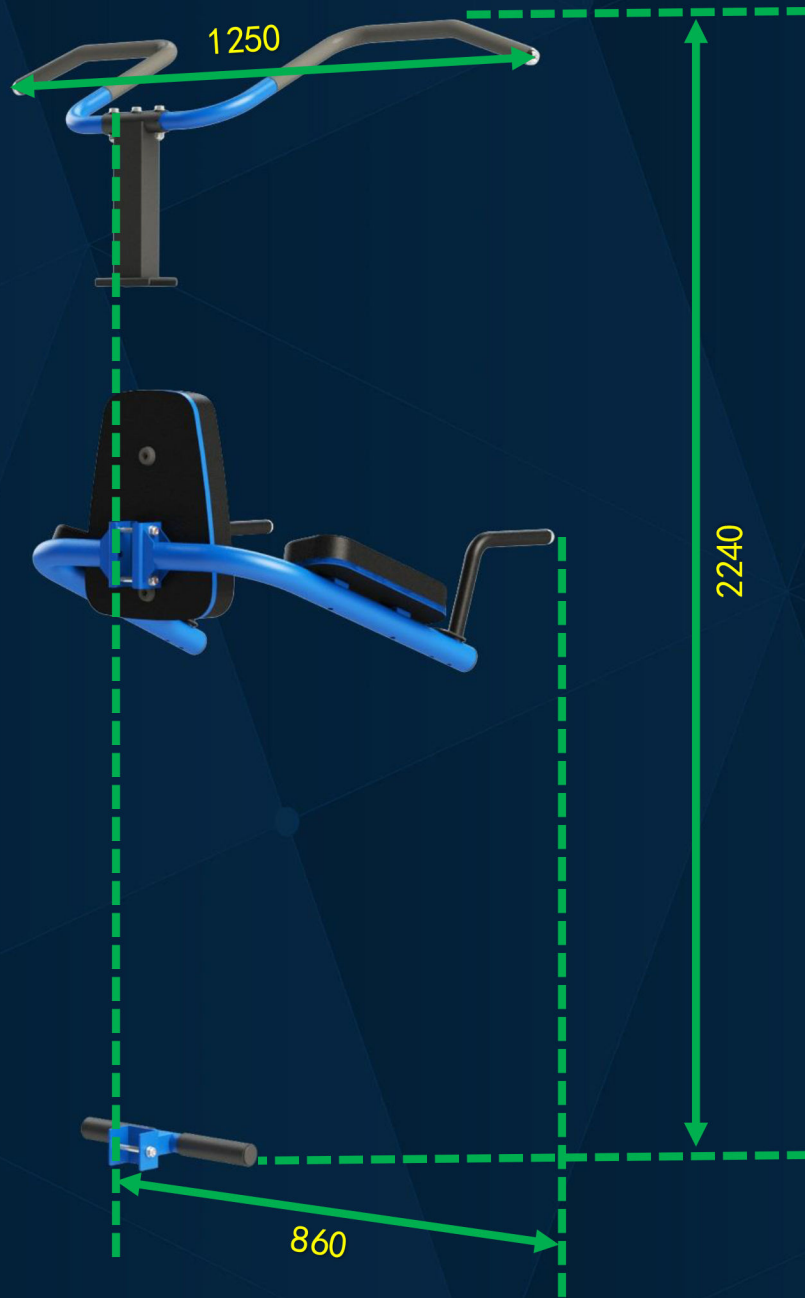


Fix the shield on frame

Put the sleeve on the guild.

Canvas shield not only has the protection effect but also cut down the cost.

Assembled dimensions (mm)



Maximum weight & Main tube size



Characteristic



HDR long grip

Cushion



Arm cushion



Leg rack

Chin up

HDR long grip



Aluminium alloy end cap

Detail display



Comfortable leather pad

Aluminum alloy
end cap

Double blue color formed the unique production process.