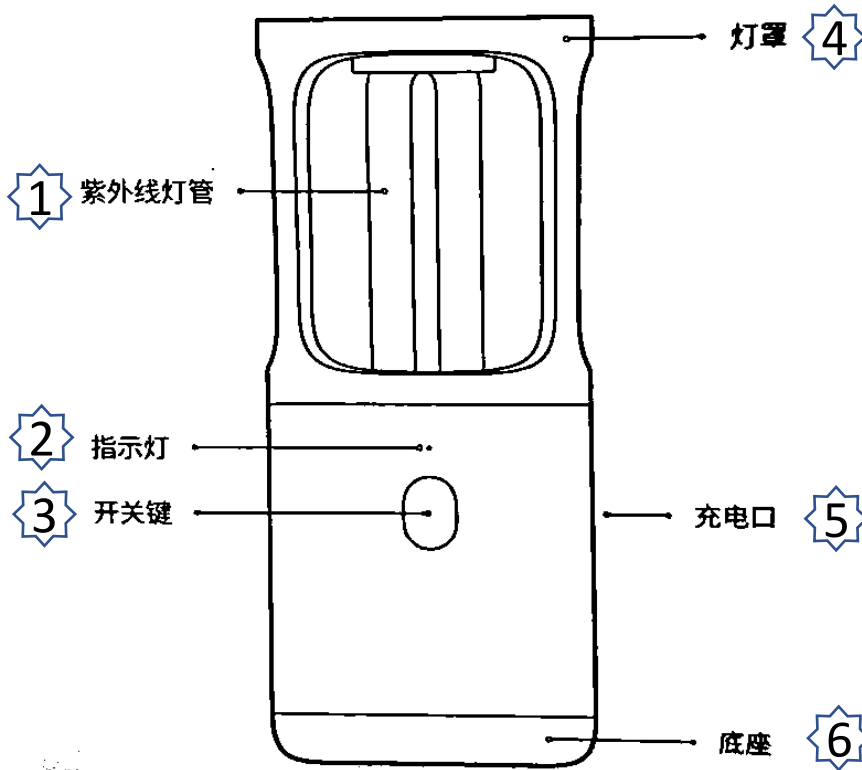




UV DISINFECTION LIGHT PRODUCT MANUAL

PRODUCT INTRODUCTIONS



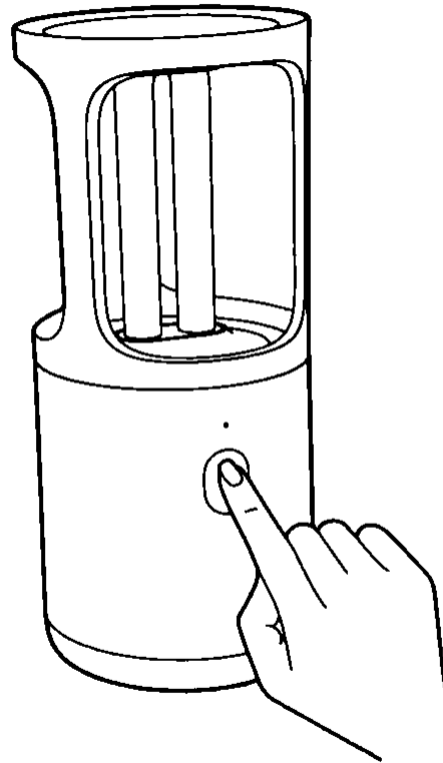
1. UV light tubes
2. Indicator light
3. Power button
4. Lampshade
5. Charging input
6. Base



UV DISINFECTION LIGHT PRODUCT MANUAL

PRODUCT USAGE

Long press the power button for 3 seconds to turn on UV disinfection light. It will start initializing, a blue blinking indicator light will be seen. After 30 minutes, indicator light will show a stable blue light, UV light tubes will not be turned ON and will start sterilizing and disinfecting.



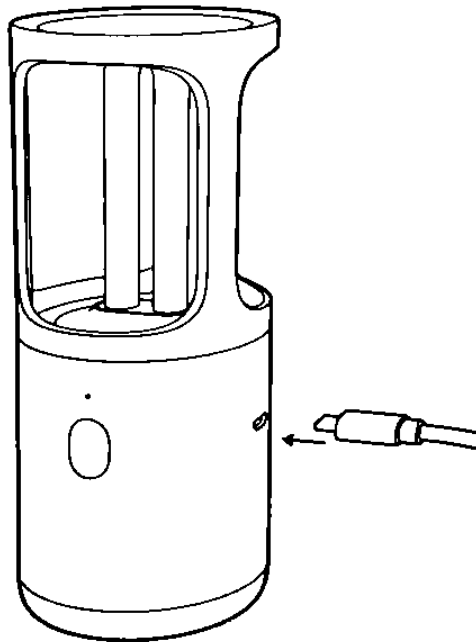
1 disinfection operation is equivalent to 30 minutes. After 30 minutes UV light tube and indicator light will automatically turn OFF as disinfection operation has ended. If user desires to close or turn off in the middle of the operation, press the power button and disinfection operation will immediately stop.



UV DISINFECTION LIGHT PRODUCT MANUAL

CHARGING

After long pressing the power button, if indicator light blinks with a red light for 5 seconds and is not able to turn on the device, immediately charge device. Micro USB data cable can be used for charging the device.



* Blinking red light - Charging

** Stable red light – Charging complete



UV DISINFECTION LIGHT PRODUCT MANUAL

FAQ

1. In what environment is XiaoDa UV Disinfection light suitable for use?
 - UV Disinfection light uses Ultraviolet C band and ozone dual disinfection method, is specially suitable for small spaces and areas that are hard to clean.
 - It uses a rechargeable design which is convenient for travelling when it comes to disinfecting hotel bed, pillows etc.

2. How many times can it be used with one full charge?
 - It comes with a 1800mAh battery, and a usual Micro USB port. One full charge can be used for 3-4 times.

3. How long can the light tube be used?
 - Disinfection light can be used for 8,000 hours, UV disinfection light has a warranty service for 12 months. (Unless artificially broken)



UV DISINFECTION LIGHT PRODUCT MANUAL

FAQ

4. Does the ozone generated during disinfection have any harm to the human body?

- The UV disinfection light uses only 2.5W power, the ozone it produces in an enclosed small area can be used in disinfecting, after disinfection the ozone will have a rapid oxidation and be broken down. If there are no residue or secondary contamination, it will not be harmful to the human body. Only when the ozone concentration is $> 0.3\text{mg}/\text{m}_3$, it becomes harmful to the human body.

5. What is the ozone concentration rate and radiation flux of the UV disinfection light?

- The yield rate of ozone concentration is $0.33\text{g}/\text{kWh}$, radiation flux is 52mW , when UV light strength is less than $70\mu\text{W}/\text{cm}_2$, disinfection will not be effective. Light tubes need to be replaced.



UV DISINFECTION LIGHT PRODUCT MANUAL

THINGS TO NOTE

1. While UV Disinfection light is turned ON, make sure no human being or animal is present in the area. Direct exposure to UV light radiation can cause harm to skin and eyes.
2. While disinfecting in a small area, make sure that the closet, cupboard, refrigerator and washing machine doors are closed properly for the oxygen ions to take deep effect in overall disinfecting.
3. Keep out of children's reach. Do not allow children to play with the UV Disinfection light to avoid possible harm caused by the UV rays.

PROPER DISPOSAL

1. During disposal, make sure to contact licensed electronic scrap / recycling center. As much as possible, try to recycle.
2. If Mercury-containing UV lamps are accidentally broken, immediately open the windows for more than 15 minutes to have air circulated.