

INSTALLATION INSTRUCTIONS

SLIDE TRAY INSTALATION INSTRUCTION

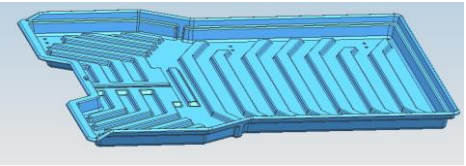
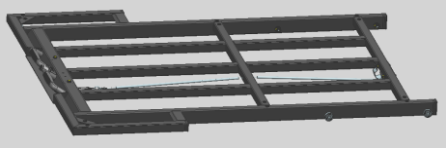
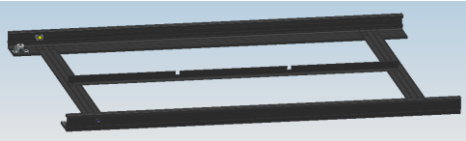
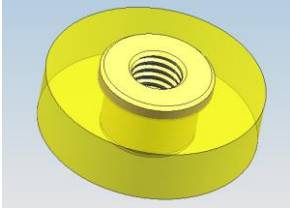
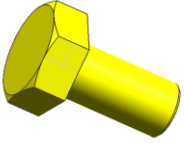
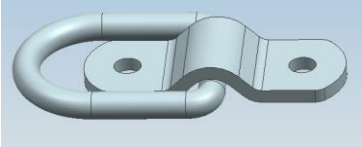
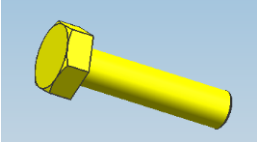

Before Installation

- Please read the instruction before installation, which will also help you to avoid any scratches or other potential damages to your car.
- The information shown here is for your reference only and may differ from the product that you receive, but the installation method is the same.

Care and Cleaning

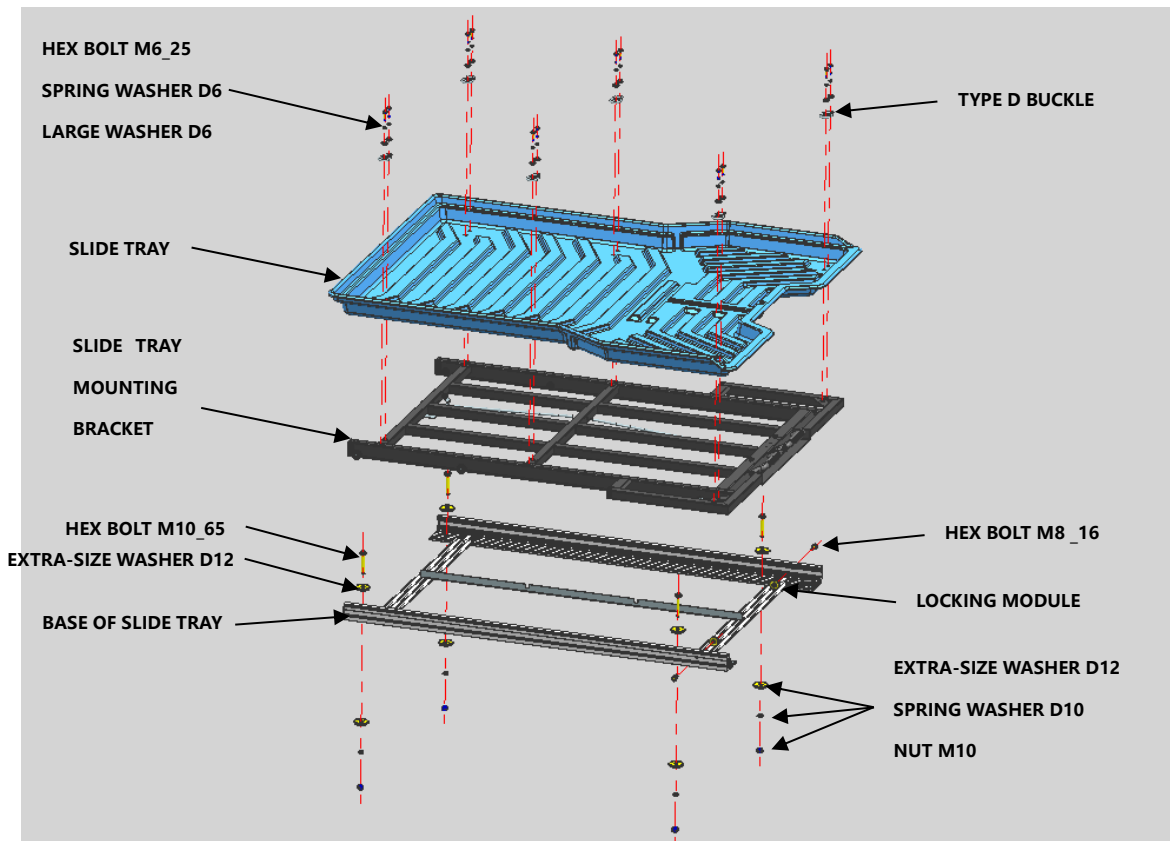
- Mild soap may be used also to clean the product.
- Please periodically check and retighten all the hardware and clean the investment for a refresh look.

Parts List

NO	Qty	Picture	NO	Qty	Picture
①	1	 SLIDE TRAY PLATE	②	1	 SLIDE TRAY MOUNTING BRACKET
③	1	 BASE OF SLIDE TRAY	④	2	 LOCKING MODULE
⑤	2	 HEX BOLT M8_16	⑥	6	 TYPE D BUCKLE
⑦	12	 HEX BOLT M6_25	⑧	12	 LARGE WASHER D6

INSTALLATION INSTRUCTIONS

⑨	12	 SPRING WASHER D6	⑩	4	 HEX BOLT M10_65
⑪	8	 EXTRA-SIZE WASHER D12	⑫	4	 SPRING WASHER D10
⑬	4	 NUT M10			

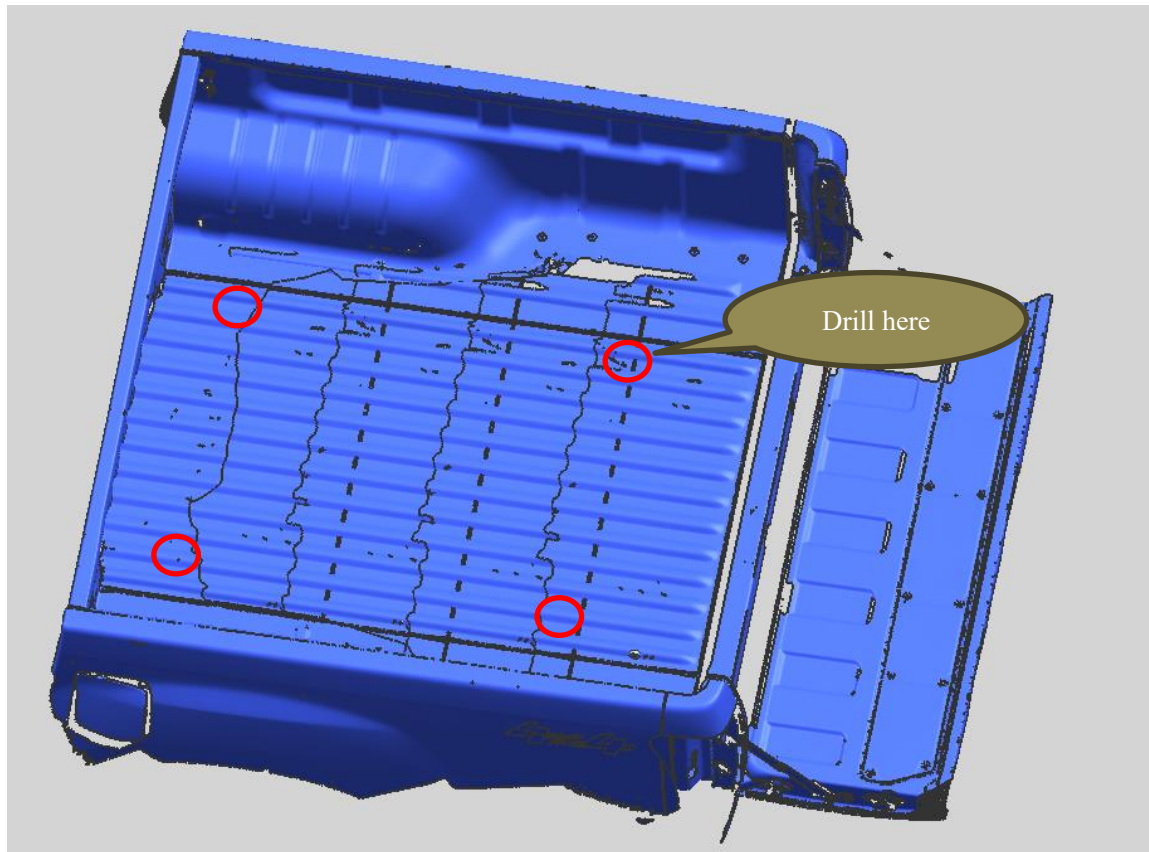


INSTALLATION INSTRUCTIONS

Installation Instruction

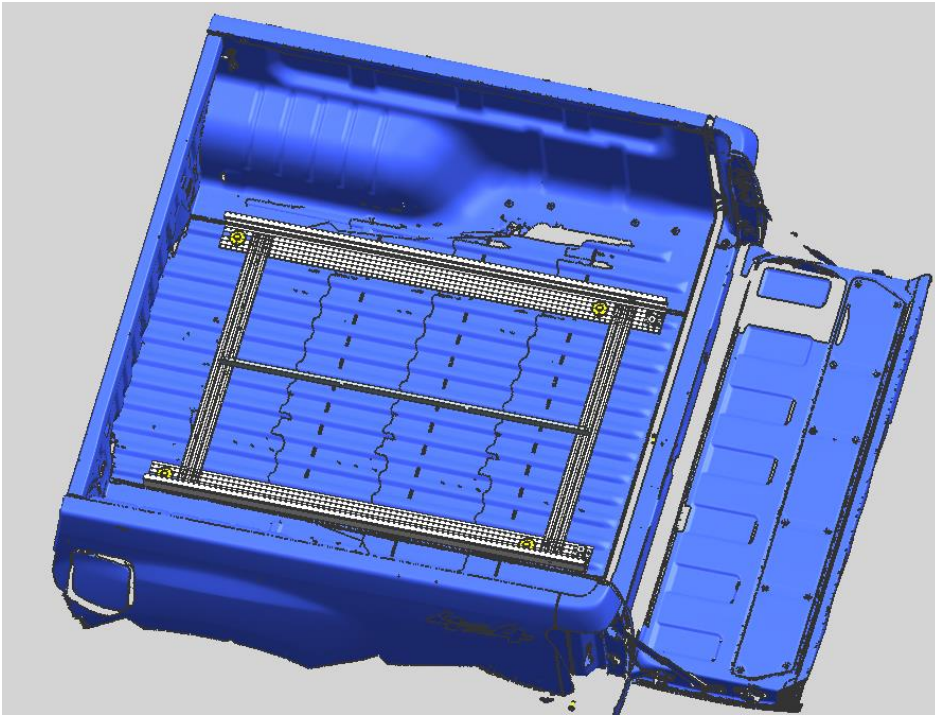
(Here only state the way of installation of one side, the other side is the same)

Step 1、 Drill the hole in the position indicated in the drawing below and make the size of the holes his aperture can be passed through the M10 bolt ;

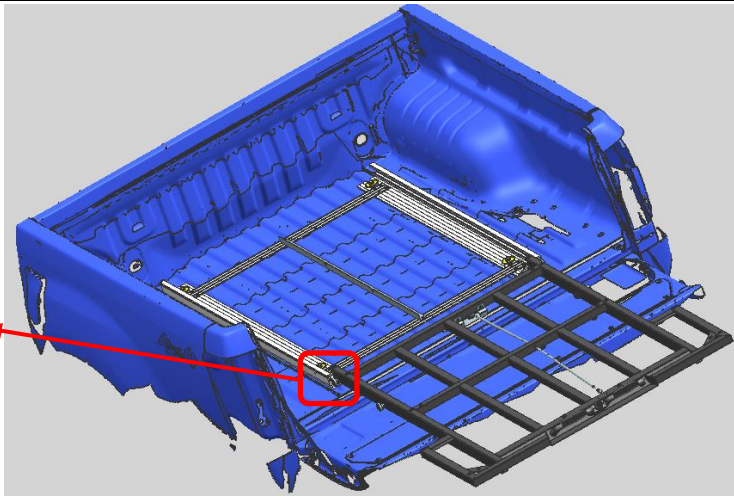
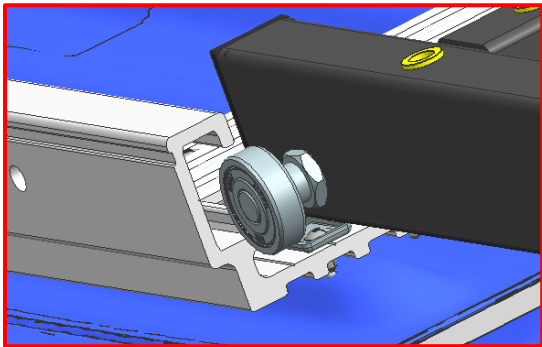


Step 2、 Lock the base of slide tray by using 4 pcs of Hex Bolt M10_65mm, 4 pcs of Spring Washer, 8 pcs of Extra-size Washer D12 and 4 pcs of Nuts M10;

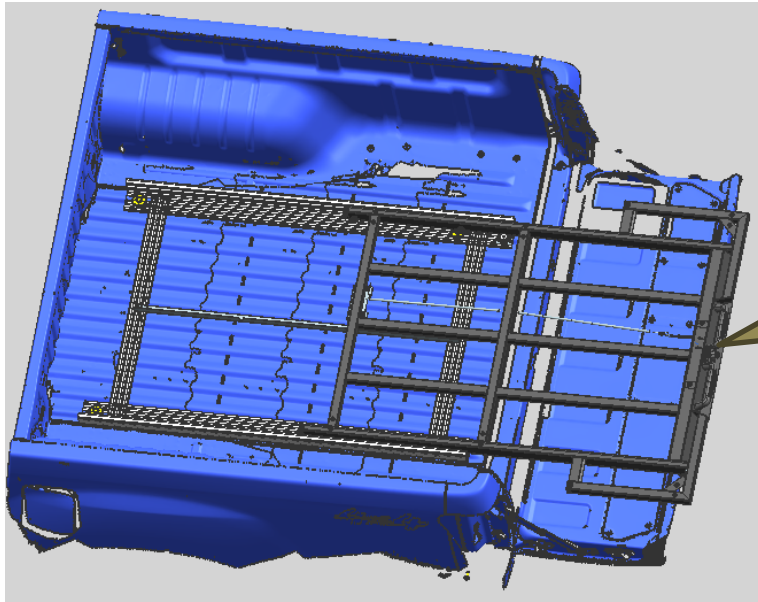
INSTALLATION INSTRUCTIONS



Step 3、 Push the bearings on both sides of the Slide tray mounting bracket into the position halfway along the rail on both sides of the slide tray base; (Remark: Please keep pressing the button on the handle while pushing the mounting bracket of slide tray.)

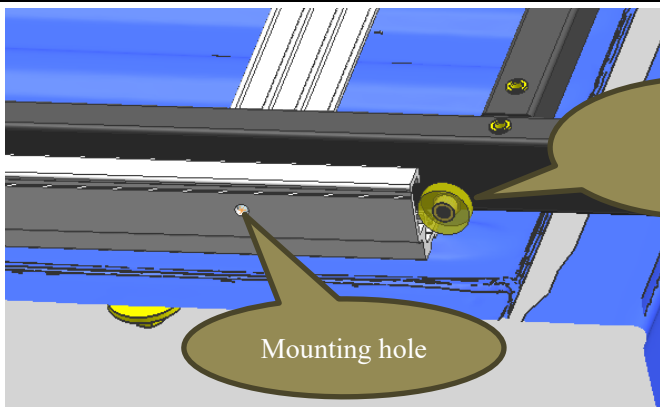


INSTALLATION INSTRUCTIONS



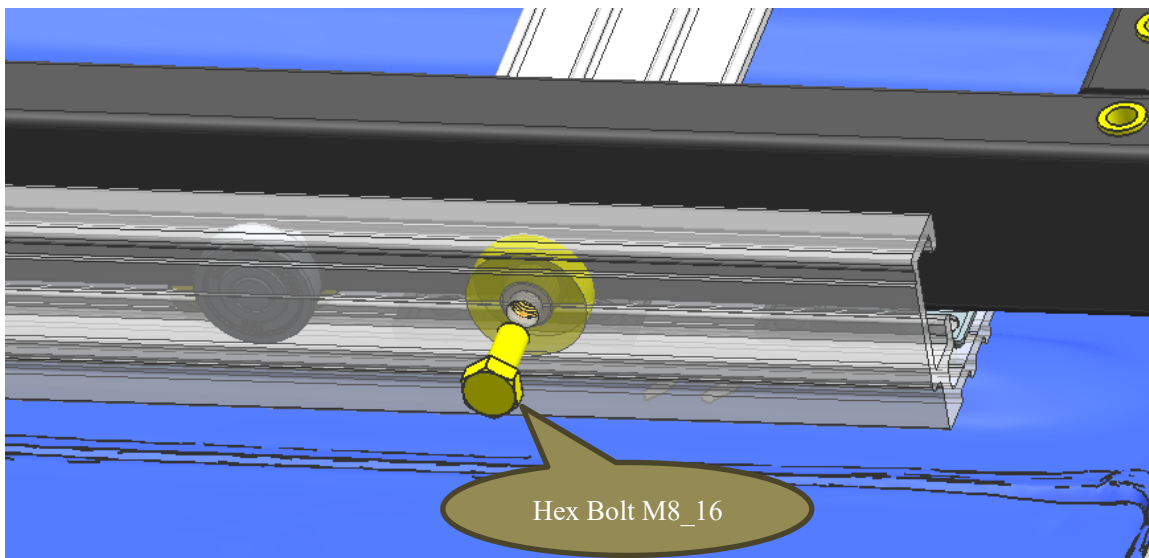
Press Button here and push

Step 5, Push the locking module from the rails on both sides of the slide tray base along to the hole position as bellow drawing and lock it with the hex bolt M8_16;



Locking Module

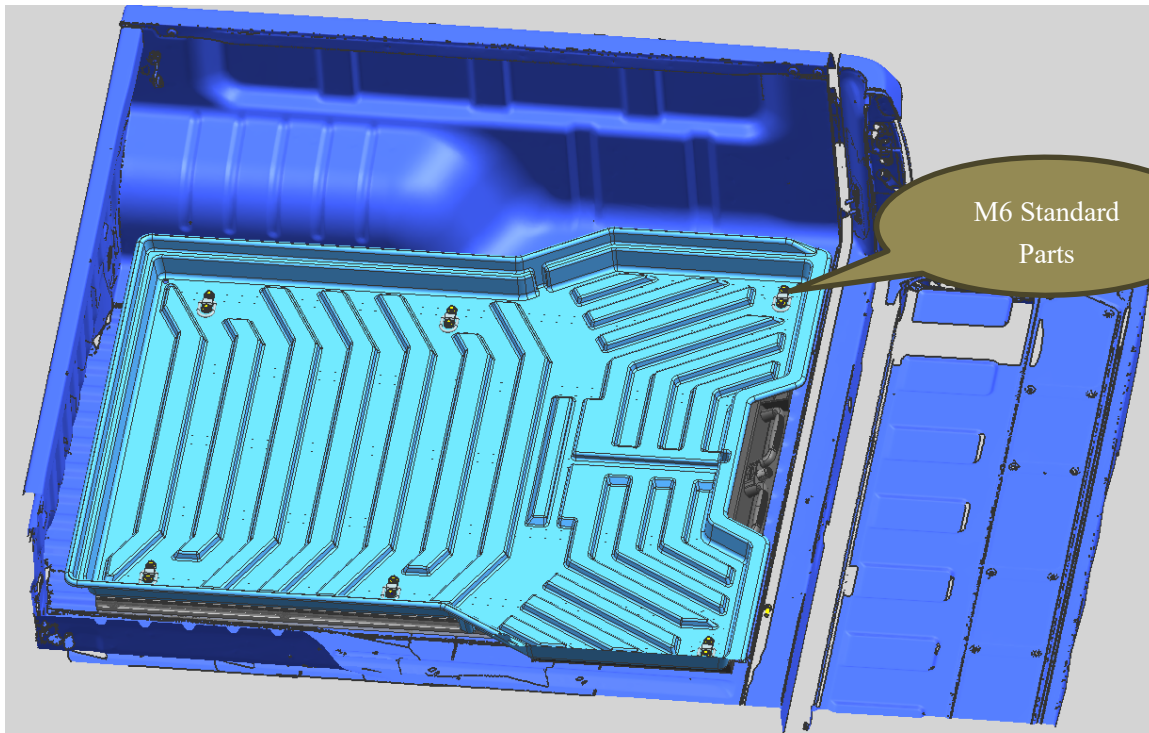
Mounting hole



Hex Bolt M8_16

Step 6, Attach the slide tray plate onto the slide tray mounting bracket by using Type-D buckles and M6standard parts to finish installation.

INSTALLATION INSTRUCTIONS



DISCLAIMER

Any damages and losses caused by improper installation and application, shall goes beyond our quality warranty.