



**RAPTOR STYLE**  
**Roller Shutter**  
**Installation manual**  
**FOR**  
**PX RANGER & RAPTOR**



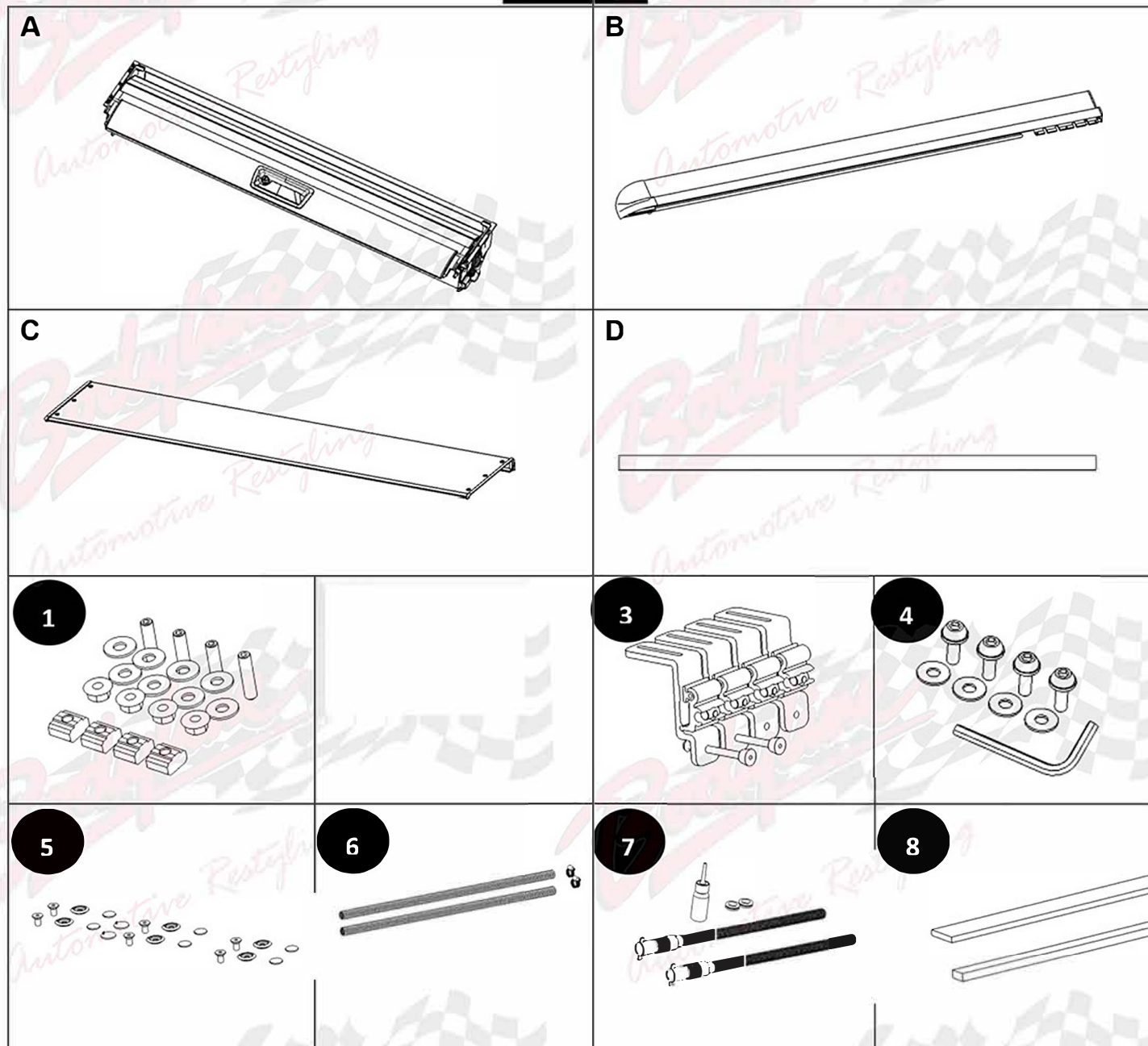
## Before Installation

Please read the instruction completely for easy installation, which will also help you to avoid scratches or other potential damages to your appealing car.

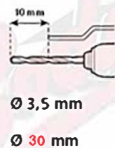
Please periodically check and retighten all the hardware and clean the investment for a refresh look.

The figures here are for reference only and may have differences with the actual product you received, however they share the same assembly way.

## PART LIST



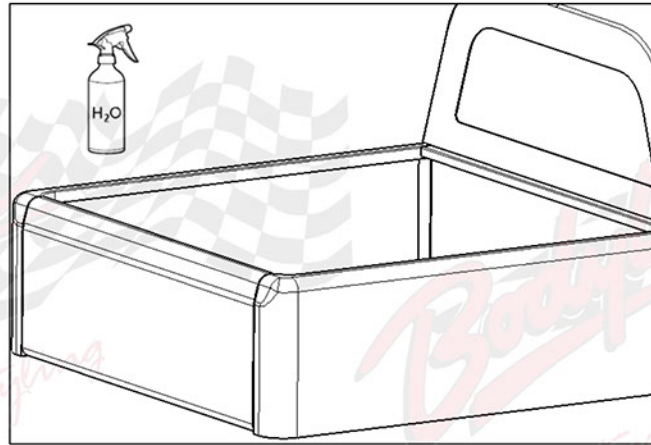
## Tools and materials needed



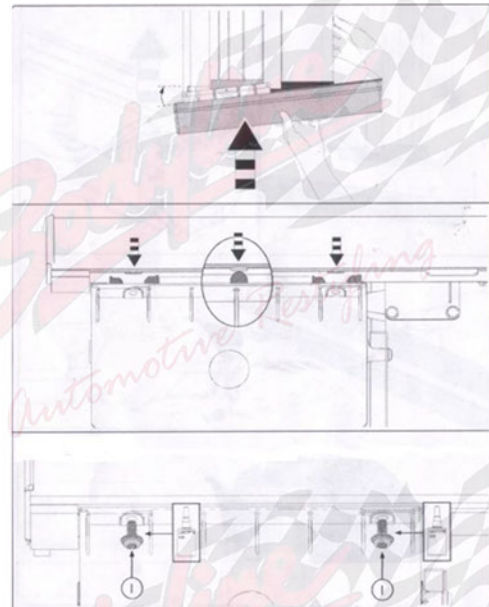
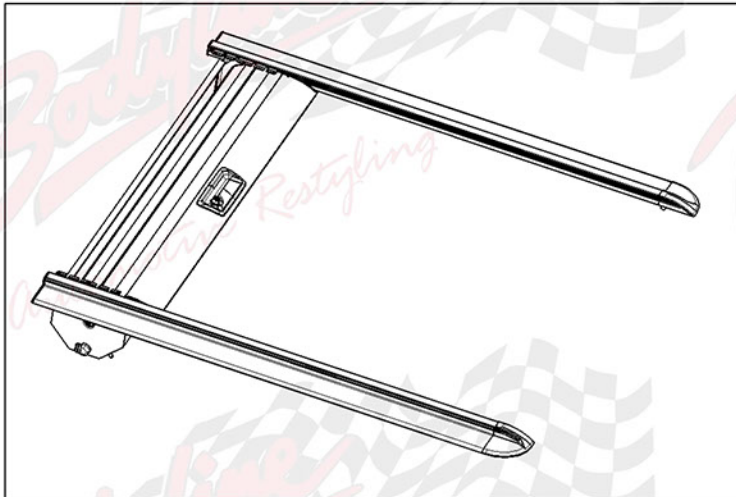
T15, T30



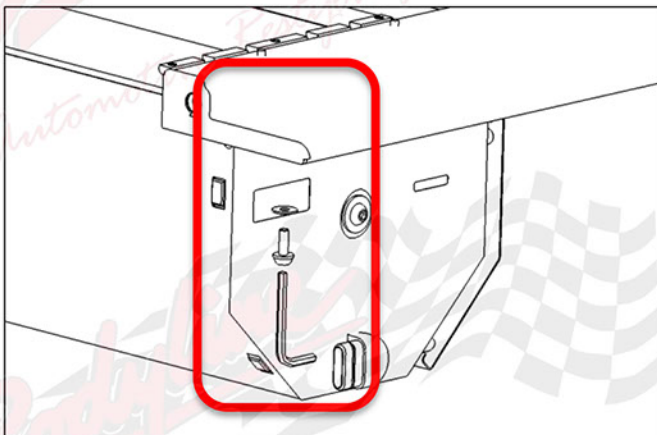
## Installation Steps



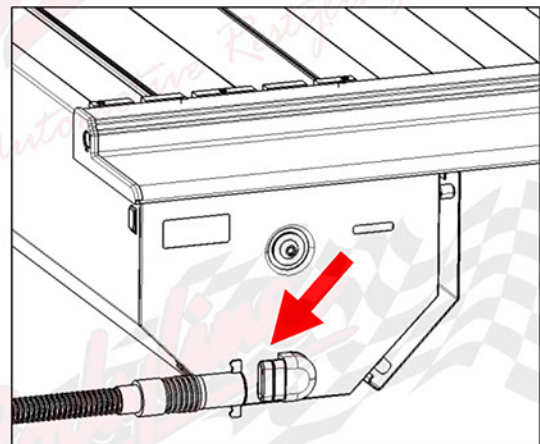
1. Cleaning the trunk and margin by water X, dismantling the other unnecessary part for clean and tidy.



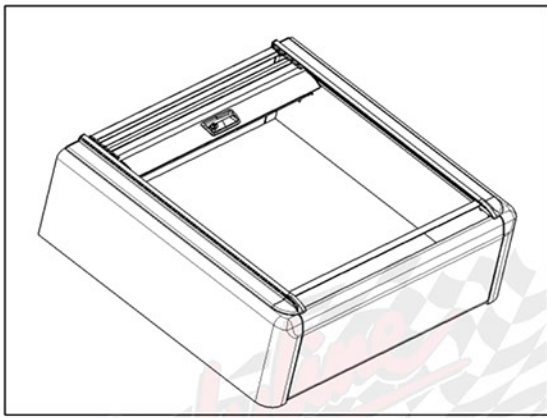
2. Install side track on canister.



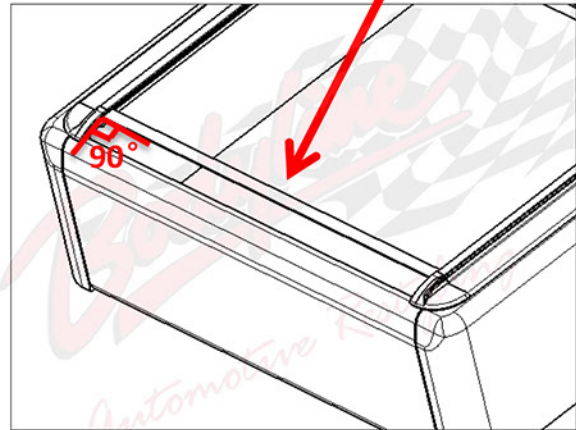
3. Install side rail on canister with ④  
(M6-16 bolt and flat washer )



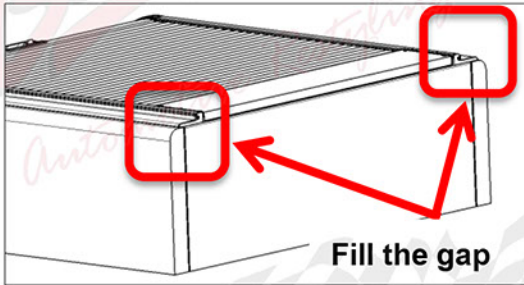
4. Install the drain-pipe $\varnothing$ , assembly way is same on both sides.



Standard bar

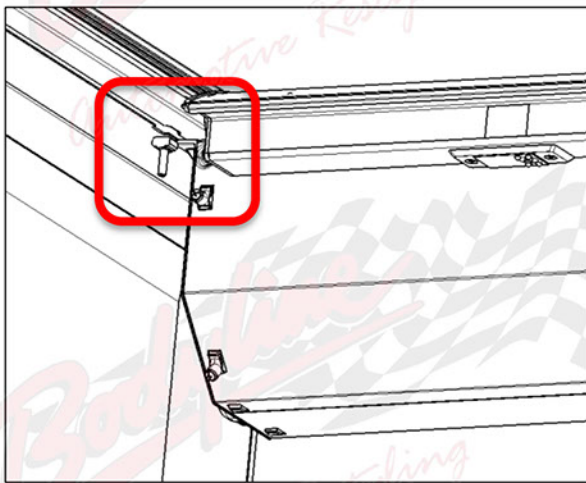


5. Put the roller shutter on the vehicle



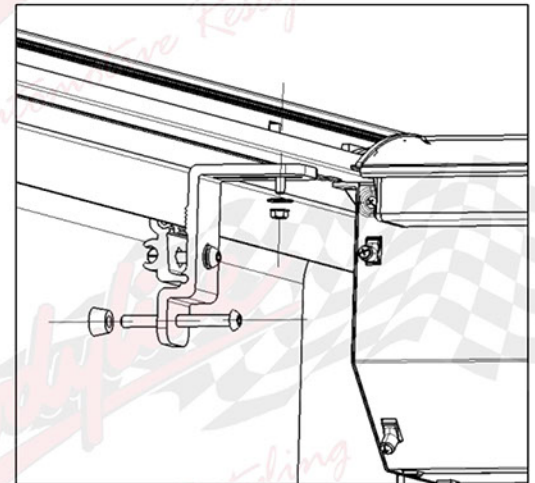
6. Put the roller shutter on the vehicle and adjust it to appropriate position. Distance between the side tracks should be same from front to rear part.

**\*Note:** Size tolerance will happen on the trunk from vehicle manufacture, if gaps happen at the bulkhead part after installing, please fill it with rubber foam or silicon.

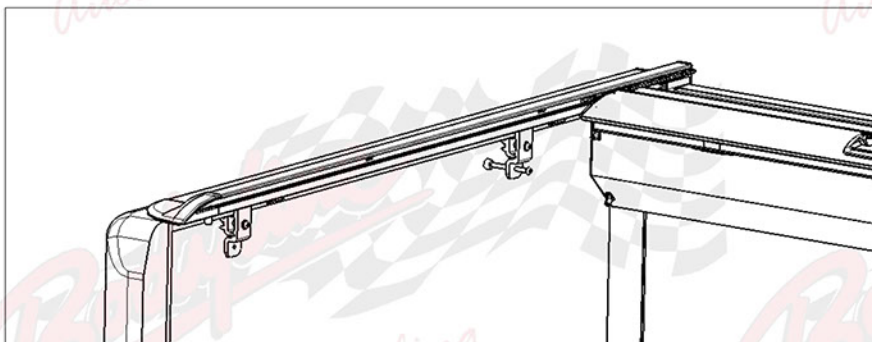


7. As the figure shows, ①M6 bolt screw into M6 square nut.

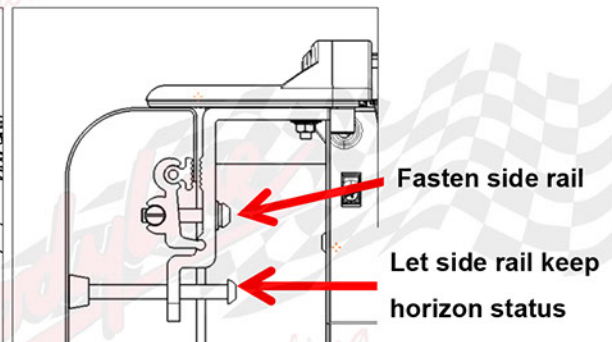
Then put the bolts into the tracks, 2 pieces on each side.



8. Install the brackets.

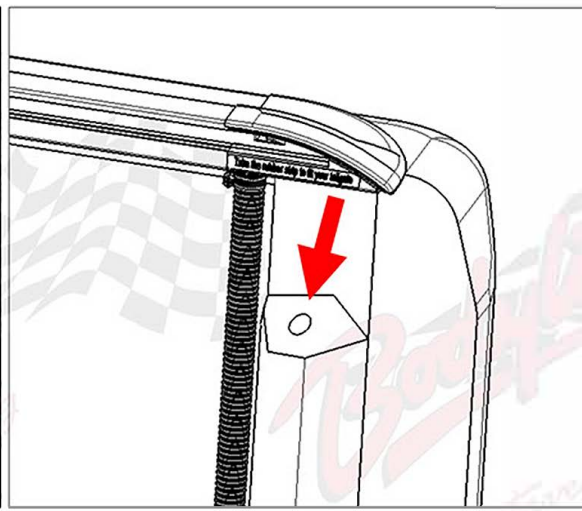
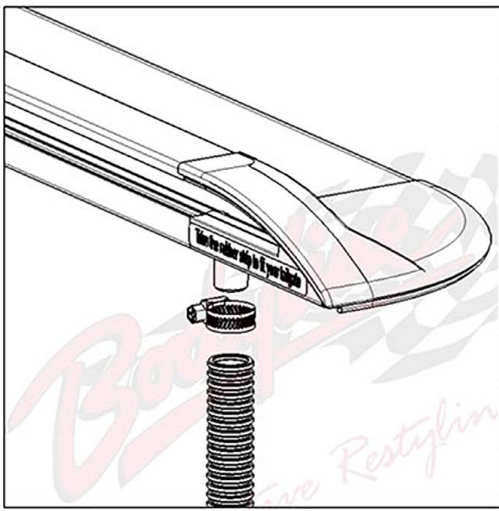


9. Brackets with extra long bolt should be installed at the front side. (close to CAB)

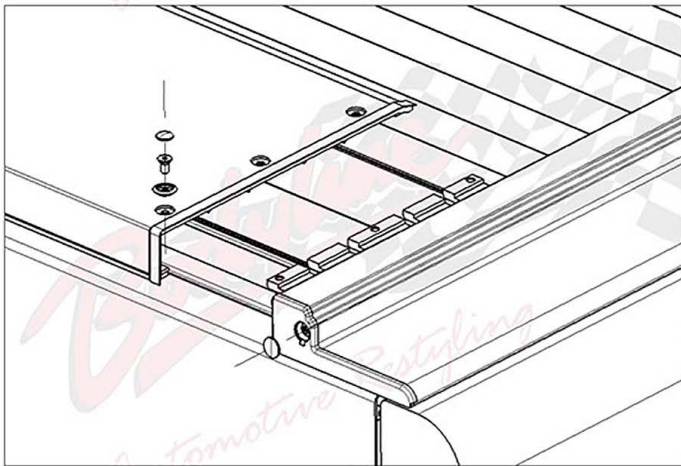
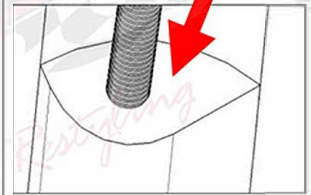


10. Fasten the long bolt below if needed.

**\*Notice:** Fasten the long bolt below until the side rail reach horizon status.



Install the drain-pipe



11. Install the aluminum cover, fasten the screws

13. If the roller shutter do not runs smoothly, you can follow below steps: (as the picture shows)

- a. Put some lubricating oil on the track.
- b. Adjust the spring .

**(Notice:** These 2 steps should be done every 3 months, but you can do it if needed.)

