



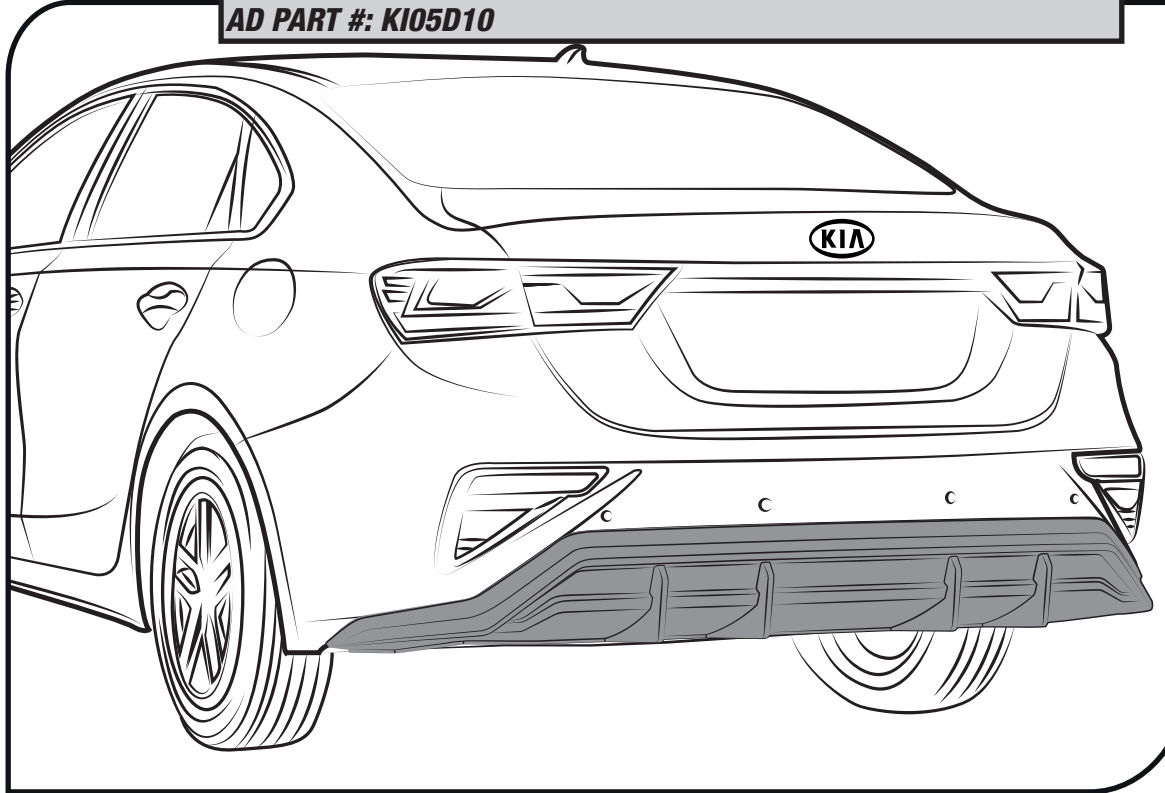
KIA FORTE SEDAN 2019

INSTALLATION MANUAL

REAR DIFFUSER WITHOUT CUTOUT FOR EXHAUST AD PART #: KI05D10


**READ CAREFULLY
BEFORE INSTALLATION**


**WASH BEFORE
INSTALLING**

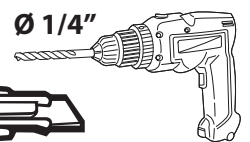
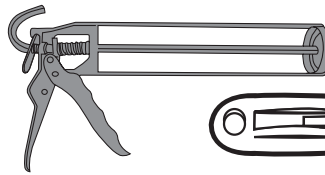



**WE RECOMMEND
2 PERSONS FOR
INSTALLATION**

**AFTER INSTALLING
DO NOT WASH CAR**


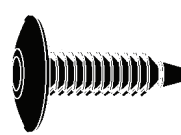


24 hrs

TOOLS



CHECK LIST

***ALREADY INSTALLED ON THE PART**

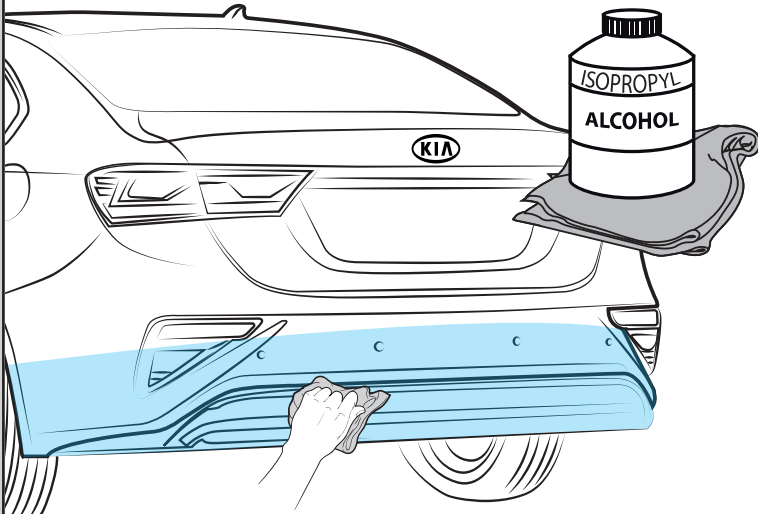
ITEM	DESCRIPTION	DRAWING	AMOUNT
A	*VHB TAPE		N/A
B	WÜRTH PUSH PIN 387		10 PCS
C	POLYURETHANE ADHESIVE 310 ml		1 PC



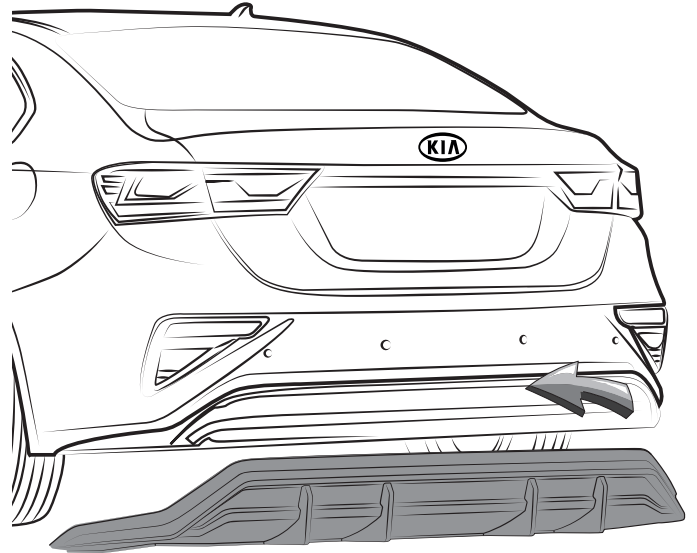
INSTALLATION MANUAL

The ideal temperature range of the part and the vehicle when installing must be 16°C (60°F) to 40°C (104°F), this guarantees a correct assembly.

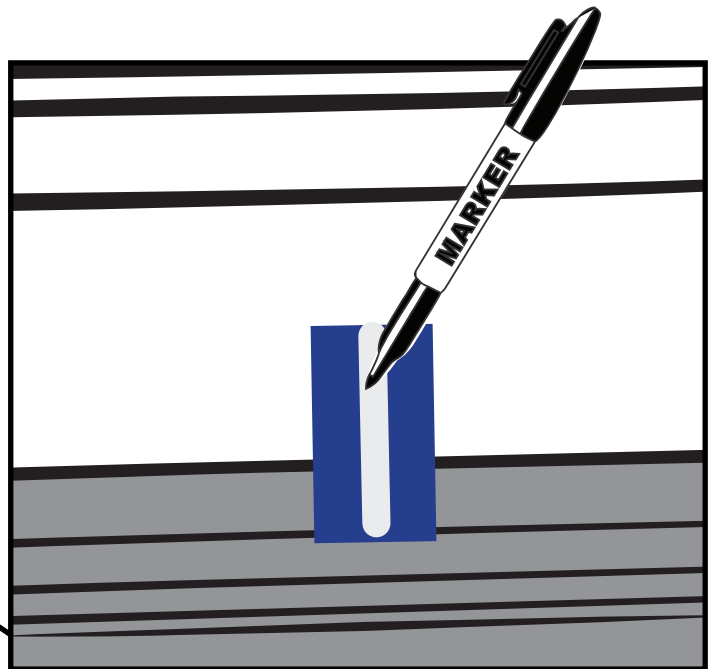
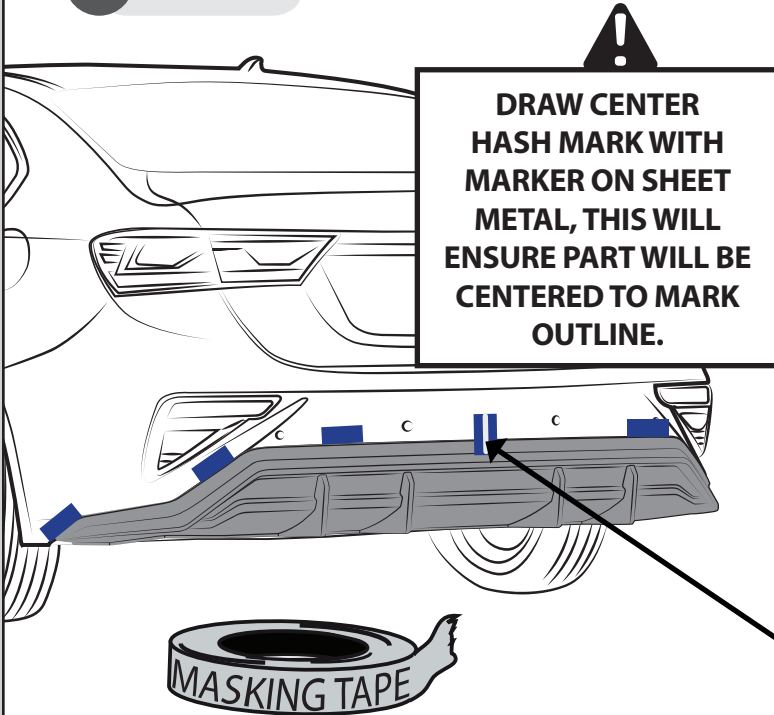
1 CLEAN THE INSTALLATION ZONE



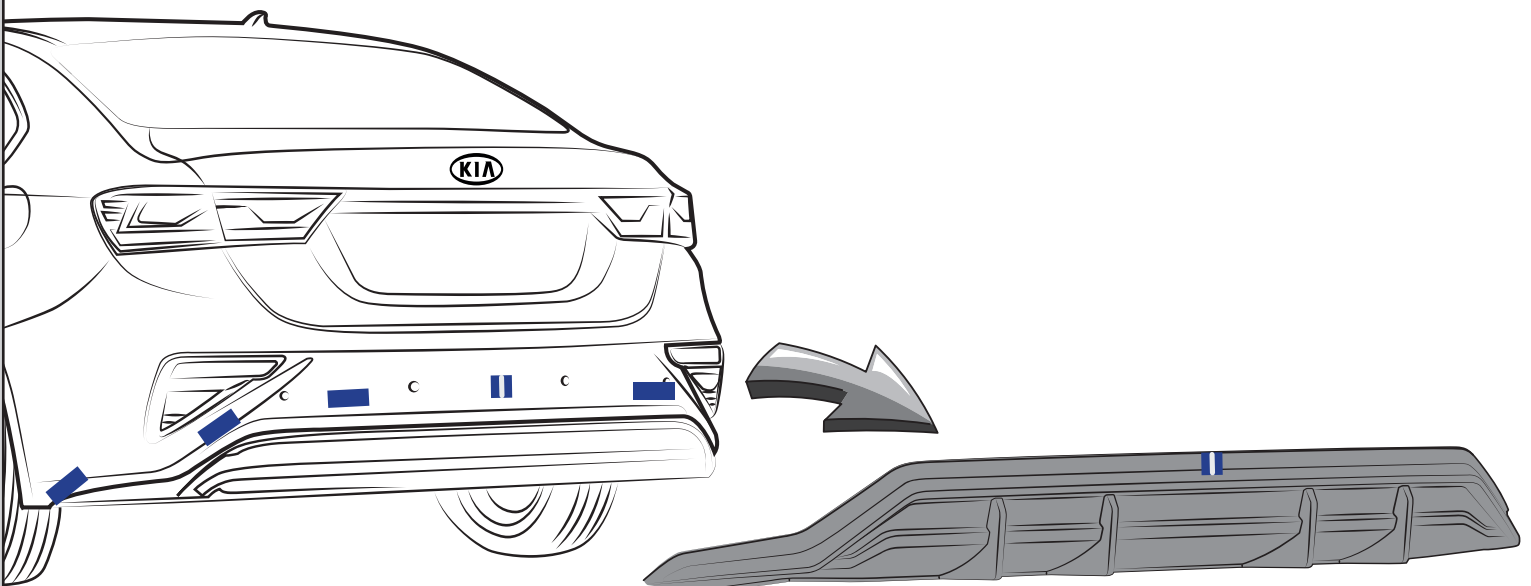
2 TEST FIT THE PART



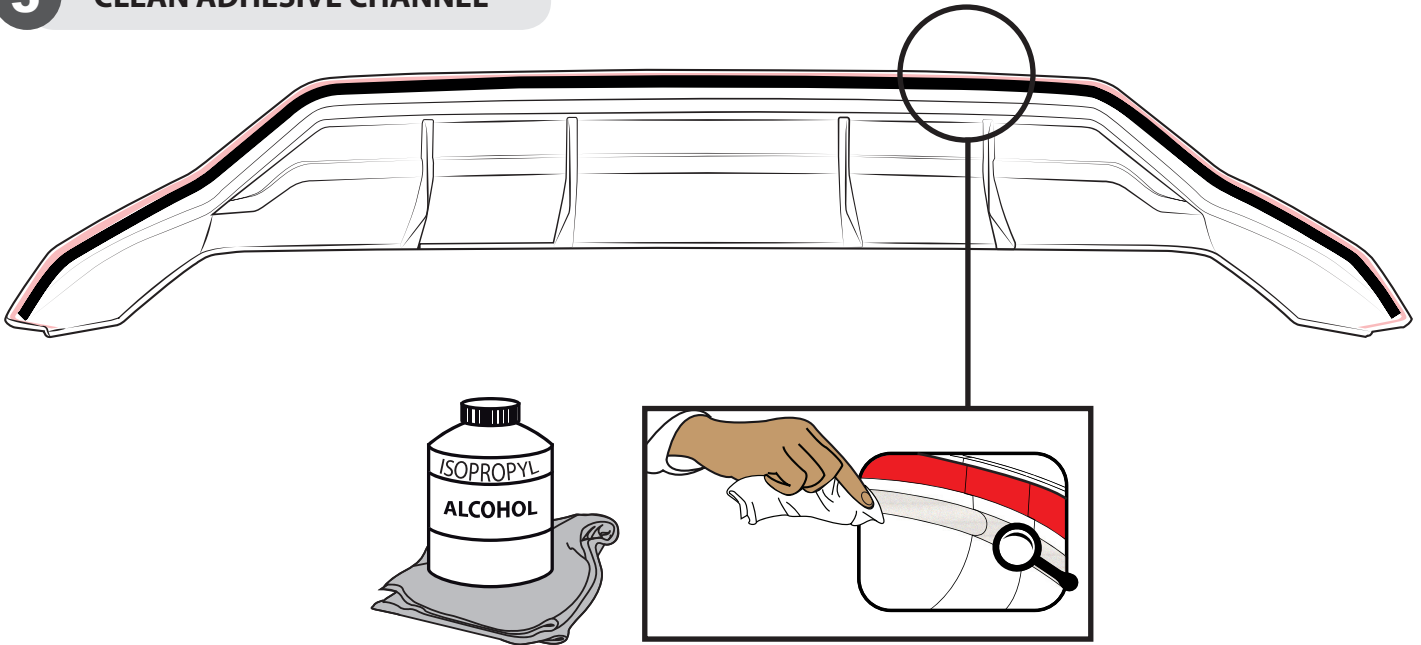
3 MARK



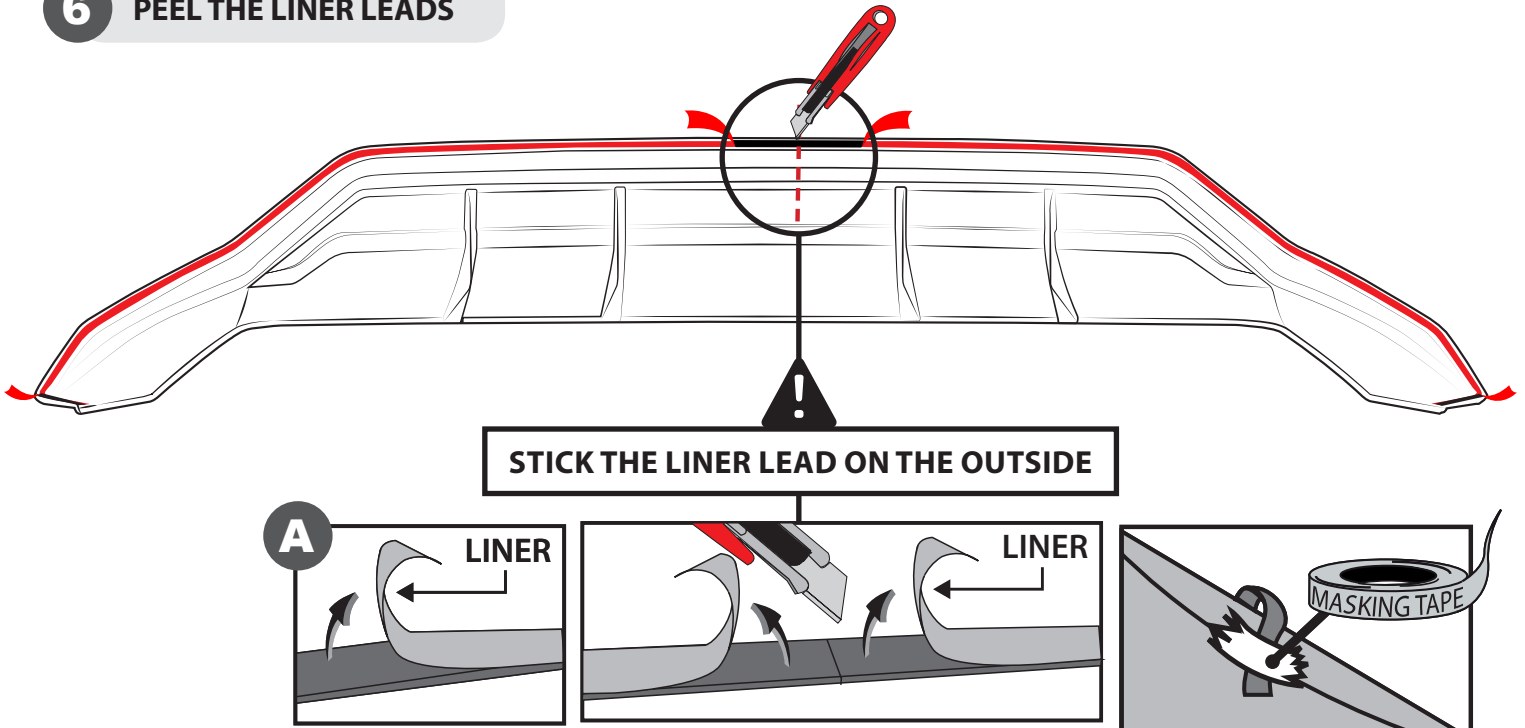
4 REMOVE THE PART



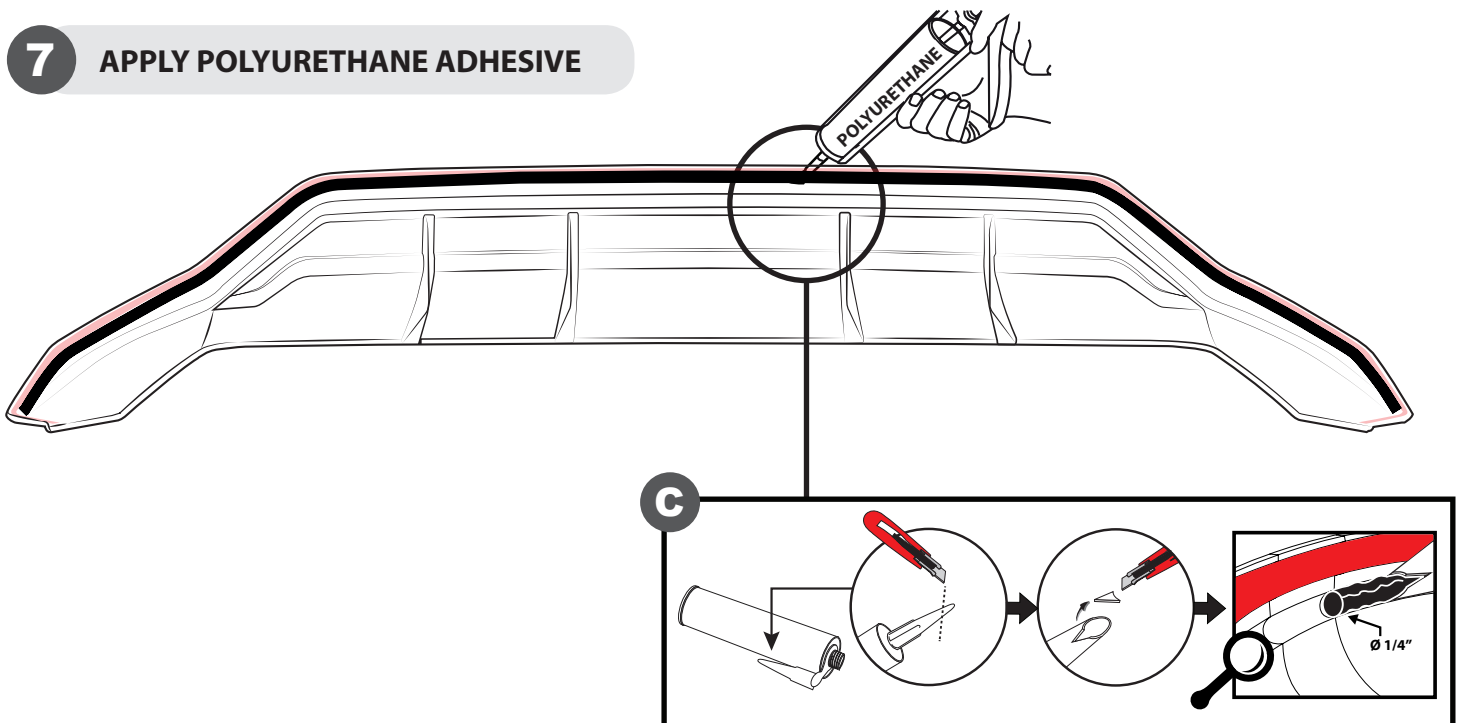
5 CLEAN ADHESIVE CHANNEL



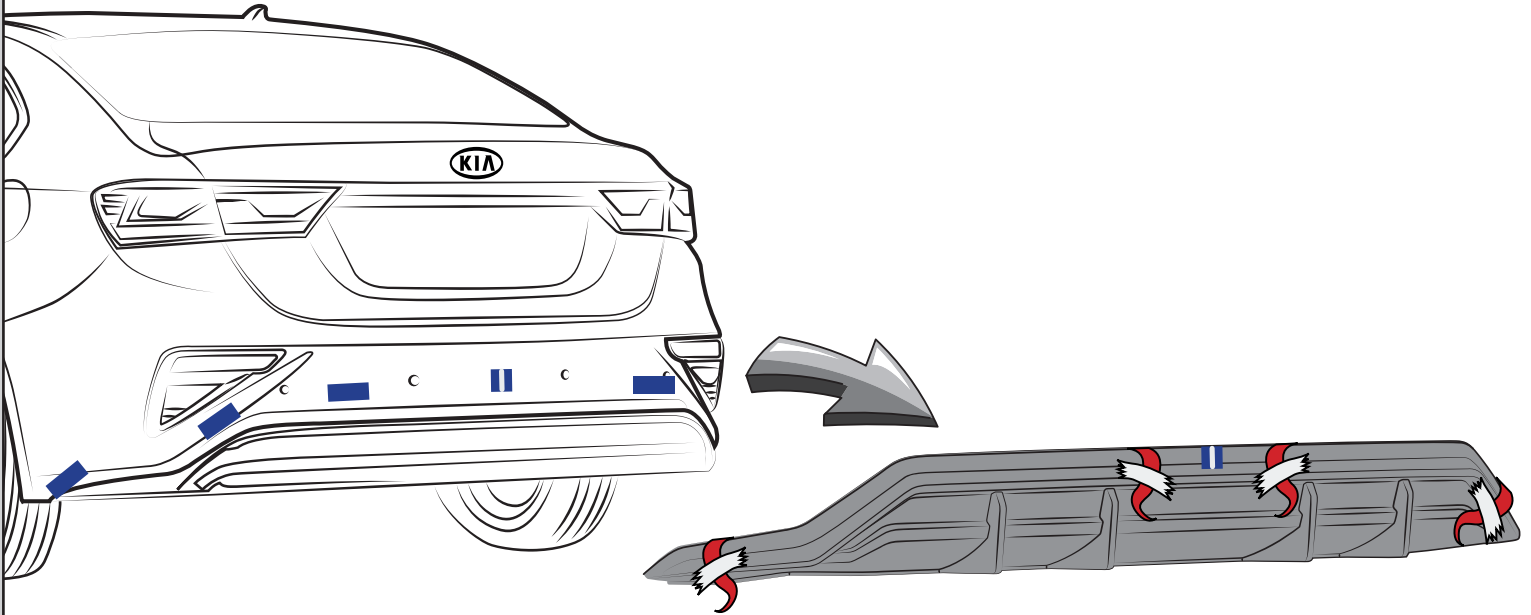
6 PEEL THE LINER LEADS



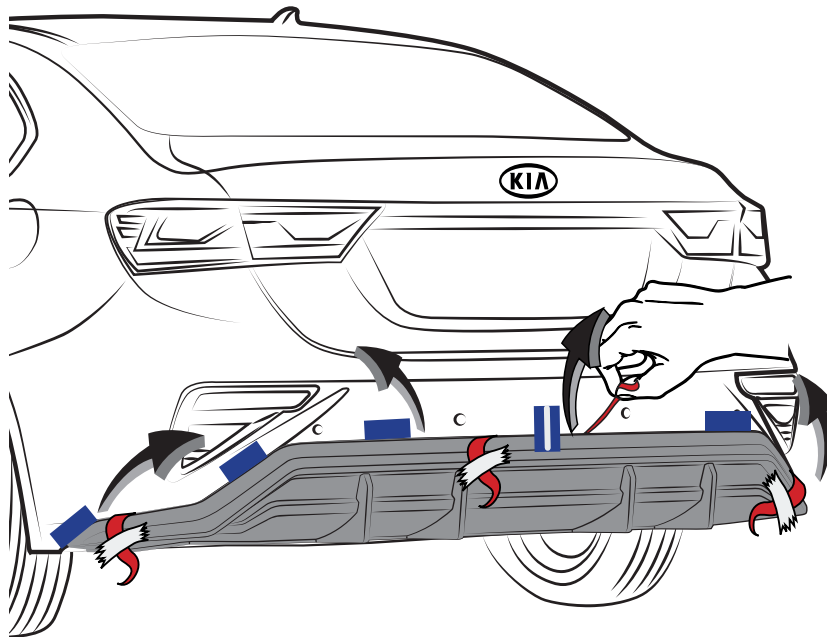
7 APPLY POLYURETHANE ADHESIVE



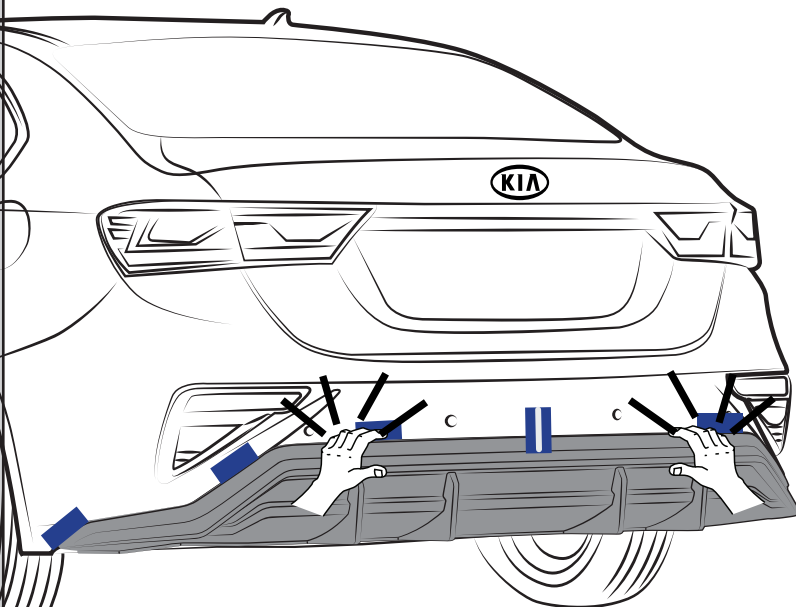
8 PLACE THE PART



9 REMOVE THE LINER AND PRESS



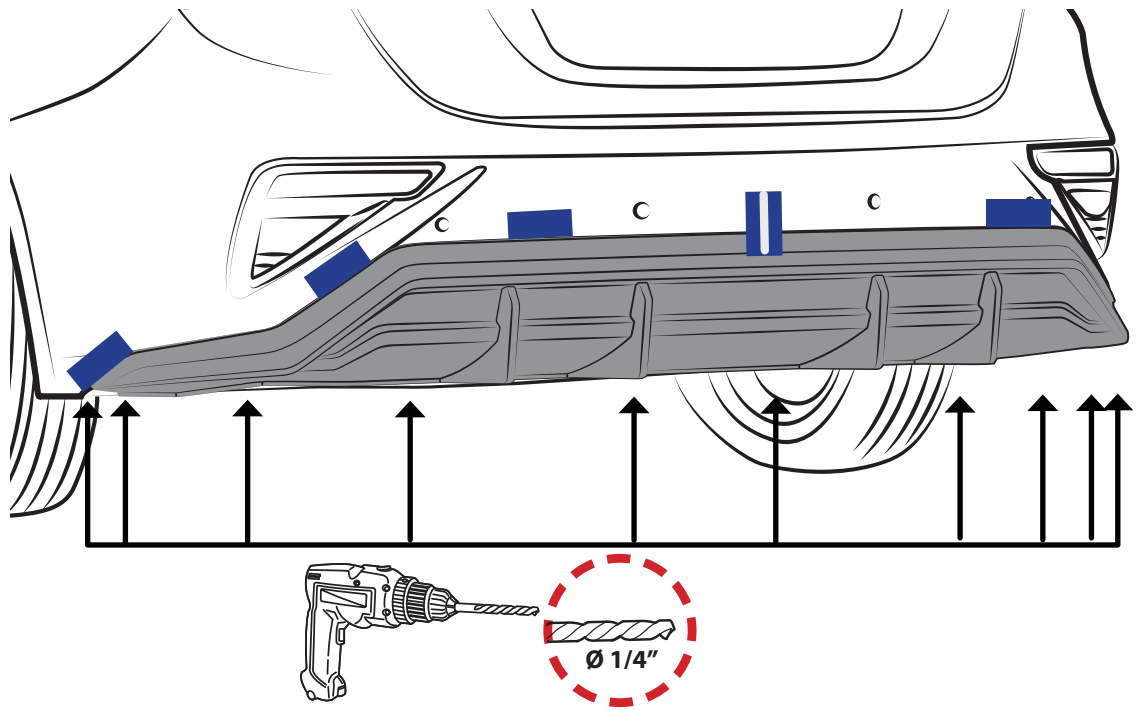
10 PRESS FIRMLY



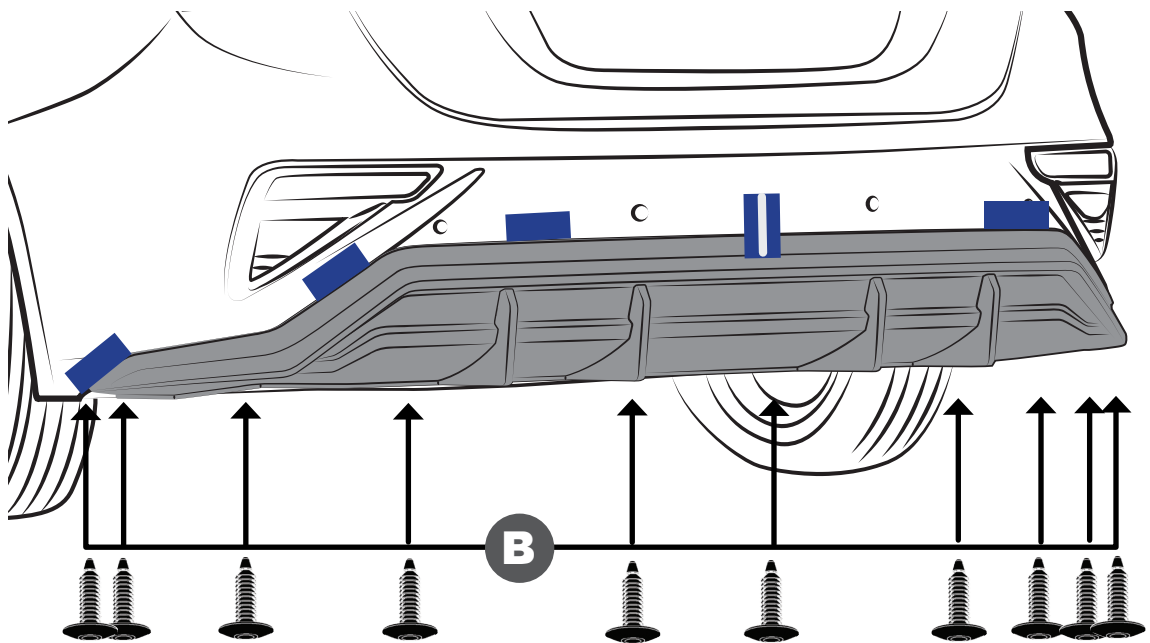
FULL AND COMPLETE CONTACT BETWEEN TAPE AND VEHICLE SURFACE IS CRUCIAL FOR GOOD ADHESION PERFORMANCE!
TAPE IS PRESSURE AND TEMPERATURE SENSITIVE!
PROPER CONTACT IS ACHIEVED BY APPLYING A PRESSURE BETWEEN 40 AND 50 N/CM². TAPE AND VEHICLE SURFACES SHOULD BE THE SAME TEMPERATURE AND MUST BE AT LEAST 60°F (25°F) DURING INSTALLATION!



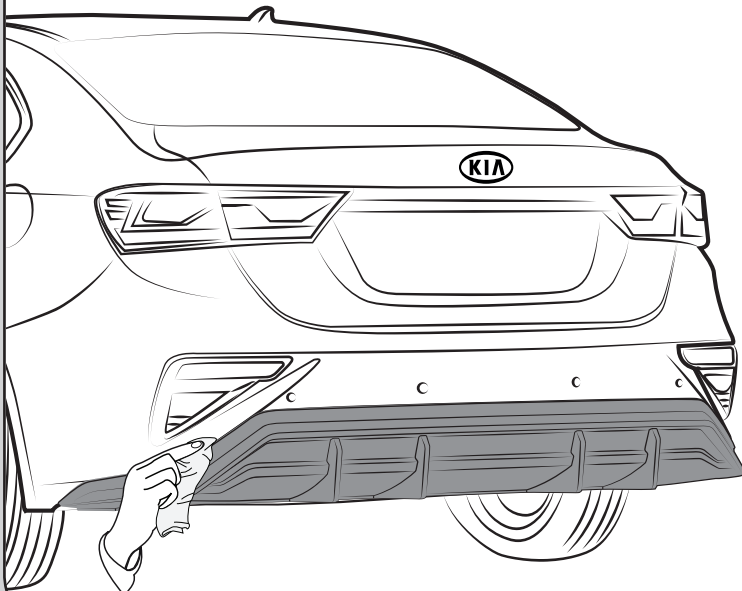
11 DRILL



12 PLACE WÜRTH PUSH PIN



13 CLEAN



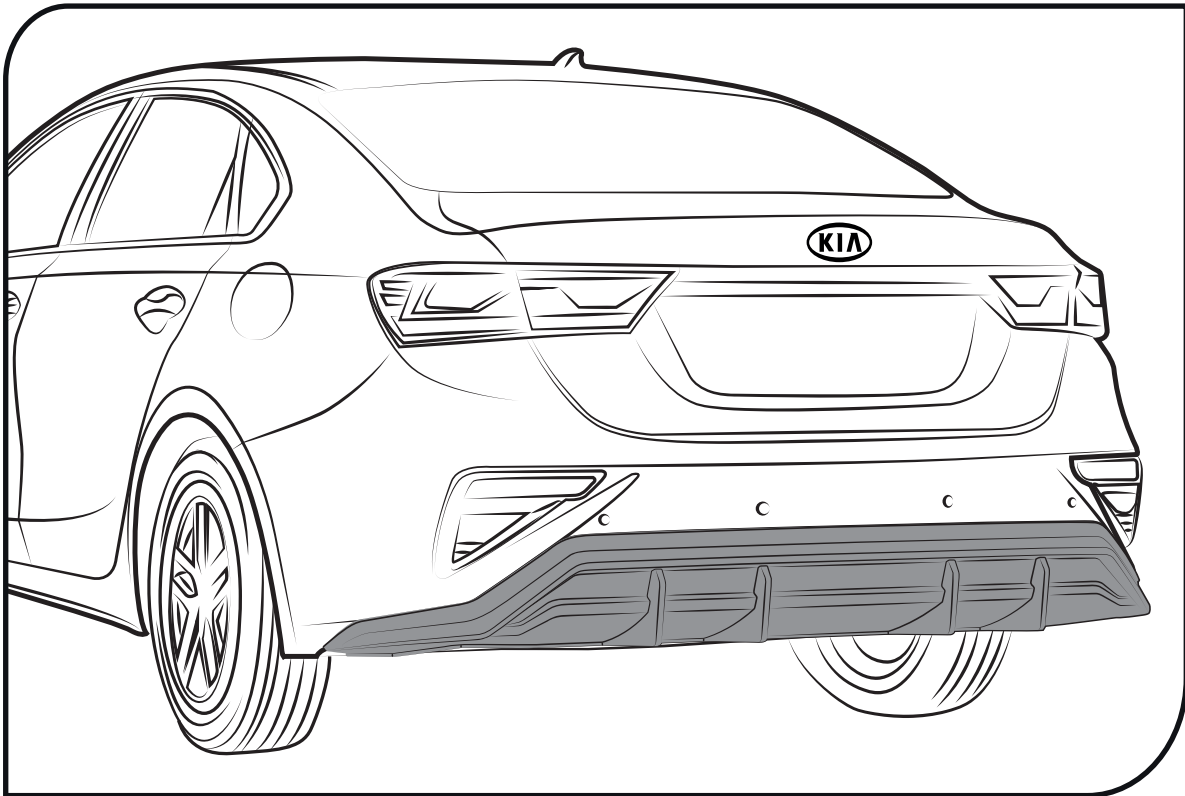
REMOVE MASKING





KIA FORTE SEDAN 2019

INSTALLATION MANUAL



INSTALLED PART



Painting Manual



IMPORTANT

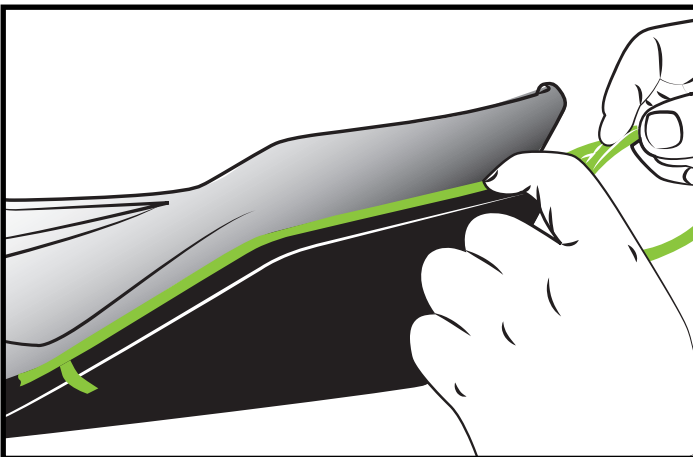


- a) Body Color Paint Procedure for Sport Kits coated in gray primer, with the lower area painted in Piano Black (or Glossy Black).
- b) KIA Sport Kit parts come from the Factory coated in gray primer (upper area) and Glossy Black (lower area).
- c) Glossy Black finish comes faded over the primer to achieve a better blending between Glossy Black finish and the base color.
- d) Please follow the next steps in order to apply the Body Color Base and the clear coat over the primer.

FOR THE FULL INSTALLATION ON THE VEHICLE, CHECK THE INCLUDED INSTRUCTION SHEET OR THE INSTALLATION VIDEO ON YOUTUBE.

STEPS TO FOLLOW

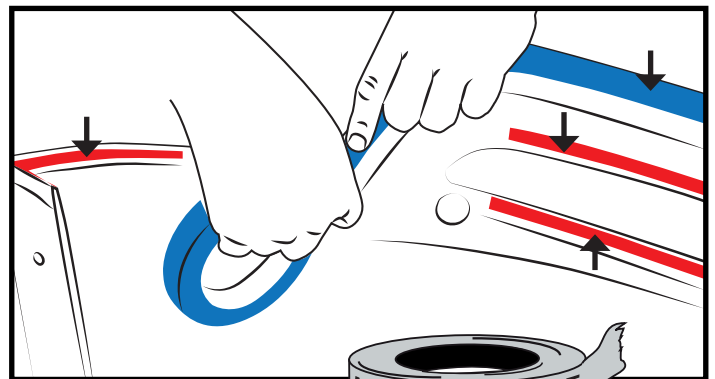
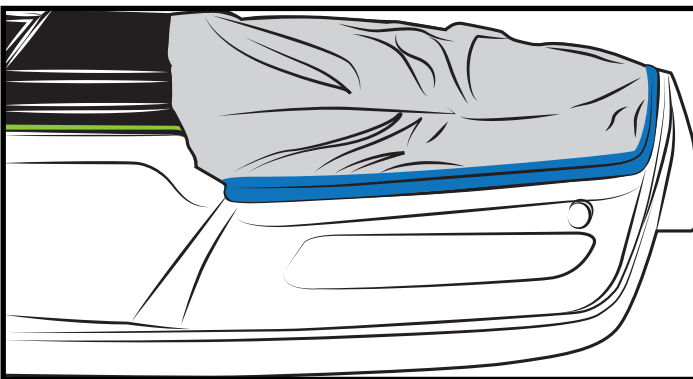
1 OUTLINE THE CONTOURS OF THE PART



TO PROTECT THE GLOSSY BLACK FINISH, OUTLINE THE CONTOURS OF THE PART WITH MASKING TAPE SIZE 1/4 AND 3/4.



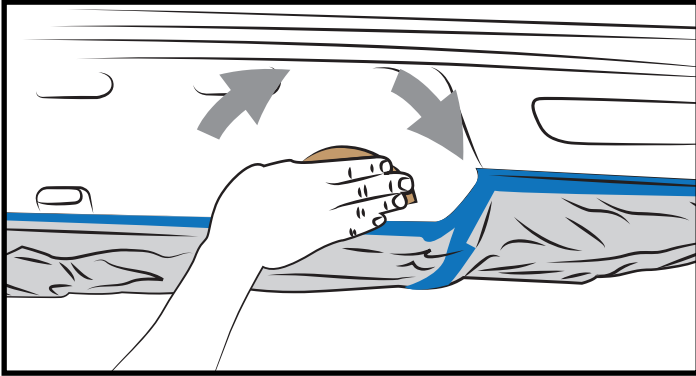
2 COVER THE GLOSSY BLACK ZONES



PROTECT WITH MASKING PAPER THE GLOSSY BLACK AREAS. PROTECT THE POLYURETHANE CHANNEL AND THE VHB TAPE.

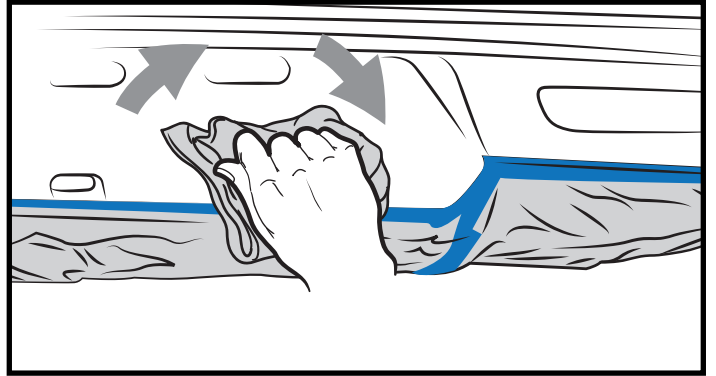
INSTALLATION MANUAL

3 SANDPAPER



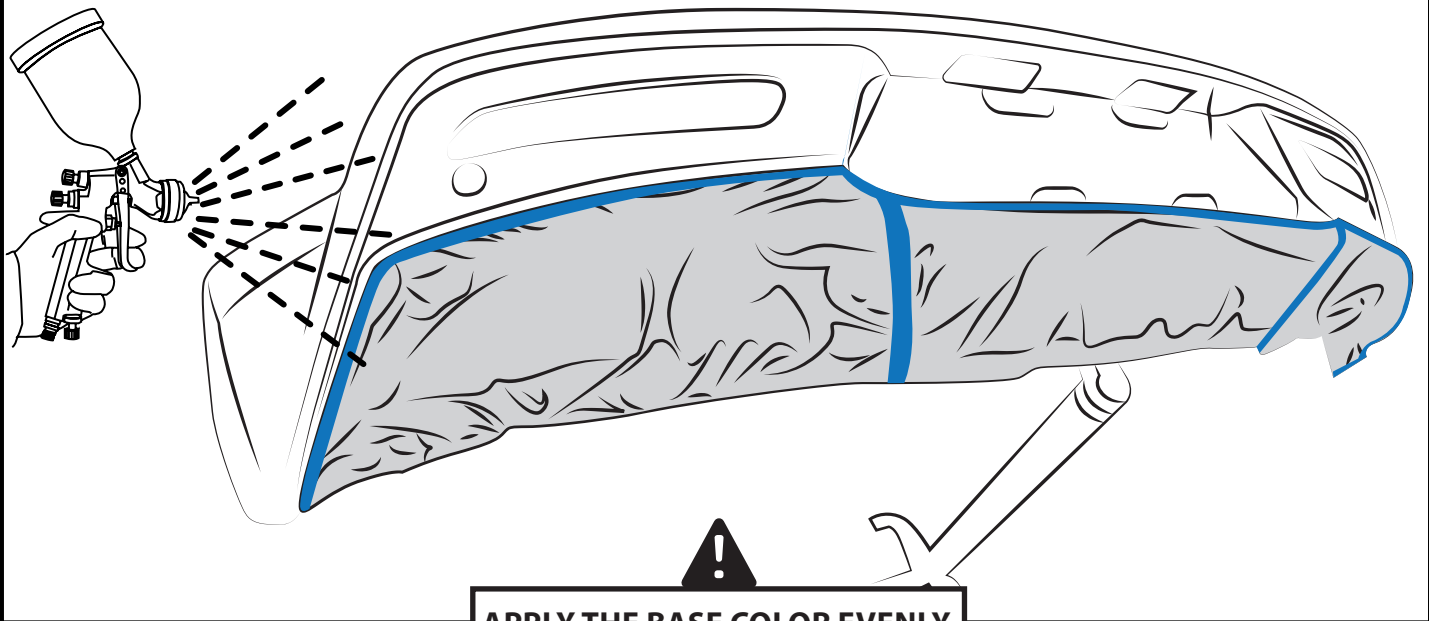
LIGHTLY SAND THE AREA WITH 600-GRIT SANDPAPER.

4 CLEAN



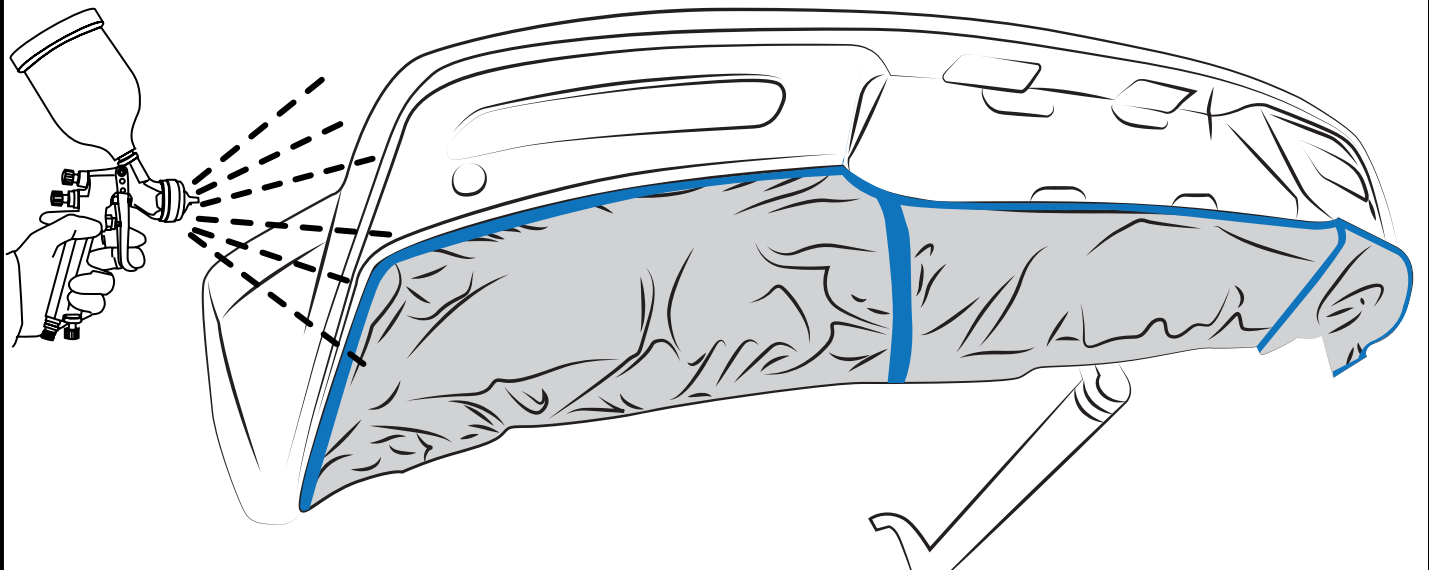
WIPE OFF DUST WITH FLANNEL CLOTH BEFORE APPLYING THE PAINT.

5 APPLY THE BASE COLOR



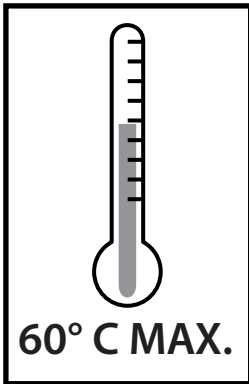
APPLY THE BASE COLOR EVENLY.

6 APPLY THE CLEAR COAT



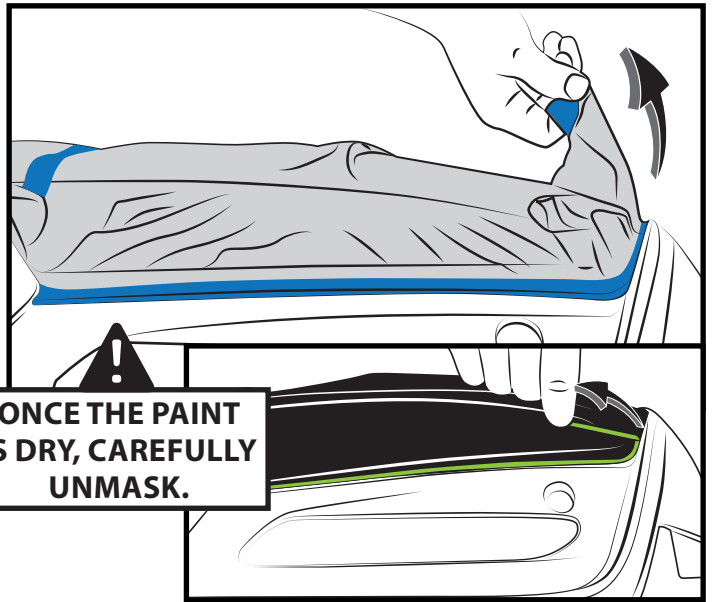
INSTALLATION MANUAL

7 CURE

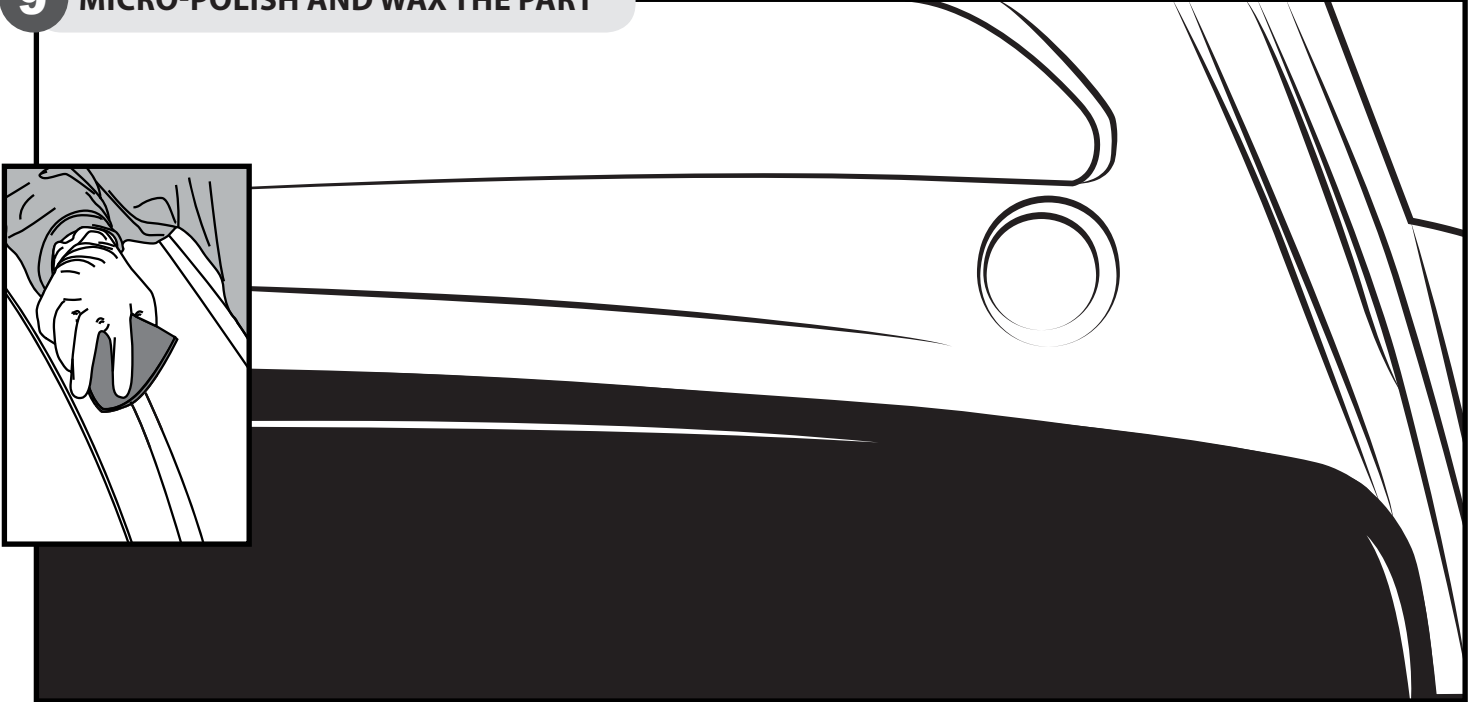


!
CURE IN AN OVEN FOR 30 MINUTES AT 60 °C MAXIMUM.

8 UNMASK



9 MICRO-POLISH AND WAX THE PART



! IMPORTANT **!**

STOCK THE PARTS IN SUITABLE RACKS TO PREVENT DAMAGE AND DEFORMATION.