



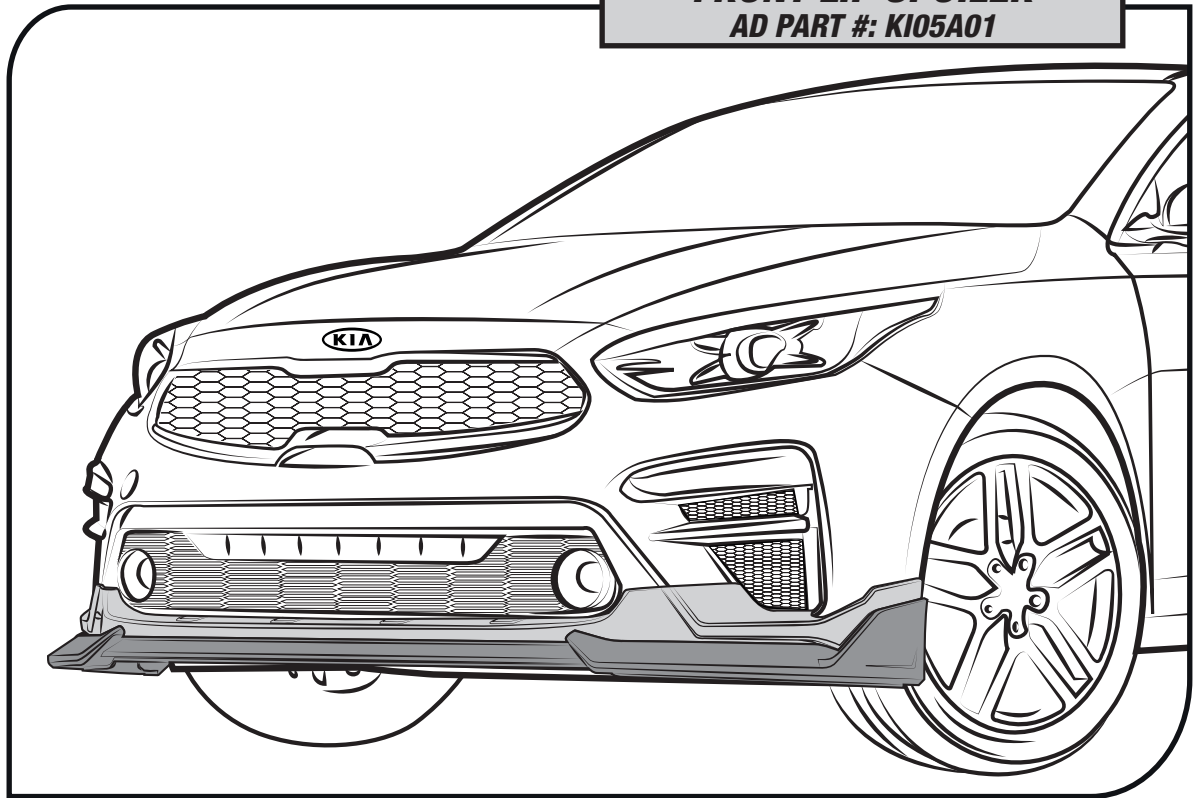
KIA FORTE SEDAN 2019

INSTALLATION MANUAL

FRONT LIP SPOILER AD PART #: KI05A01


**READ CAREFULLY
BEFORE INSTALLATION**


**WASH BEFORE
INSTALLING**

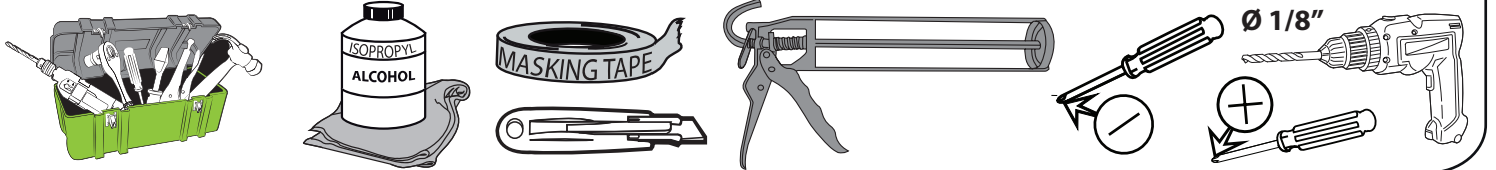



**WE RECOMMEND
2 PERSONS FOR
INSTALLATION**

**AFTER INSTALLING
DO NOT WASH CAR**







24 hrs

TOOLS



CHECK LIST

***ALREADY INSTALLED ON THE PART**

ITEM	DESCRIPTION	DRAWING	AMOUNT
A	*VHB TAPE		N/A
B	WÜRTH SCREW 4.8 x 25 mm		4 PCS
C	SPACERS	LH  RH 	2 PCS
D	POLYURETHANE ADHESIVE 310 ml		1 PC

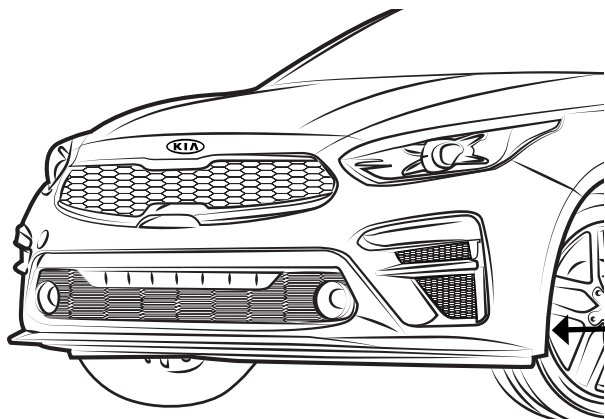


KIA FORTE SEDAN 2019

INSTALLATION MANUAL

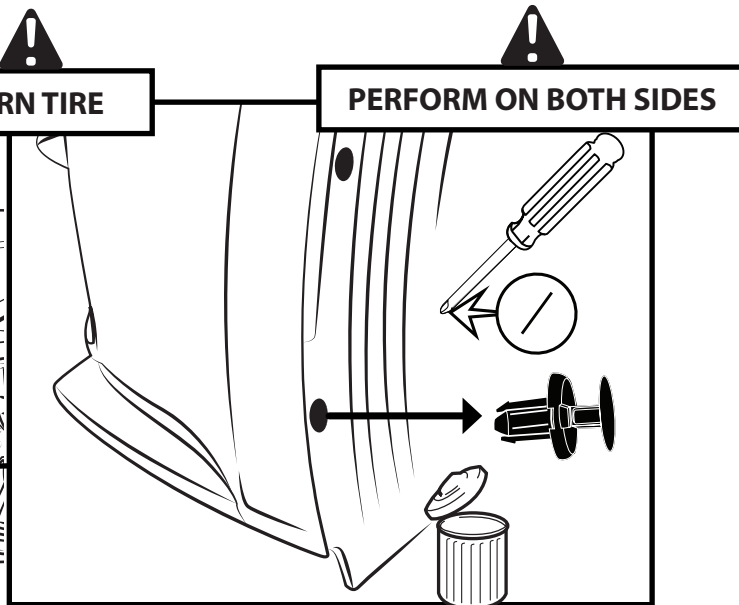
The ideal temperature range of the part and the vehicle when installing must be 16°C (60°F) to 40°C (104°F), this guarantees a correct assembly.

1 REMOVE ORIGINAL FIXATION

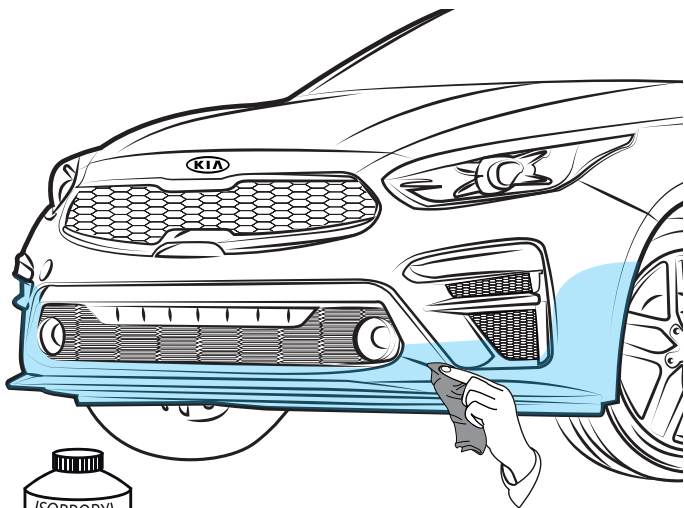


TURN TIRE

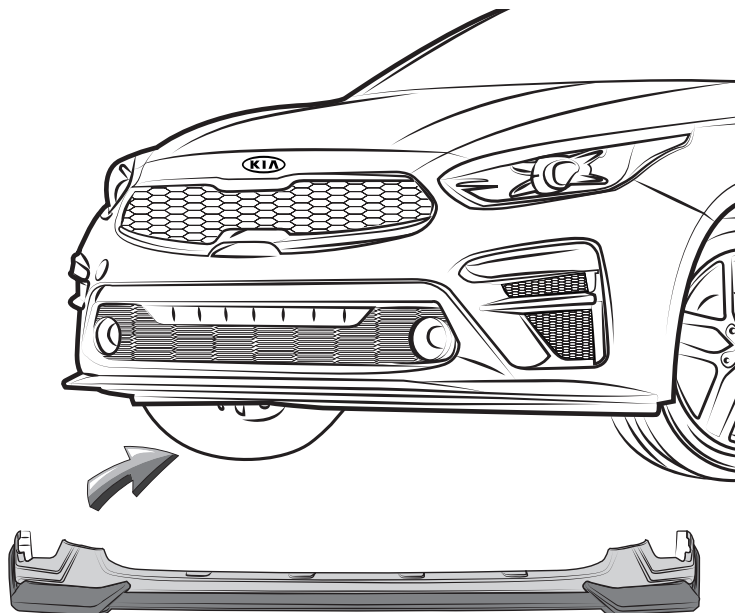
PERFORM ON BOTH SIDES



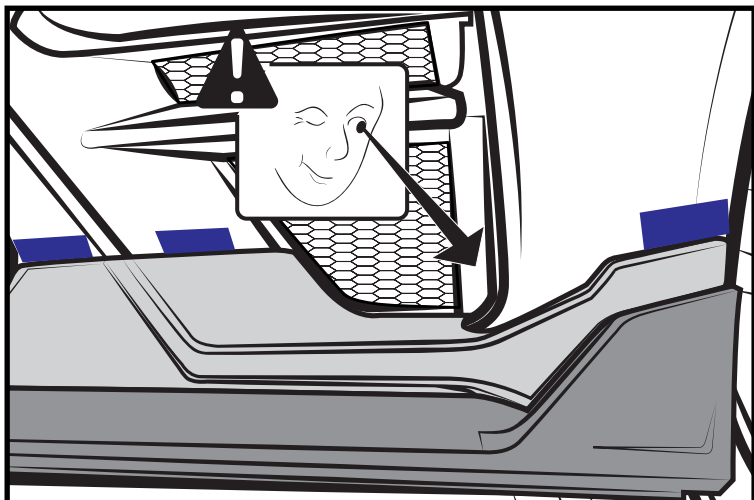
2 CLEAN THE INSTALLATION ZONE



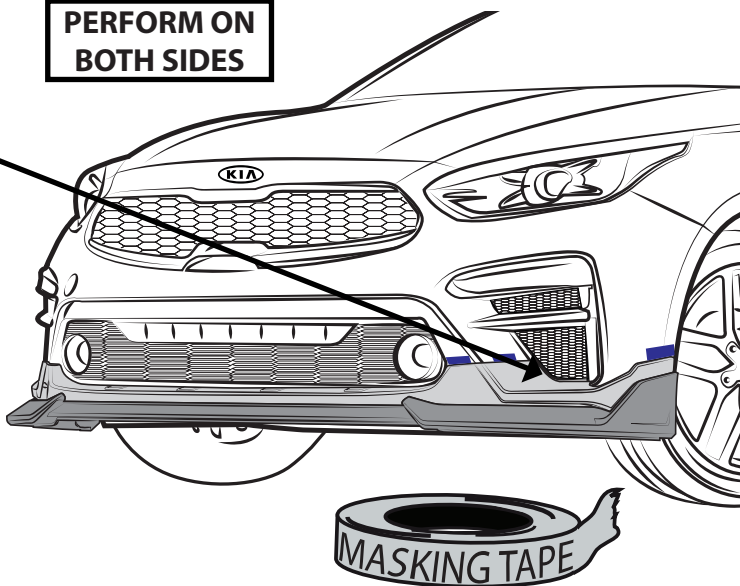
3 TEST FIT THE FRONT SPOILER



4 MARK

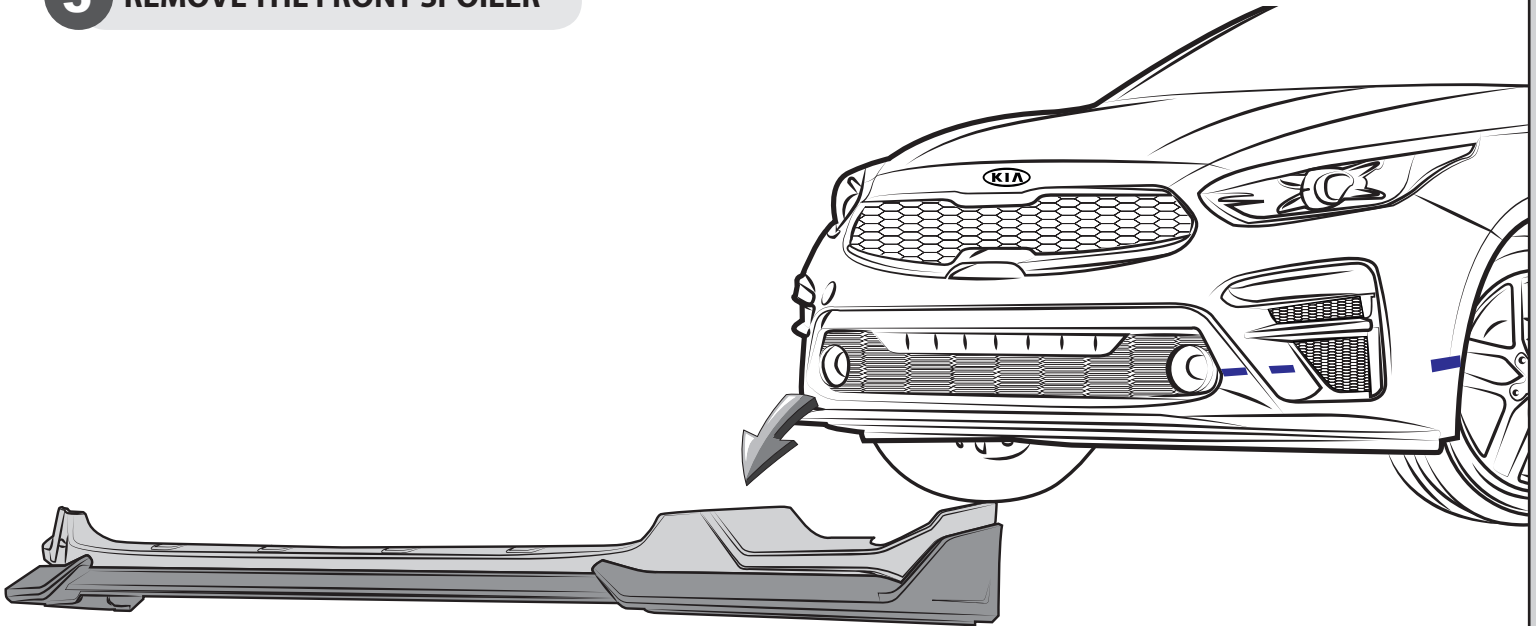


PERFORM ON BOTH SIDES

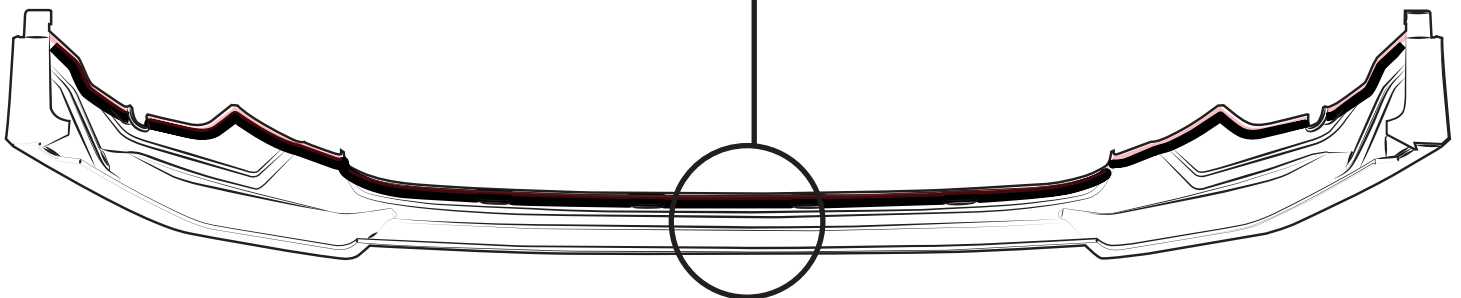
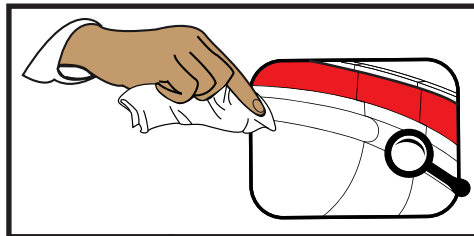




5 REMOVE THE FRONT SPOILER

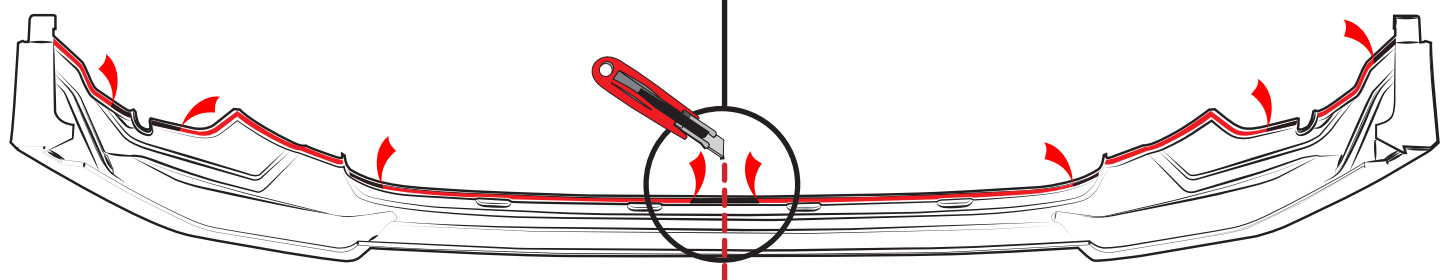
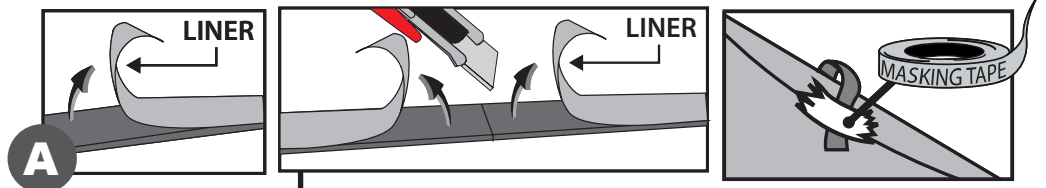


6 CLEAN ADHESIVE CHANNEL



7 PEEL THE LINER LEADS

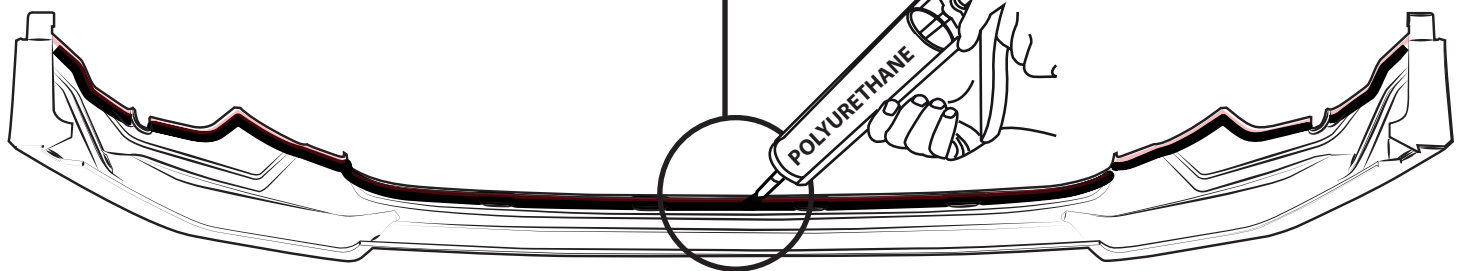
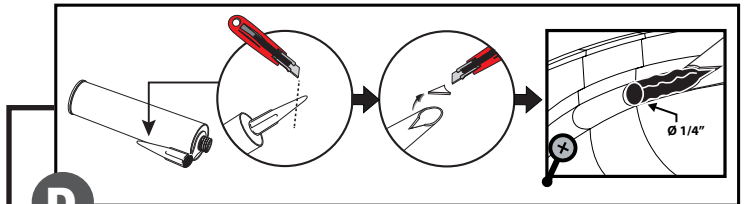
!
STICK THE LINER LEAD ON THE OUTSIDE



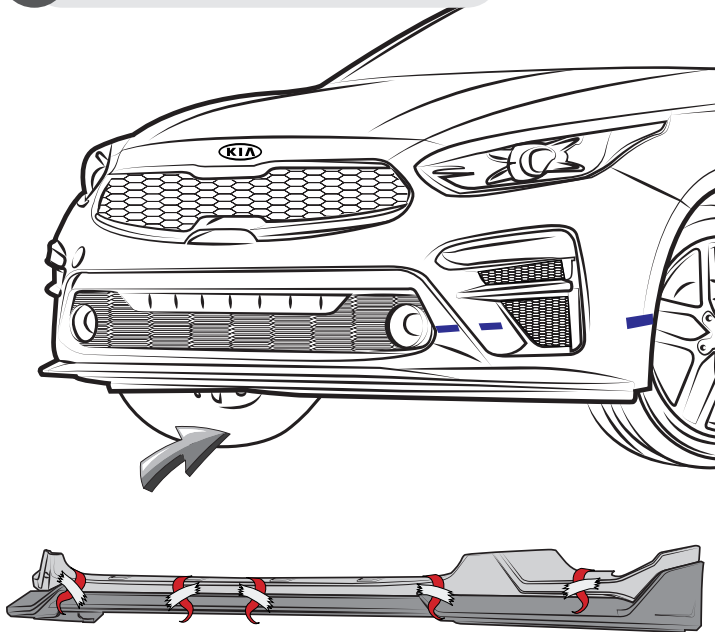


INSTALLATION MANUAL

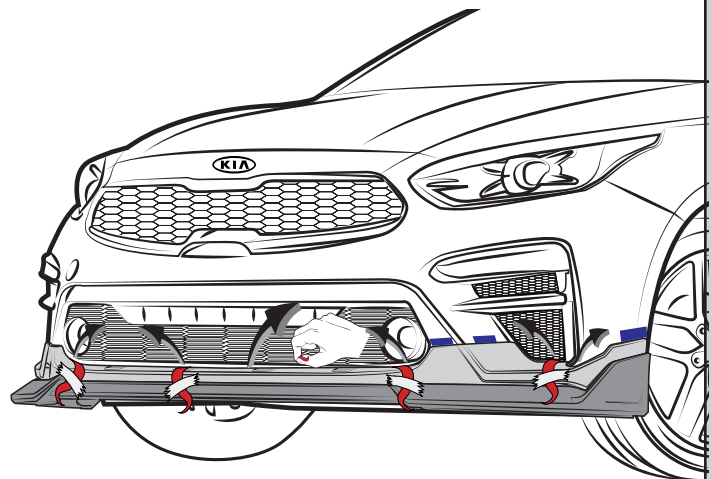
8 APPLY POLYURETHANE ADHESIVE



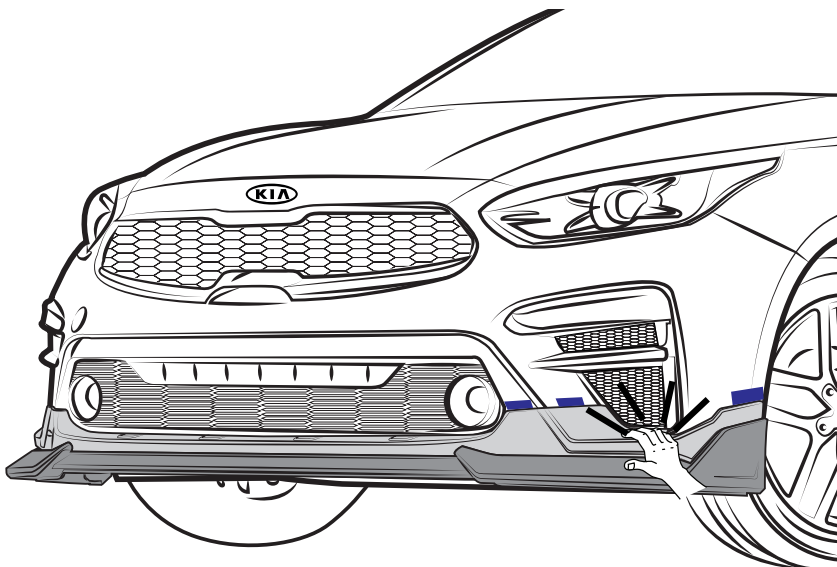
9 PLACE THE FRONT SPOILER



10 REMOVE THE LINER AND PRESS



11 PRESS FIRMLY



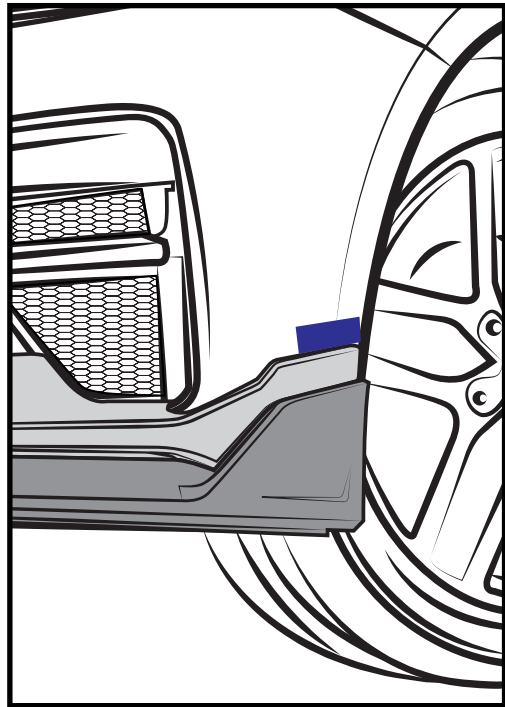
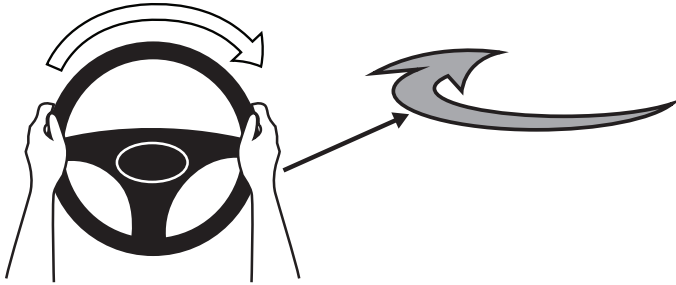
FULL AND COMPLETE CONTACT BETWEEN TAPE AND VEHICLE SURFACE IS CRUCIAL FOR GOOD ADHESION PERFORMANCE! TAPE IS PRESSURE AND TEMPERATURE SENSITIVE!

PROPER CONTACT IS ACHIEVED BY APPLYING A PRESSURE BETWEEN 40 AND 50 N/CM². TAPE AND VEHICLE SURFACES SHOULD BE THE SAME TEMPERATURE AND MUST BE AT LEAST 60°F (25°F) DURING INSTALLATION! DURING INSTALLATION!

INSTALLATION MANUAL

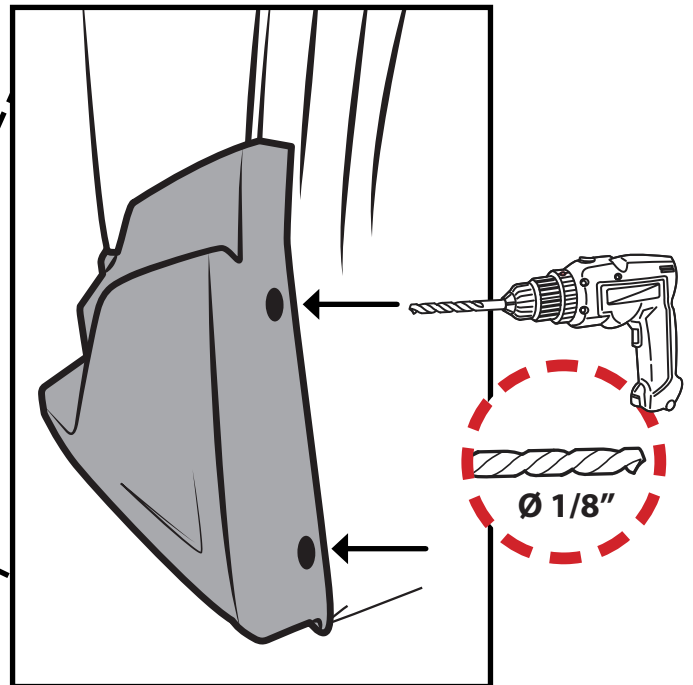
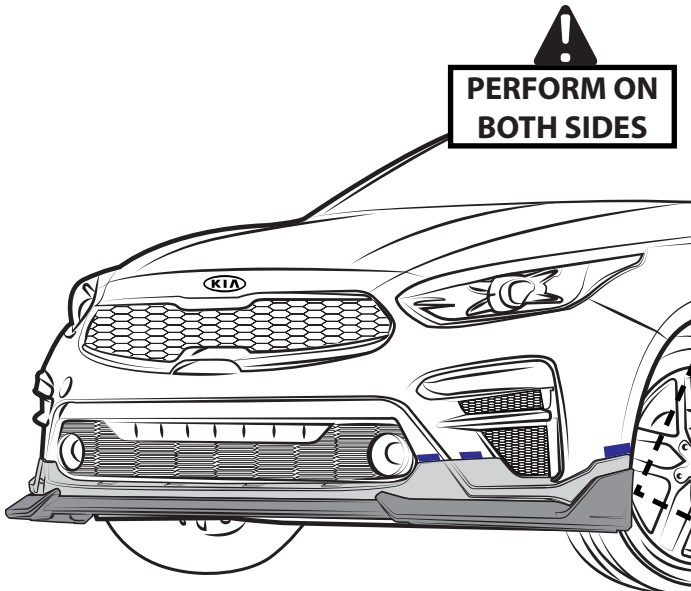
12 TURN TIRE

PERFORM ON BOTH SIDES



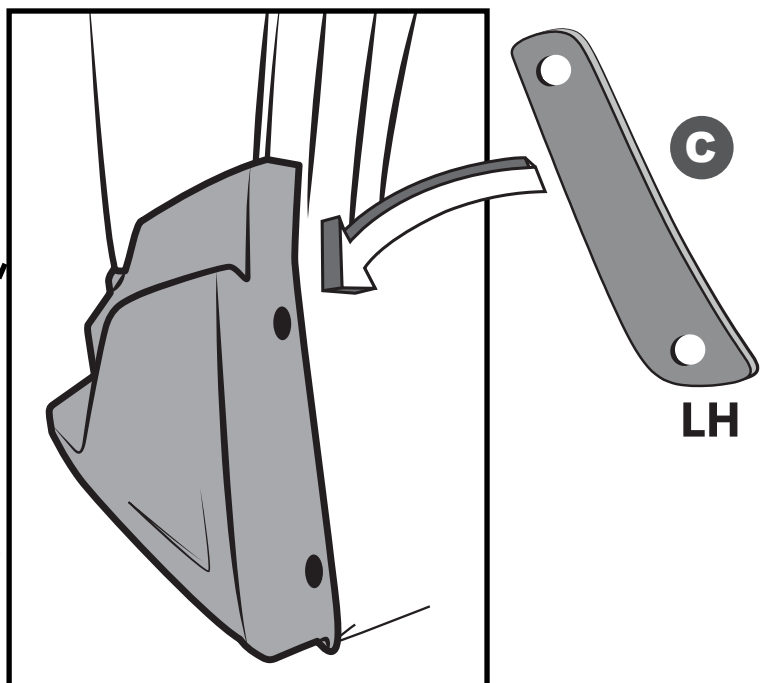
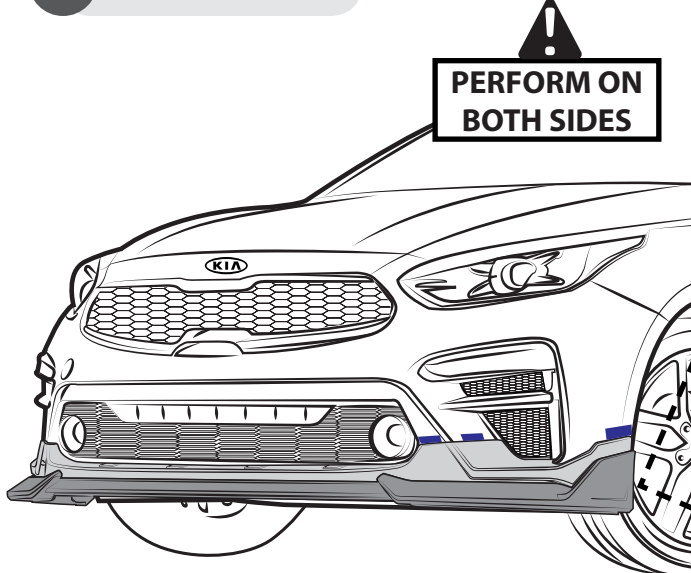
13 DRILL

PERFORM ON BOTH SIDES



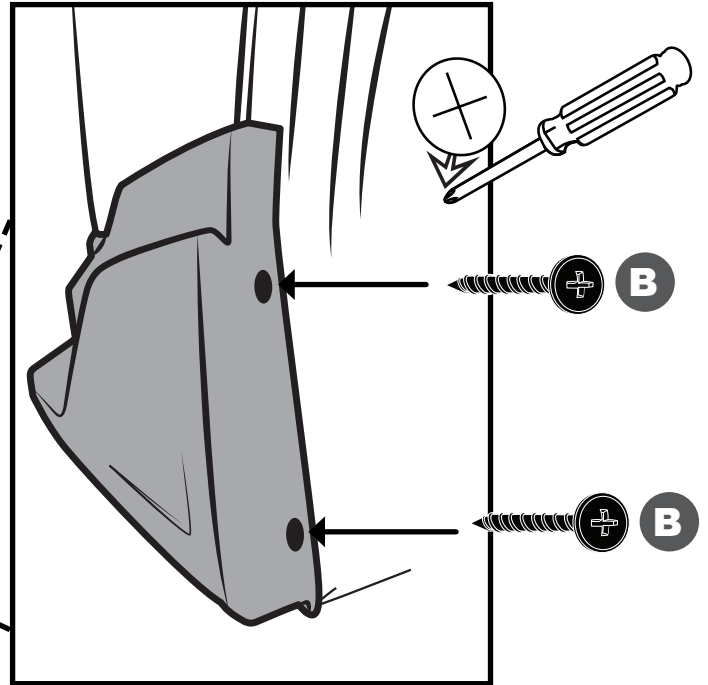
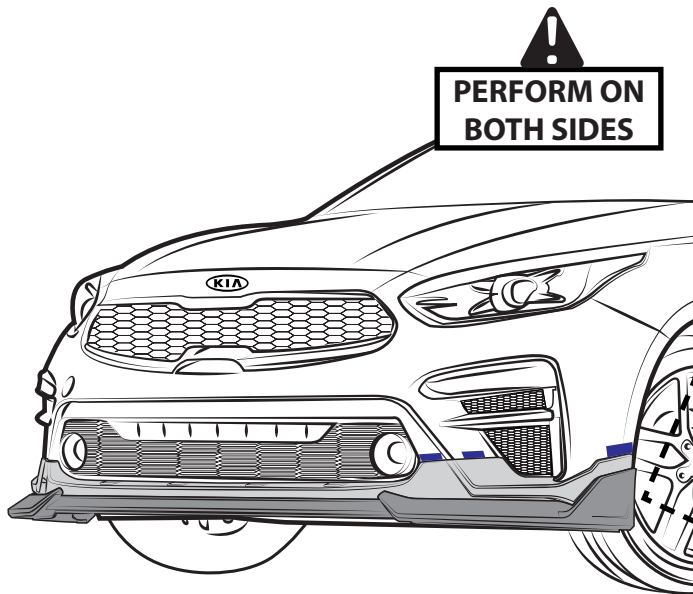
14 PLACE SPACER

PERFORM ON BOTH SIDES

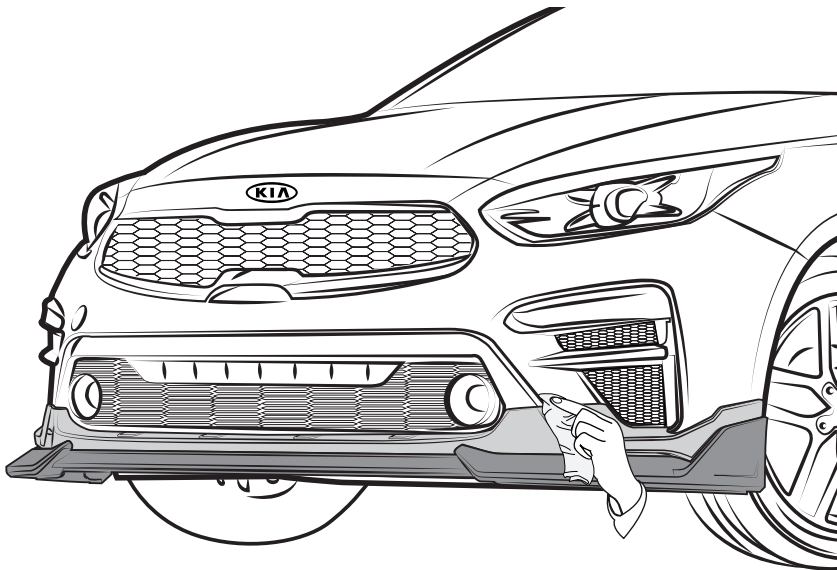




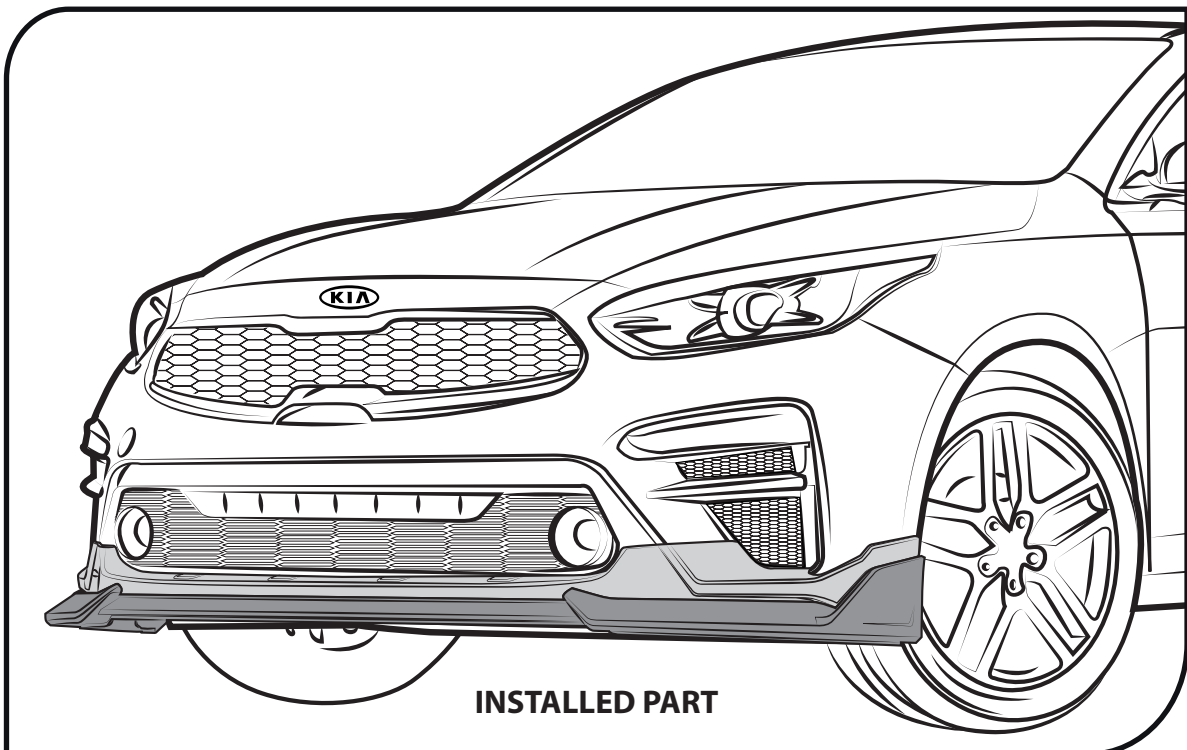
15 SCREW



16 CLEAN



REMOVE MASKING



INSTALLED PART





Painting Manual



IMPORTANT

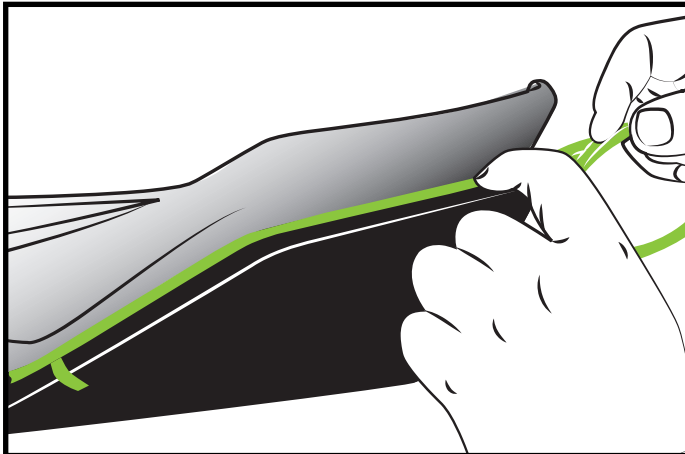


- a) Body Color Paint Procedure for Sport Kits coated in gray primer, with the lower area painted in Piano Black (or Glossy Black).
- b) KIA Sport Kit parts come from the Factory coated in gray primer (upper area) and Glossy Black (lower area).
- c) Glossy Black finish comes faded over the primer to achieve a better blending between Glossy Black finish and the base color.
- d) Please follow the next steps in order to apply the Body Color Base and the clear coat over the primer.

FOR THE FULL INSTALLATION ON THE VEHICLE, CHECK THE INCLUDED INSTRUCTION SHEET OR THE INSTALLATION VIDEO ON YOUTUBE.

STEPS TO FOLLOW

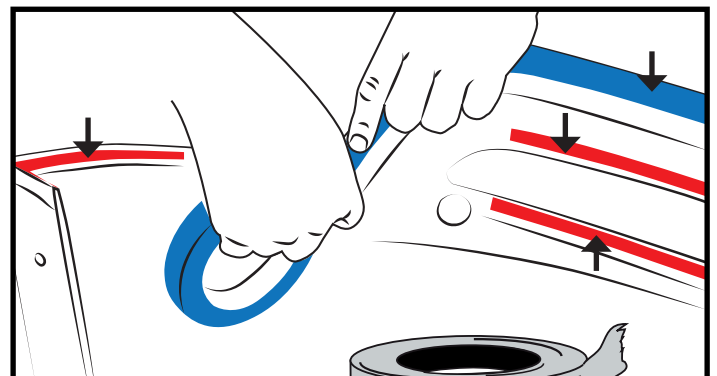
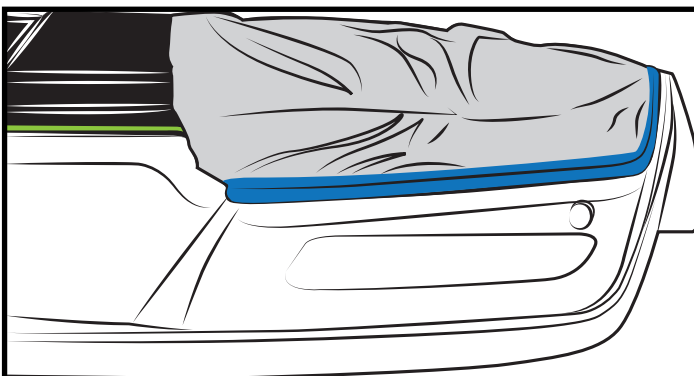
1 OUTLINE THE CONTOURS OF THE PART



TO PROTECT THE GLOSSY BLACK FINISH, OUTLINE THE CONTOURS OF THE PART WITH MASKING TAPE SIZE $\frac{1}{4}$ AND $\frac{3}{4}$.



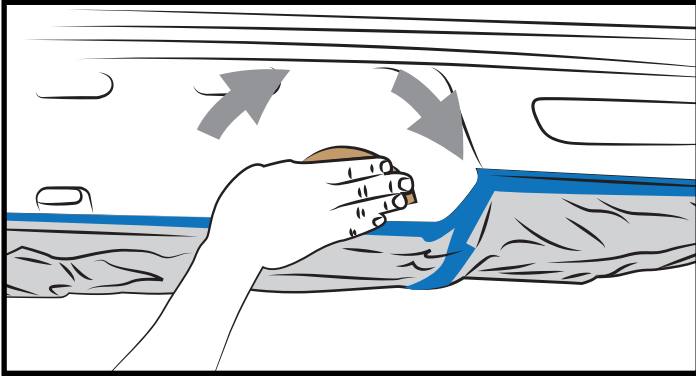
2 COVER THE GLOSSY BLACK ZONES



PROTECT WITH MASKING PAPER THE GLOSSY BLACK AREAS. PROTECT THE POLYURETHANE CHANNEL AND THE VHB TAPE.

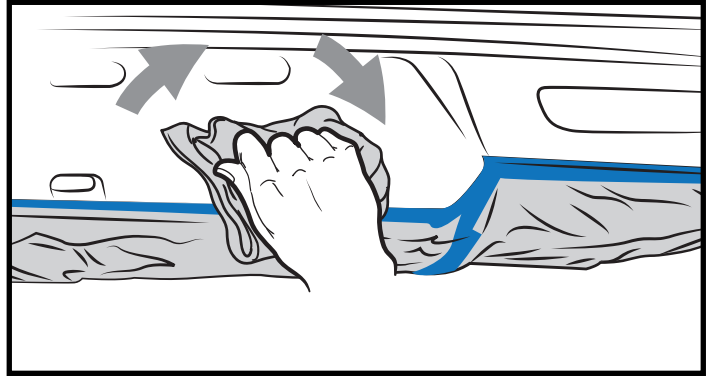
INSTALLATION MANUAL

3 SANDPAPER



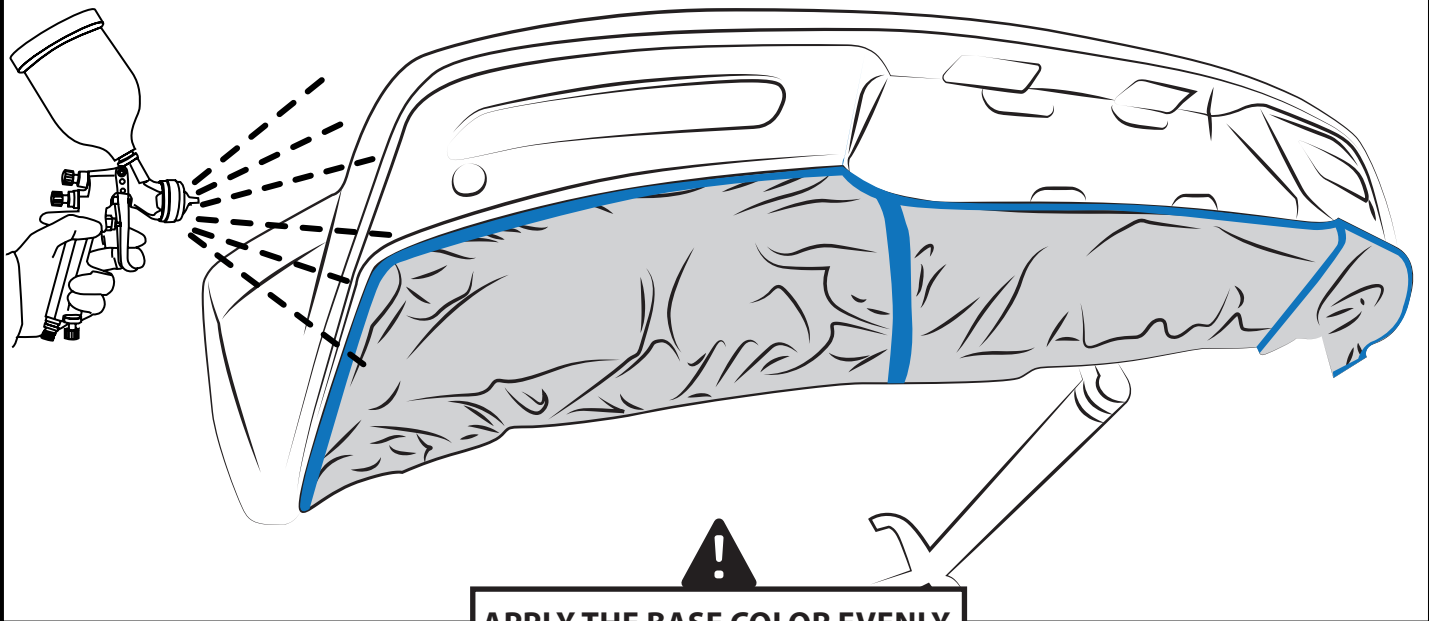
LIGHTLY SAND THE AREA WITH 600-GRIT SANDPAPER.

4 CLEAN



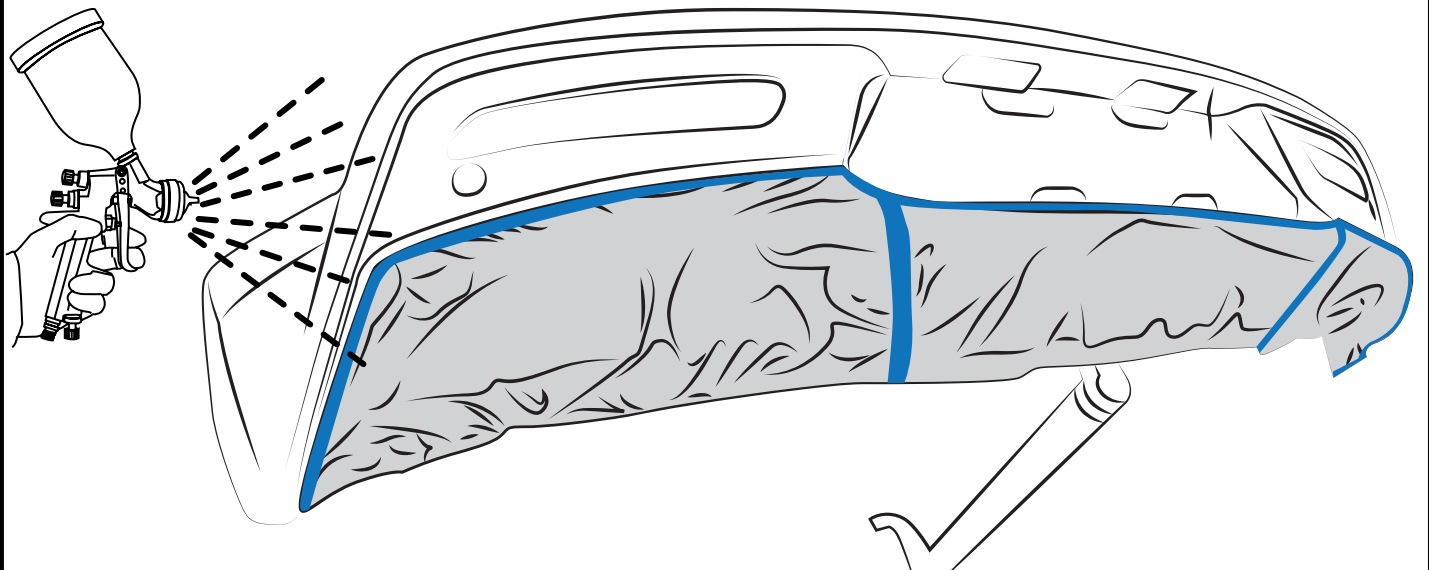
WIPE OFF DUST WITH FLANNEL CLOTH BEFORE APPLYING THE PAINT.

5 APPLY THE BASE COLOR



APPLY THE BASE COLOR EVENLY.

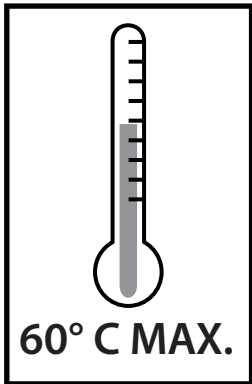
6 APPLY THE CLEAR COAT





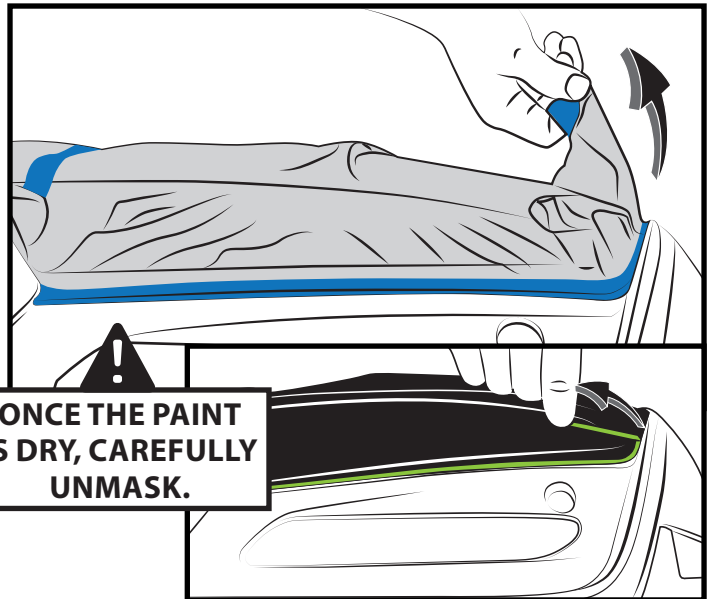
INSTALLATION MANUAL

7 CURE



!
CURE IN AN OVEN FOR 30 MINUTES AT 60 °C MAXIMUM.

8 UNMASK



!
ONCE THE PAINT IS DRY, CAREFULLY UNMASK.

9 MICRO-POLISH AND WAX THE PART



IMPORTANT



STOCK THE PARTS IN SUITABLE RACKS TO PREVENT DAMAGE AND DEFORMATION.