

INSTALLATION MANUAL



**READ CAREFULLY
BEFORE INSTALLATION**

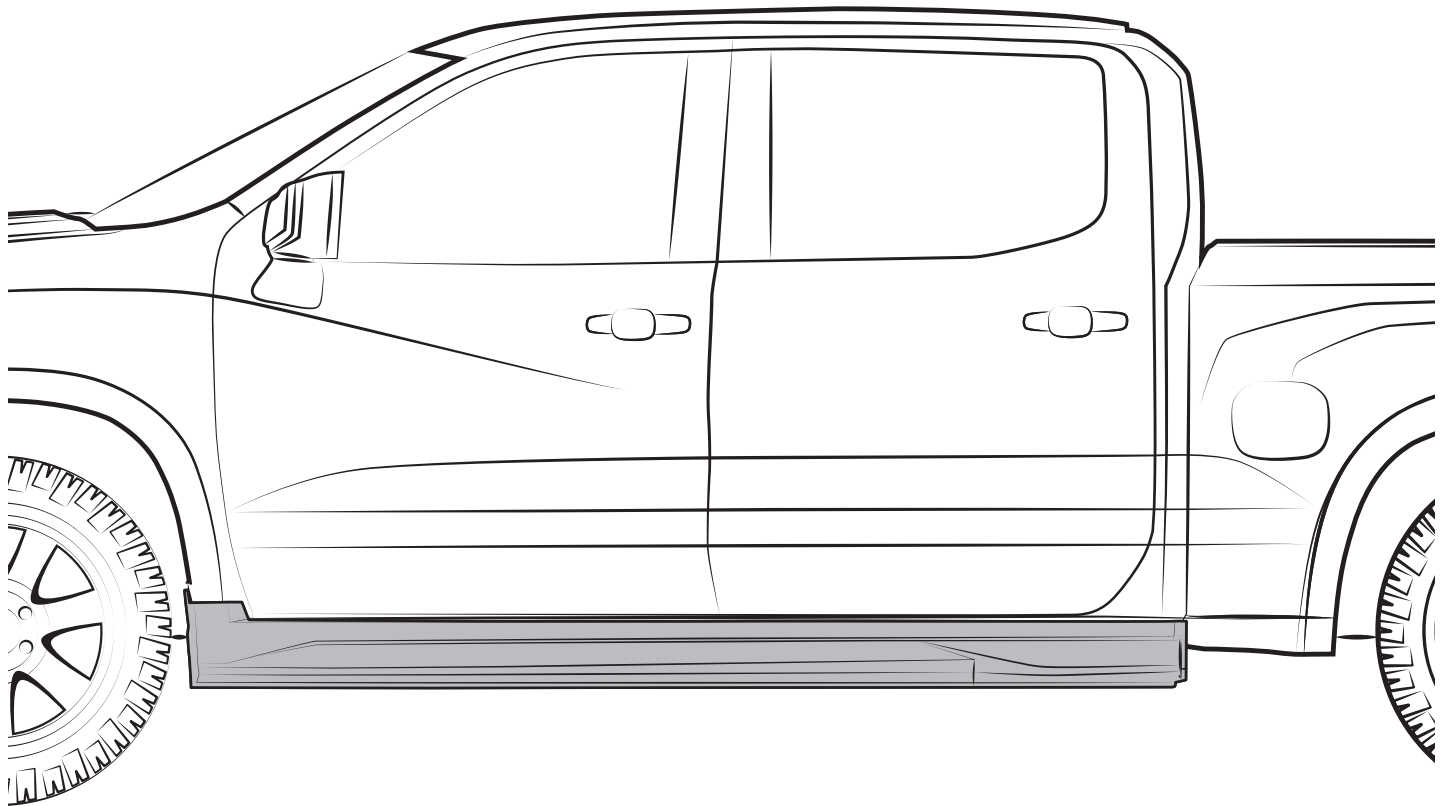


**WASH & CLEAN
PROPERLY BEFORE
INSTALLING**

SIDE SKIRT CREW CAB

LH AD PART #: GM39A24

RH AD PART #: GM39A25



**WE RECOMMEND
2 PERSON
INSTALLATION**

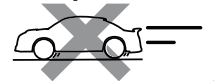
AFTER INSTALLING

**DO NOT
WASH CAR**

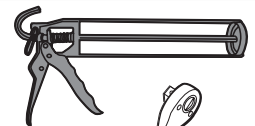
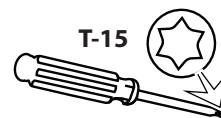
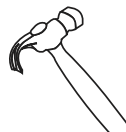
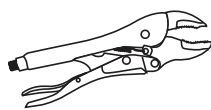


24 hrs

**DRIVE SLOWLY
25 mph max**





TOOLS



CHECK LIST

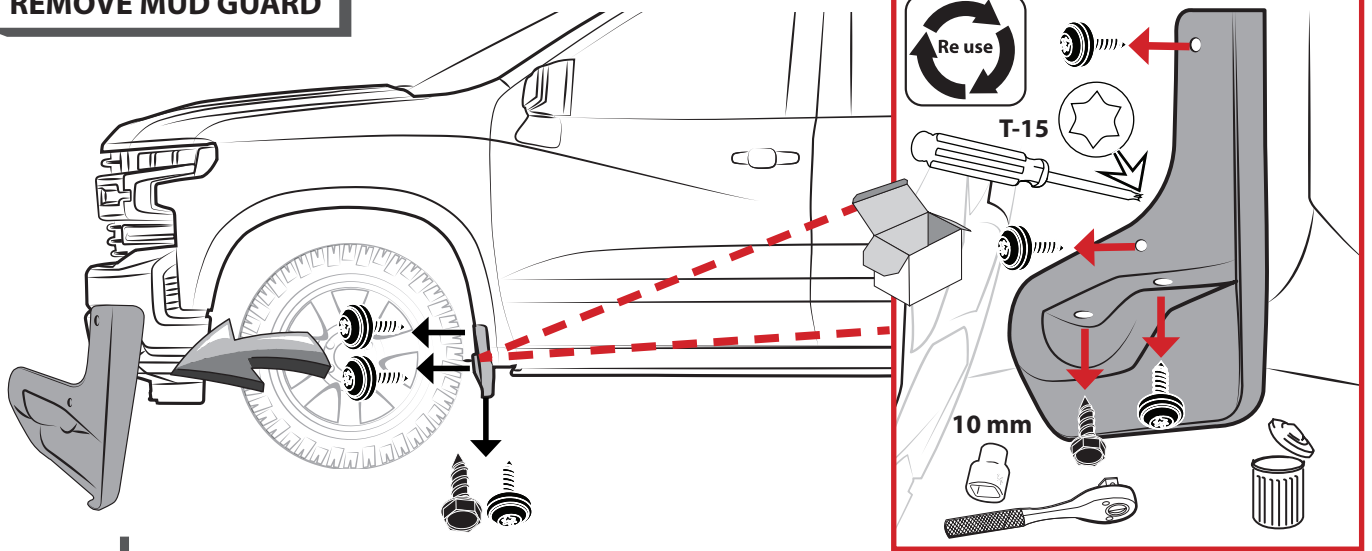
***Already installed in the part**

ITEM	DESCRIPTION	DRAWING	AMOUNT
A	*VHB TAPE		INCLUDED IN THE PARTS
B	POLYURETHANE ADHESIVE		1 PC

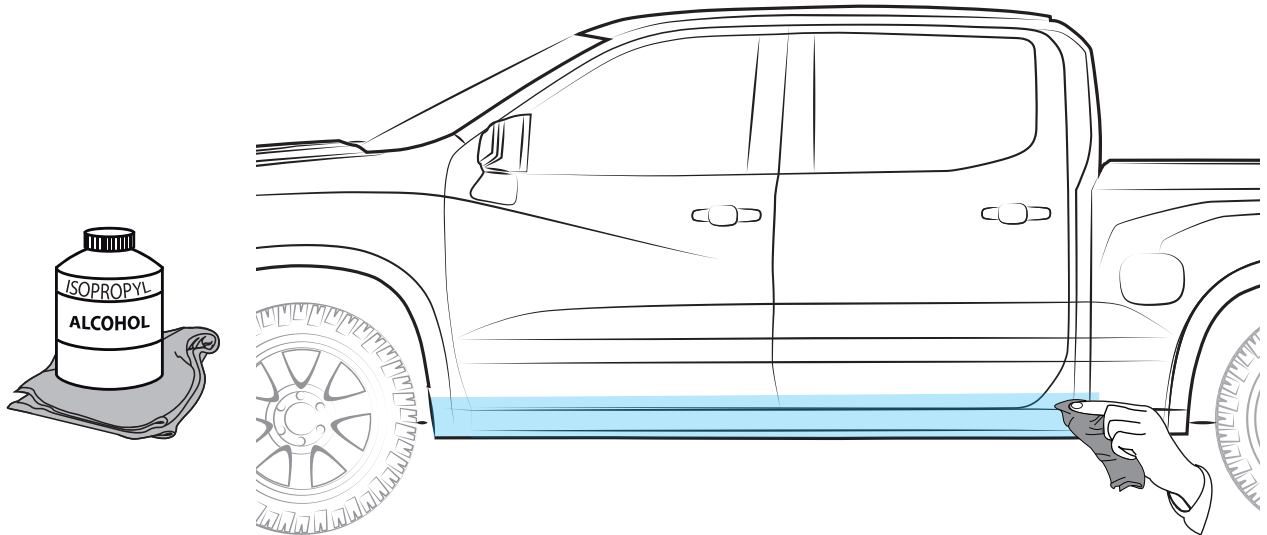
INSTALLATION MANUAL

The ideal temperature range of the part and the vehicle when installing must be 16°C (60°F) to 40°C (104°F), this guarantees a correct assembly.

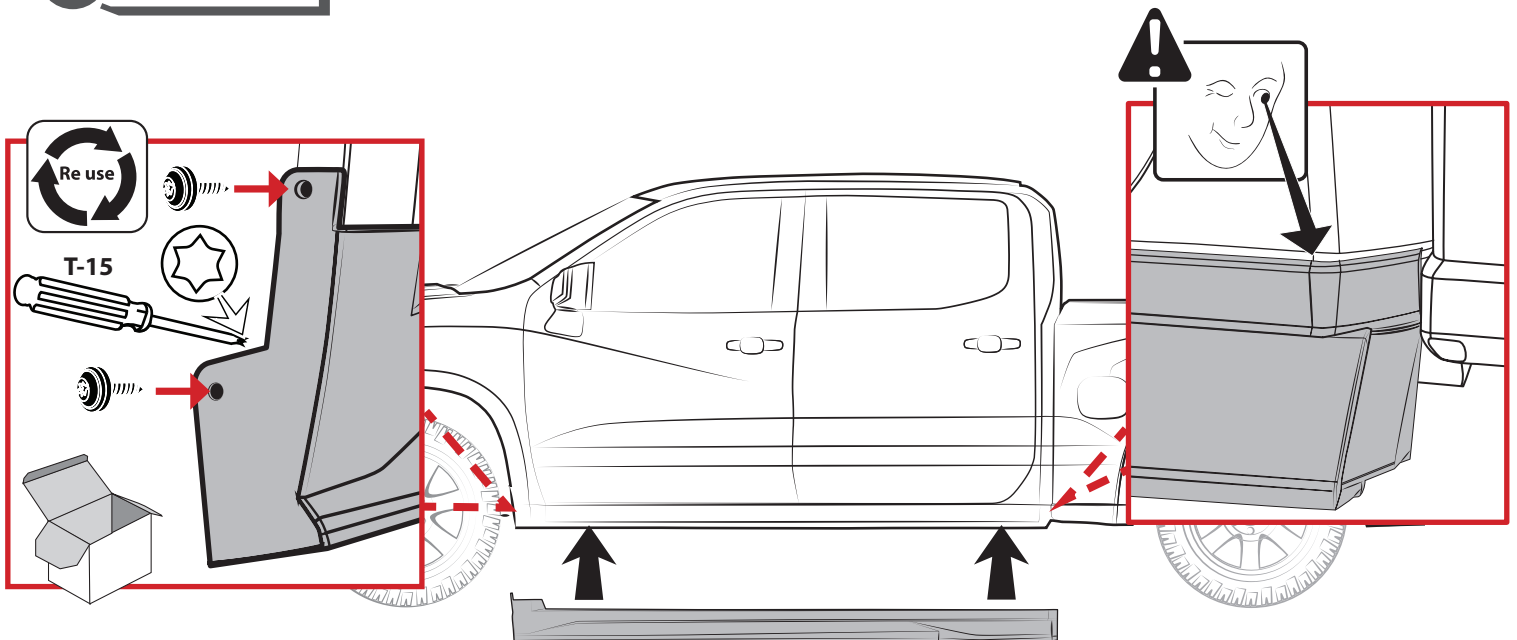
1 REMOVE MUD GUARD



2 CLEAN

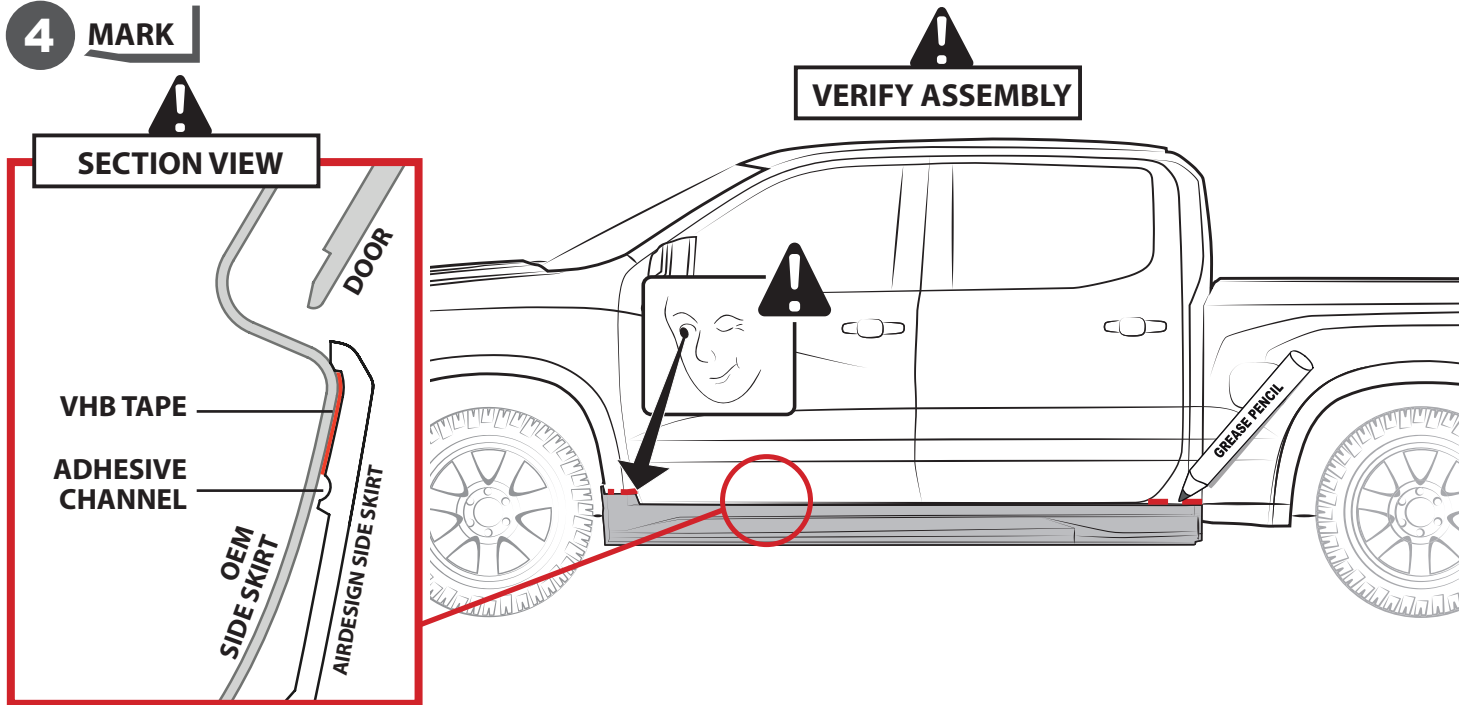


3 PRE-INSTALL

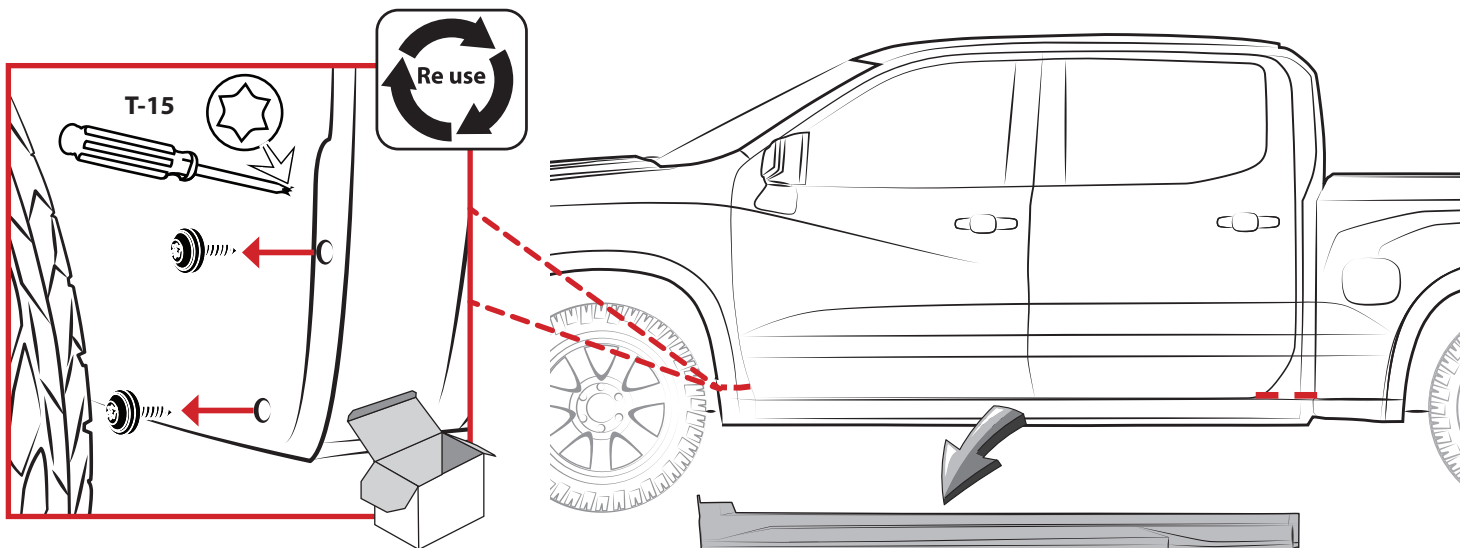


INSTALLATION MANUAL

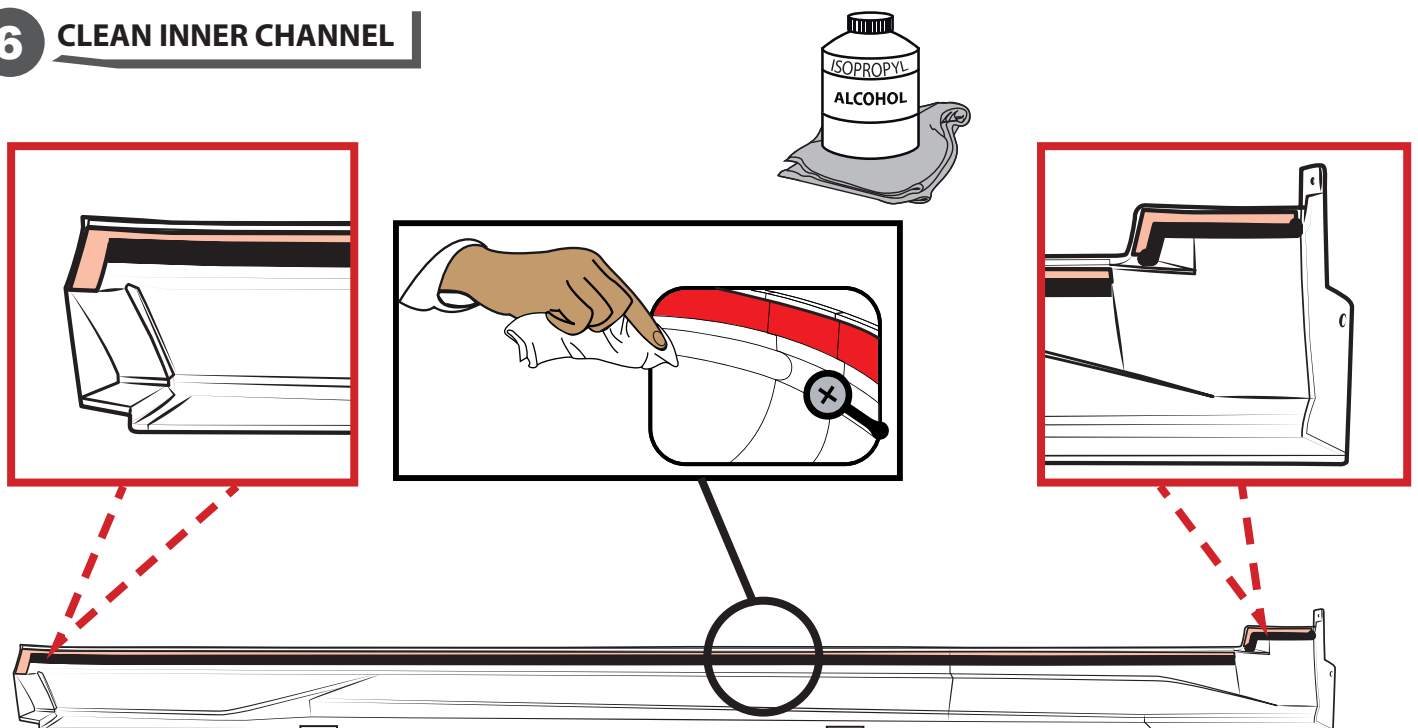
4 MARK



5 UNSCREW & REMOVE

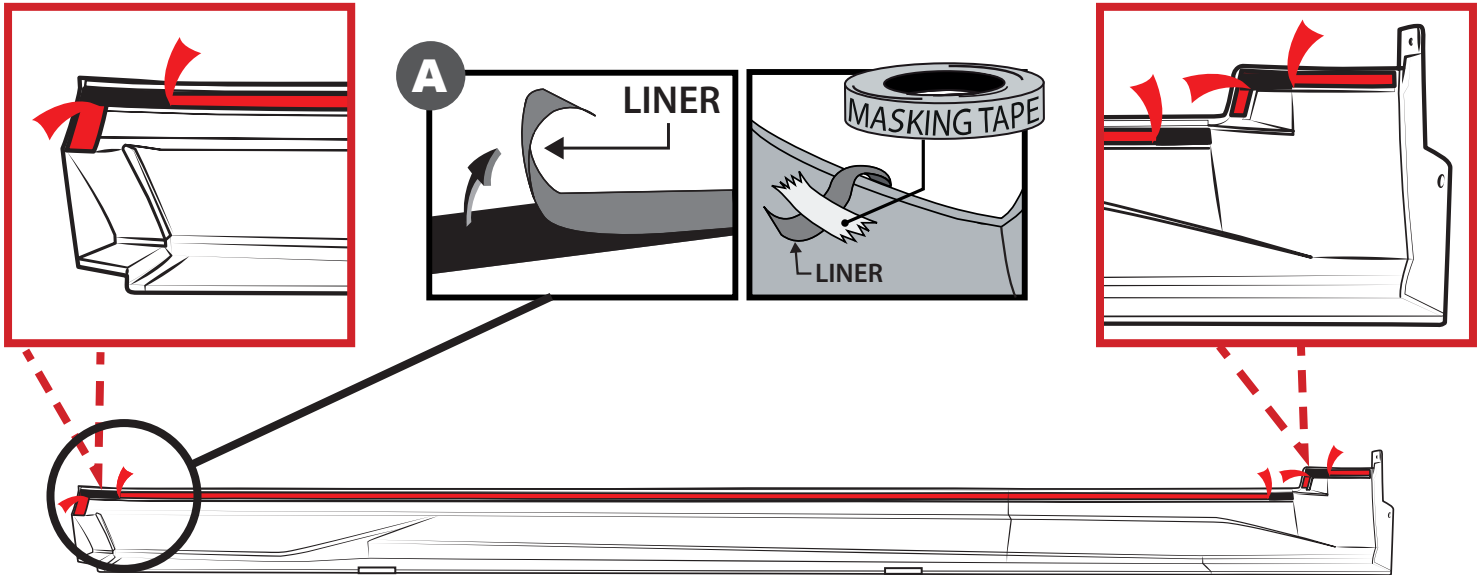


6 CLEAN INNER CHANNEL

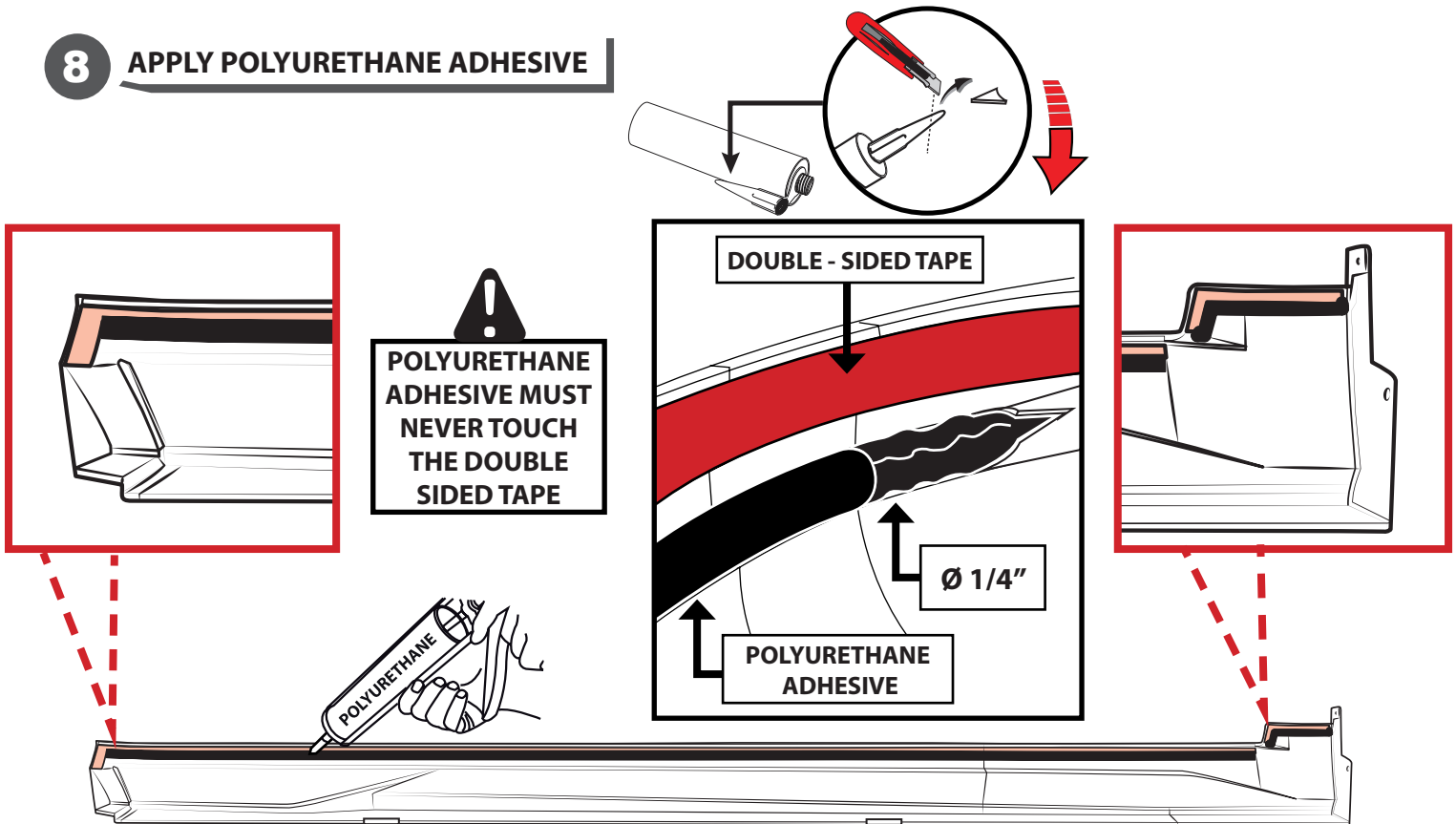


INSTALLATION MANUAL

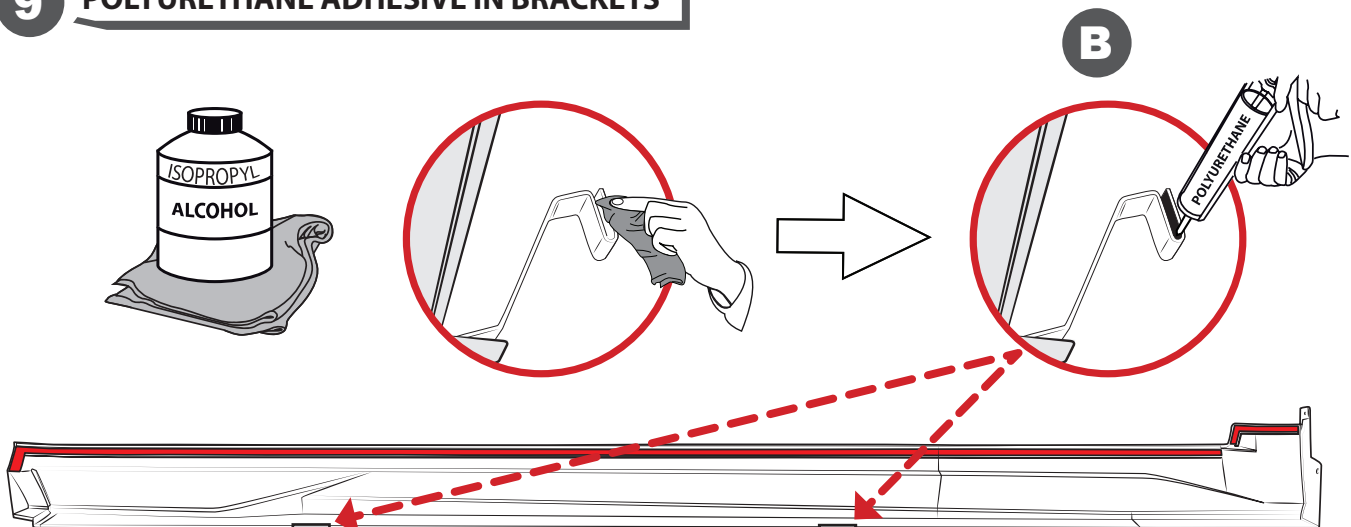
7 PEEL



8 APPLY POLYURETHANE ADHESIVE

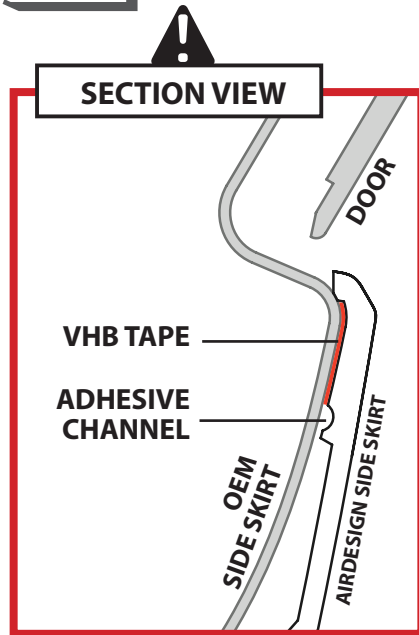


9 POLYURETHANE ADHESIVE IN BRACKETS

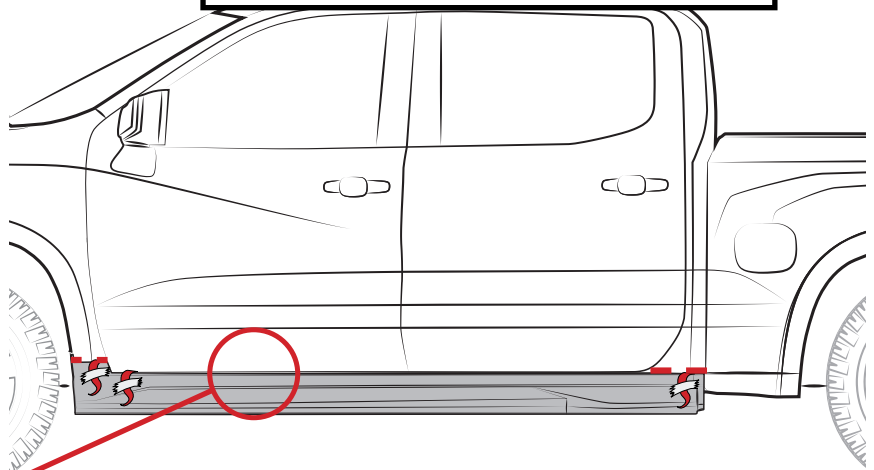


INSTALLATION MANUAL

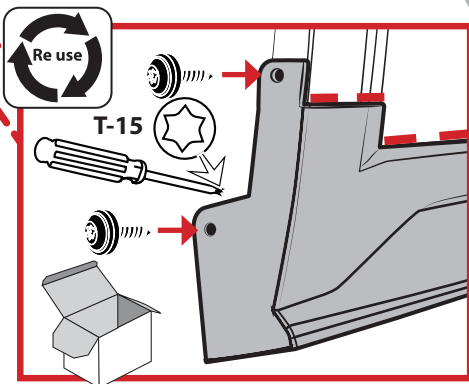
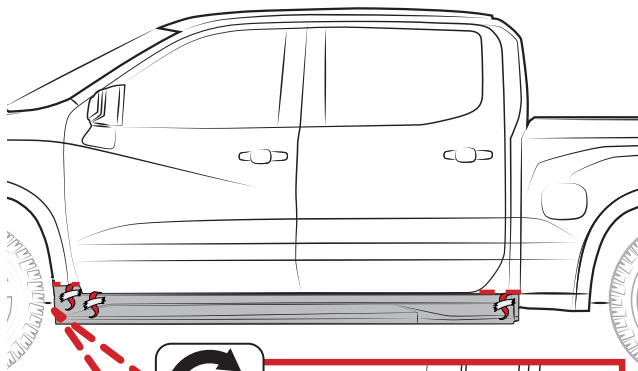
10 PLACE



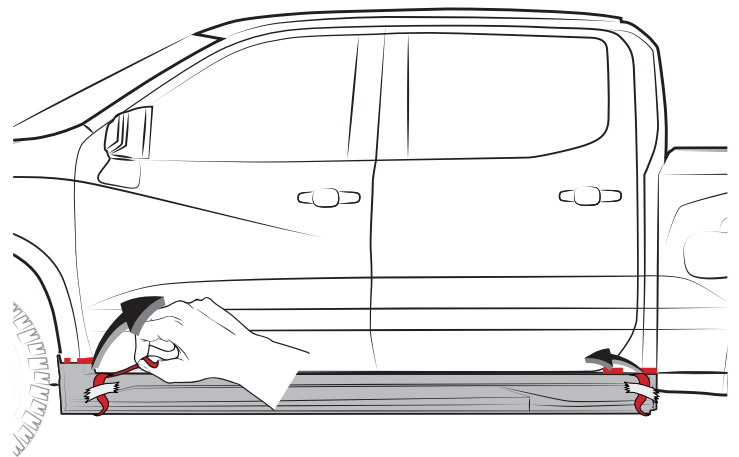
WARM SURFACES WITH HEAT GUN IF SURFACE TEMPERATURE IS TOO COLD.



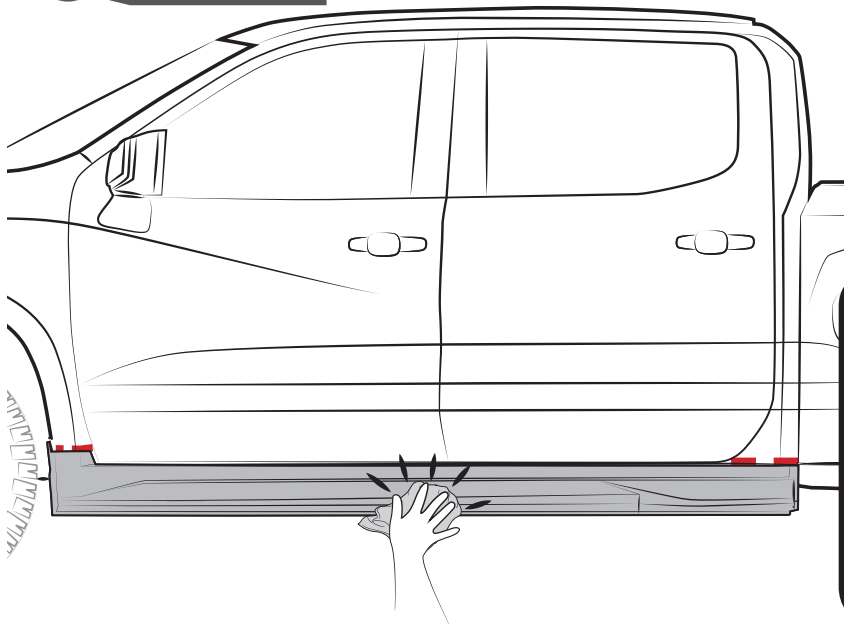
11 SCREW



12 REMOVE LINER



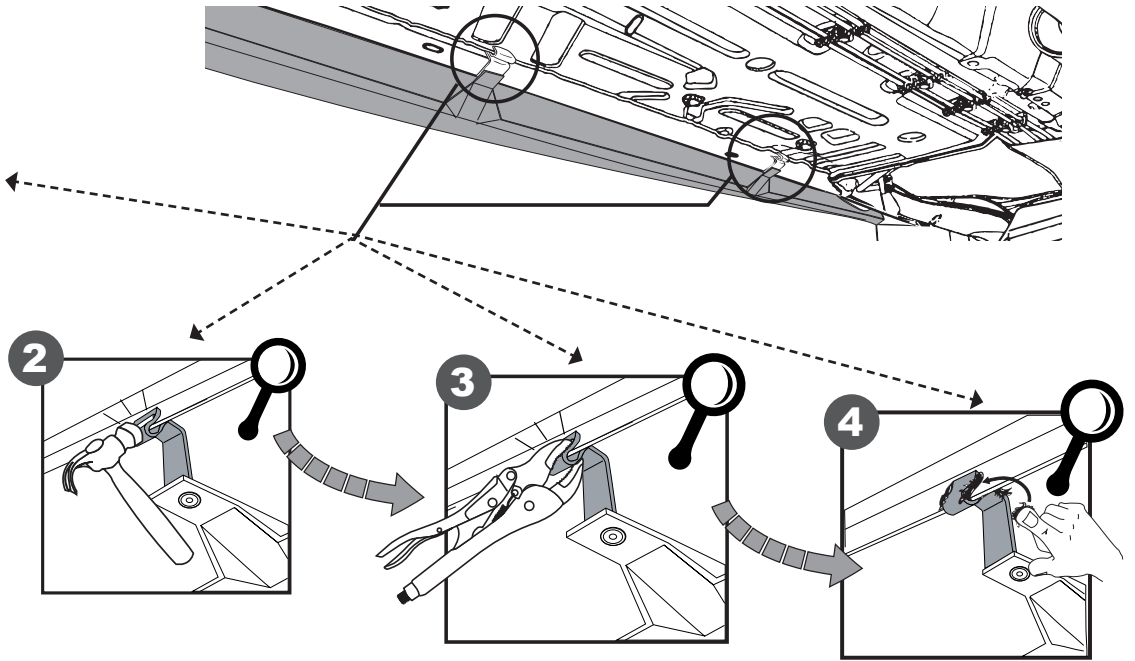
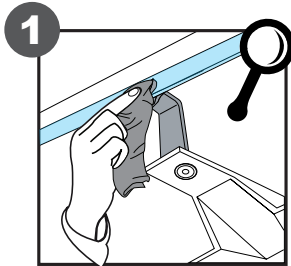
13 PRESS FIRMLY



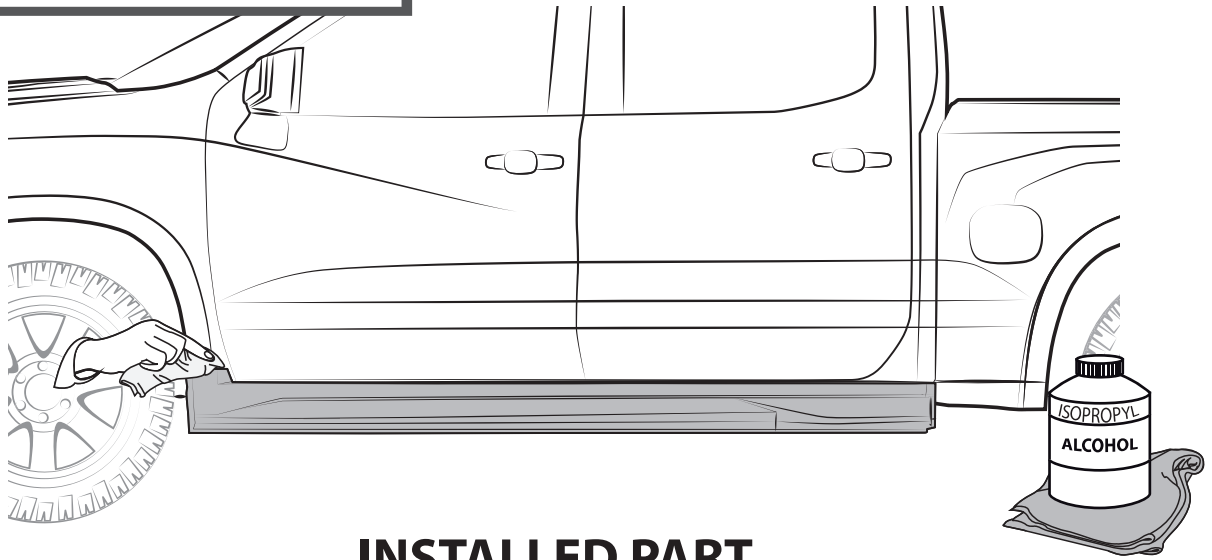
DURING APPLICATION, THE VEHICLE, PARTS AND TAPE MUST BE AT OR ABOVE 16 °C OR 60 °F. A FULL SURFACE CONTACT BETWEEN TAPE AND SUBSTRATE IS IMPORTANT FOR GOOD ADHESION PERFORMANCE. CONTACT IS ACHIEVED BY APPLYING PRESSURE. IN PRACTICE A PRESSURE BETWEEN 40 AND 50 N/CM² IS USUALLY NEEDED.

INSTALLATION MANUAL

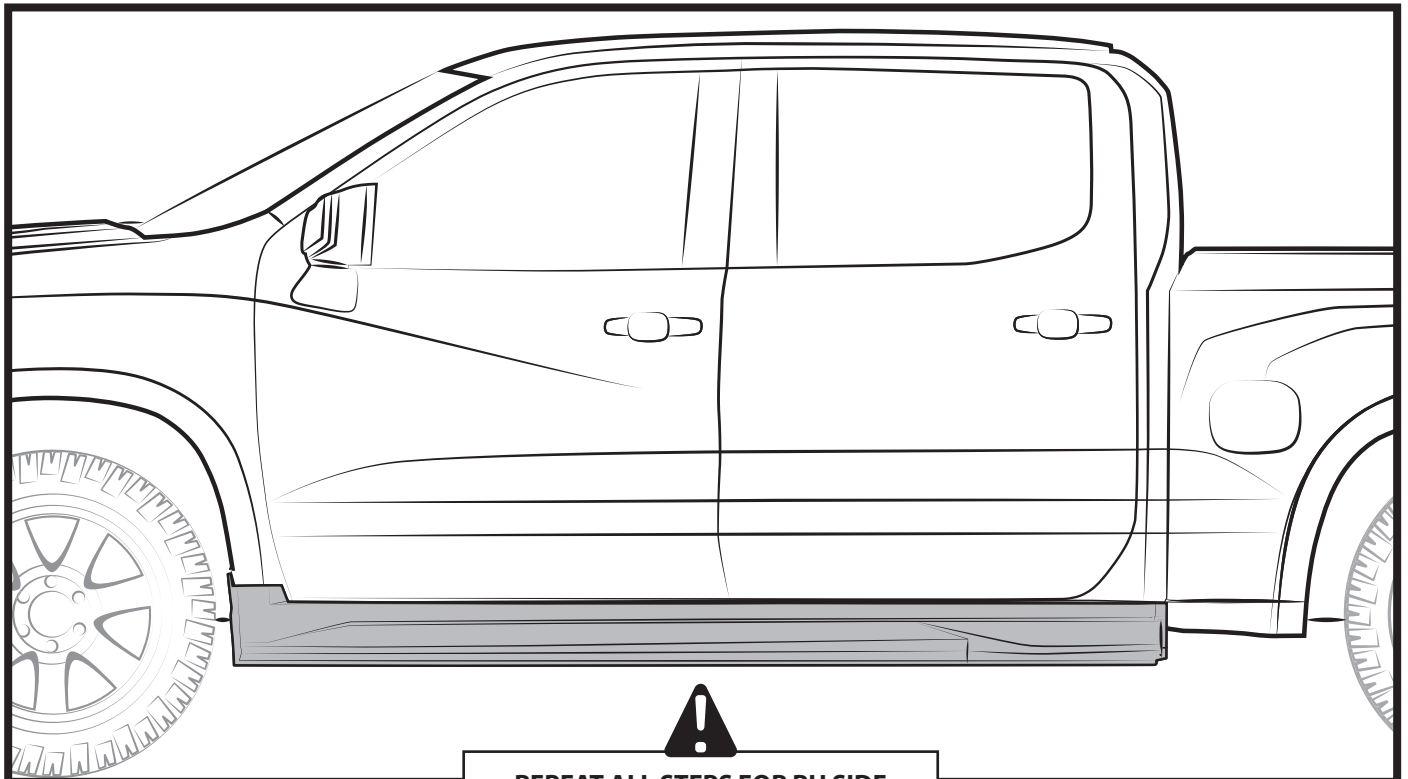
14 SECURE THE BRACKETS



15 CLEAN OFF GREASE PENCIL MARK



INSTALLED PART



REPEAT ALL STEPS FOR RH SIDE