

## INSTALLATION MANUAL

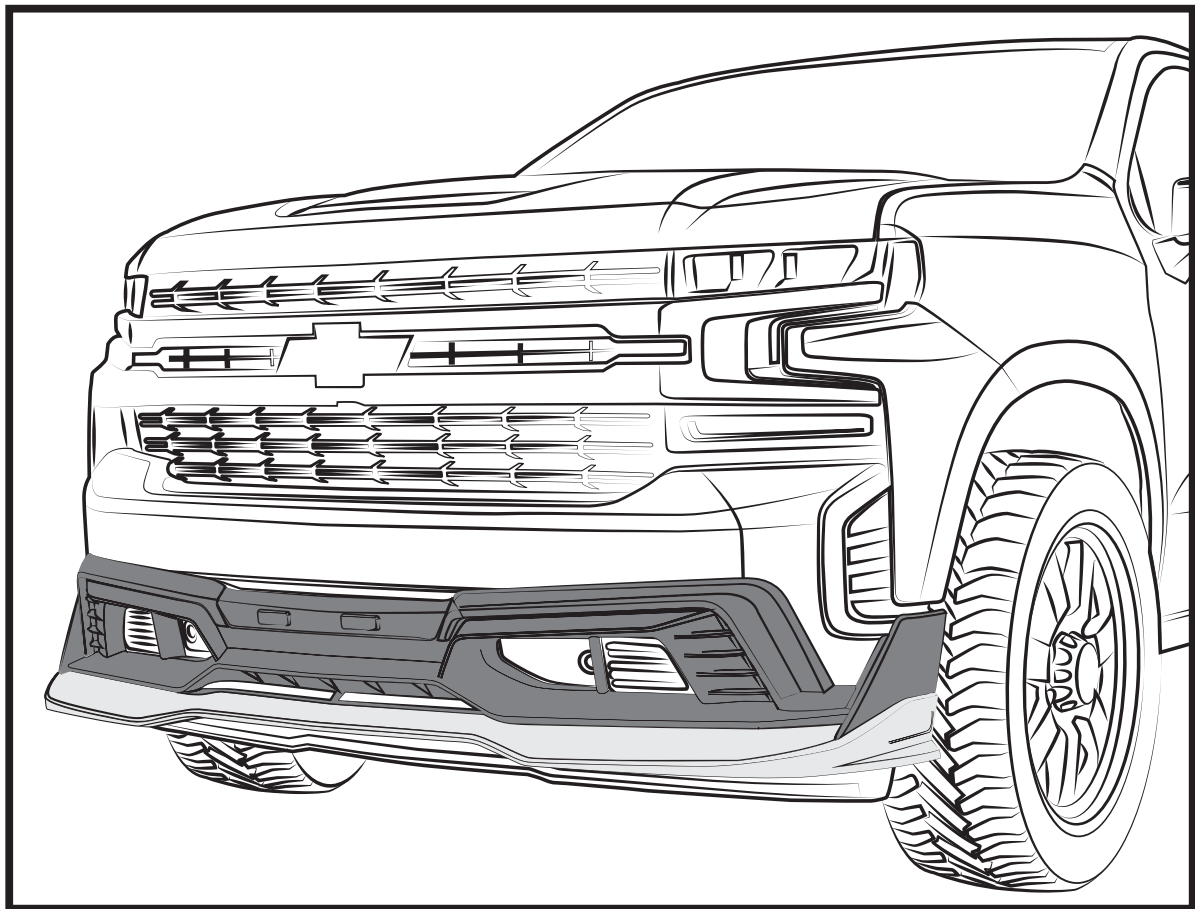
### FRONT LIP SPOILER AD PART #: GM39A23



**READ CAREFULLY  
BEFORE INSTALLATION**



**WASH & CLEAN  
PROPERLY BEFORE  
INSTALLING**



**WE RECOMMEND  
2 PERSON  
INSTALLATION**

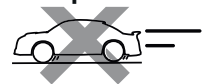
#### AFTER INSTALLING

**DO NOT  
WASH CAR**

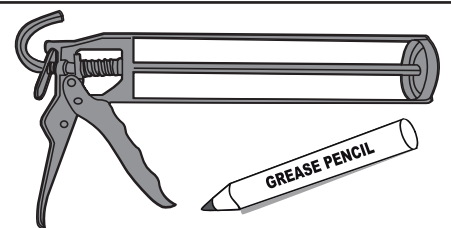
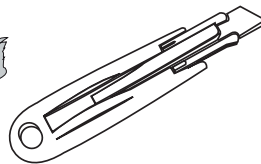


**24 hrs**

**DRIVE SLOWLY  
25 mph max**






#### TOOLS



### CHECK LIST

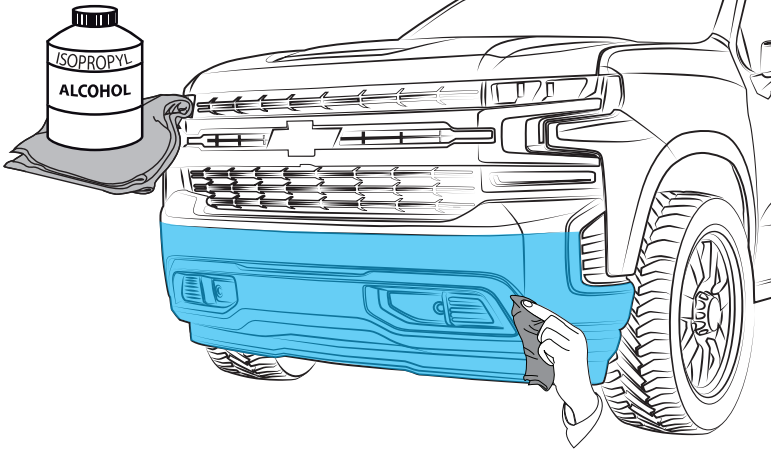
**\*Already installed in the part**

ITEM	DESCRIPTION	DRAWING	AMOUNT
A	*VHB TAPE		INCLUDED IN THE PARTS
B	ADHESION PROMOTER		1 PC
C	POLYURETHANE ADHESIVE		1 PC

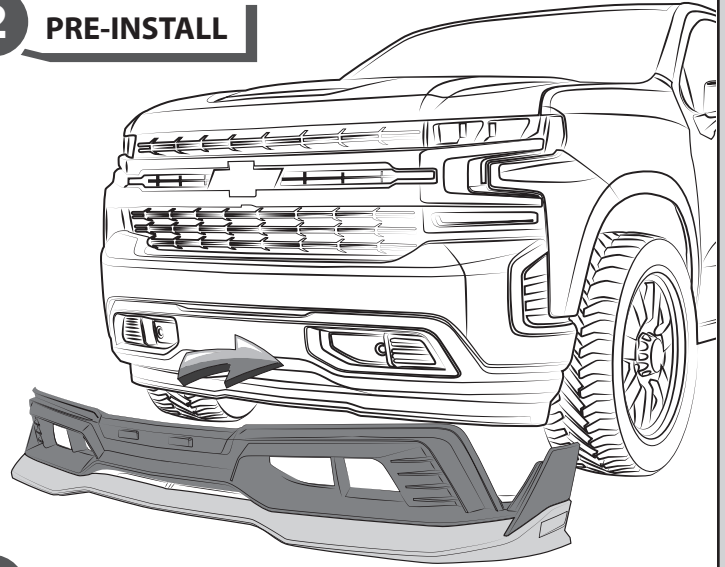
## INSTALLATION MANUAL

The ideal temperature range of the part and the vehicle when installing must be 16°C (60°F) to 40°C (104°F), this guarantees a correct assembly.

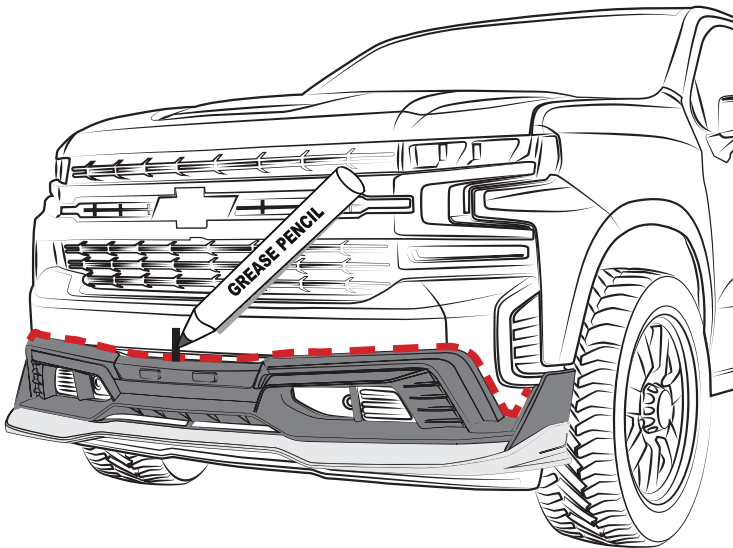
### 1 CLEAN



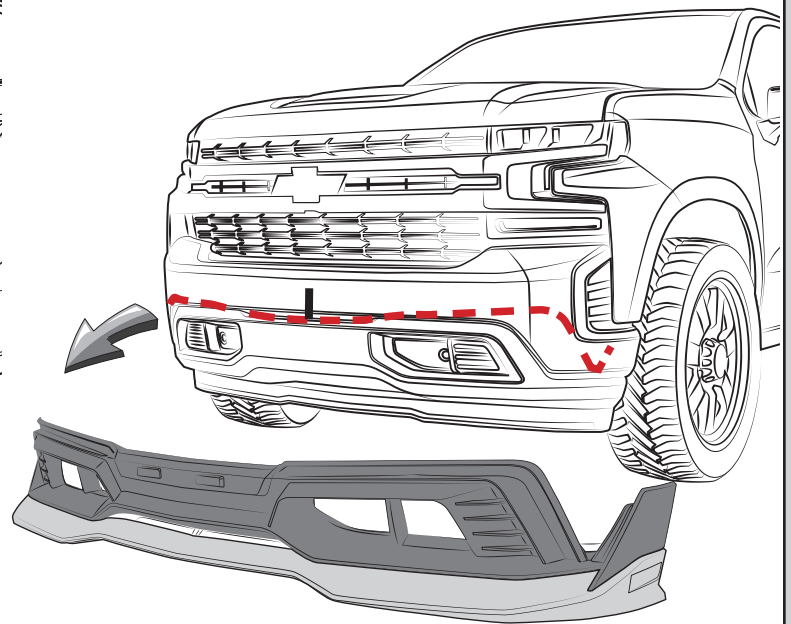
### 2 PRE-INSTALL



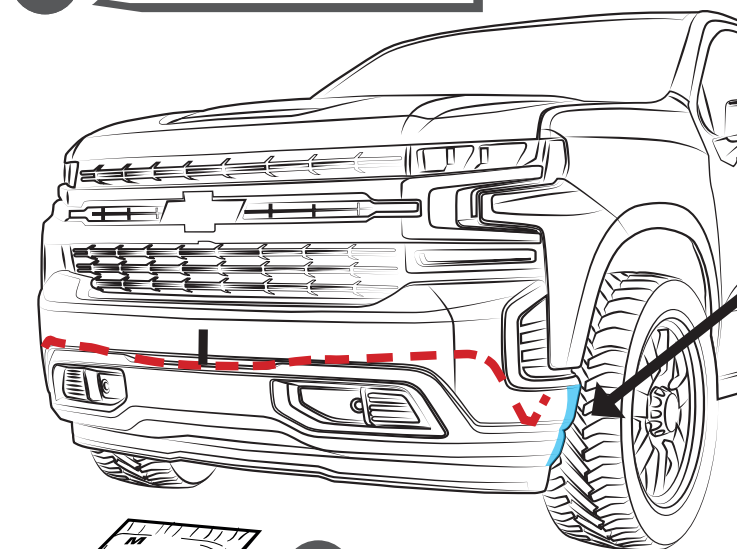
### 3 MARK



### 4 REMOVE



### 5 ADHESION PROMOTER

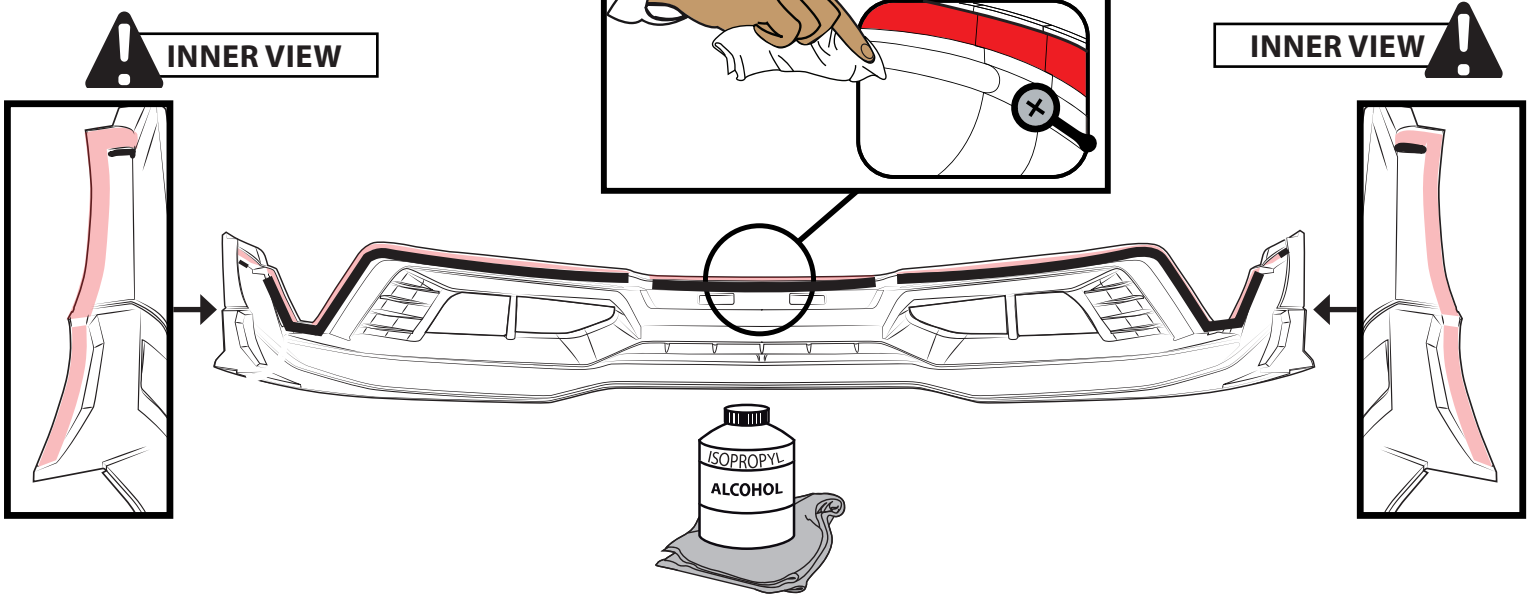


**B**

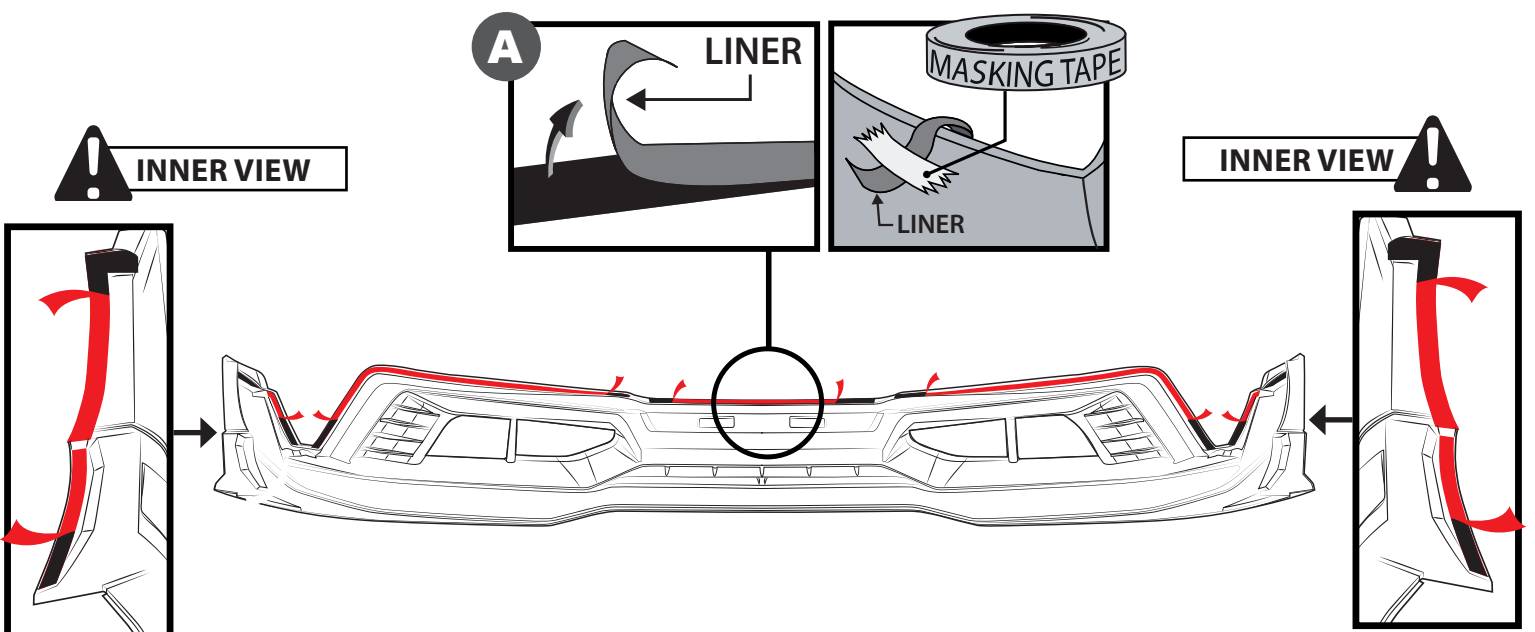
REPEAT ALL STEPS FOR RH SIDE

**INSTALLATION MANUAL**

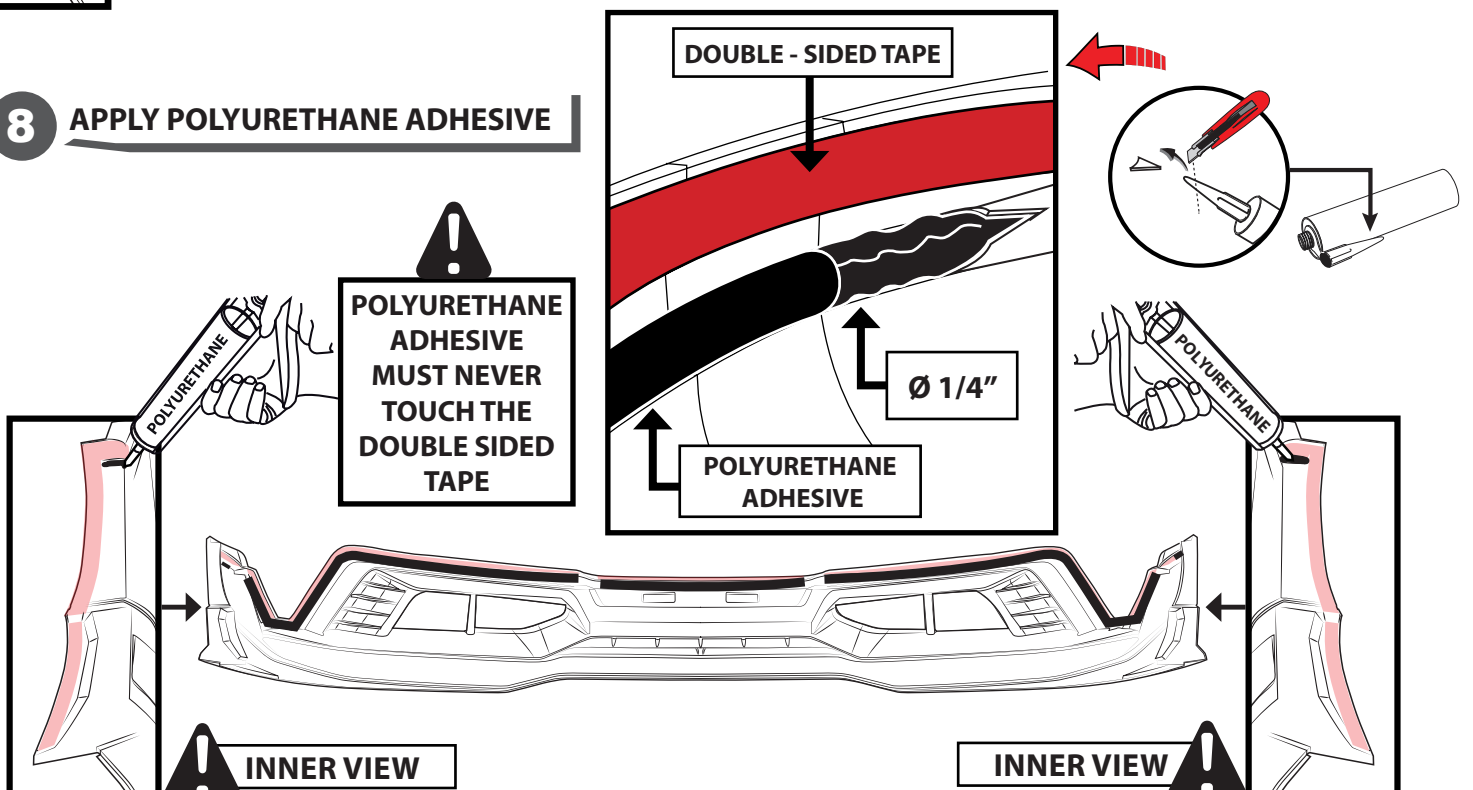
**6 CLEAN INNER CHANNEL**



**7 PEEL**



**8 APPLY POLYURETHANE ADHESIVE**

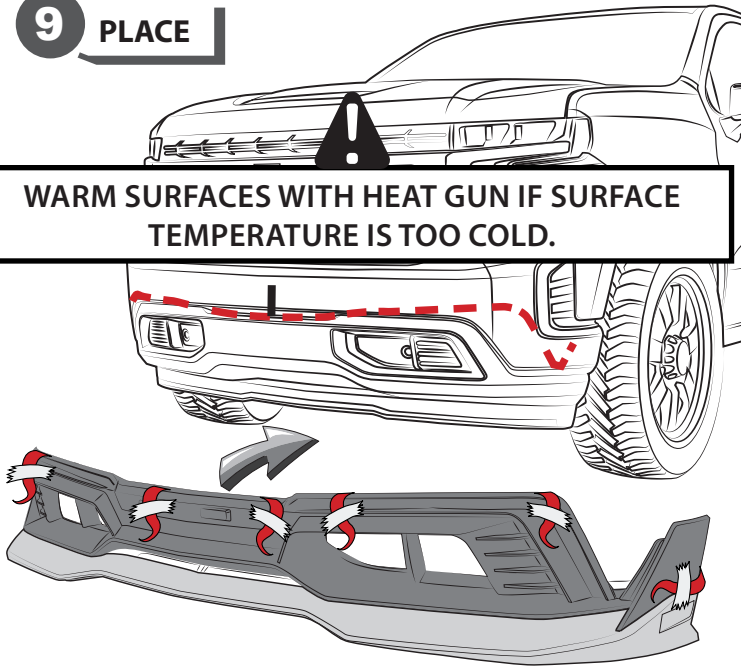




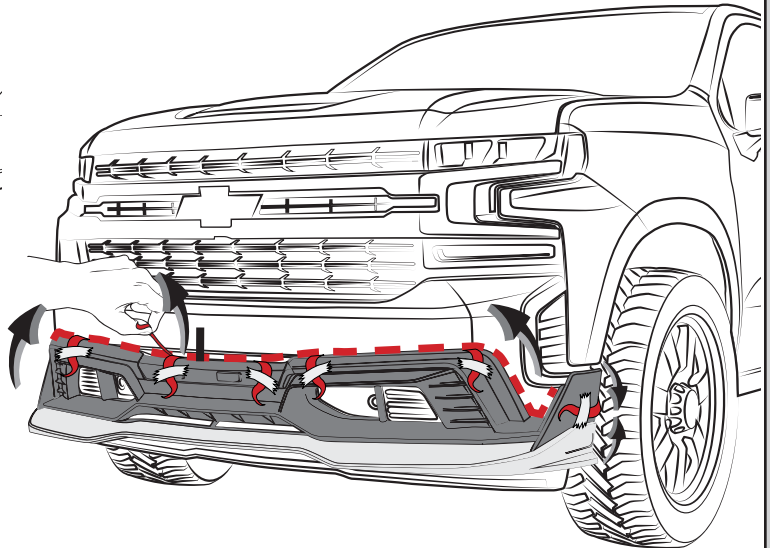
## INSTALLATION MANUAL

### 9 PLACE

WARM SURFACES WITH HEAT GUN IF SURFACE TEMPERATURE IS TOO COLD.

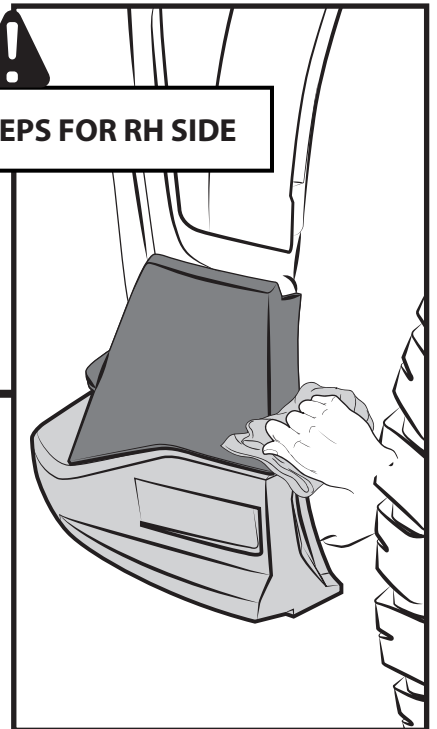
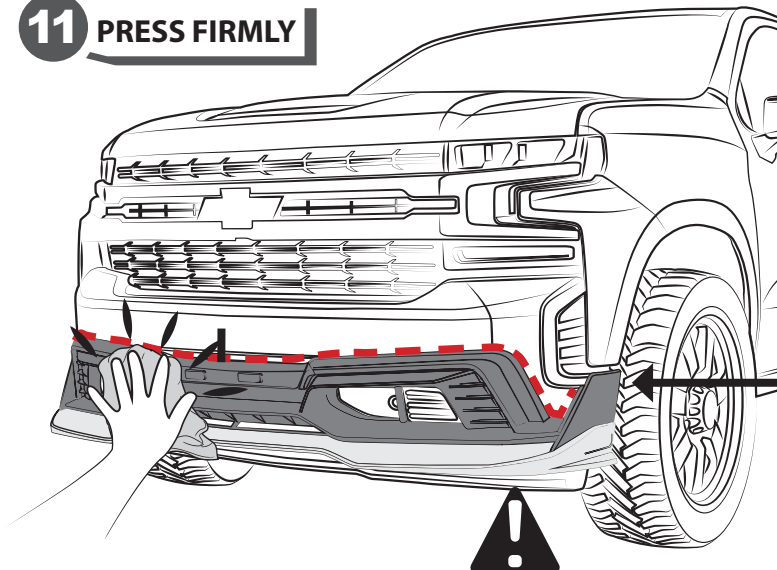


### 10 REMOVE LINER



### 11 PRESS FIRMLY

REPEAT ALL STEPS FOR RH SIDE



DURING APPLICATION, THE VEHICLE, ADD ON PARTS AND TAPE MUST BE AT OR ABOVE 16 °C OR 60 °F. A FULL SURFACE CONTACT BETWEEN TAPE AND SUBSTRATE IS IMPORTANT FOR GOOD ADHESION PERFORMANCE. CONTACT IS ACHIEVED BY APPLYING PRESSURE. IN PRACTICE A PRESSURE BETWEEN 40 AND 50 N/CM<sup>2</sup> IS USUALLY NEEDED.

### 12 CLEAN OFF GREASE PENCIL MARK



INSTALLED PART

