

INSTALLATION MANUAL

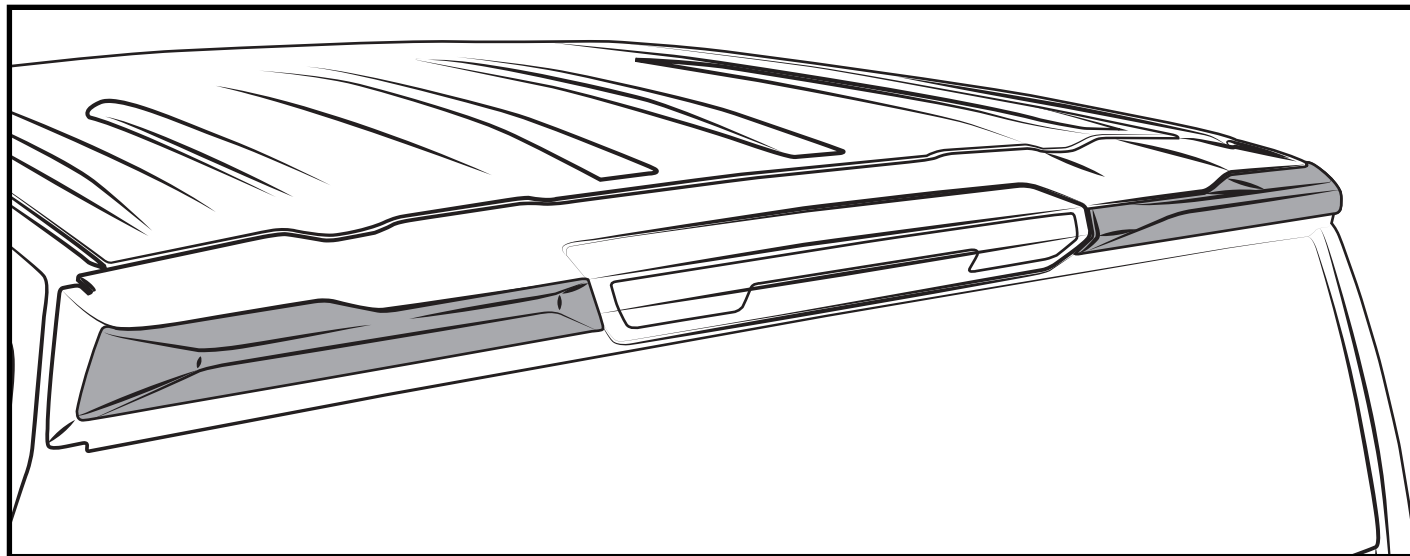


**READ CAREFULLY
BEFORE INSTALLATION**



**WASH & CLEAN
PROPERLY BEFORE
INSTALLING**

CAB WINGLETS SET
AD PART #: GM39A35



**WE RECOMMEND
2 PERSON
INSTALLATION**

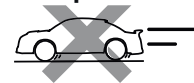
AFTER INSTALLING

**DO NOT
WASH CAR**

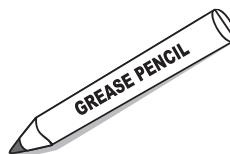
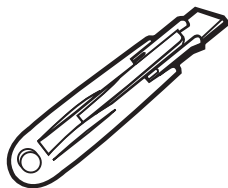


24 hrs

**DRIVE SLOWLY
25 mph max**





TOOLS



CHECK LIST

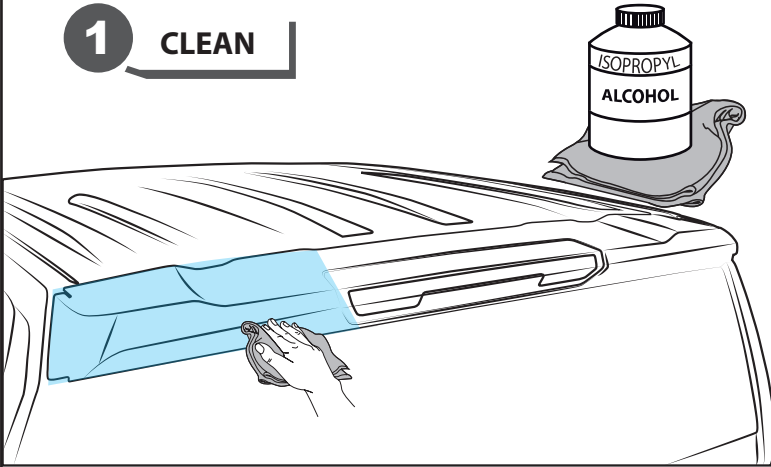
***Already installed in the part**

ITEM	DESCRIPTION	DRAWING	AMOUNT
A	*VHB TAPE		INCLUDED IN THE PARTS
B	ADHESION PROMOTER		1 PC

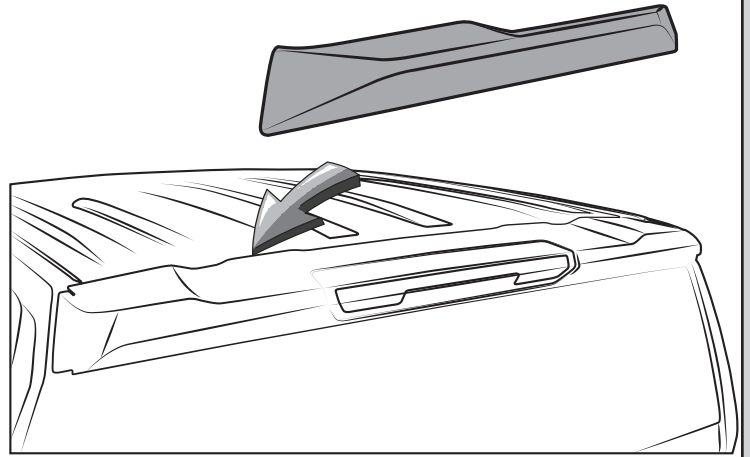
INSTALLATION MANUAL

The ideal temperature range of the part and the vehicle when installing must be 16°C (60°F) to 40°C (104°F), this guarantees a correct assembly.

1 CLEAN

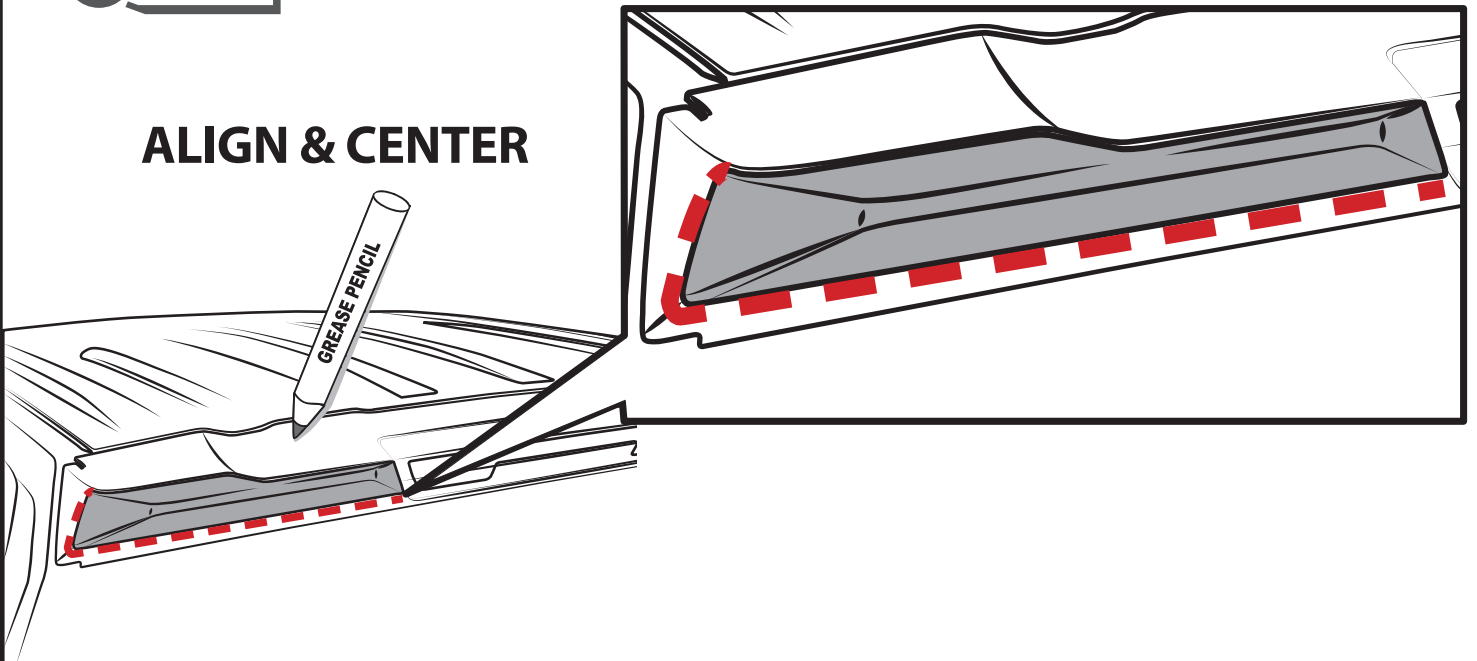


2 PRE-INSTALL

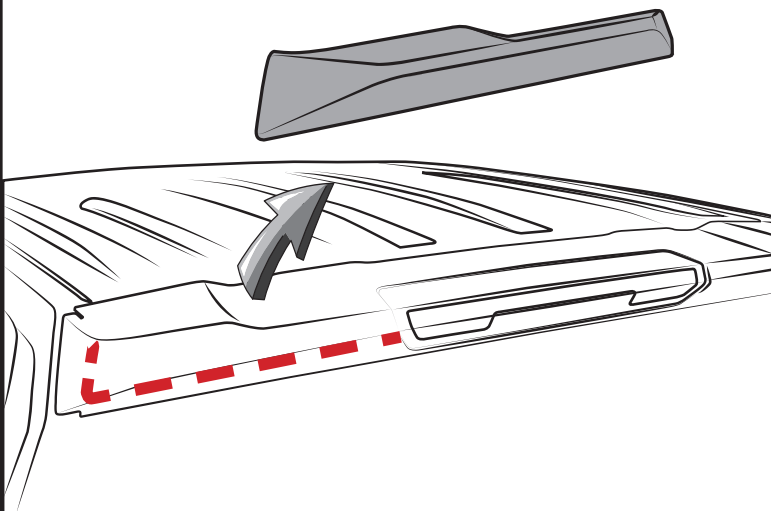


3 MARK

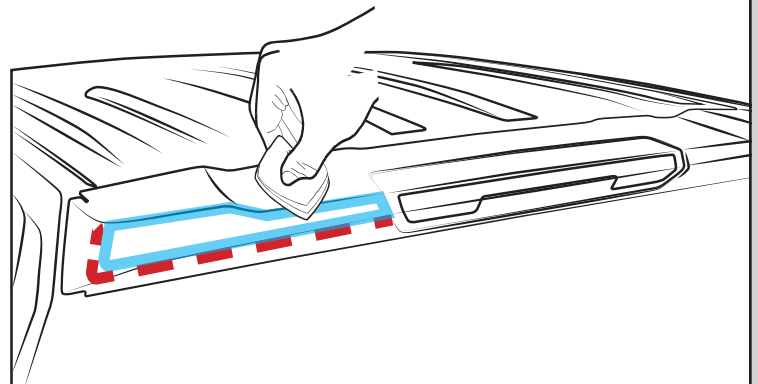
ALIGN & CENTER



4 REMOVE



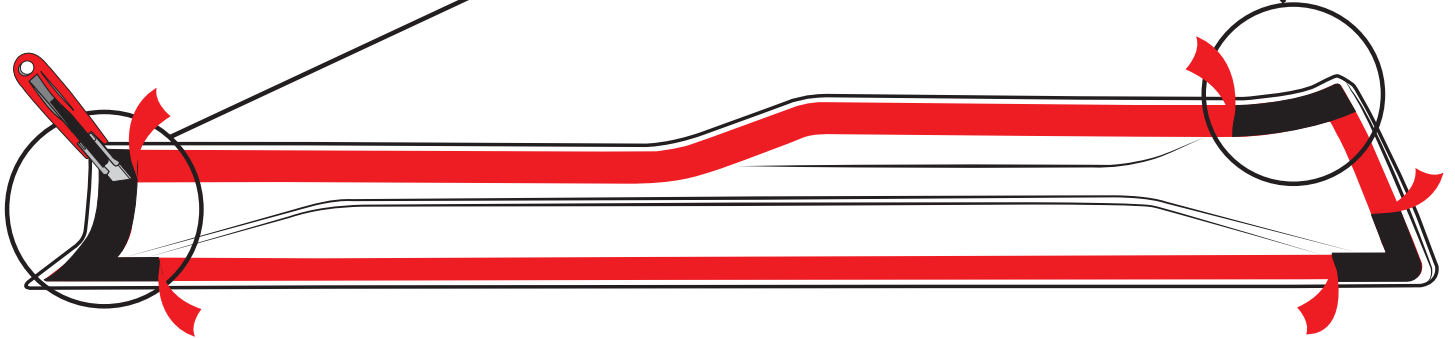
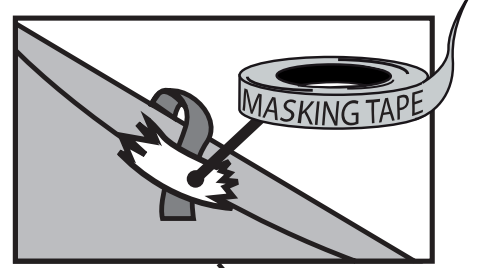
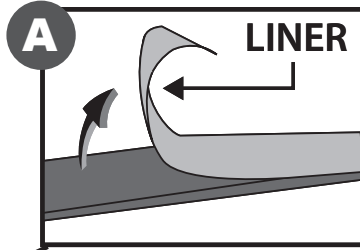
5 ADHESION PROMOTER



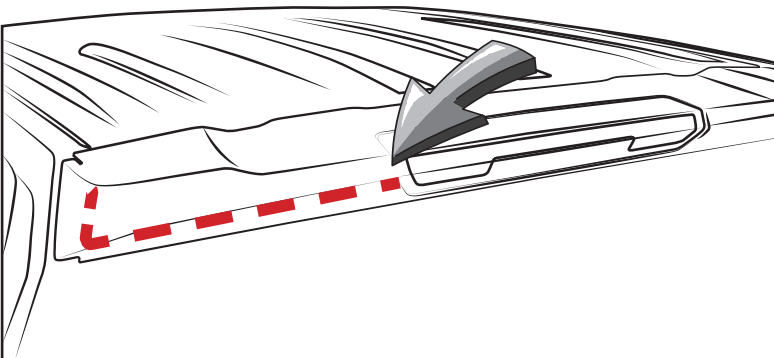
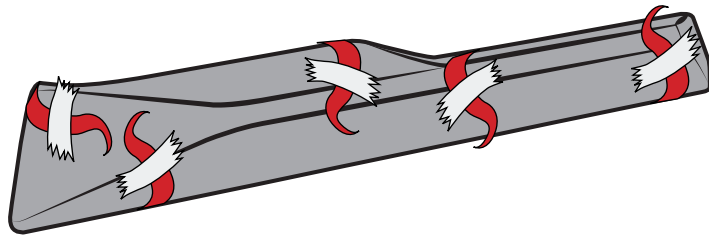
B

INSTALLATION MANUAL

6 PEEL

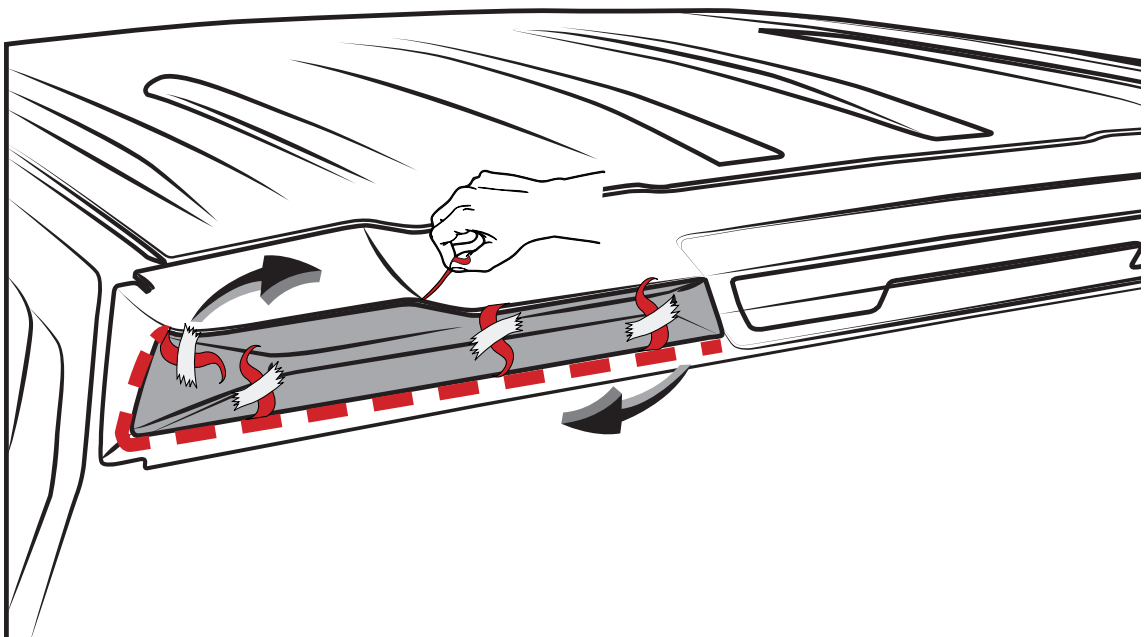


7 PLACE



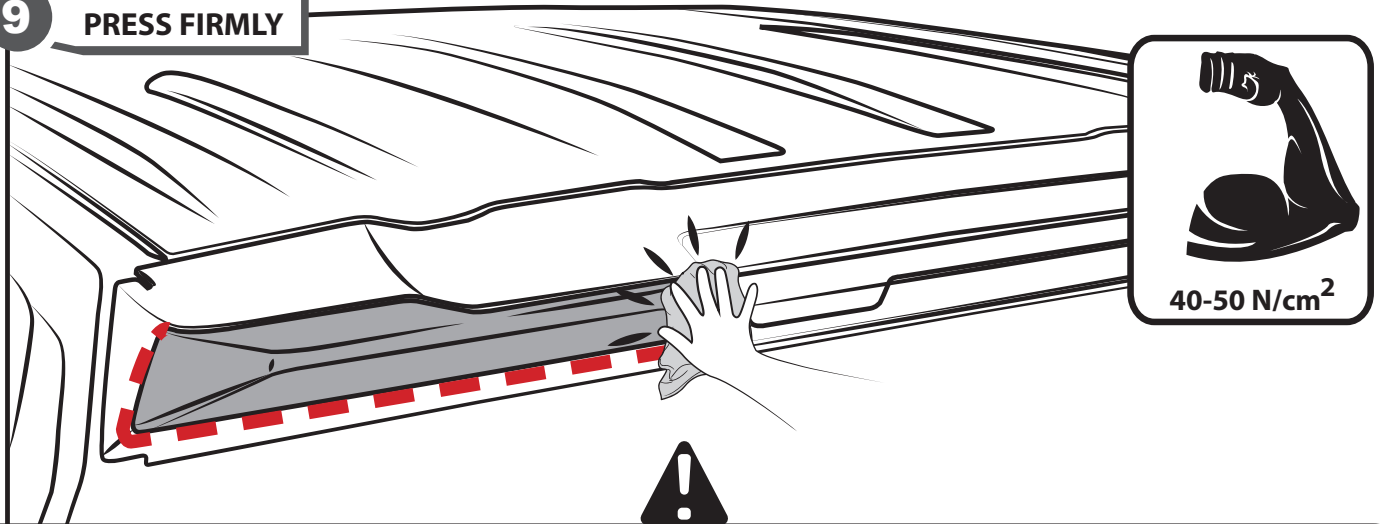
! WARM SURFACES WITH HEAT GUN IF SURFACE TEMPERATURE IS TOO COLD.

8 REMOVE LINER



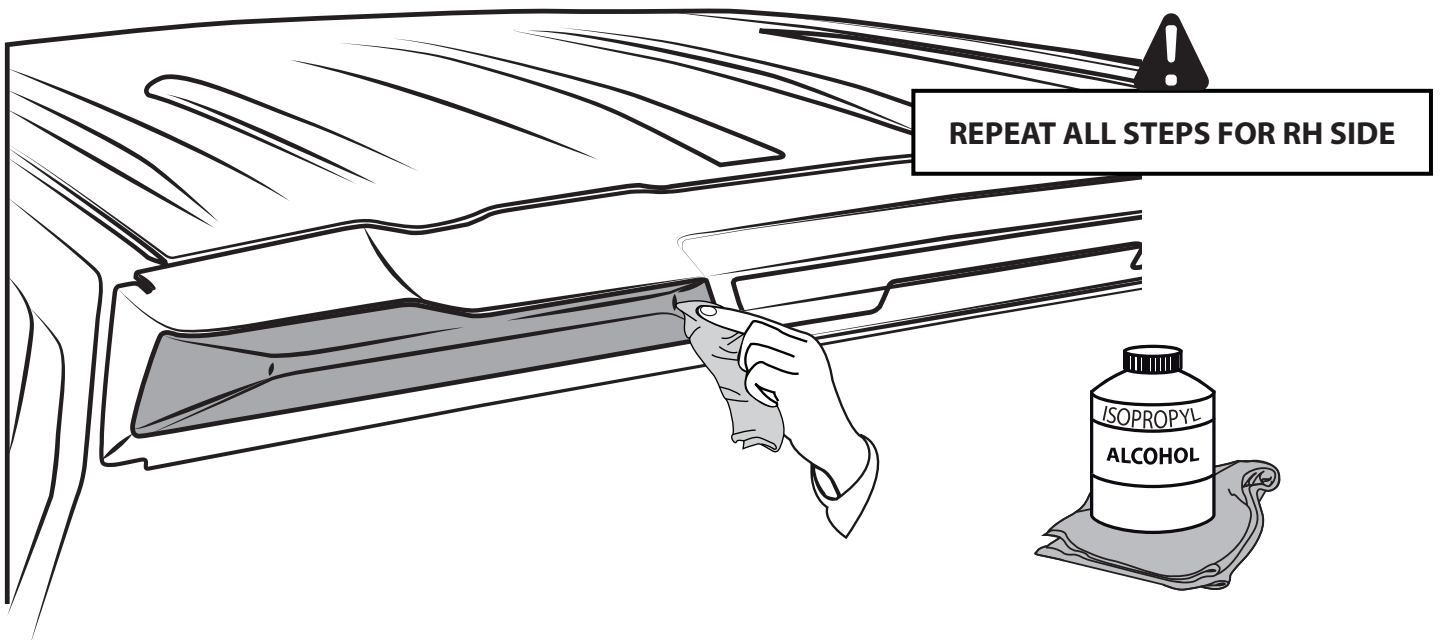
INSTALLATION MANUAL

9 PRESS FIRMLY



DURING APPLICATION, THE VEHICLE, ADD ON PARTS AND TAPE MUST BE AT OR ABOVE 16 °C OR 60 °F. A FULL SURFACE CONTACT BETWEEN TAPE AND SUBSTRATE IS IMPORTANT FOR GOOD ADHESION PERFORMANCE. CONTACT IS ACHIEVED BY APPLYING PRESSURE. IN PRACTICE A PRESSURE BETWEEN 40 AND 50 N/CM² IS USUALLY NEEDED.

10 CLEAN OFF GREASE PENCIL MARK



INSTALLED PART

