

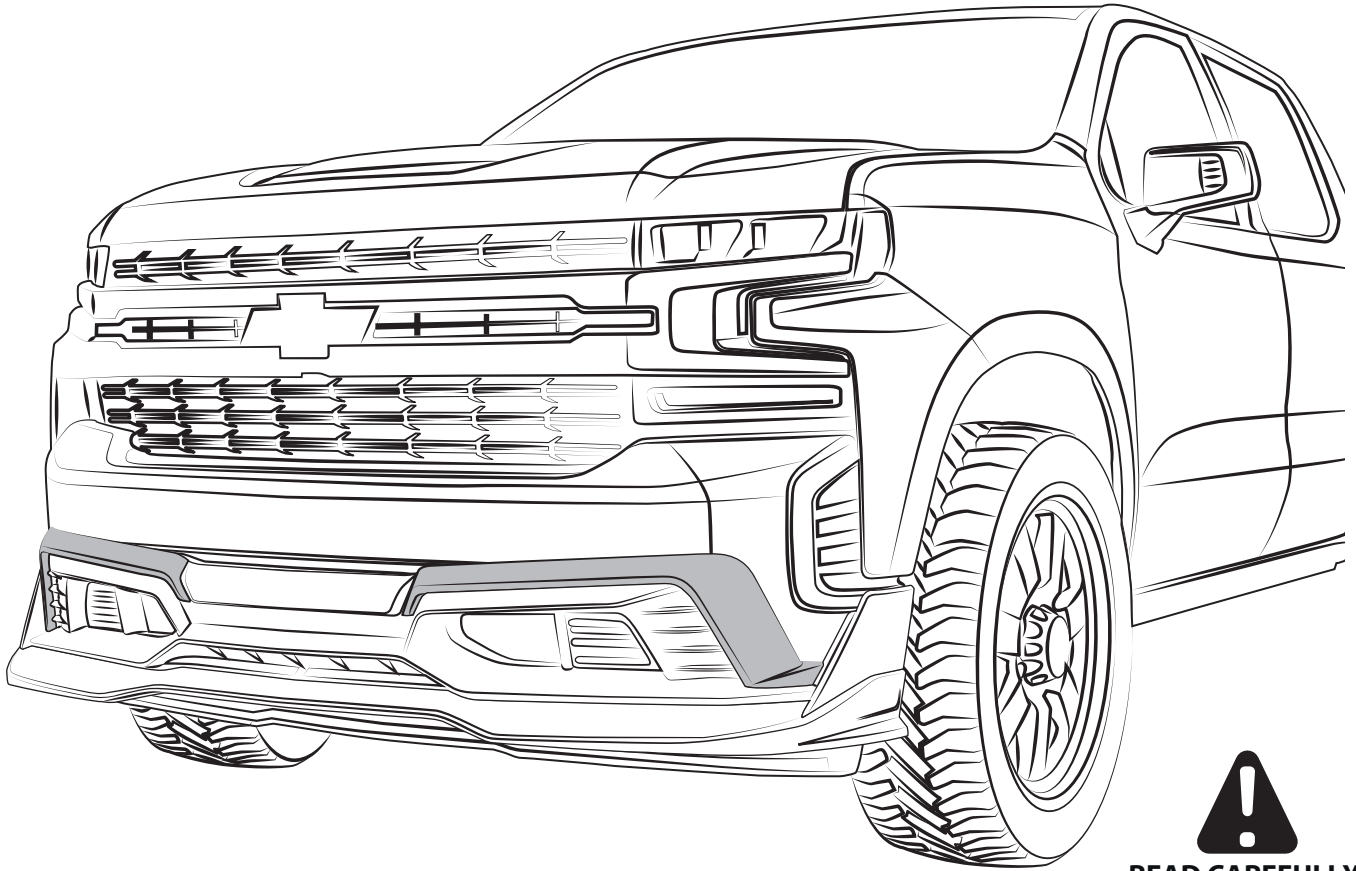
INSTALLATION MANUAL

FIRST INSTALL FRONT LIP SPOILER

AIR CURTAINS

LH AD PART #: GM39A30

RH AD PART#: GM39A31



**READ CAREFULLY
BEFORE INSTALLATION**



**WASH & CLEAN
PROPERLY BEFORE
INSTALLING**



**WE RECOMMEND
2 PERSON
INSTALLATION**

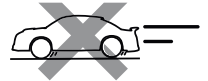
AFTER INSTALLING

**DO NOT
WASH CAR**

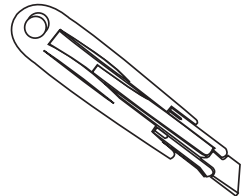


24 hrs

**DRIVE SLOWLY
25 mph max**





TOOLS



CHECK LIST

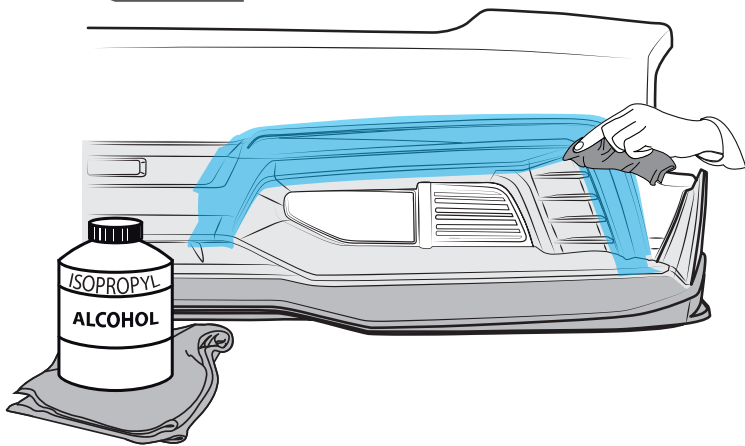
***Already installed in the part**

ITEM	DESCRIPTION	DRAWING	AMOUNT
A	*VHB TAPE		INCLUDED IN THE PARTS
B	POLYURETHANE ADHESIVE		1 PC

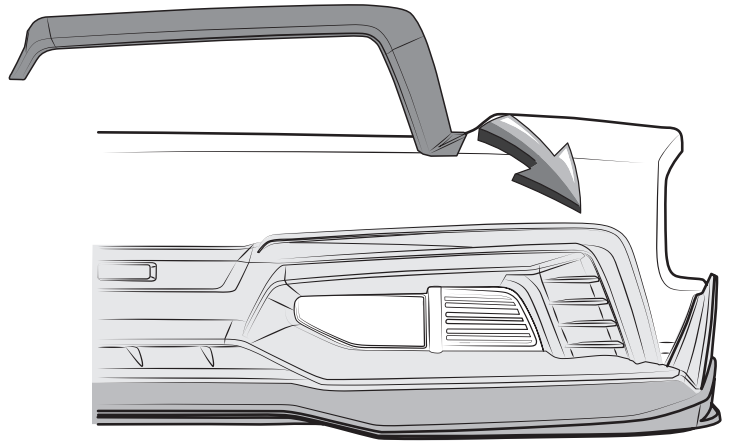
INSTALLATION MANUAL

The ideal temperature range of the part and the vehicle when installing must be 16°C (60°F) to 40°C (104°F), this guarantees a correct assembly.

1 CLEAN

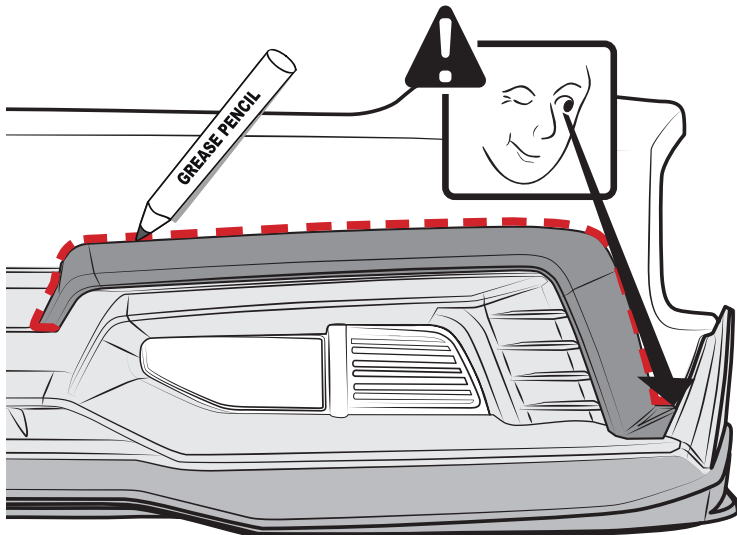


2 PRE-INSTALL

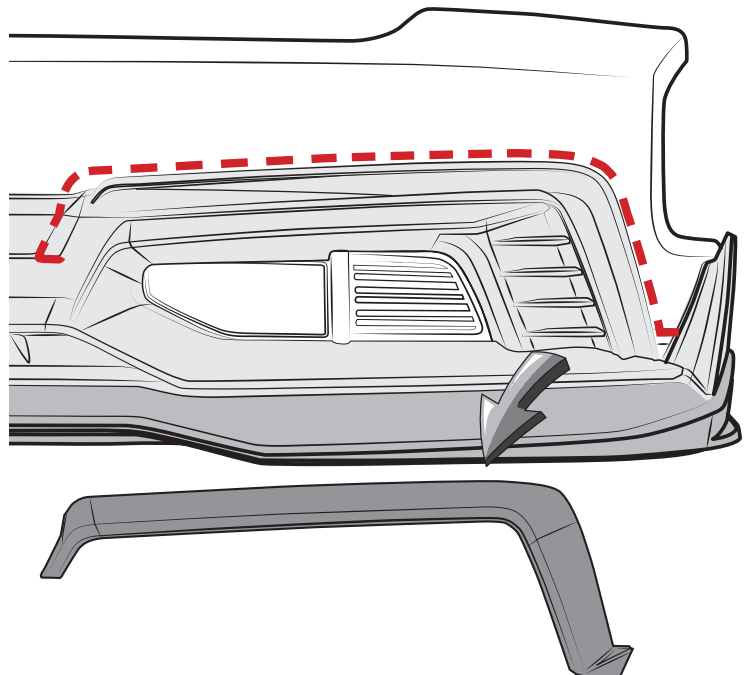


3 MARK

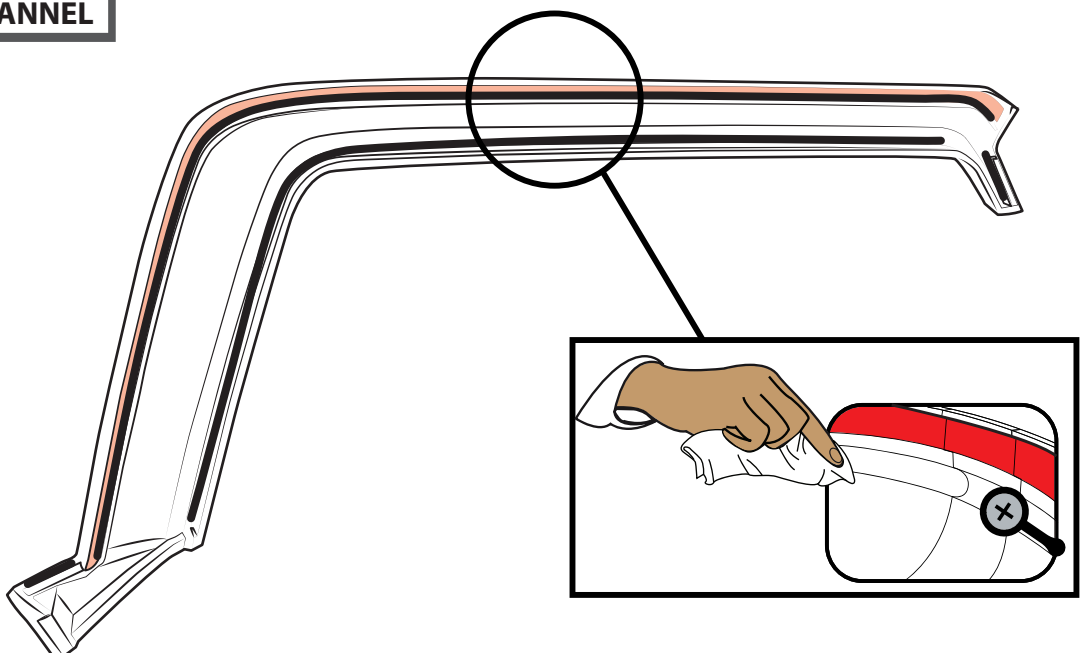
**ALING WITH
FRONT SPOILER**



4 REMOVE

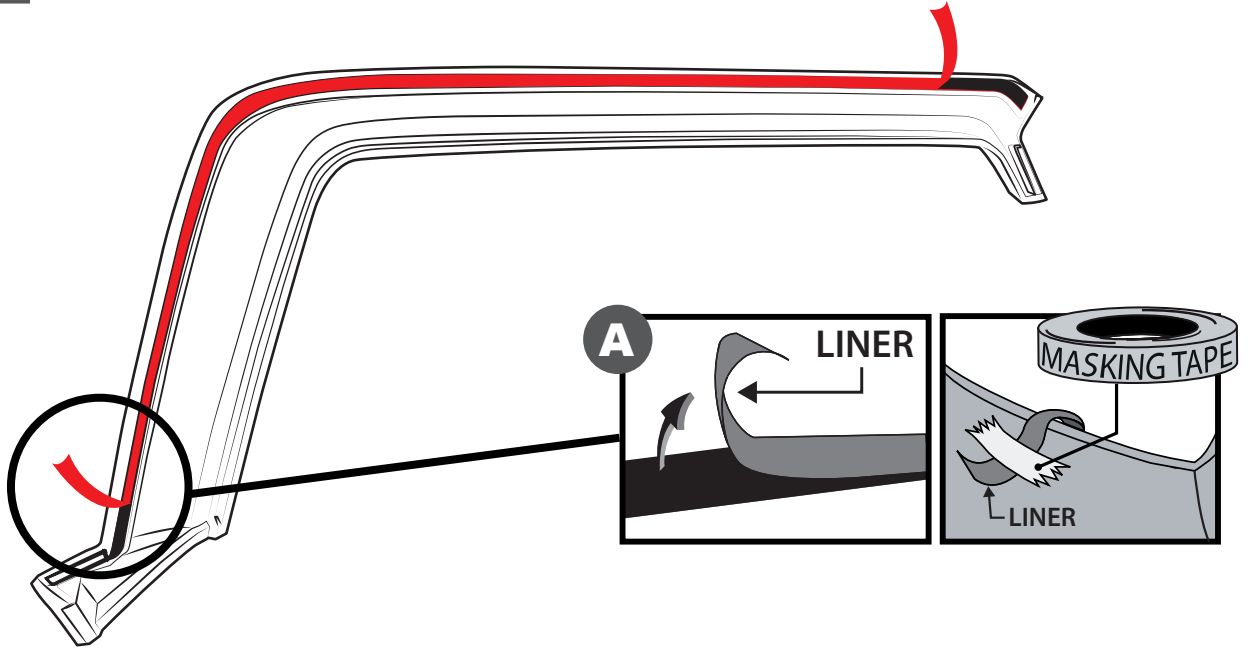


5 CLEAN INNER CHANNEL

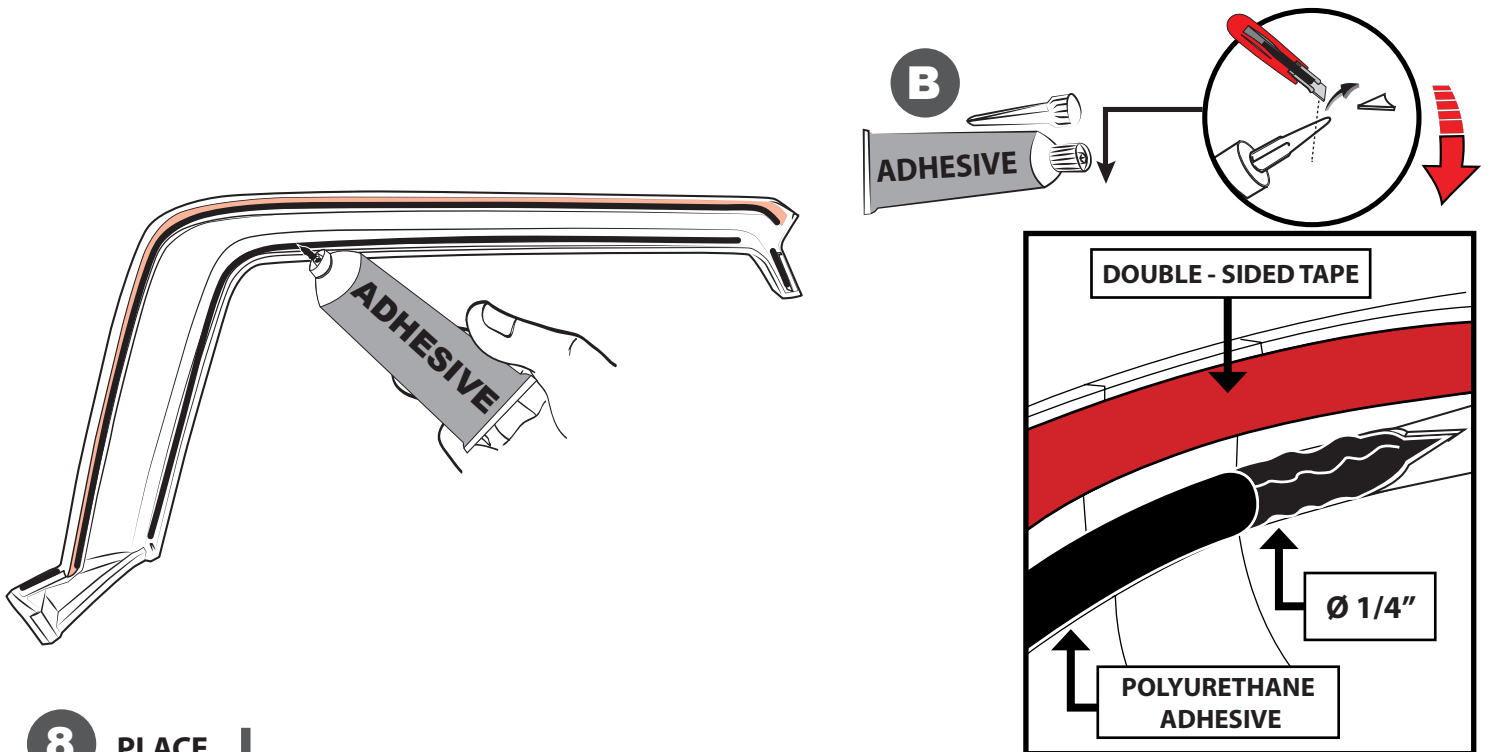


INSTALLATION MANUAL

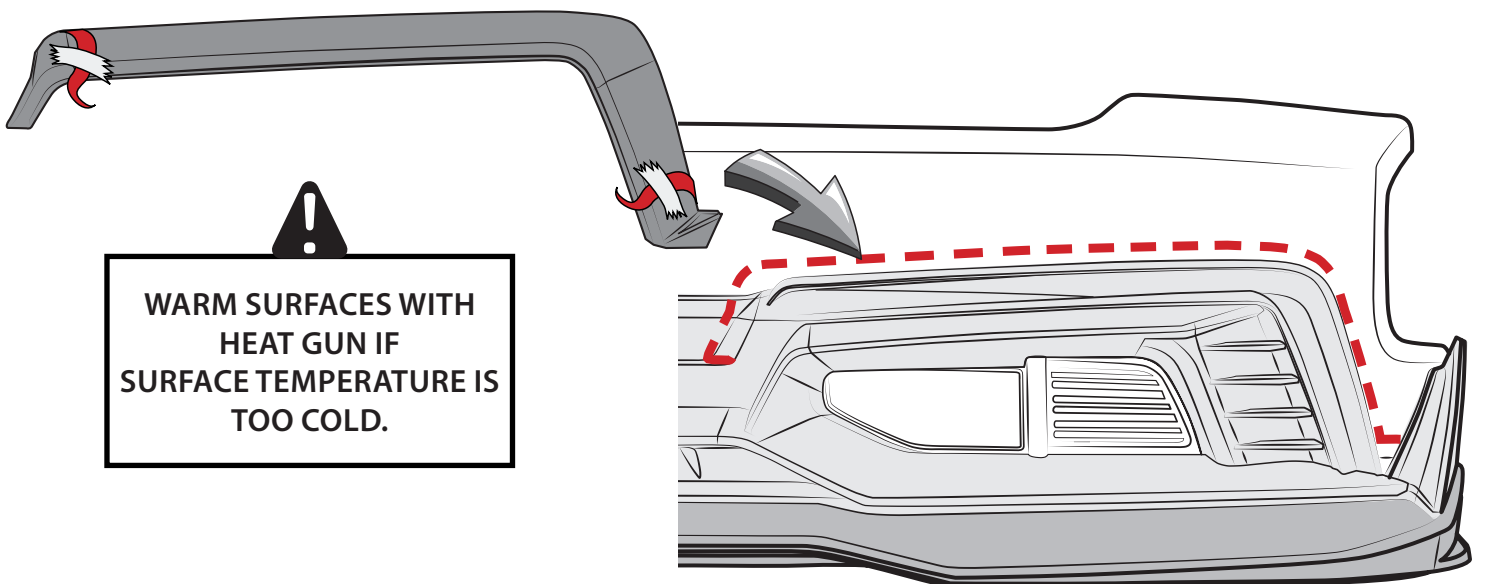
6 PEEL



7 APPLY POLYURETHANE ADHESIVE



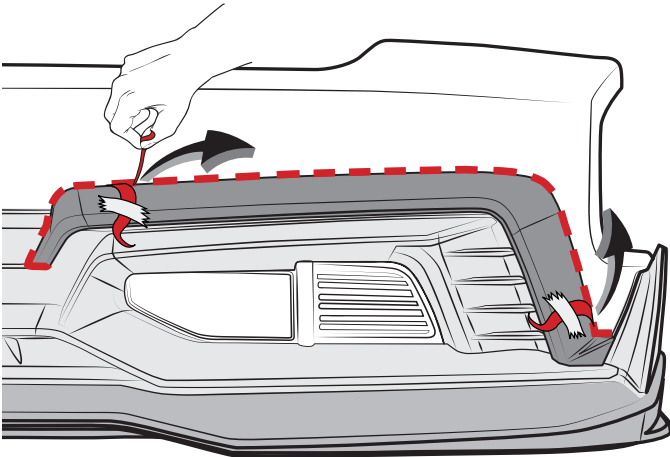
8 PLACE



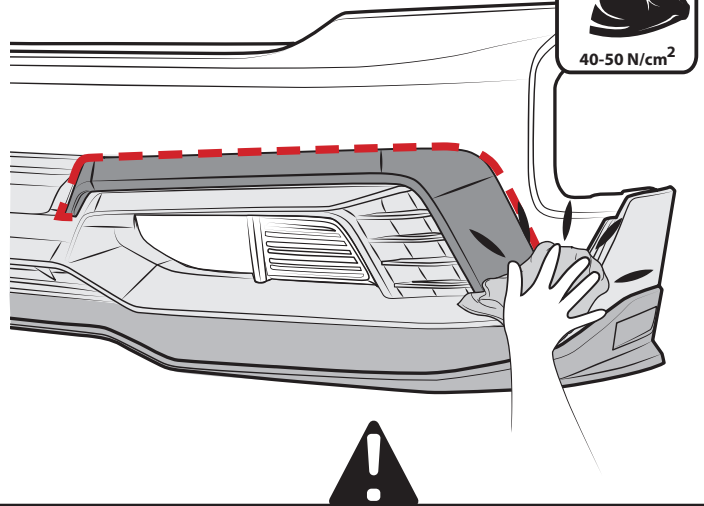
WARM SURFACES WITH
HEAT GUN IF
SURFACE TEMPERATURE IS
TOO COLD.

INSTALLATION MANUAL

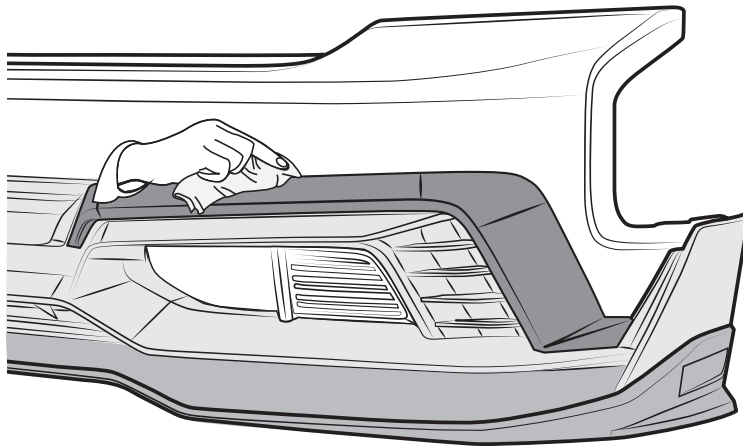
9 REMOVE LINER



10 PRESS FIRMLY

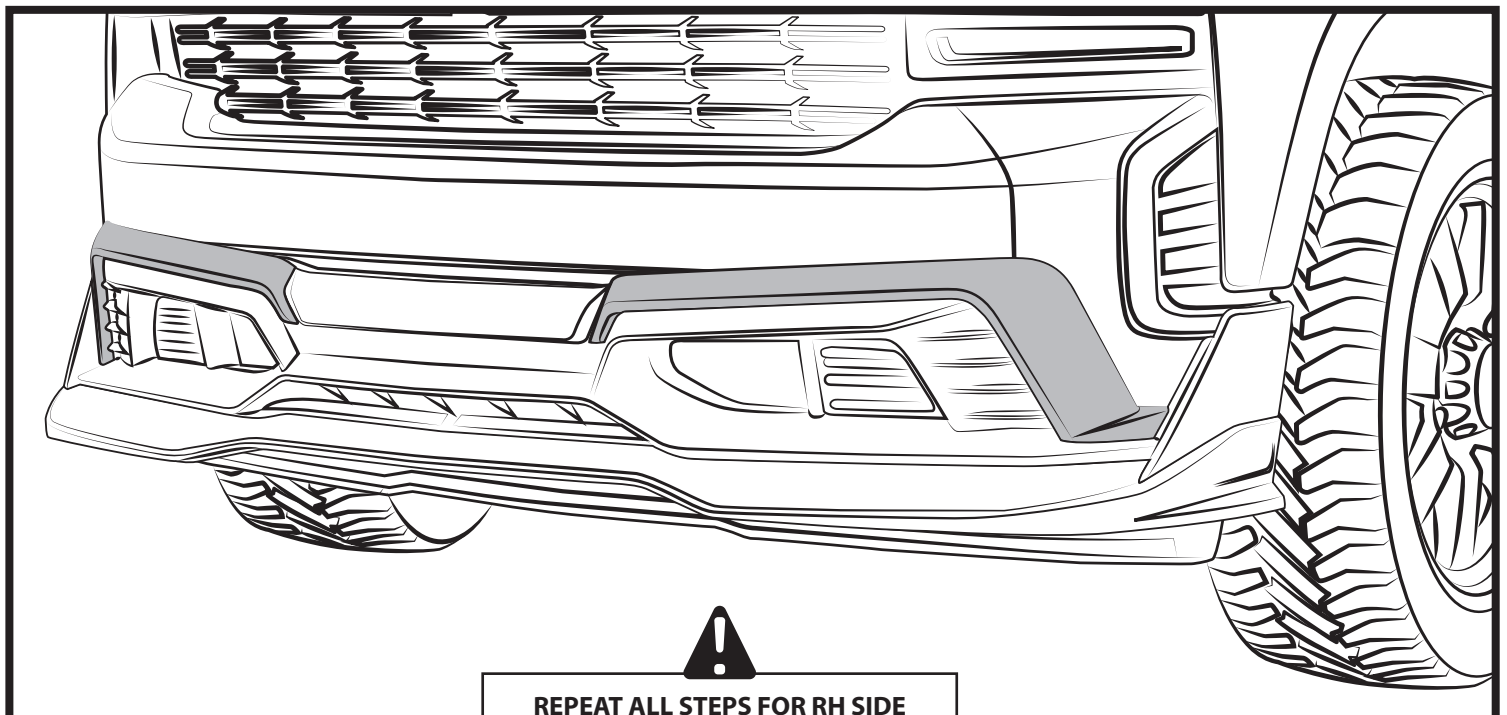


11 CLEAN OFF GREASE PENCIL MARK



DURING APPLICATION, THE VEHICLE, ADD ON PARTS AND TAPE MUST BE AT OR ABOVE 16 °C OR 60 °F. A FULL SURFACE CONTACT BETWEEN TAPE AND SUBSTRATE IS IMPORTANT FOR GOOD ADHESION PERFORMANCE. CONTACT IS ACHIEVED BY APPLYING PRESSURE. IN PRACTICE A PRESSURE BETWEEN 40 AND 50 N/CM² IS USUALLY NEEDED.

INSTALLED PART



REPEAT ALL STEPS FOR RH SIDE