

INSTALLATION MANUAL

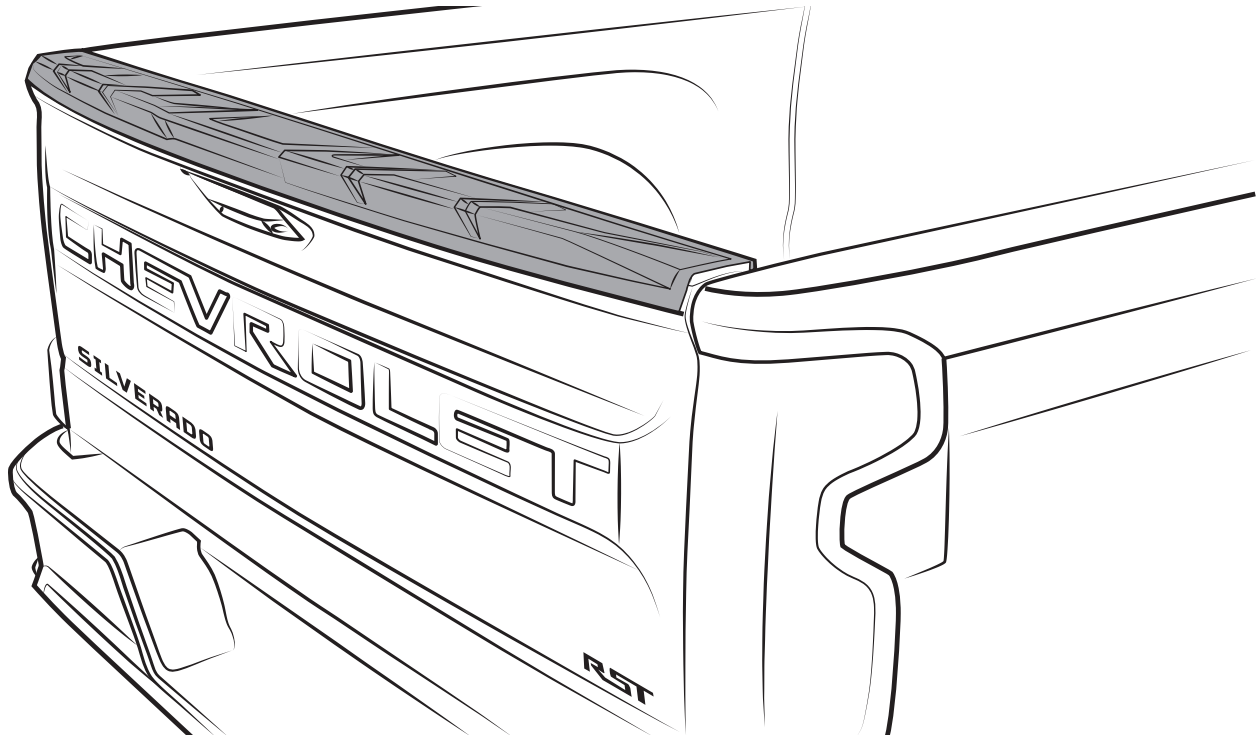


**READ CAREFULLY
BEFORE INSTALLATION**



**WASH BEFORE
INSTALLING**

**TAILGATE SPOILER
AD PART #: GM39A32**



**WE RECOMMEND
2 PERSONS FOR
INSTALLATION**

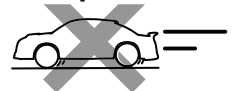
AFTER INSTALLING

**DO NOT
WASH CAR**



24 hrs

**DRIVE SLOWLY
25 mph max**





TOOLS



CHECK LIST

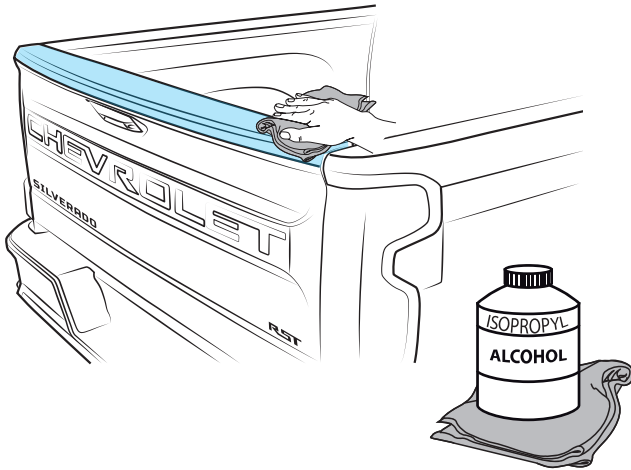
***Already installed in the part**

ITEM	DESCRIPTION	DRAWING	AMOUNT
A	*VHB TAPE		INCLUDED IN THE PARTS
B	ADHESION PROMOTER		1 PC

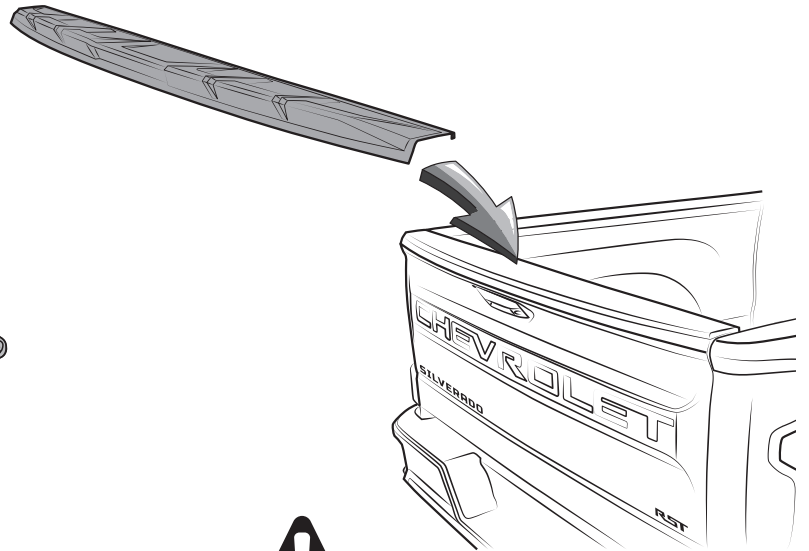
INSTALLATION MANUAL

The ideal temperature range of the part and the vehicle when installing must be 16°C (60°F) to 40°C (104°F), this guarantees a correct assembly.

1 CLEAN

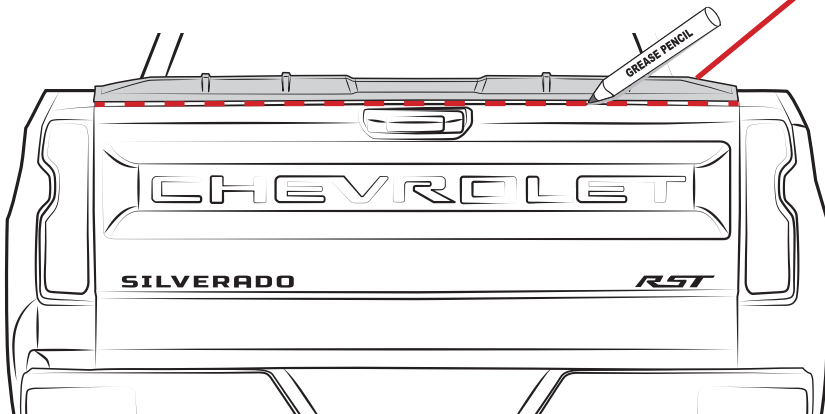
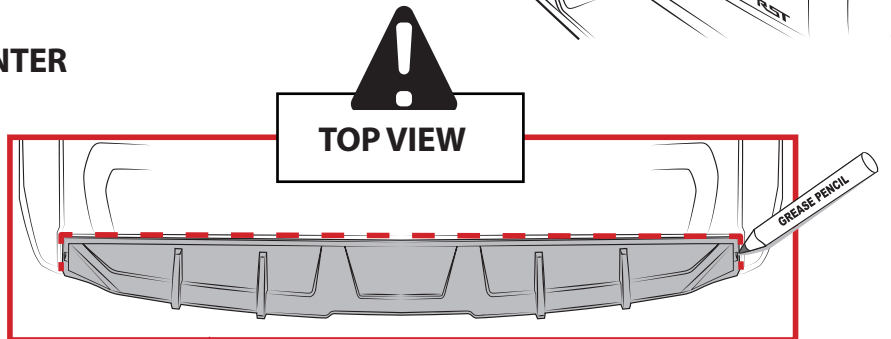


2 PRE-INSTALL

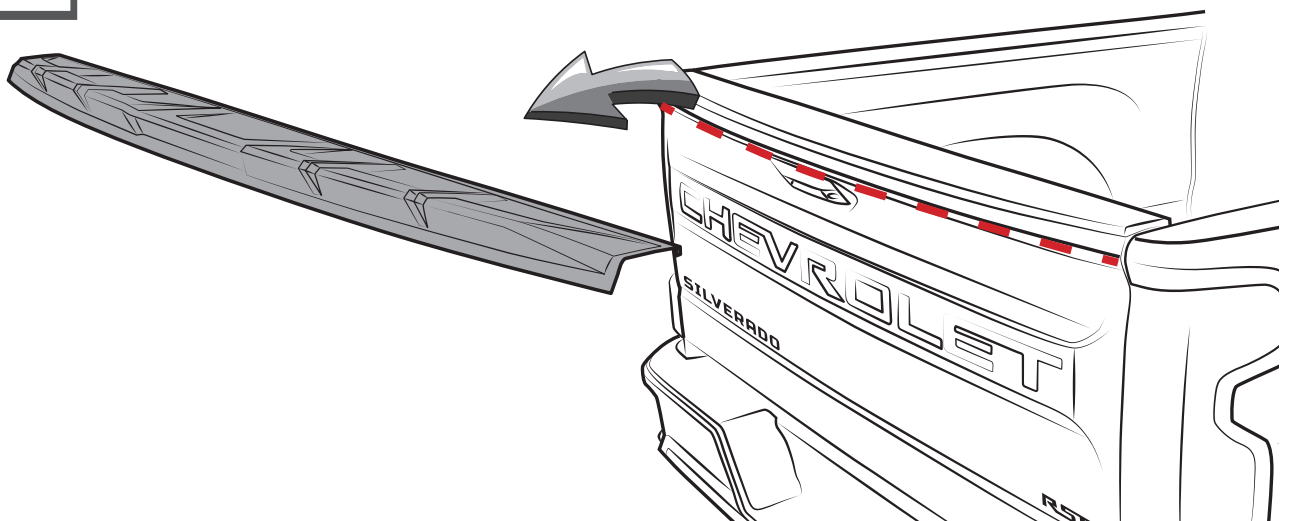


3 MARK

ALIGN & CENTER

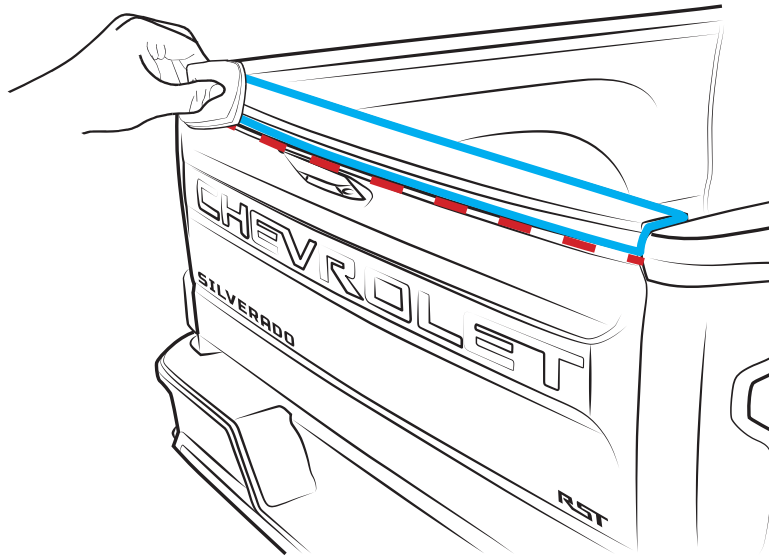


4 REMOVE

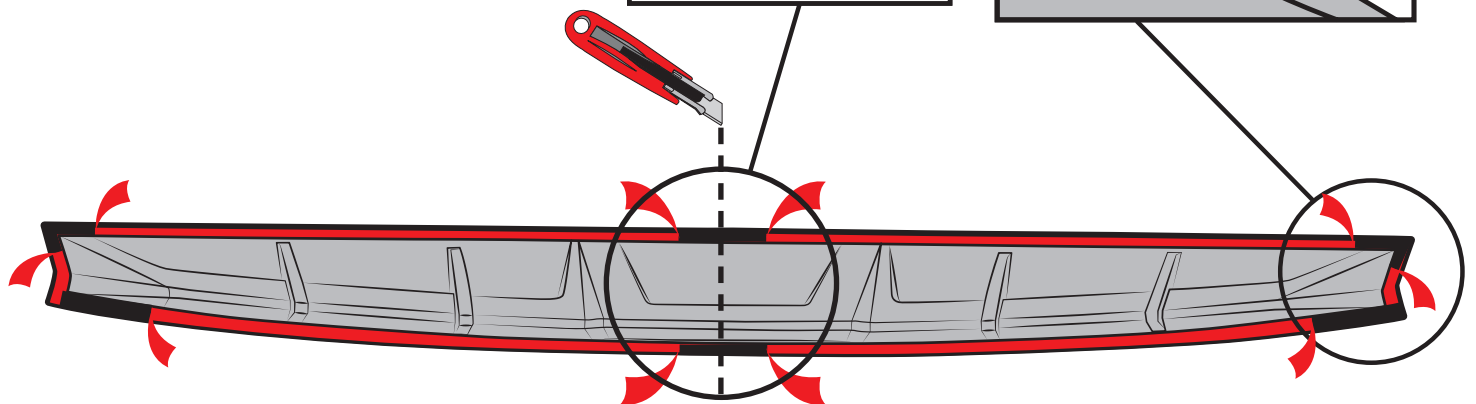
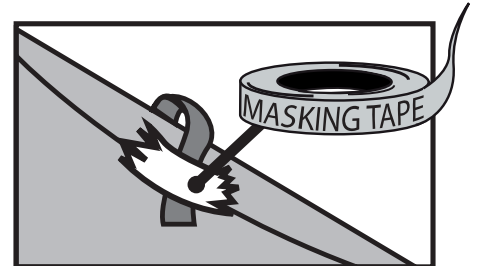
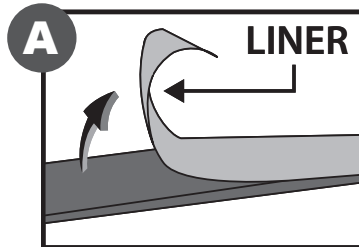


INSTALLATION MANUAL

4 APPLY ADHESION PROMOTER

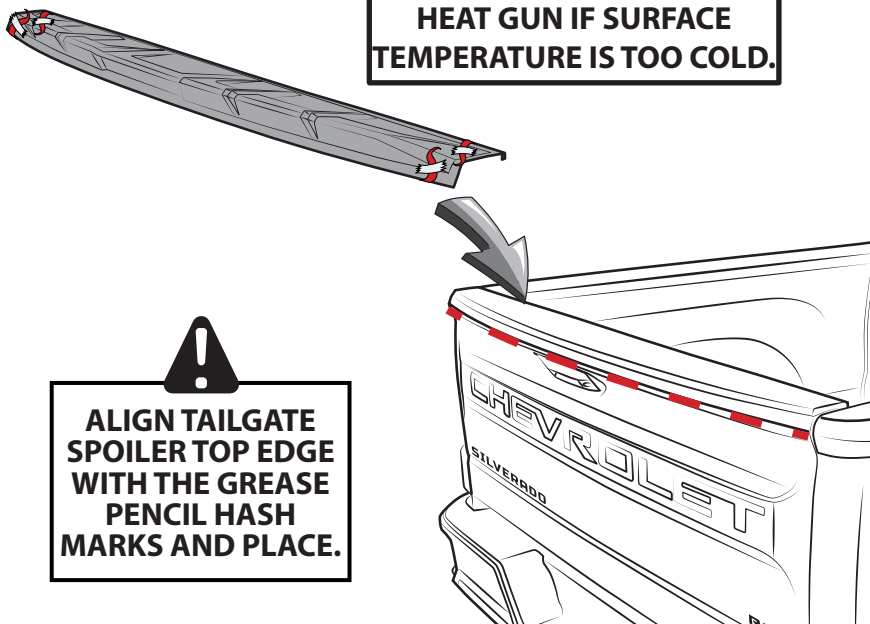


5 PEEL



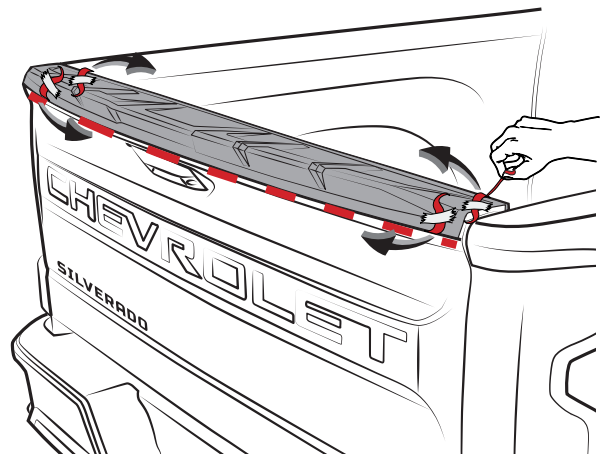
6 PLACE

WARM SURFACES WITH HEAT GUN IF SURFACE TEMPERATURE IS TOO COLD.



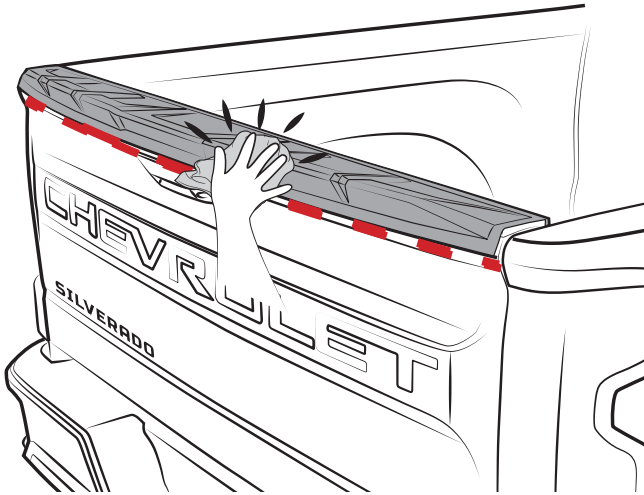
ALIGN TAILGATE SPOILER TOP EDGE WITH THE GREASE PENCIL HASH MARKS AND PLACE.

7 REMOVE LINER



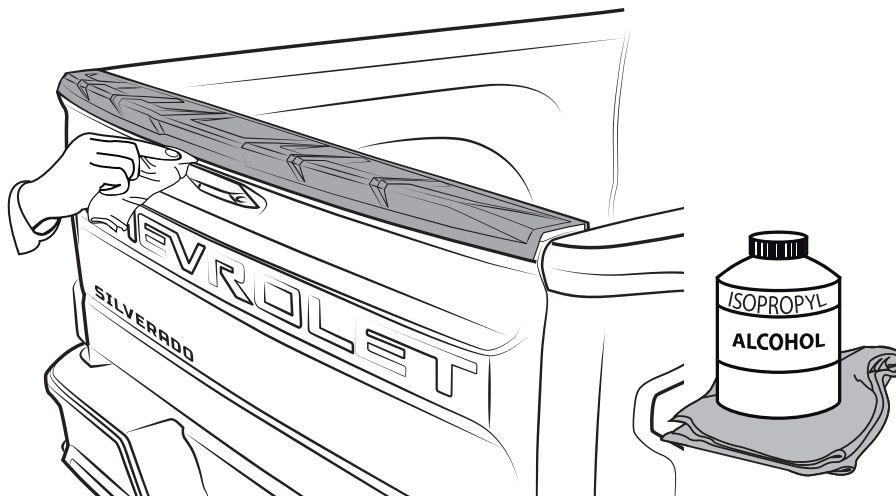
INSTALLATION MANUAL

8 PRESS FIRMLY



DURING APPLICATION, THE VEHICLE, ADD ON PARTS AND TAPE MUST BE AT OR ABOVE 16 °C OR 60 °F. A FULL SURFACE CONTACT BETWEEN TAPE AND SUBSTRATE IS IMPORTANT FOR GOOD ADHESION PERFORMANCE. CONTACT IS ACHIEVED BY APPLYING PRESSURE. IN PRACTICE A PRESSURE BETWEEN 40 AND 50 N/CM² IS USUALLY NEEDED.

9 CLEAN OFF GREASE PENCIL MARK



INSTALLED PART

