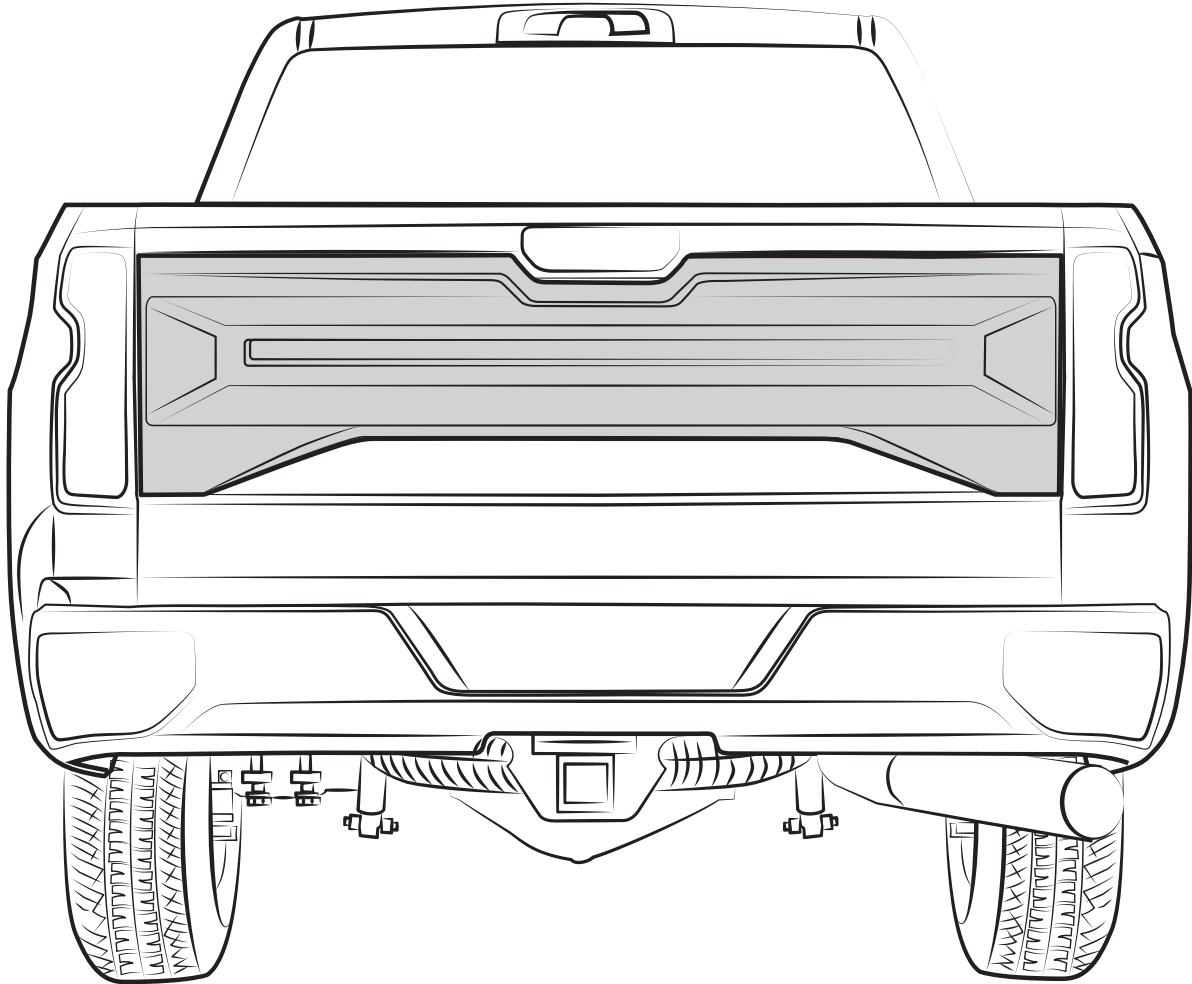


INSTALLATION MANUAL

TAILGATE APPLIQUE
AD PART #: GM39A33



**READ CAREFULLY BEFORE
INSTALLATION**

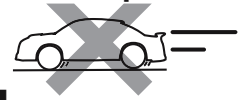


AFTER INSTALLING

**DO NOT
WASH CAR**



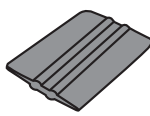
**DRIVE SLOWLY
25 mph max**



24 hrs

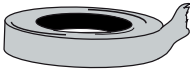



TOOLS



CHECK LIST

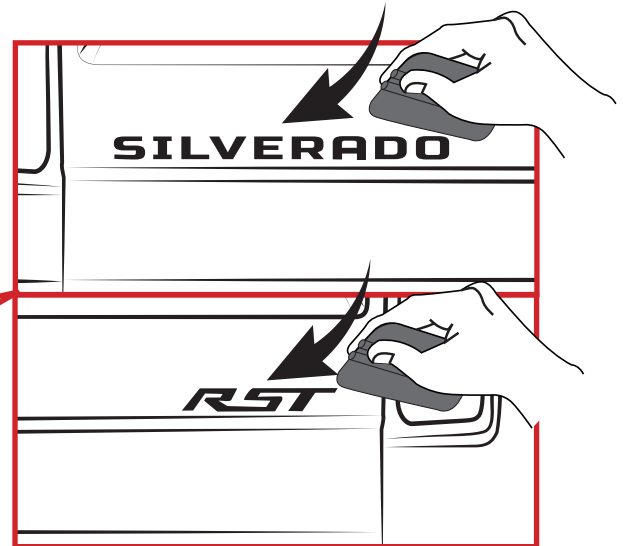
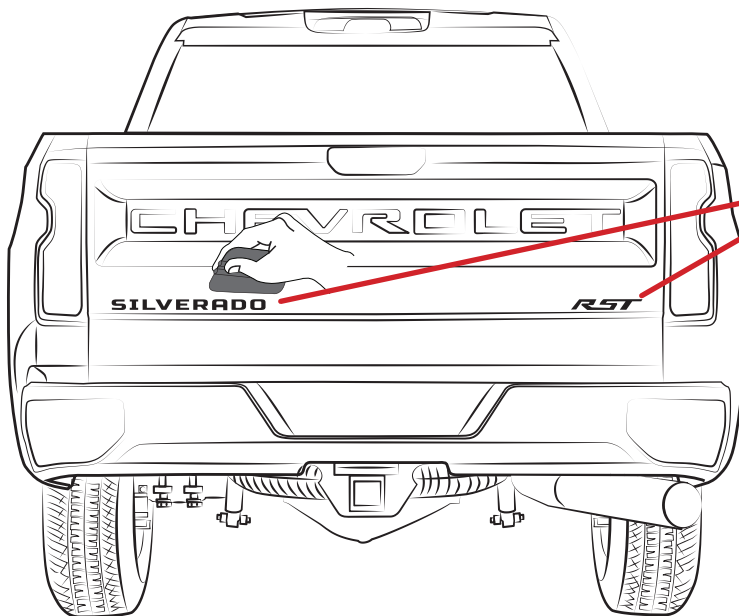
*Already pre-installed on the part

ITEM	DESCRIPTION	DRAWING	AMOUNT
A	*VHB TAPE		INCLUDED IN ALL PARTS
B	ADHESION PROMOTER		1 PC

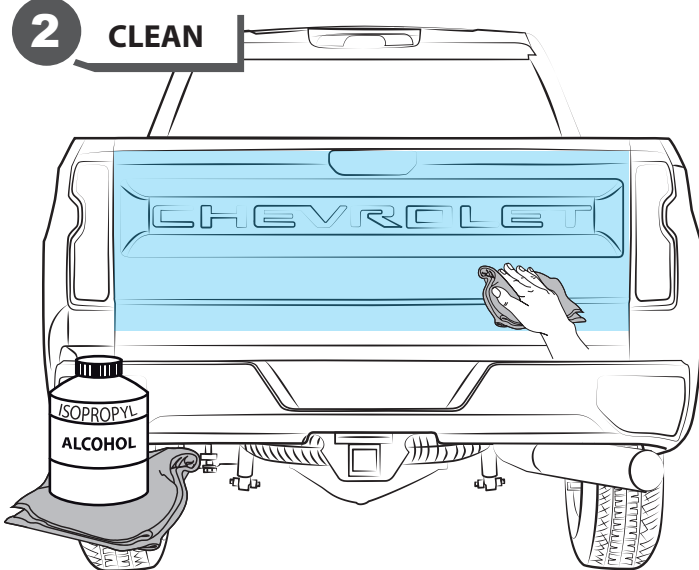
INSTALLATION MANUAL

The ideal temperature range of the part and the vehicle when installing must be 16°C (60°F) to 40°C (104°F), this guarantees a correct assembly.

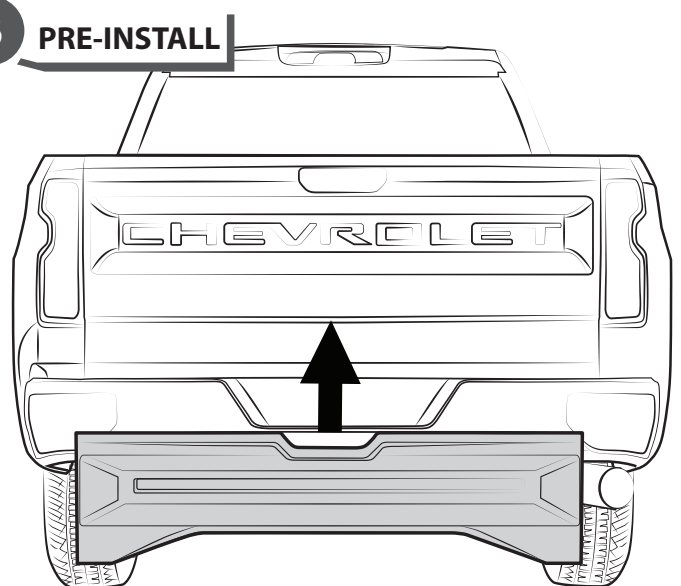
1 REMOVE EMBLEMS



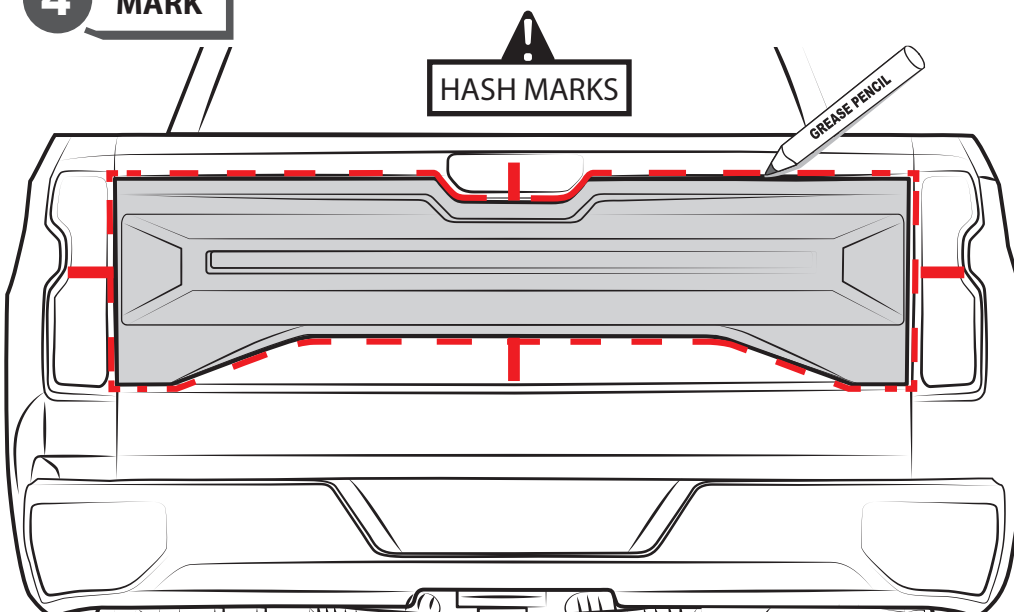
2 CLEAN



3 PRE-INSTALL



4 MARK

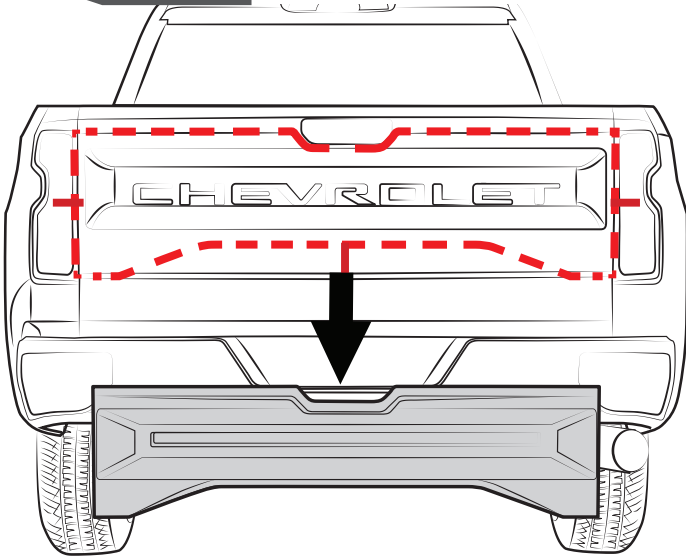


DRAW HASH MARK WITH GREASE PENCIL ON TAILGATE APPLIQUE AND SHEET METAL, THIS WILL ENSURE TAILGATE APPLIQUE WILL BE CENTERED TO GREASE PENCIL OUTLINE.

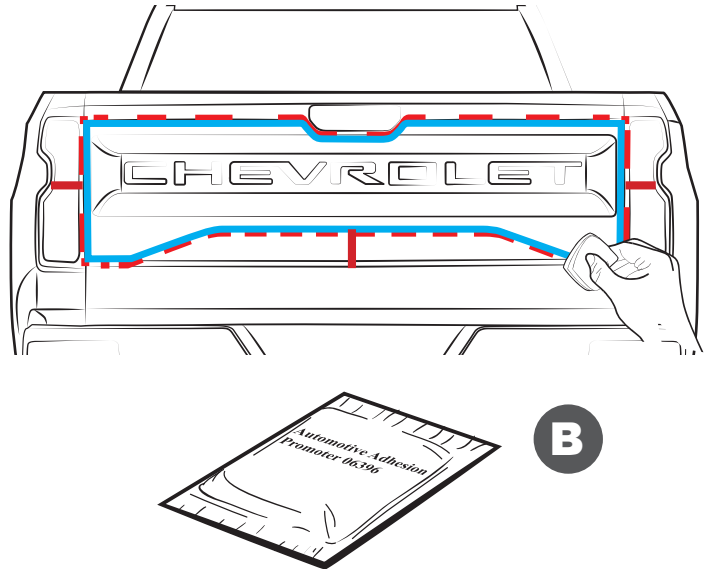
ALIGN & CENTER

INSTALLATION MANUAL

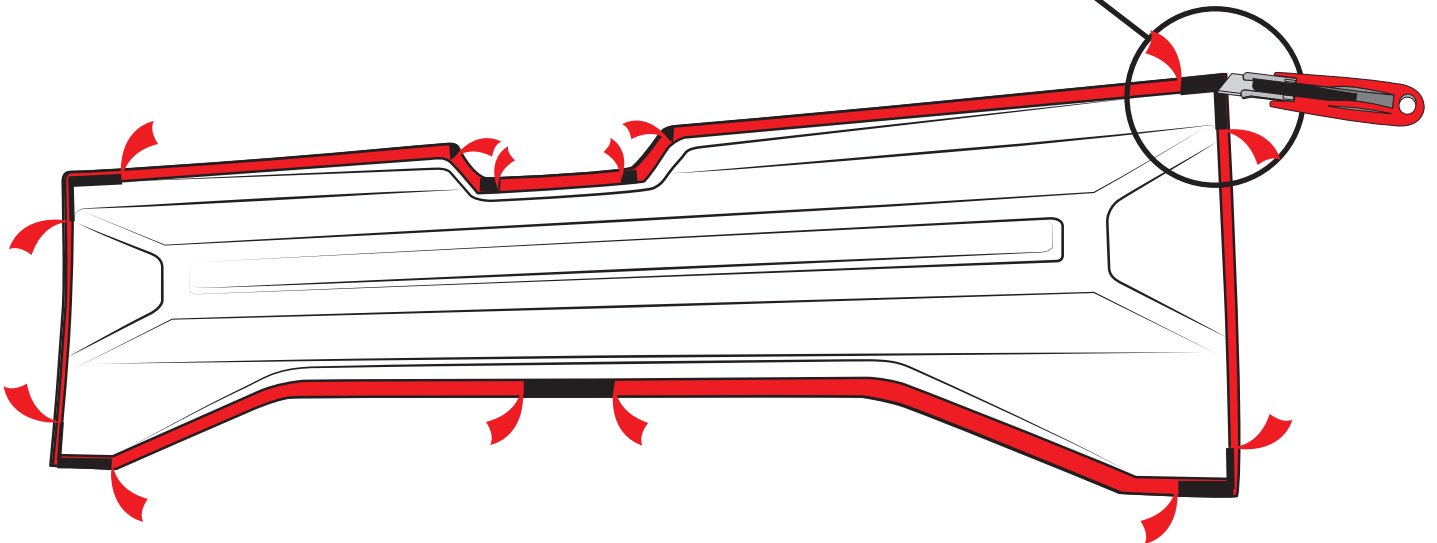
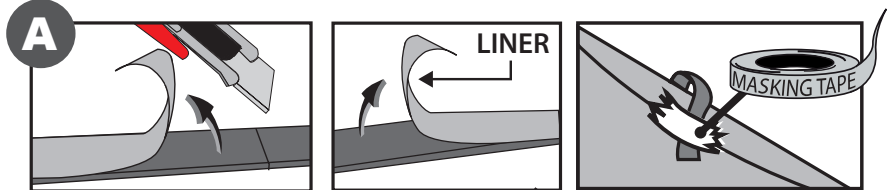
5 REMOVE



6 ADHESION PROMOTER

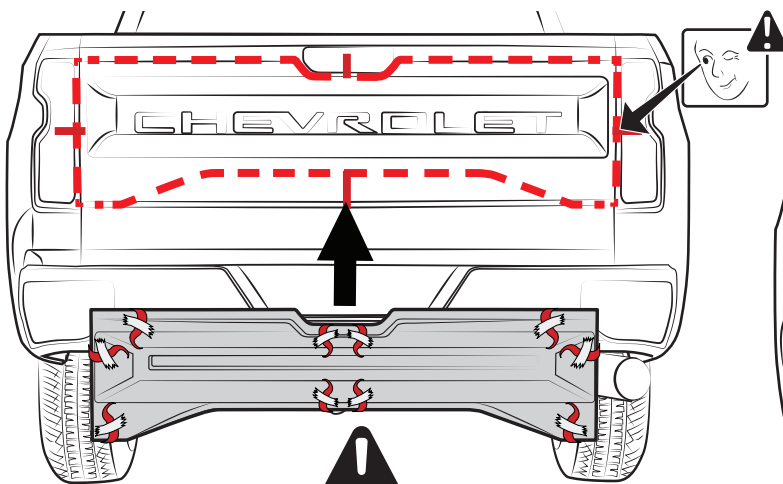


7 PEEL

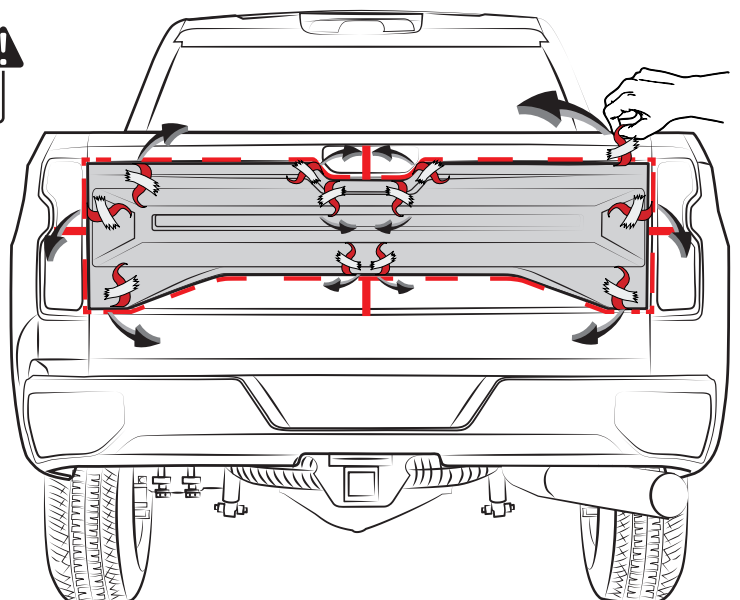


8 PLACE

ALIGN WITH MARKS



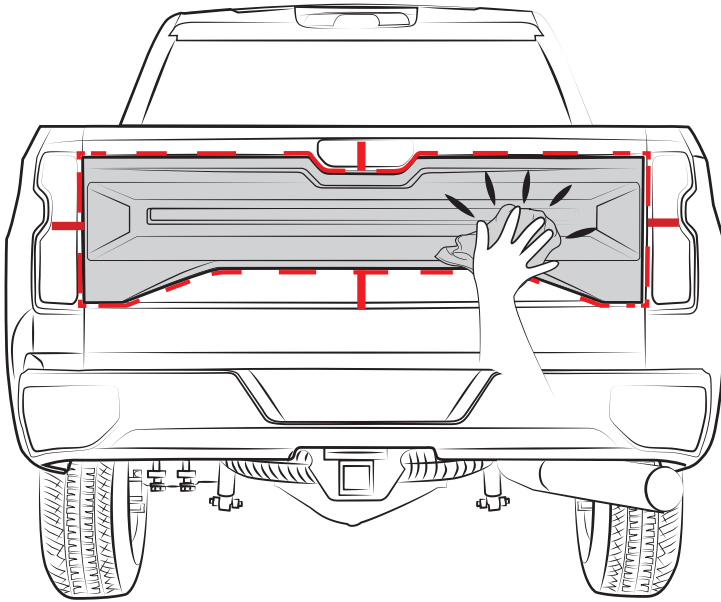
9 REMOVE LINER



WARM SURFACES WITH HEAT GUN IF SURFACE TEMPERATURE IS TOO COLD.

INSTALLATION MANUAL

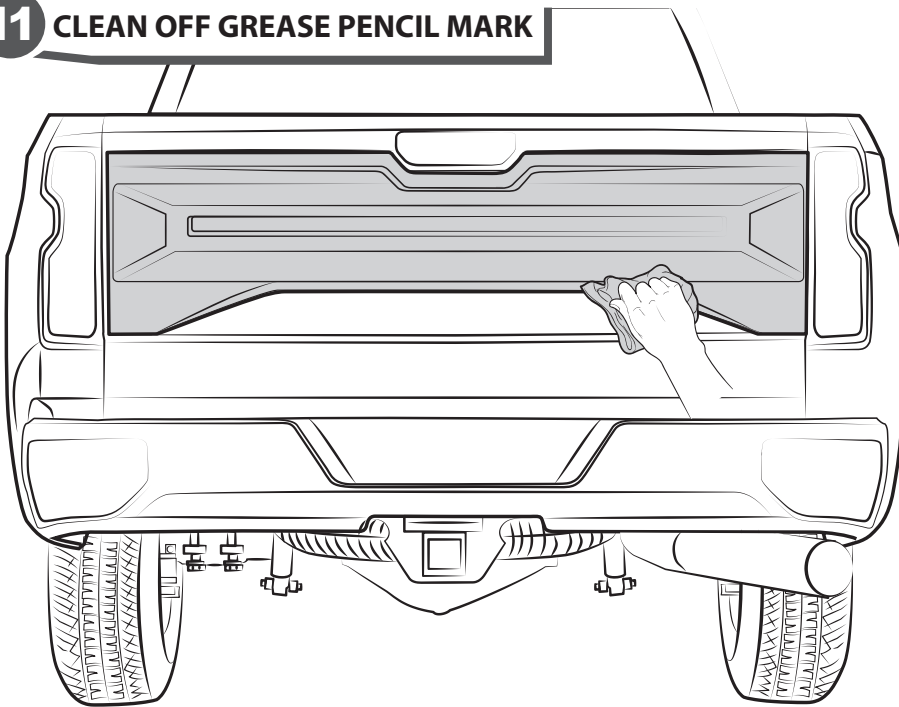
10 PRESS FIRMLY



DURING APPLICATION, THE VEHICLE, ADD ON PARTS AND TAPE MUST BE AT OR ABOVE 16 °C OR 60 °F. A FULL SURFACE CONTACT BETWEEN TAPE AND SUBSTRATE IS IMPORTANT FOR GOOD ADHESION PERFORMANCE. CONTACT IS ACHIEVED BY APPLYING PRESSURE.

IN PRACTICE A PRESSURE BETWEEN 40 AND 50 N/CM² IS USUALLY NEEDED.

11 CLEAN OFF GREASE PENCIL MARK



INSTALLED PART

