

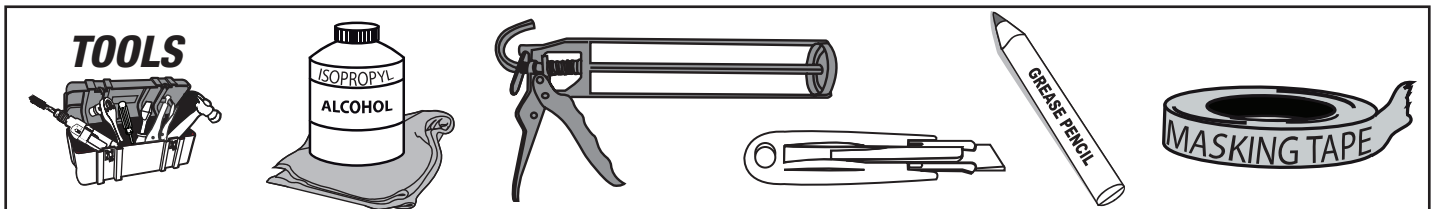
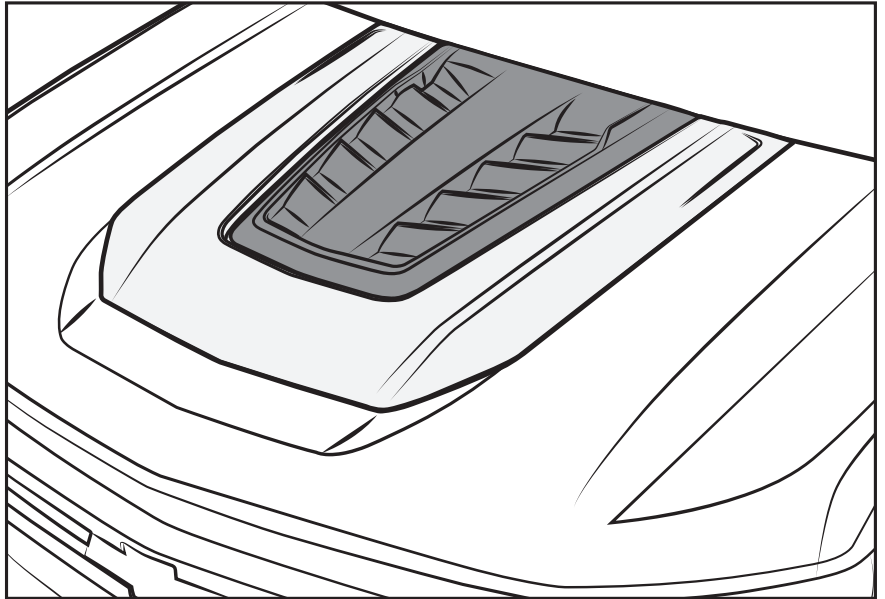
INSTALLATION MANUAL

HOOD SCOOP

AD PART #: : GM39A01





**READ CAREFULLY
BEFORE INSTALLATION**



**WASH & CLEAN
PROPERLY BEFORE
INSTALLING**



CHECK LIST

*Already installed in the part

ITEM	DESCRIPTION	DRAWING	AMOUNT
A	*VHB TAPE		INCLUDED IN THE PARTS
B	ADHESION PROMOTER		1 PC
C	POLYURETHANE ADHESIVE 310 ml		1 PC


WARNING!! Do not install Hood Scoops or other Body Parts directly Over Wrapped areas. Before installation of the parts , you must leave at least a 1/4" (6 mm) perimetral clearance "Free from Vinyl" surrounding the part, before Part installation.


WARNING!! Do not install Hood Scoops Over Vinyl or Over Plastic Stripes on the Hood: 3M Adhesive Tape and PUR Adhesive must always be in contact with the Sheet Metal of the vehicle.


WARNING!! Rust Prevention Oils and other Petrol Based Anti Rust Treatments for Vehicles may affect 3M's Double Adhesive Tape and Polyurethane Adhesive performance!



AFTER INSTALLING

DO NOT WASH CAR



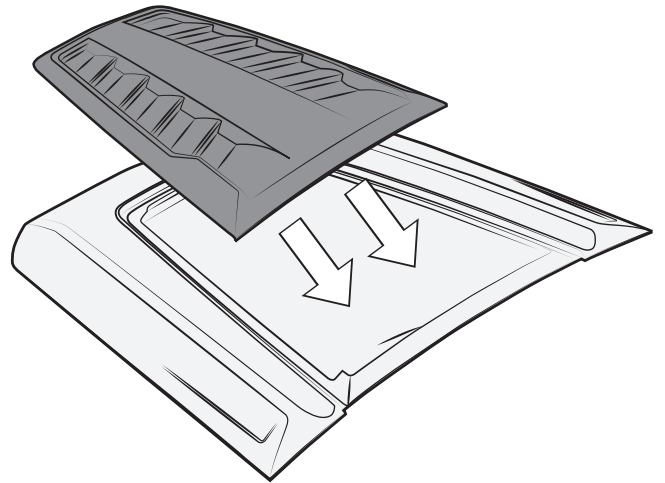

48 hrs

INSTALLATION MANUAL

1 CLEAN

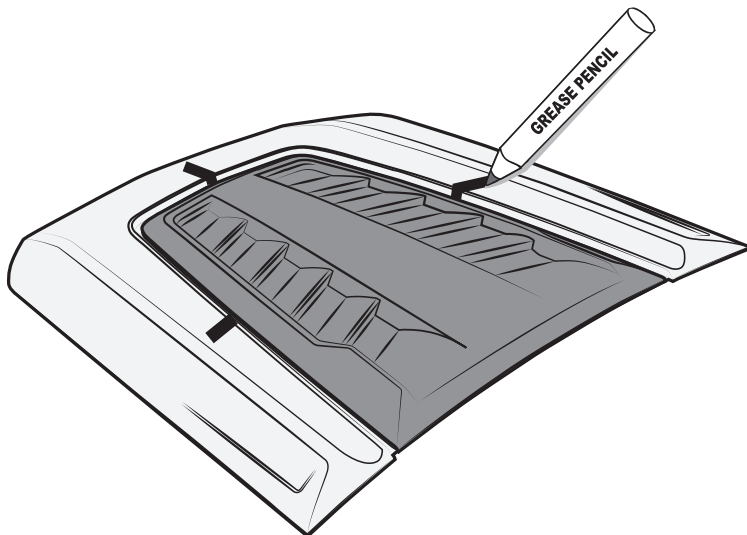


2 PRE-INSTALL

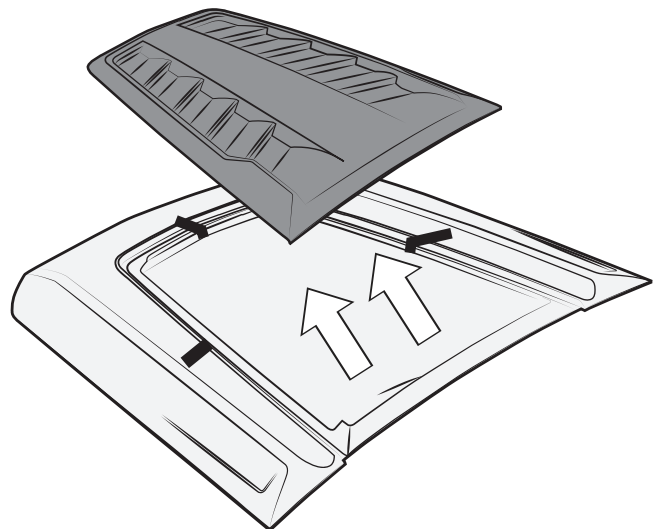


3 MARK

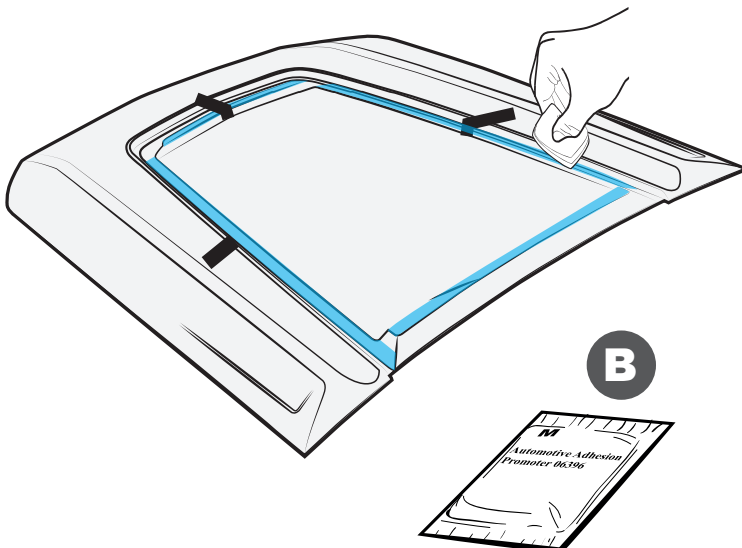
HASH MARKS



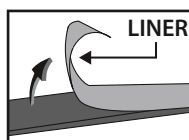
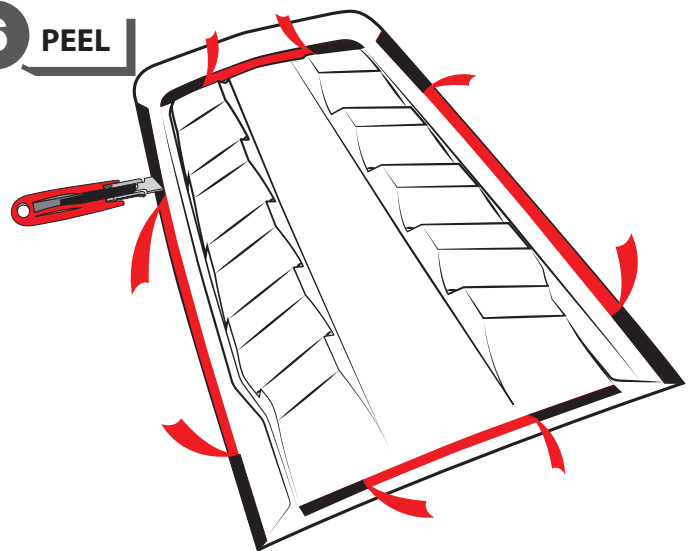
4 REMOVE



5 ADHESION PROMOTER

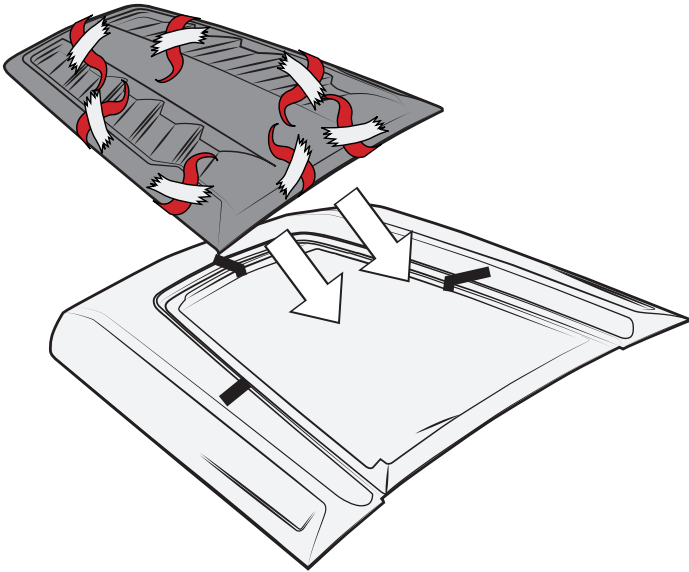


6 PEEL



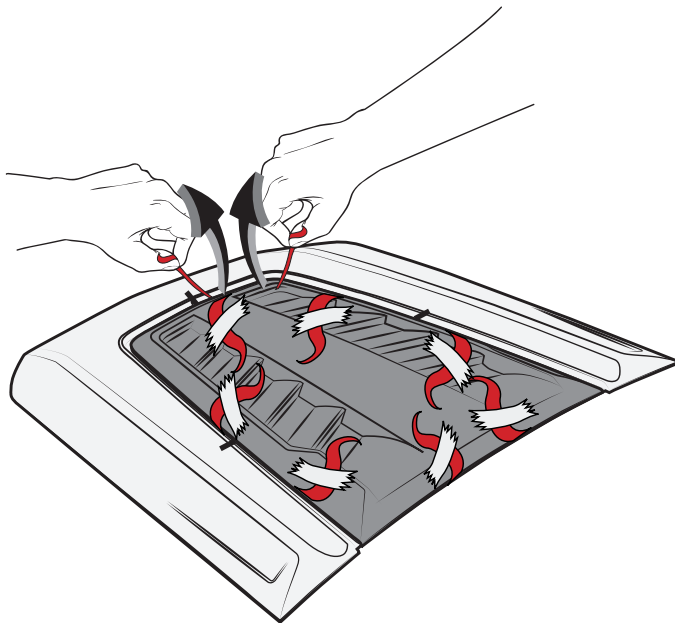
INSTALLATION MANUAL

7 PLACE

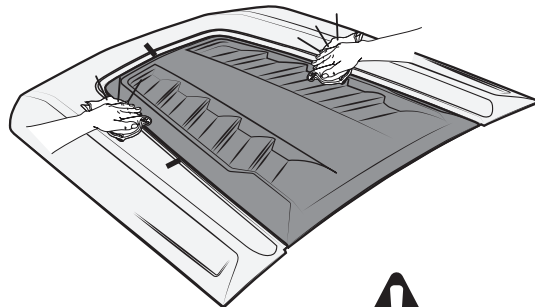


WARM SURFACES WITH HEAT GUN IF SURFACE TEMPERATURE IS TOO COLD.

8 REMOVE LINER

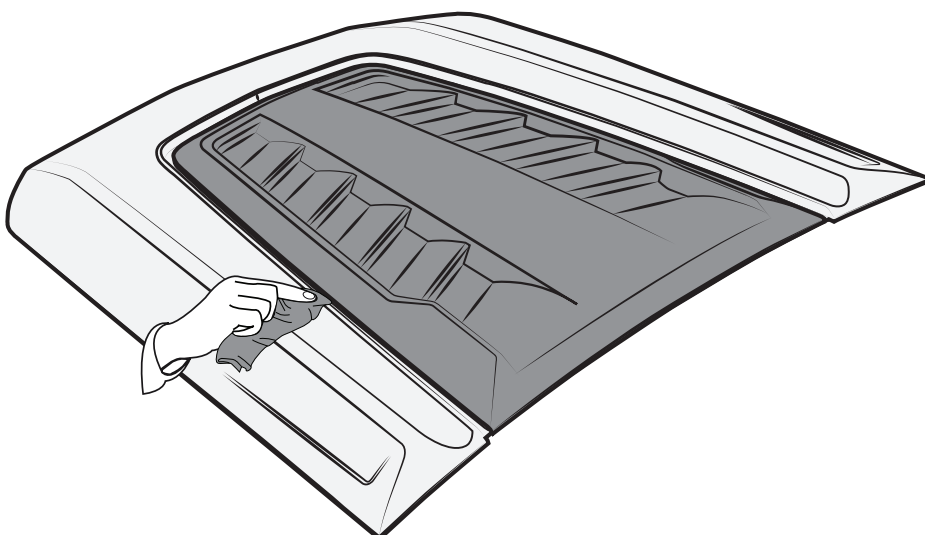


9 PRESS FIRMLY



DURING APPLICATION, THE VEHICLE, ADD ON PARTS AND TAPE MUST BE AT OR ABOVE 16 °C OR 60 °F. A FULL SURFACE CONTACT BETWEEN TAPE AND SUBSTRATE IS IMPORTANT FOR GOOD ADHESION PERFORMANCE. CONTACT IS ACHIEVED BY APPLYING PRESSURE. IN PRACTICE A PRESSURE BETWEEN 40 AND 50 N/CM² IS USUALLY NEEDED.

10 CLEAN OFF GREASE PENCIL MARK



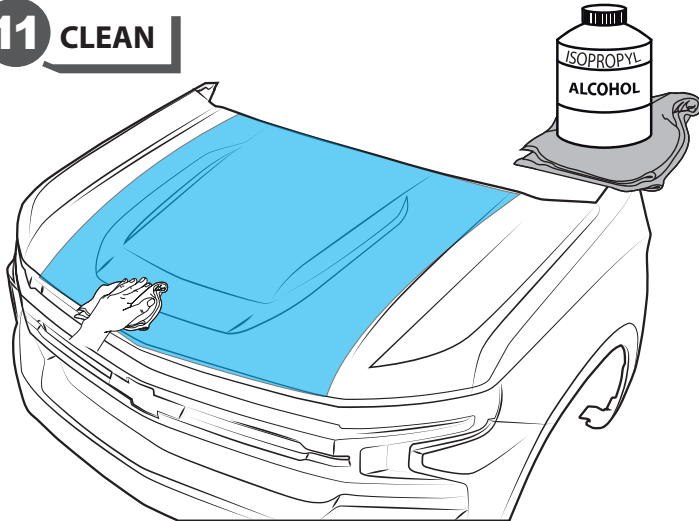
INSTALLATION MANUAL



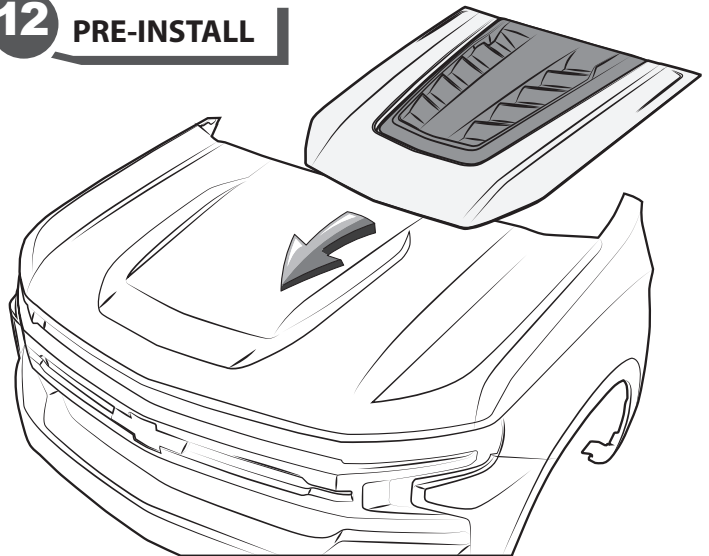
Vehicle and part must be at 16°C or 60°F or more before installation.

Keep the vehicle and parts in an environment that is within the recommended installation temperature range for 4 hours.

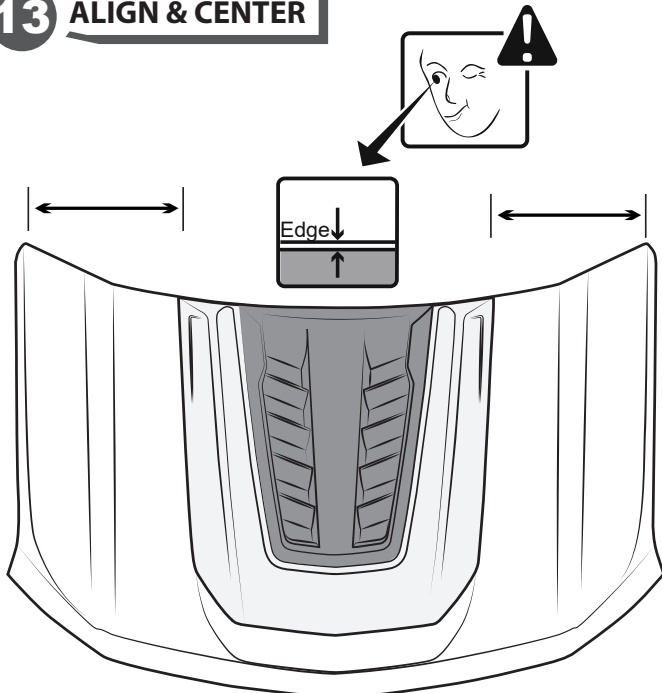
11 CLEAN



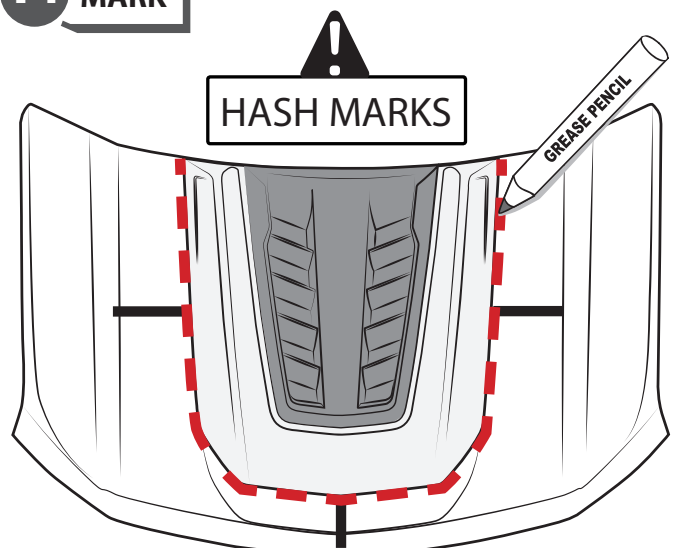
12 PRE-INSTALL



13 ALIGN & CENTER

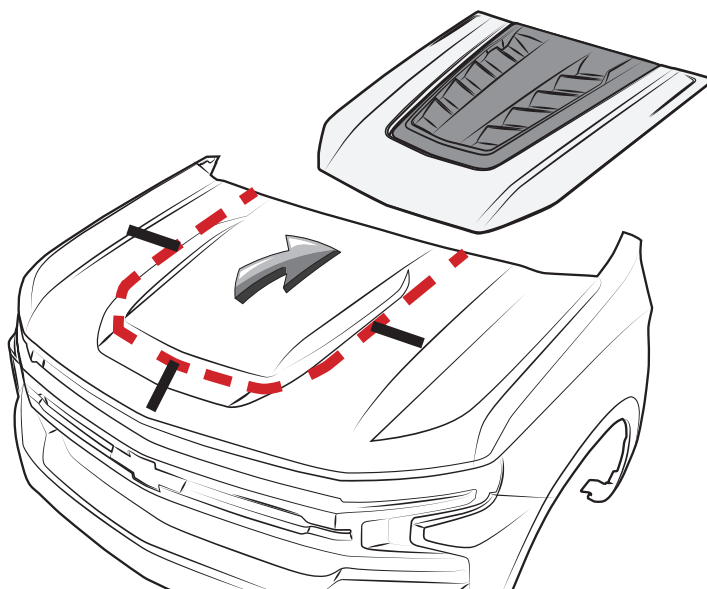


14 MARK



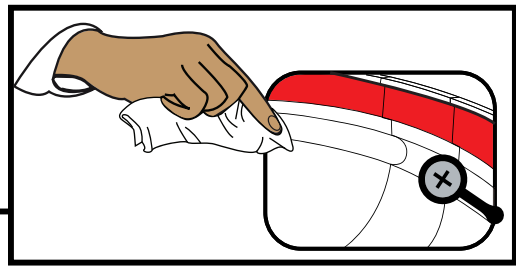
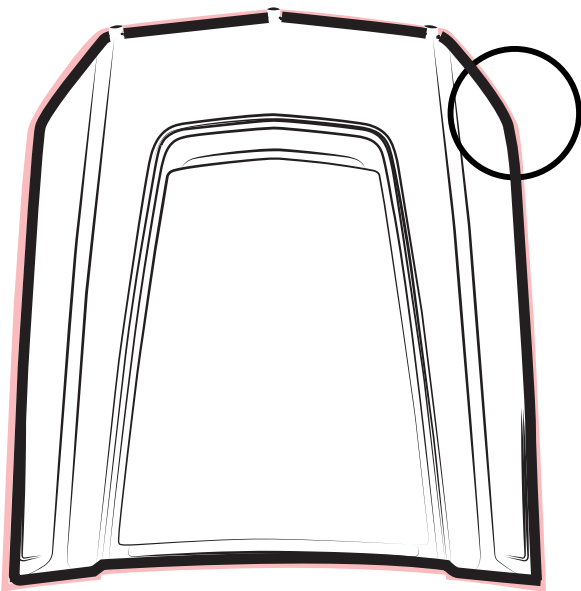
DRAW HASH MARK WITH GREASE PENCIL ON HOOD SCOOP AND SHEET METAL, THIS WILL ENSURE HOOD SCOOP WILL BE CENTERED TO GREASE PENCIL OUTLINE.

15 REMOVE

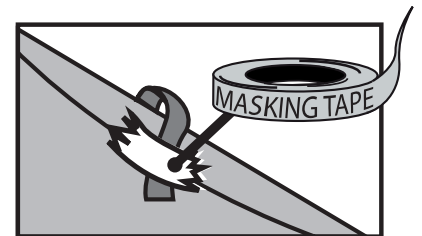
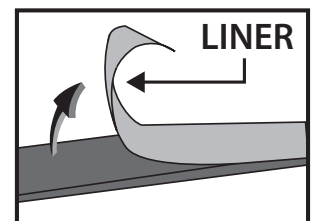
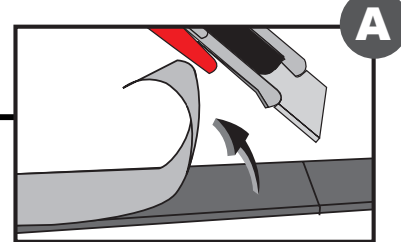
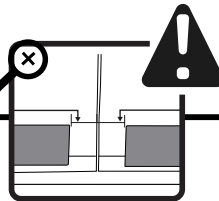
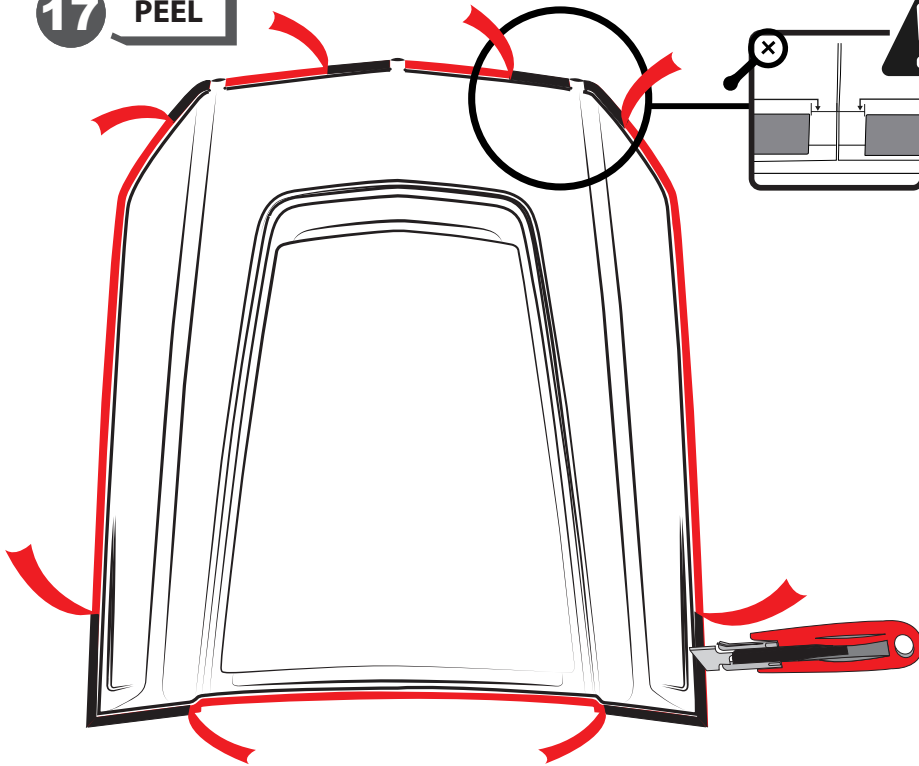


INSTALLATION MANUAL

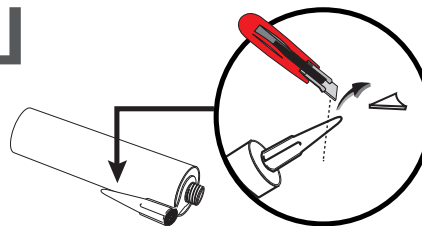
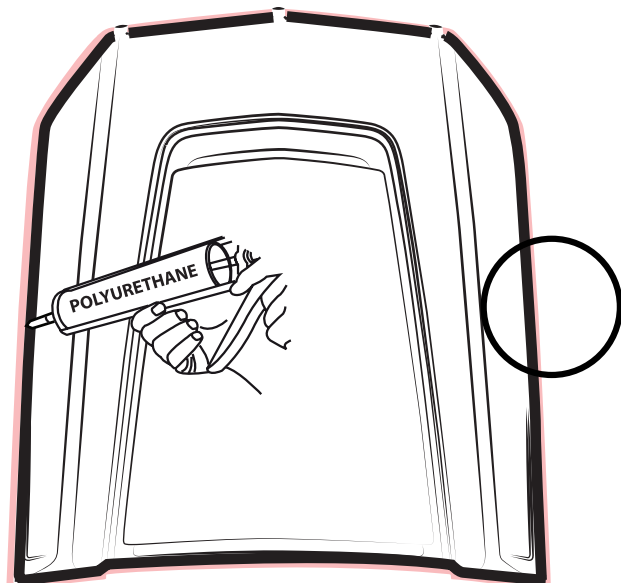
16 CLEAN INNER CHANNEL



17 PEEL

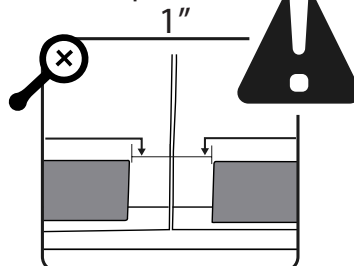


18 APPLY POLYURETHANE ADHESIVE

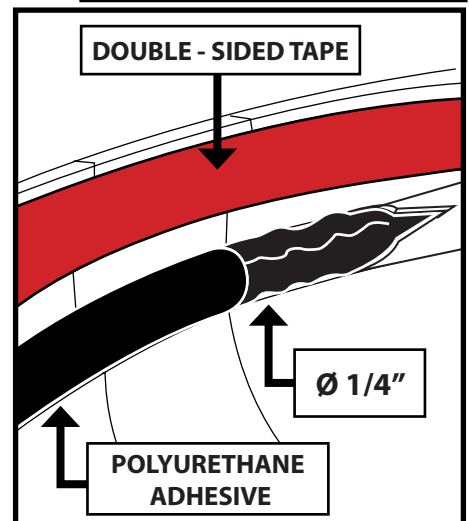


**WATER DRAIN
KEEP OPEN WITHOUT
ADHESIVE**

Keep the indicated
separation

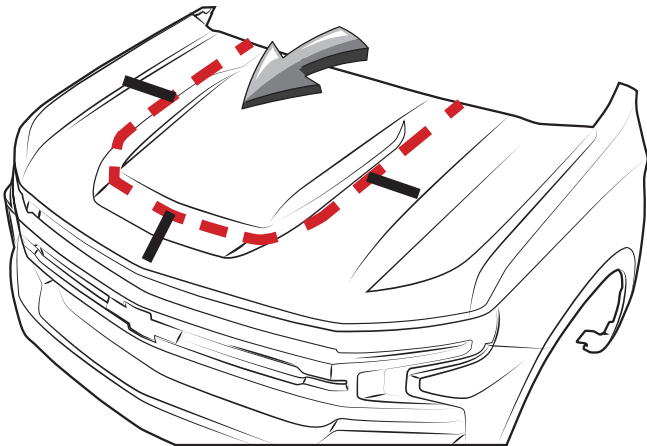


**POLYURETHANE ADHESIVE
MUST NEVER TOUCH THE
DOUBLE SIDED TAPE**

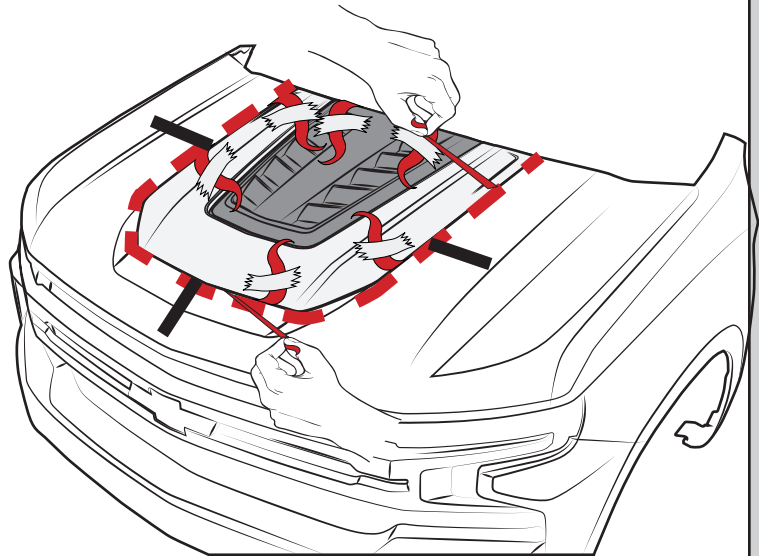


INSTALLATION MANUAL

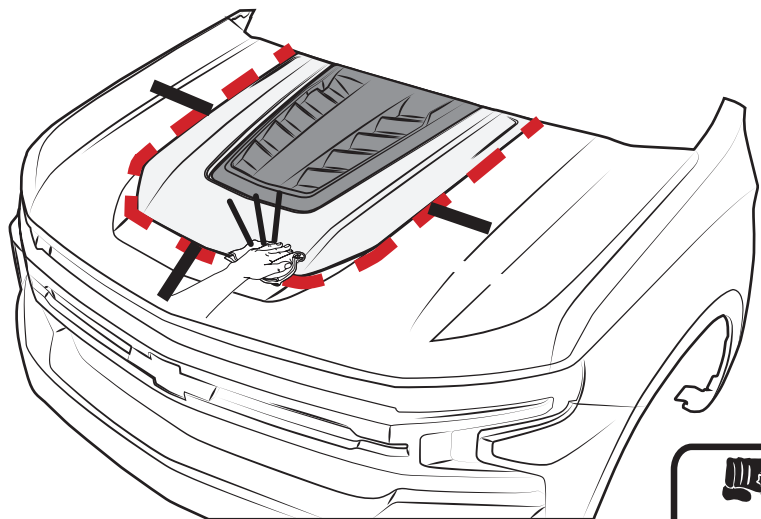
19 PLACE



20 REMOVE LINER



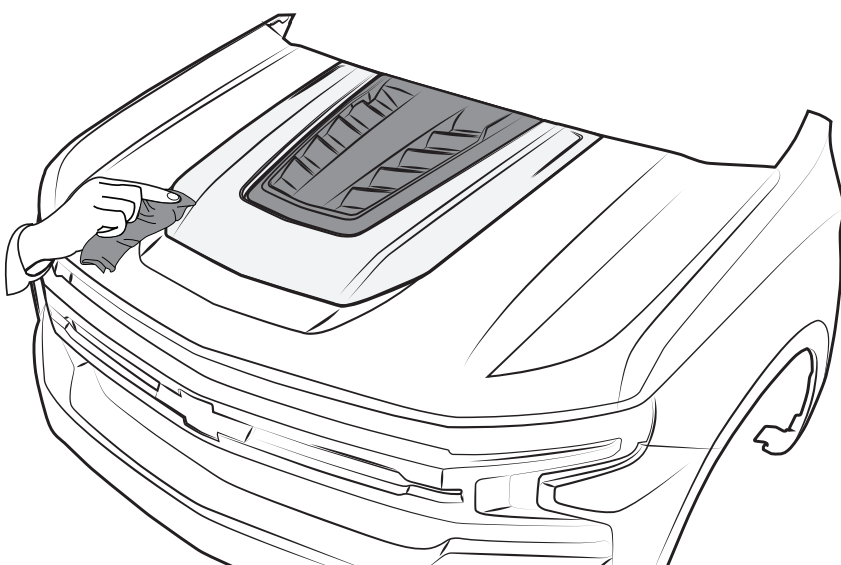
21 PRESS



DURING APPLICATION, THE VEHICLE, ADD ON PARTS AND TAPE MUST BE AT OR ABOVE 16 °C OR 60 °F.
A FULL SURFACE CONTACT BETWEEN TAPE AND SUBSTRATE IS IMPORTANT FOR GOOD ADHESION PERFORMANCE. CONTACT IS ACHIEVED BY APPLYING PRESSURE. IN PRACTICE A PRESSURE BETWEEN 40 AND 50 N/CM² IS USUALLY NEEDED.



22 CLEAN OFF GREASE PENCIL MARK



INSTALLED PART

