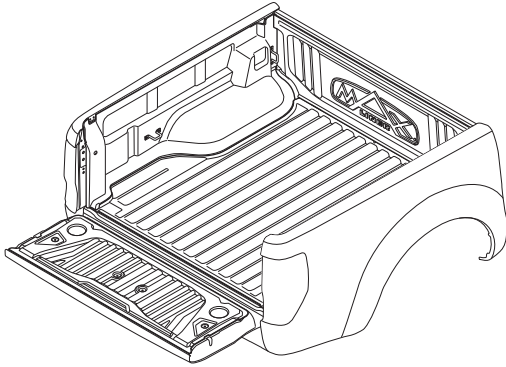


INSTALLATION INSTRUCTIONS MANUAL



Caution for installation

Read this mounting manual carefully, before your start the installation.

1. Area where to install product should be clean.
2. During installation, person who installed should take off any ornaments.

Product name	BED LINER 5 Pcs.
Model name	FORD RANGER DBC 2016
Inst. number	L03-1558

Component parts

1 x1	2 x1	3 x1	4 x1	5 x1
6 x2	7 M8 OD23 x12	8 M6 x2	9 6/20 x6	

Tools used

Instruction procedure

1

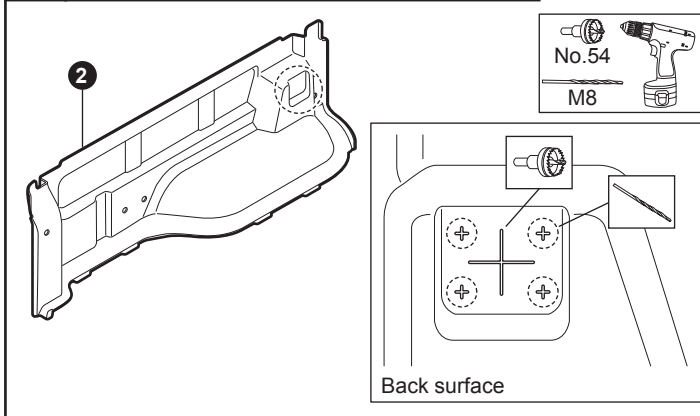
1.1

1.2

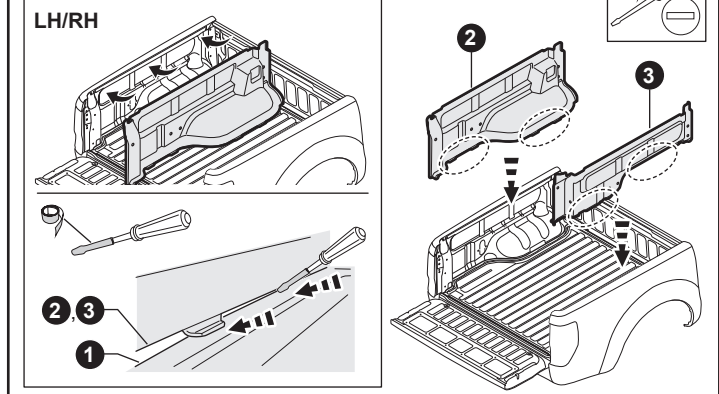
2

Instruction procedure

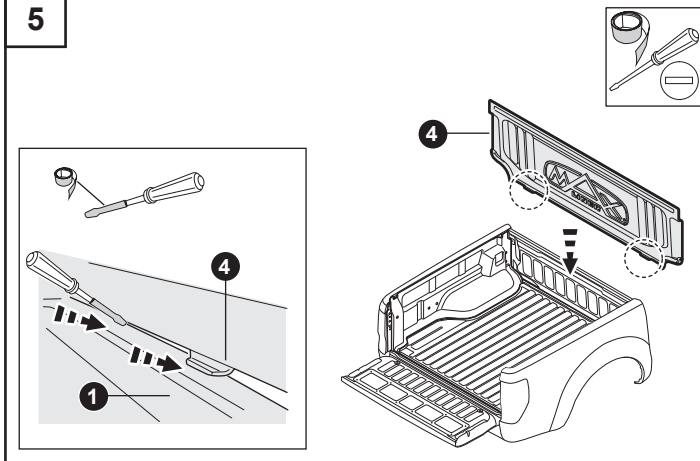
3 Installation with power socket



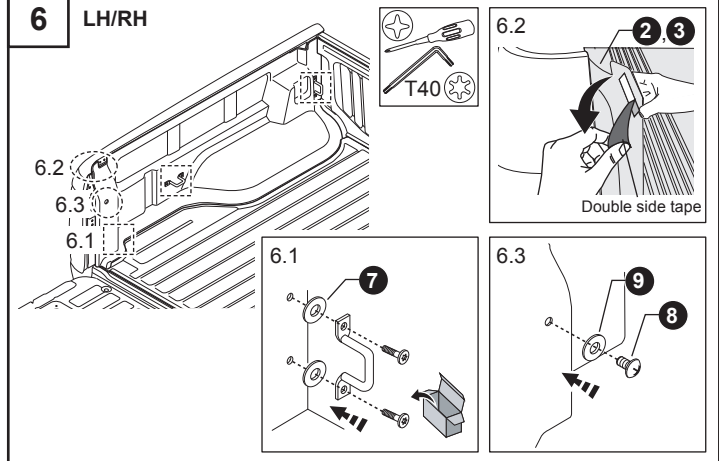
4



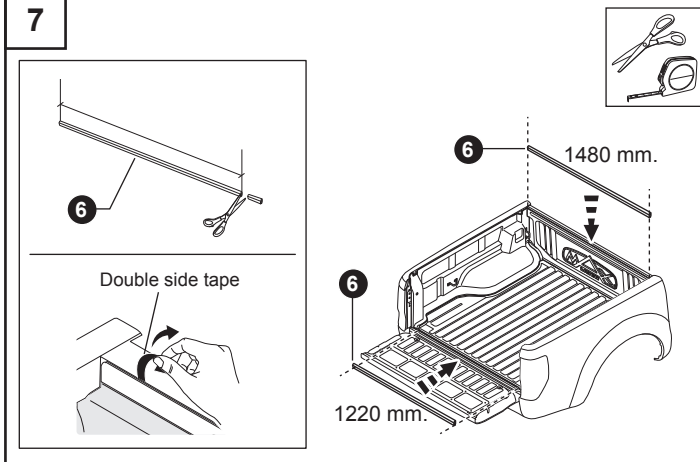
5



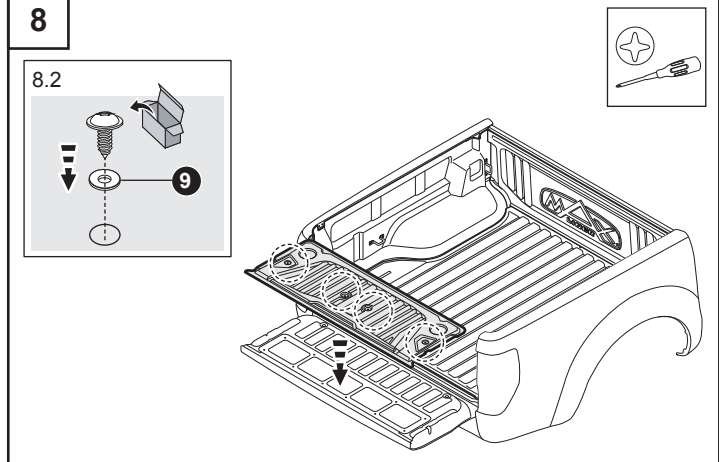
6 LH/RH



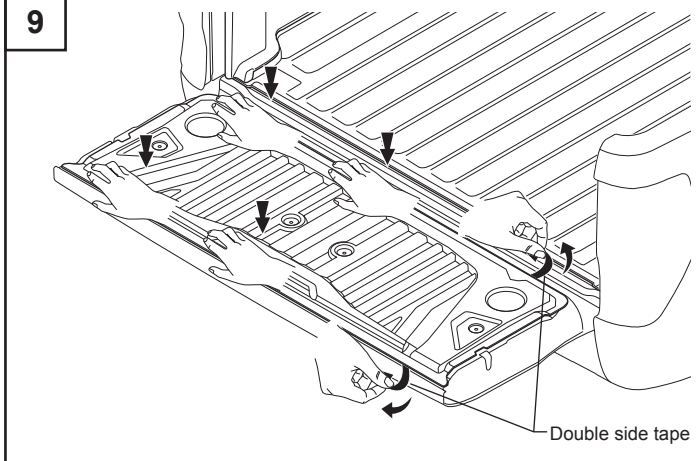
7



8



9



10

