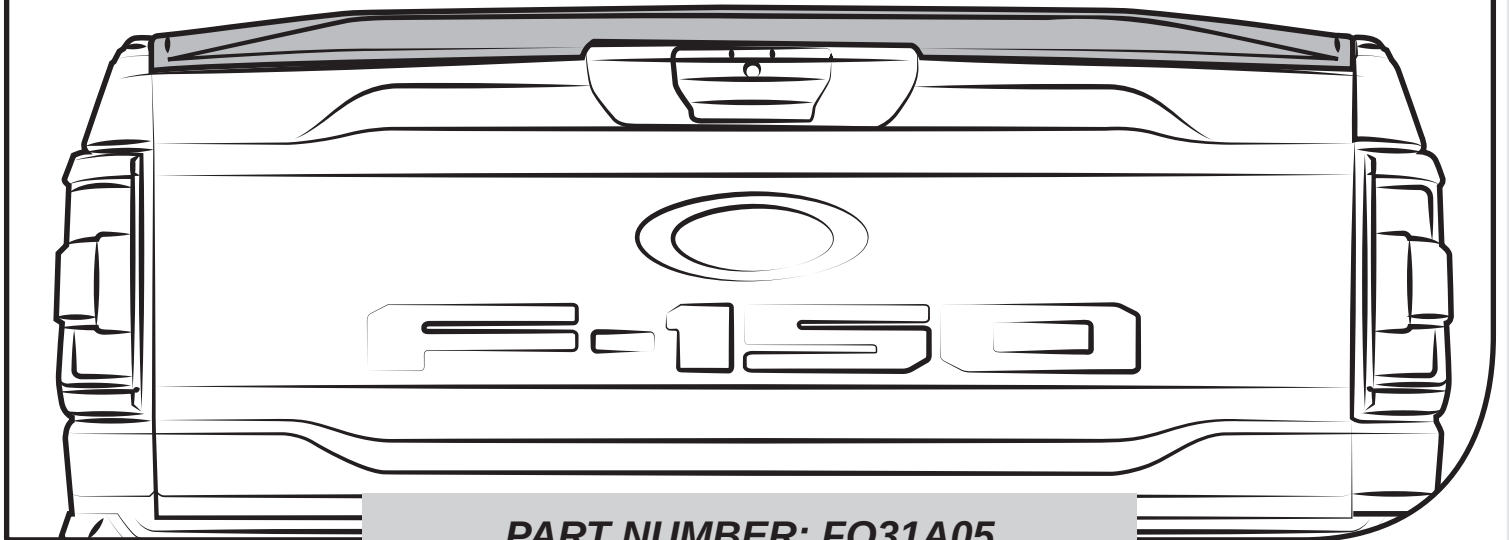


TAILGATE SPOILER

INSTALLATION MANUAL

! READ THIS MANUAL CAREFULLY



PART NUMBER: FO31A05

BEFORE INSTALLING



WASH & CLEAN PROPERLY



WE RECOMMEND 2 PERSONS FOR INSTALLATION

AFTER INSTALLING



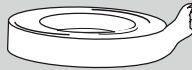

DO NOT WASH IN 48 HRS

TOOLS



CHECK LIST

***ALREADY INSTALLED ON THE PART**

ITEM	DESCRIPTION	DRAWING	AMOUNT
A	*VHB TAPE		N/A
B	ADHESION PROMOTER		1 PC

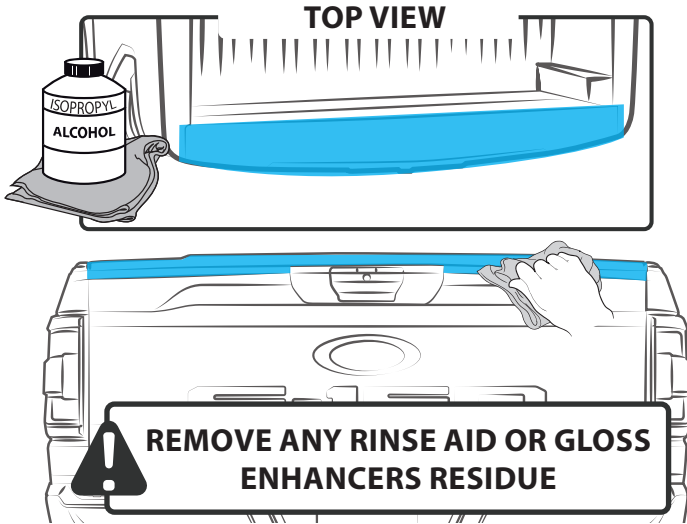
TAILGATE SPOILER

PART NUMBER: FO31A05

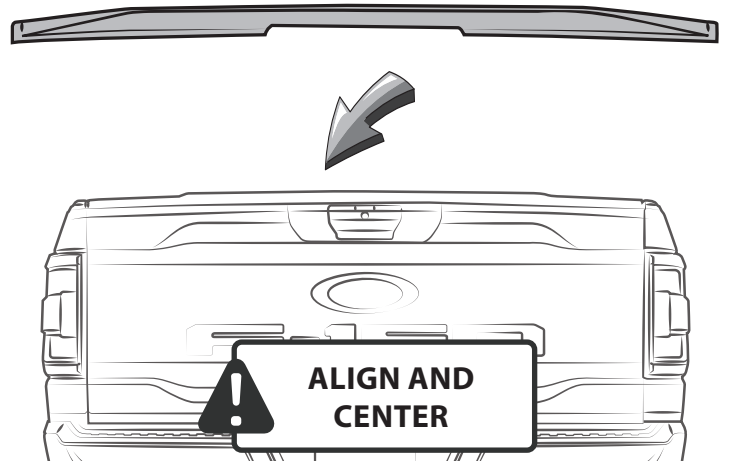


THE IDEAL TEMPERATURE RANGE OF THE PART AND THE VEHICLE WHEN INSTALLING MUST BE 16°C (60°F) TO 40°C (104°F), THIS GUARANTEES A CORRECT ASSEMBLY.

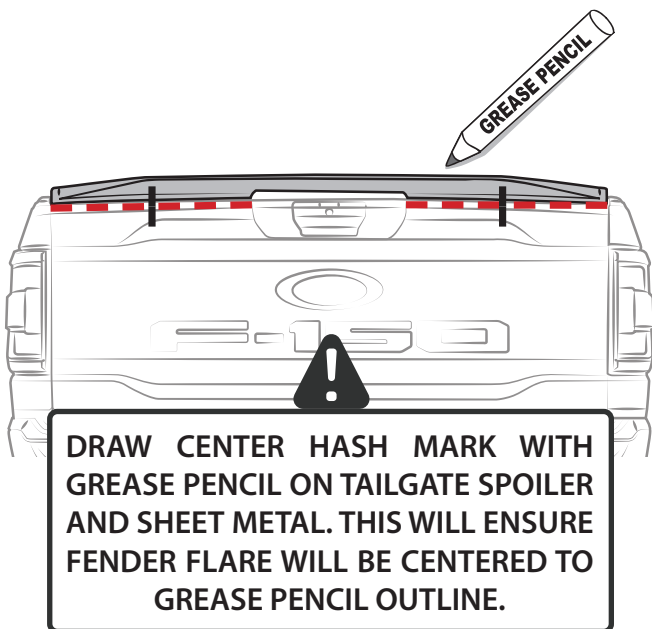
1 CLEAN



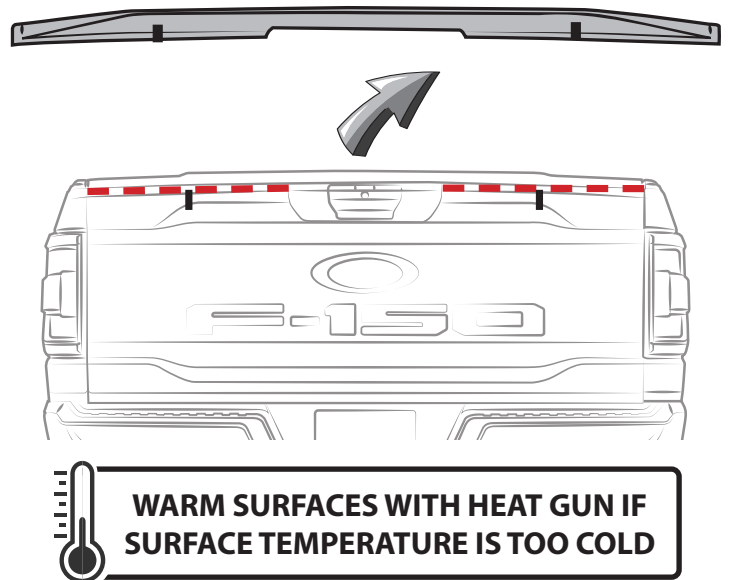
2 TEST FIT THE PART



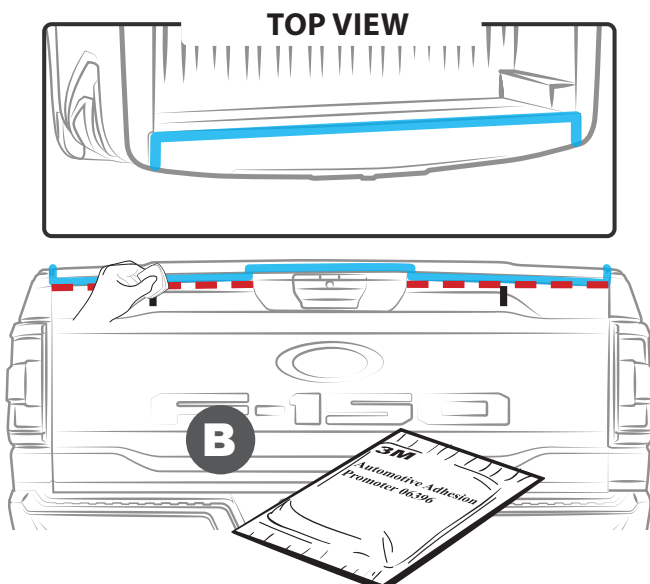
3 MARK



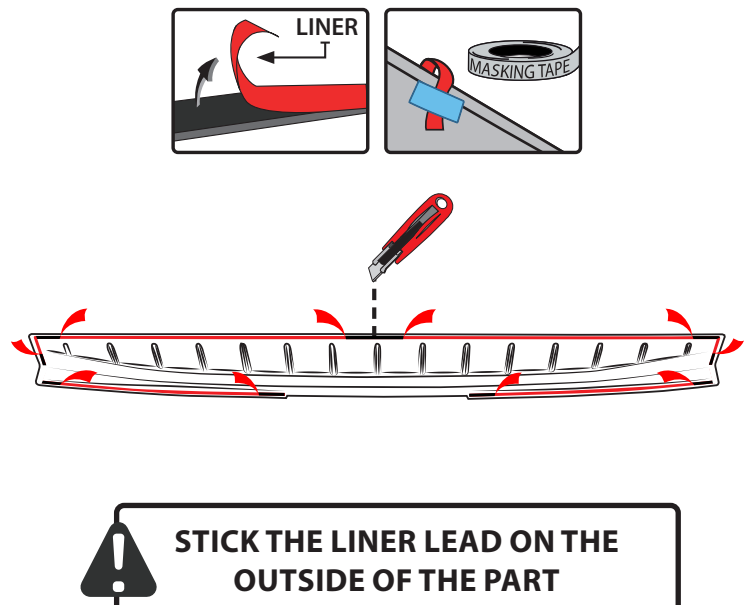
4 REMOVE THE PART



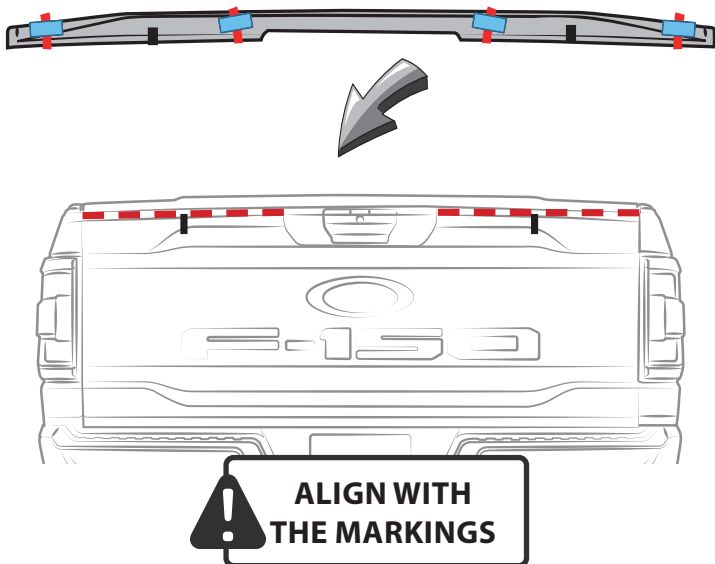
5 ADHESION PROMOTER



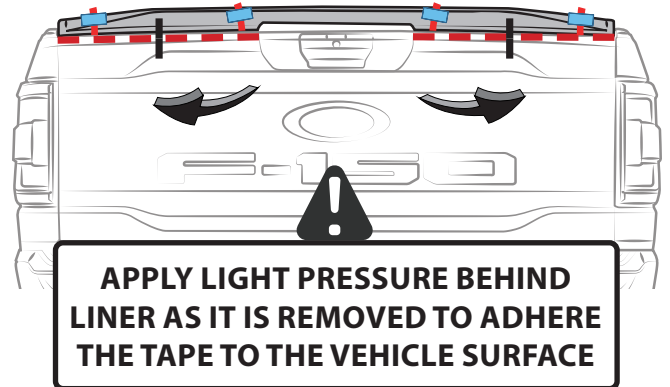
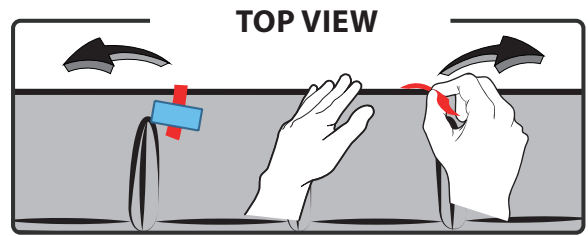
6 PEEL



7 PLACE



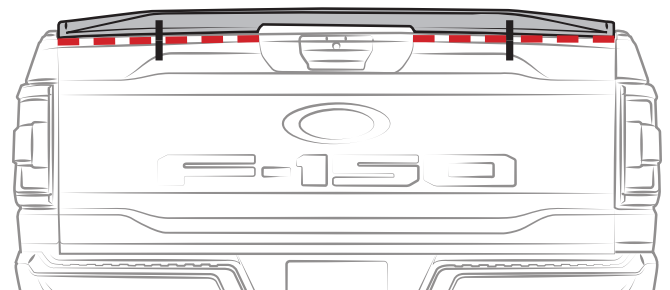
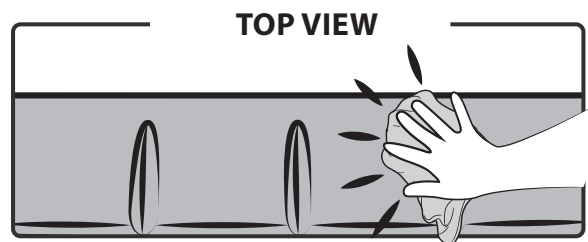
8 REMOVE LINER



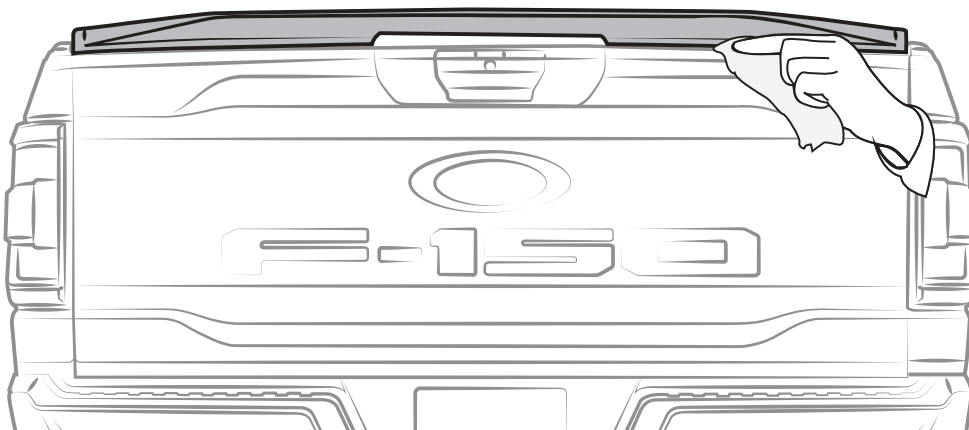
9 PRESS FIRMLY

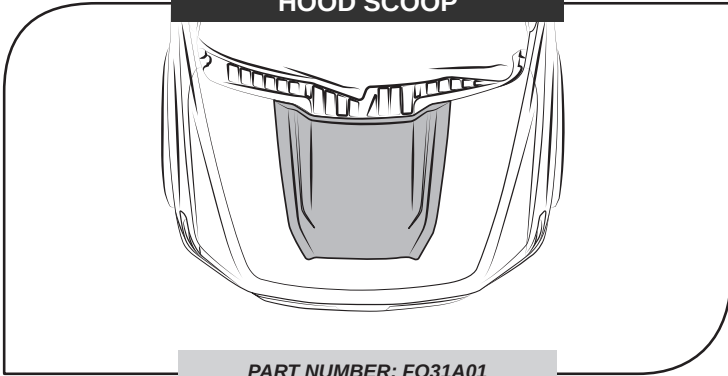


DURING APPLICATION, THE VEHICLE, ADD ON PARTS AND TAPE MUST BE AT OR ABOVE 16 °C OR 60 °F. A FULL SURFACE CONTACT BETWEEN TAPE AND SUBSTRATE IS IMPORTANT FOR GOOD ADHESION PERFORMANCE. CONTACT IS ACHIEVED BY APPLYING PRESSURE. IN PRACTICE, A PRESSURE BETWEEN 40 AND 50 N/cm² IS USUALLY NEEDED.

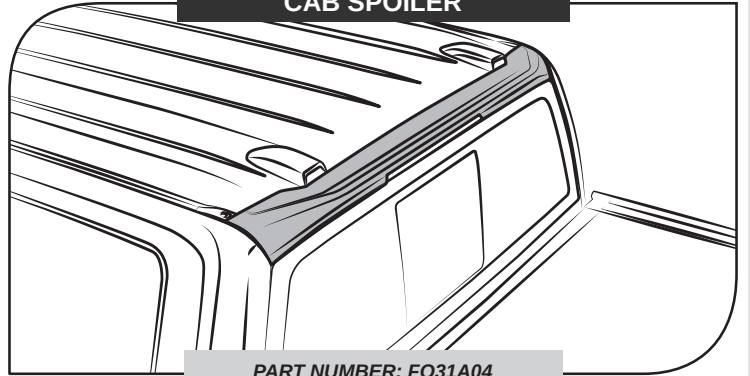


10 CLEAN OFF GREASE PENCIL MARK



BODY KIT OFF ROAD**HOOD SCOOP**

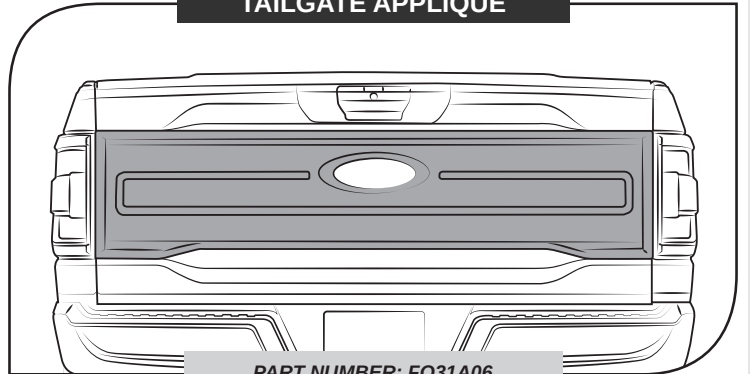
PART NUMBER: FO31A01

CAB SPOILER

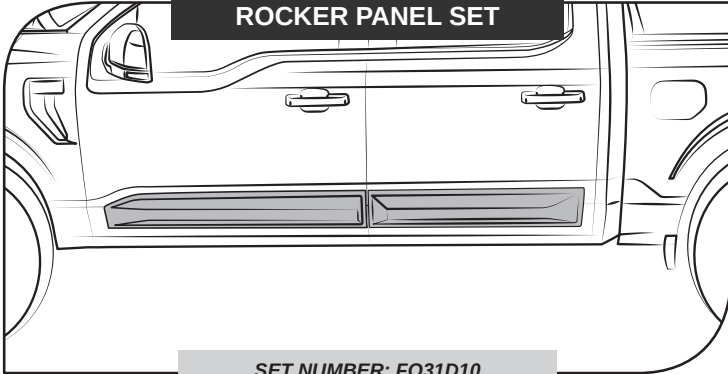
PART NUMBER: FO31A04

TAILGATE SPOILER

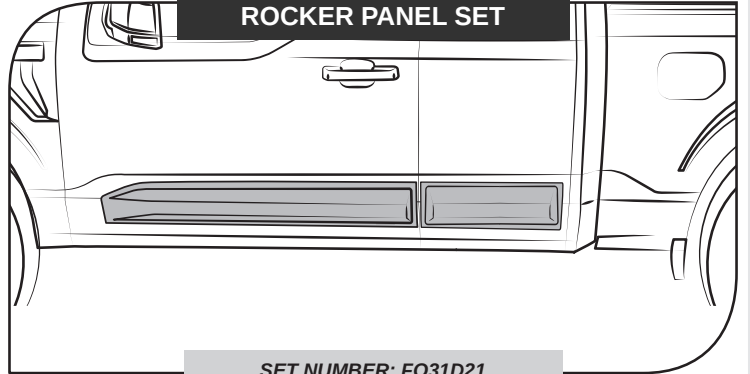
PART NUMBER: FO31A05

TAILGATE APPLIQUE

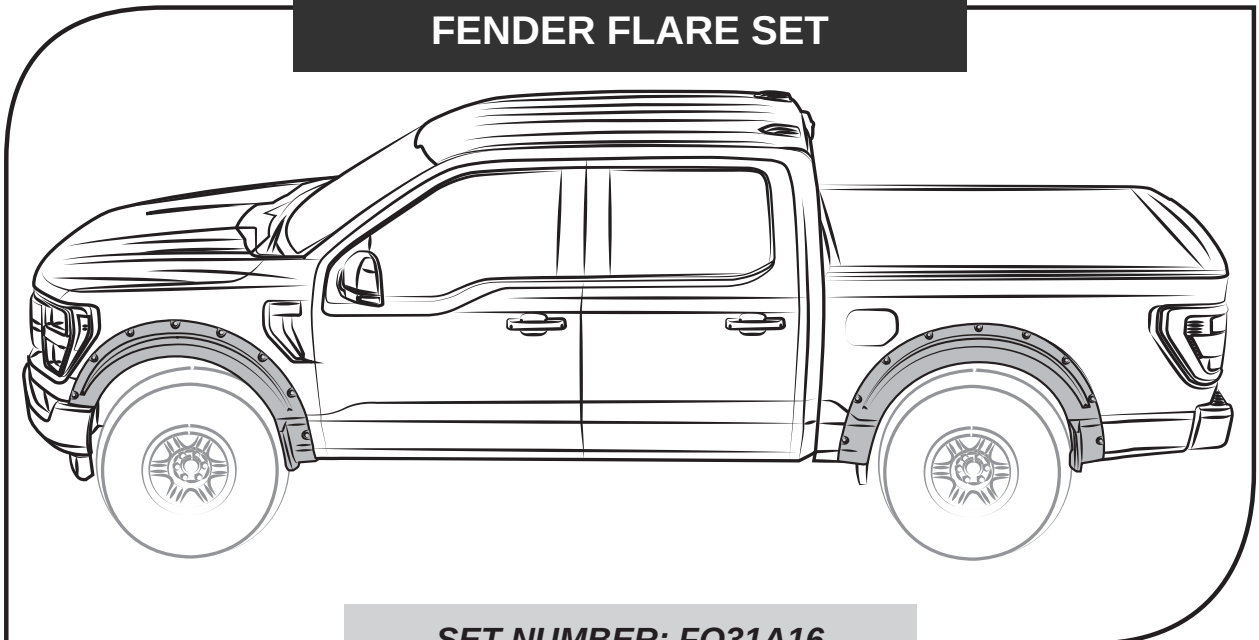
PART NUMBER: FO31A06

**CREW CAB DOOR
ROCKER PANEL SET**

SET NUMBER: FO31D10

**SUPER CAB DOOR
ROCKER PANEL SET**

SET NUMBER: FO31D21

**AIR DESIGN SUPER BOLTS
FENDER FLARE SET**

SET NUMBER: FO31A16