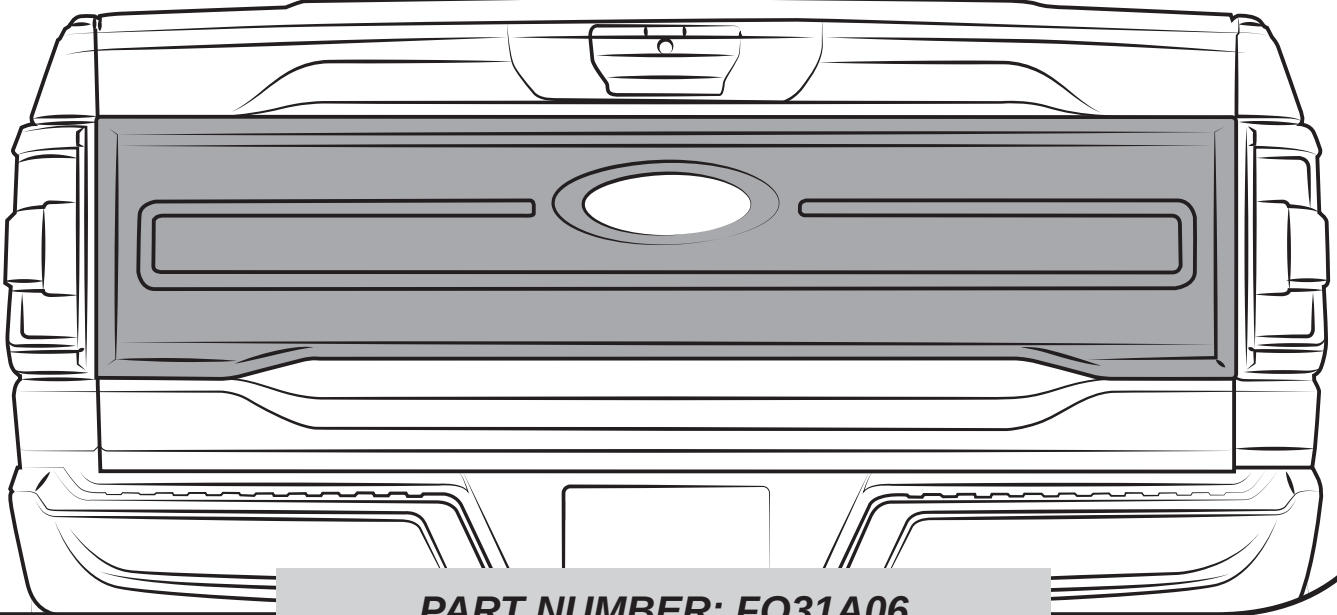


TAILGATE APPLIQUE

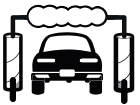
INSTALLATION MANUAL

! READ THIS MANUAL CAREFULLY



PART NUMBER: FO31A06

BEFORE INSTALLING



WASH & CLEAN PROPERLY



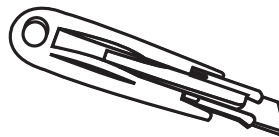
WE RECOMMEND 2 PERSONS FOR INSTALLATION

AFTER INSTALLING



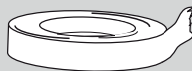

DO NOT WASH IN 48 HRS

TOOLS



CHECK LIST

***ALREADY INSTALLED ON THE PART**

ITEM	DESCRIPTION	DRAWING	AMOUNT
A	*VHB TAPE		N/A
B	ADHESION PROMOTER		1 PC

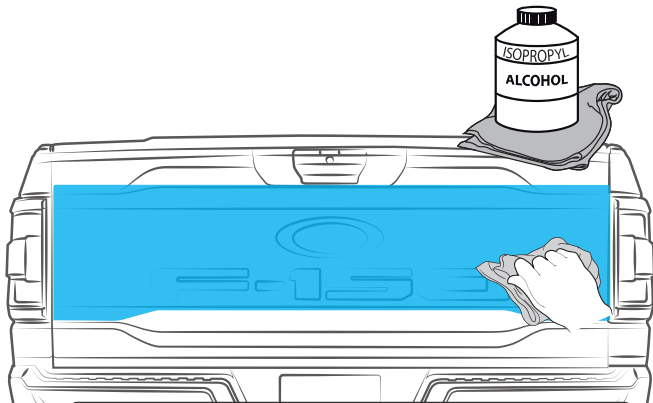
TAILGATE APPLIQUE

PART NUMBER: FO31A06



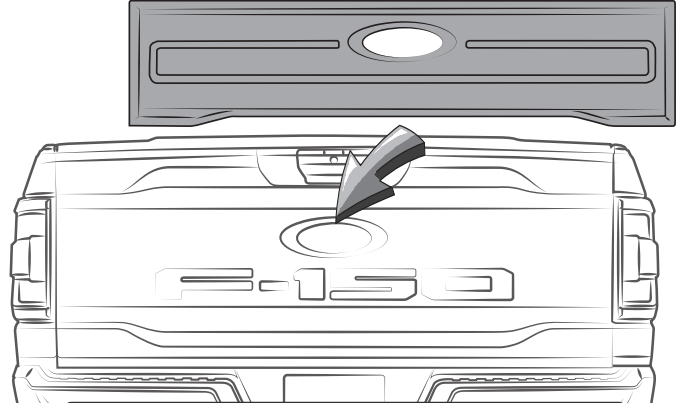
THE IDEAL TEMPERATURE RANGE OF THE PART AND THE VEHICLE WHEN INSTALLING MUST BE 16°C (60°F) TO 40°C (104°F), THIS GUARANTEES A CORRECT ASSEMBLY.

1 CLEAN



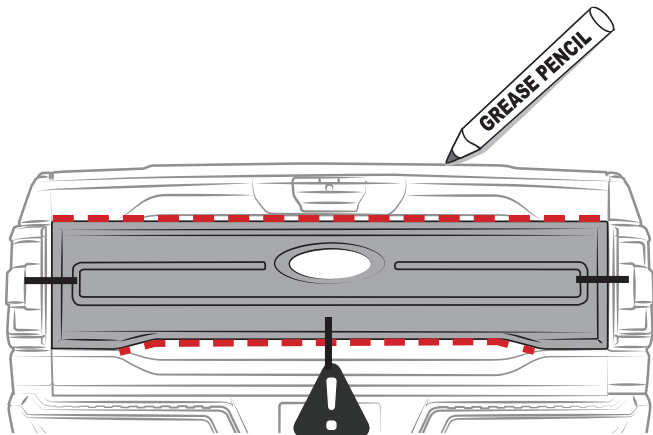
REMOVE ANY RINSE AID OR GLOSS ENHANCERS RESIDUE

2 TEST FIT THE PART



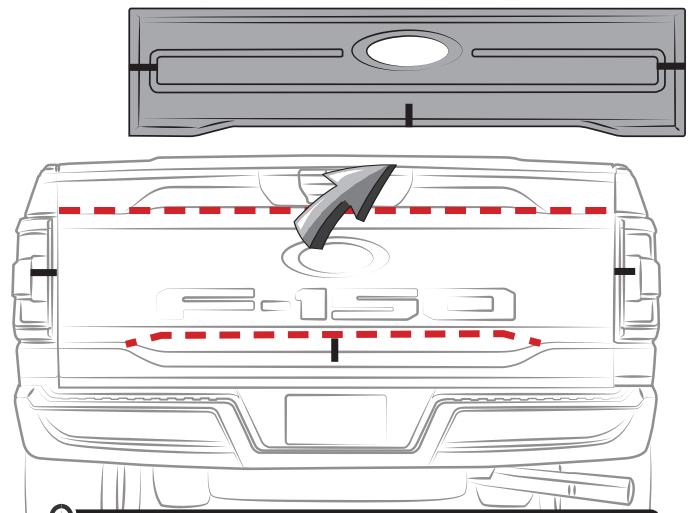
ALIGN AND CENTER WITH OEM EMBLEM

3 MARK



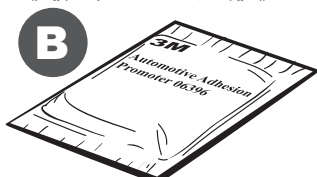
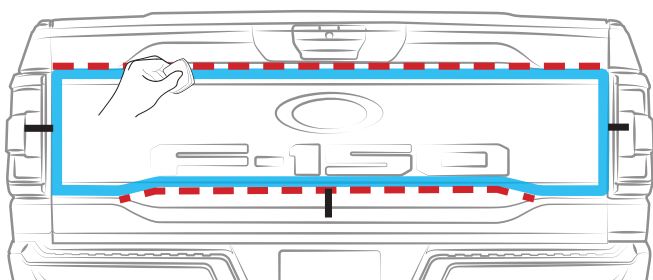
DRAW CENTER HASH MARK WITH GREASE PENCIL ON APPLIQUE AND SHEET METAL. THIS WILL ENSURE FENDER FLARE WILL BE CENTERED TO GREASE PENCIL OUTLINE.

4 REMOVE THE PART

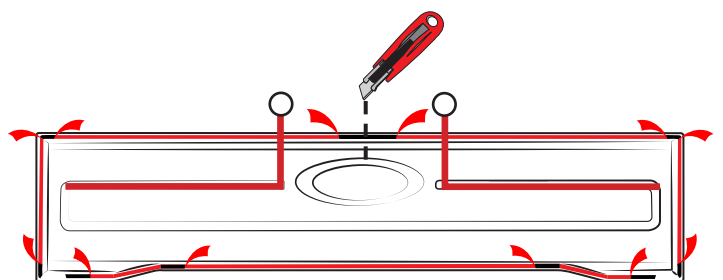
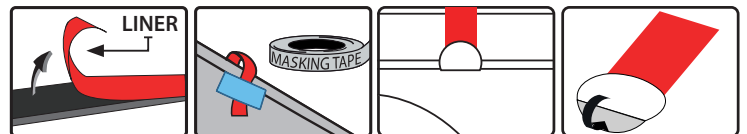


WARM SURFACES WITH HEAT GUN IF SURFACE TEMPERATURE IS TOO COLD

5 ADHESION PROMOTER

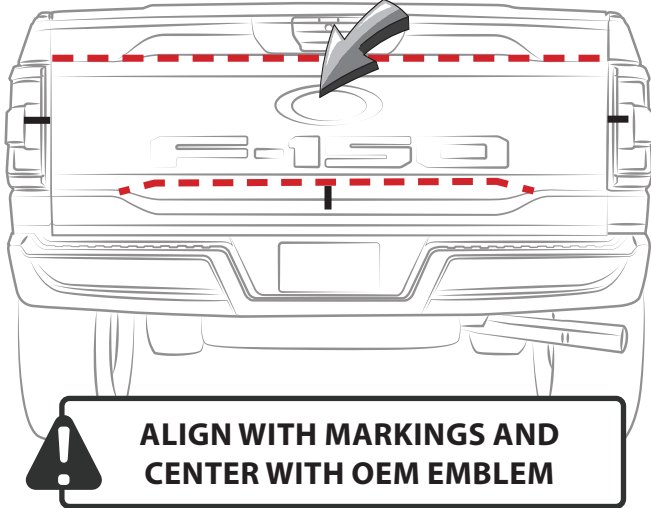
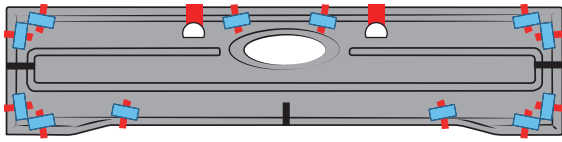


6 PEEL



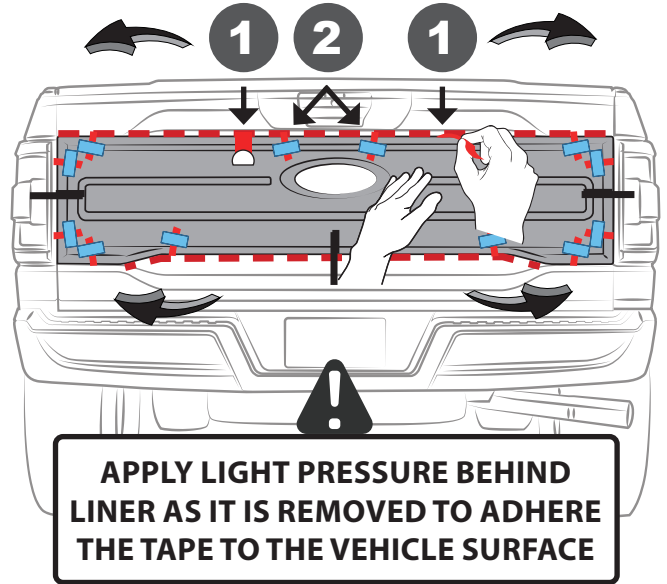
STICK THE LINER LEAD ON THE OUTSIDE OF THE PART

7 PLACE



**ALIGN WITH MARKINGS AND
CENTER WITH OEM EMBLEM**

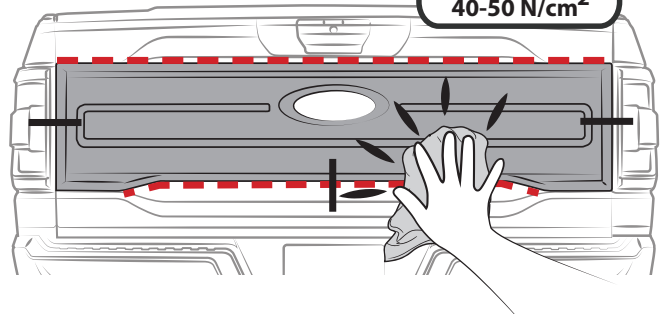
8 REMOVE LINER



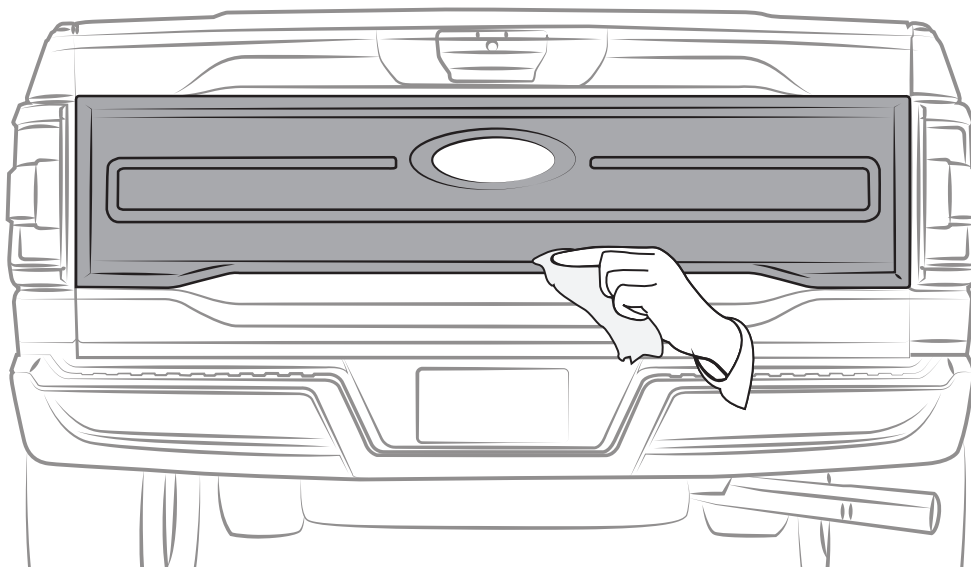
**APPLY LIGHT PRESSURE BEHIND
LINER AS IT IS REMOVED TO ADHERE
THE TAPE TO THE VEHICLE SURFACE**

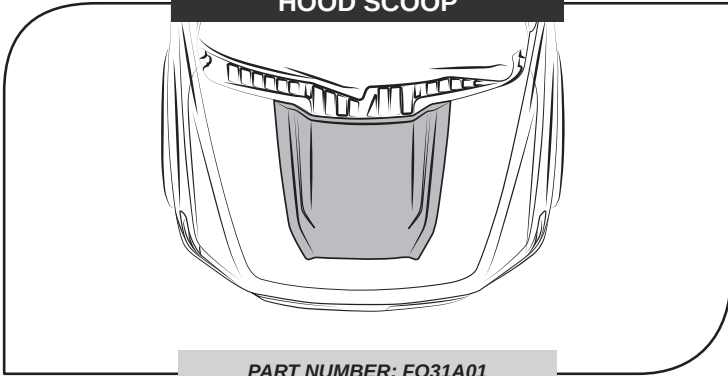
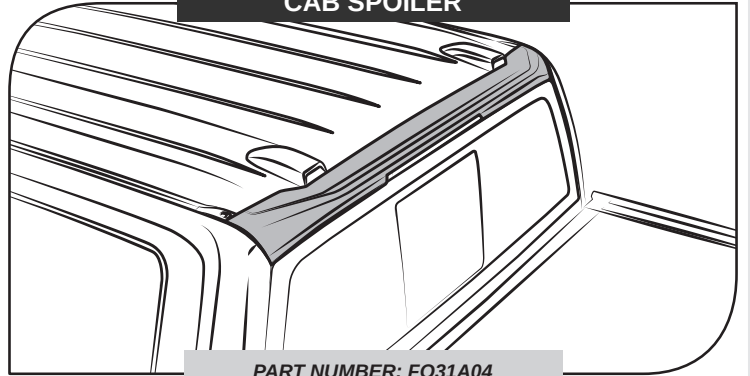
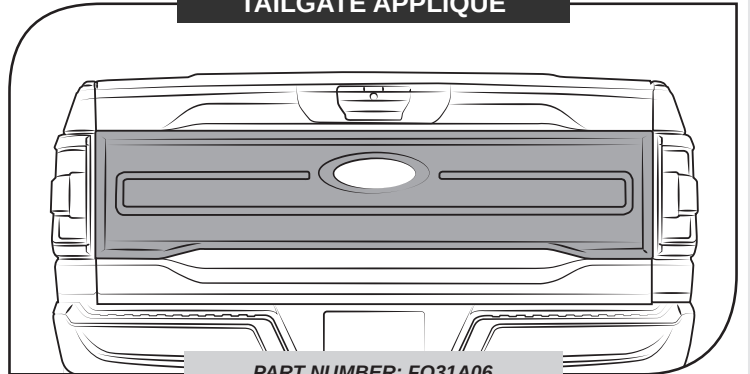
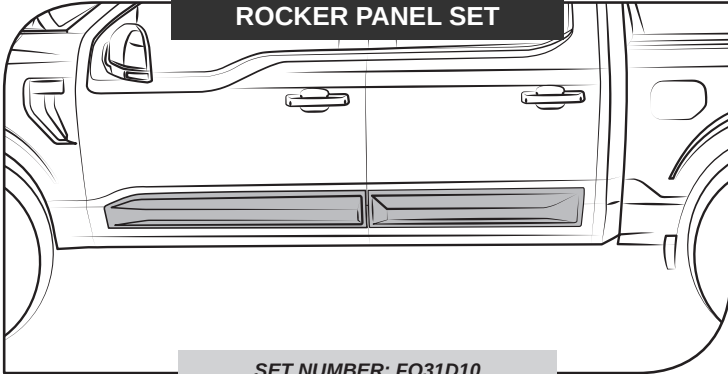
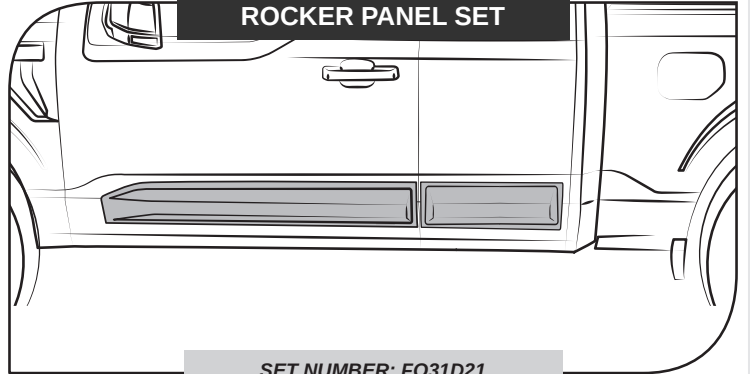
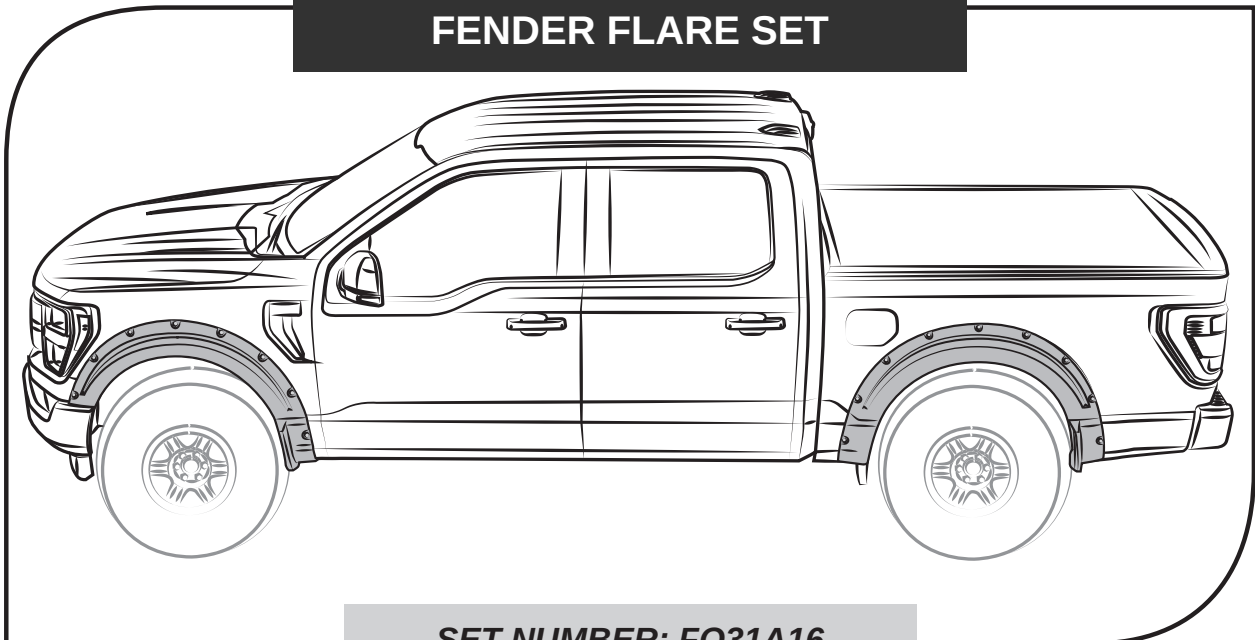
9 PRESS FIRMLY

**DURING APPLICATION, THE VEHICLE, ADD ON PARTS
AND TAPE MUST BE AT OR ABOVE 16 °C OR 60 °F.
A FULL SURFACE CONTACT BETWEEN TAPE AND
SUBSTRATE IS IMPORTANT FOR GOOD ADHESION
PERFORMANCE.
CONTACT IS ACHIEVED BY APPLYING PRESSURE. IN
PRACTICE, A PRESSURE BETWEEN 40 AND 50 N/cm²
IS USUALLY NEEDED.**



10 CLEAN OFF GREASE PENCIL MARK



BODY KIT OFF ROAD**HOOD SCOOP****PART NUMBER: FO31A01****CAB SPOILER****PART NUMBER: FO31A04****TAILGATE SPOILER****PART NUMBER: FO31A05****TAILGATE APPLIQUE****PART NUMBER: FO31A06****CREW CAB DOOR
ROCKER PANEL SET****SET NUMBER: FO31D10****SUPER CAB DOOR
ROCKER PANEL SET****SET NUMBER: FO31D21****AIR DESIGN SUPER BOLTS
FENDER FLARE SET****SET NUMBER: FO31A16**