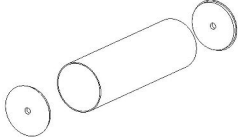
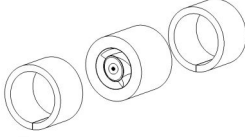
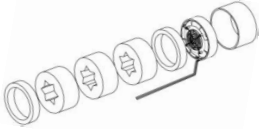


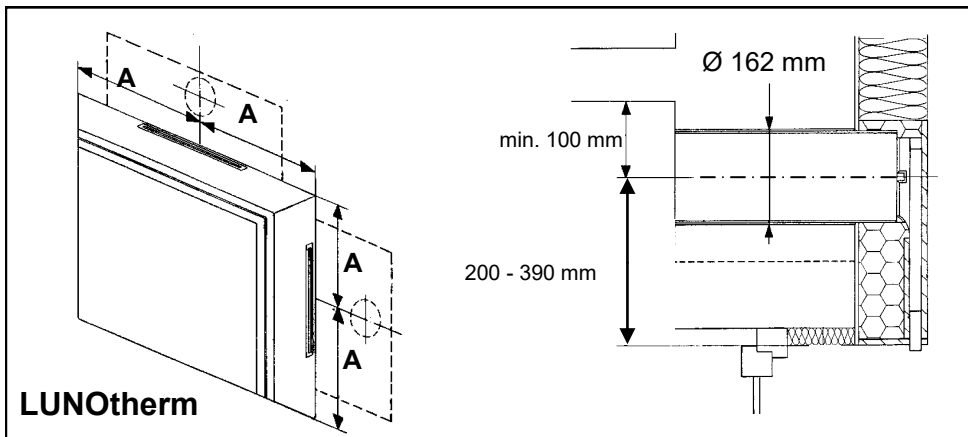
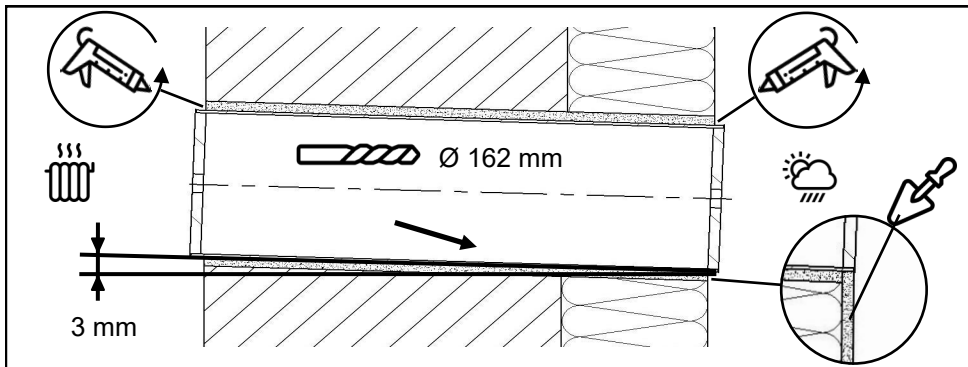
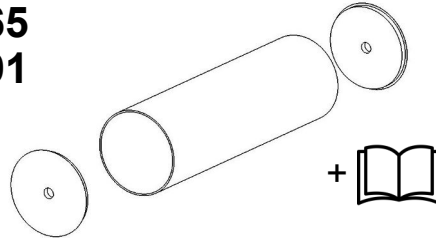
**EN Installation Manual  
Exhaust air fans  
Type AB 30/60 and  
Type RA 15-60**

- Please pass on to user -

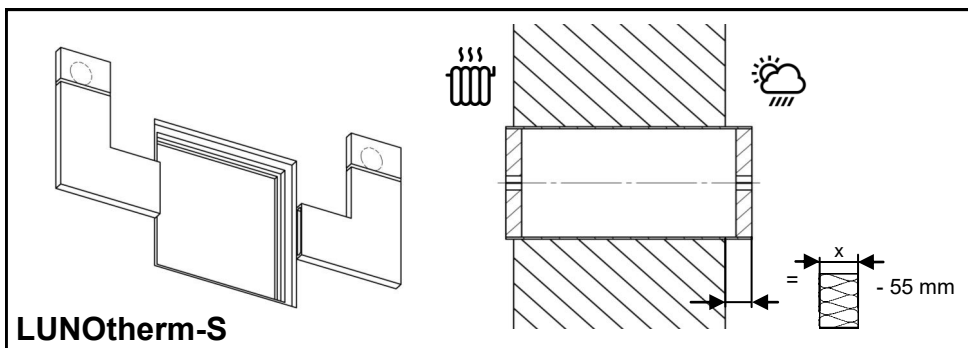
Content			
9/R 160-500 9/R 160-700	036765 039891		3
AB 30/60	039995		4
RA 15-60	039996		6
Hinweise Notes			8 9



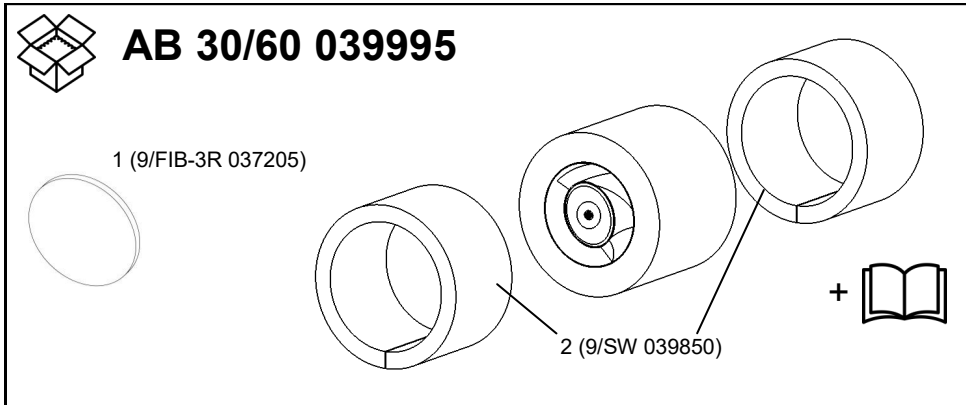
**9/R 160-500 036765**  
**9/R 160-700 039891**



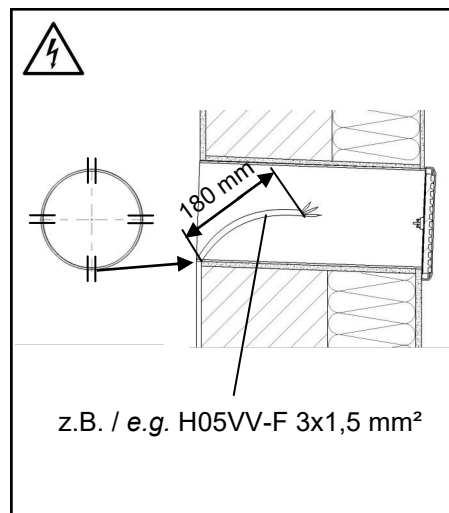
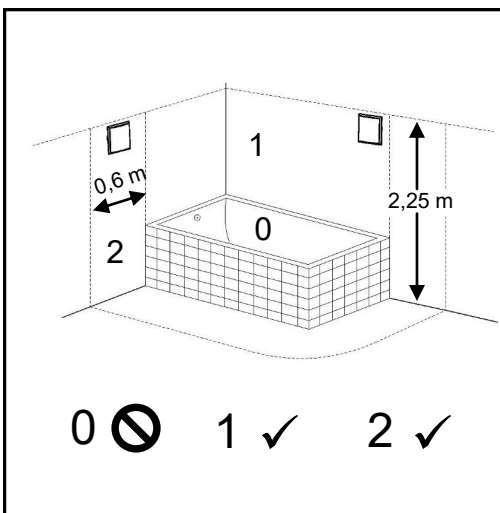
**LUNOtherm**

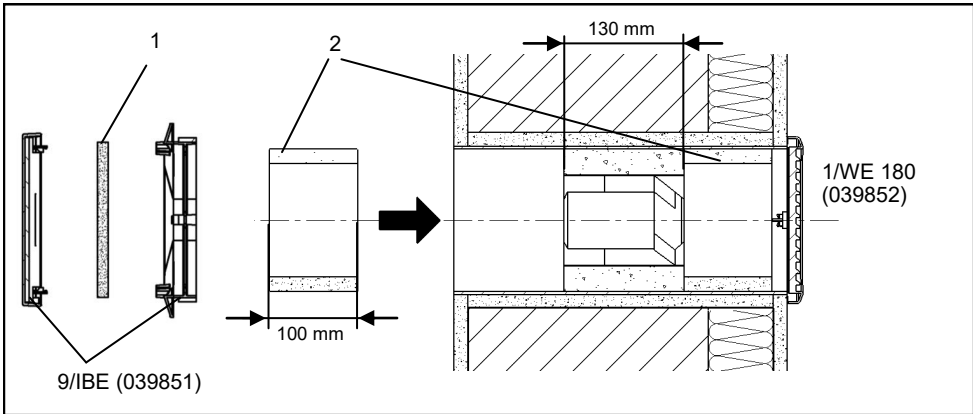
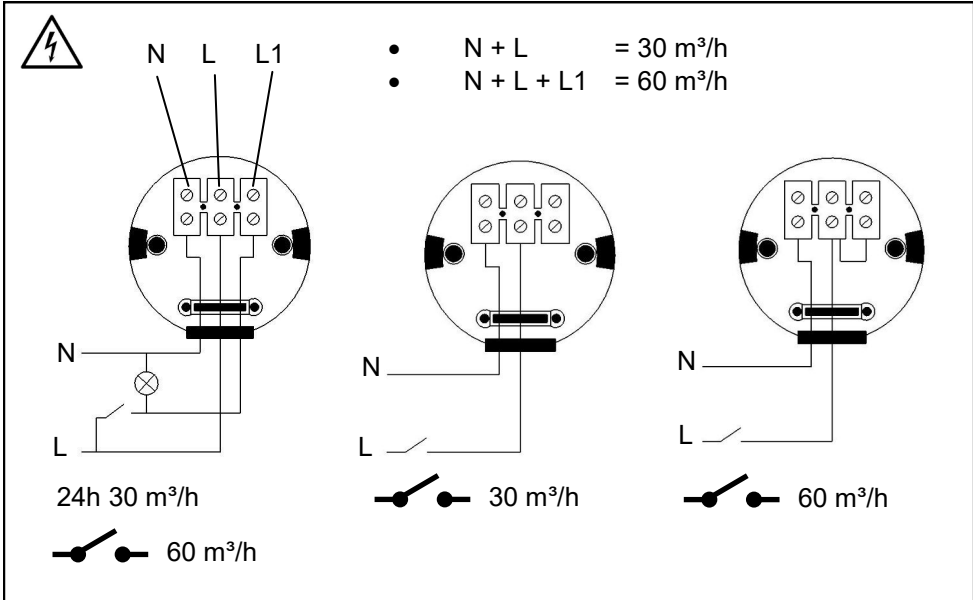


**LUNOtherm-S**



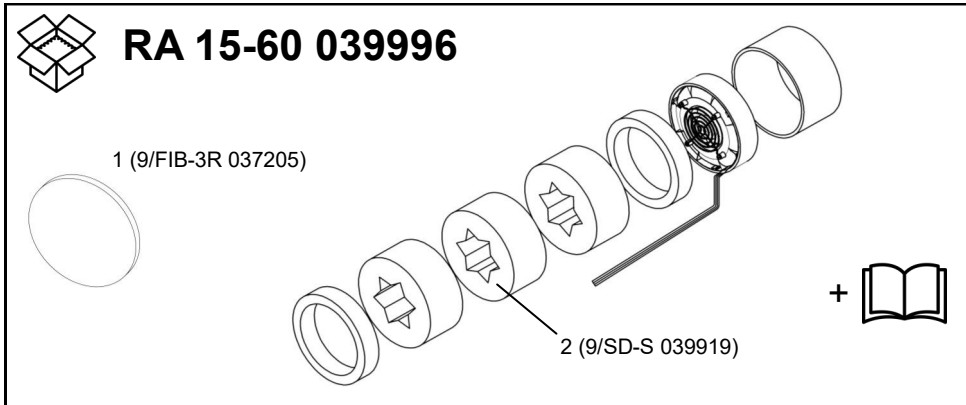
Power supply	100-240 V AC 50/60 Hz
Volume flow	30 m³/h / 60 m³/h
Power consumption	1,6 W / 5 W
Sound power level	36 dB(A) / 52 dB(A)
Sound pressure level 1 m	28 dB(A) / 44 dB(A)
Sound pressure level 3 m	19 dB(A)
Protection class	IP44
Protection type	II
Minimum wall thickness	160 mm
Diameter	154 mm



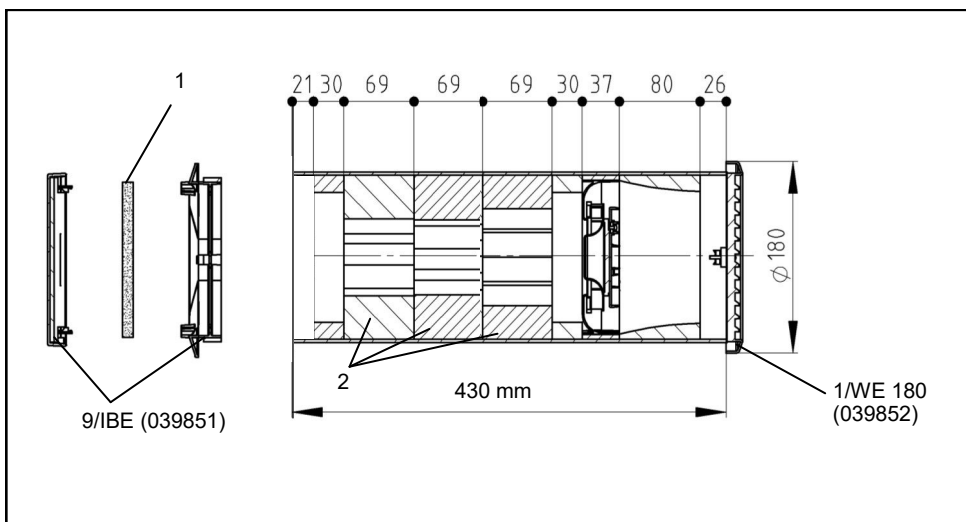


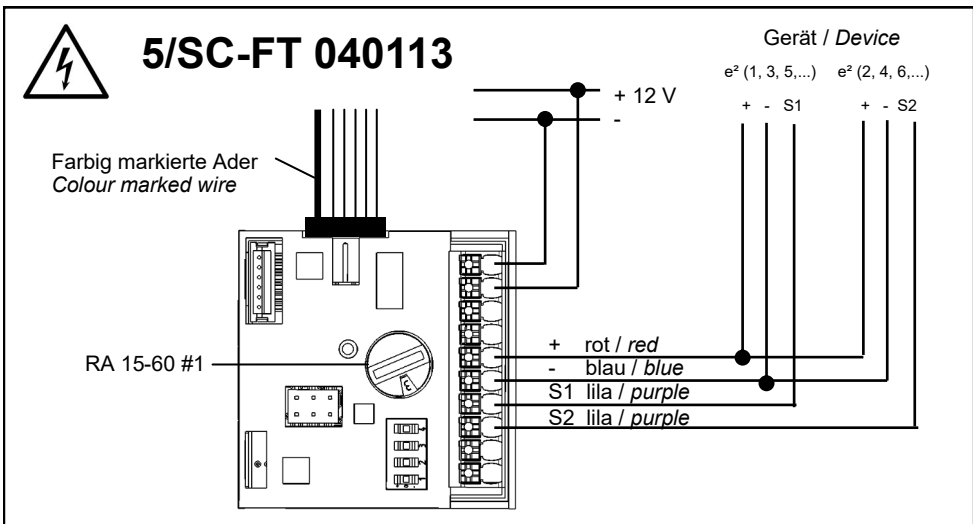
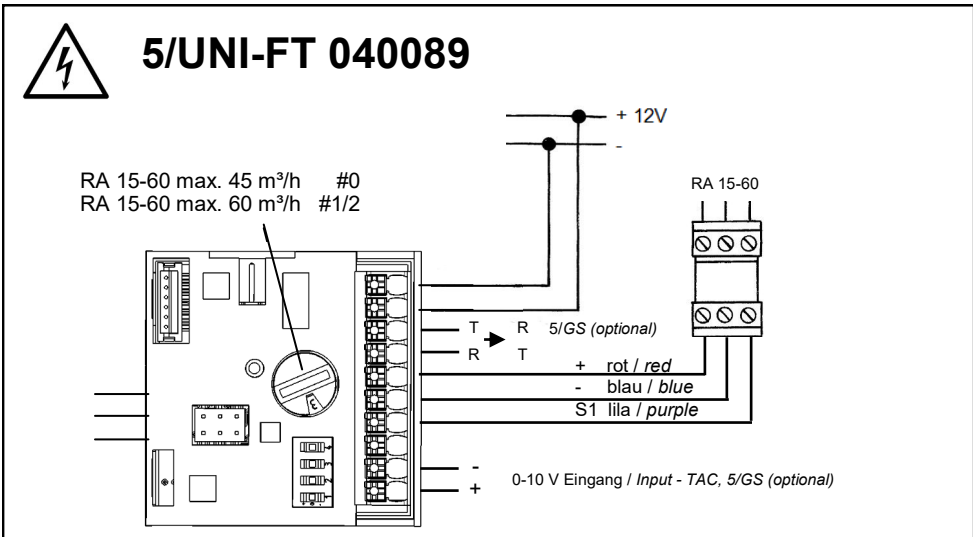
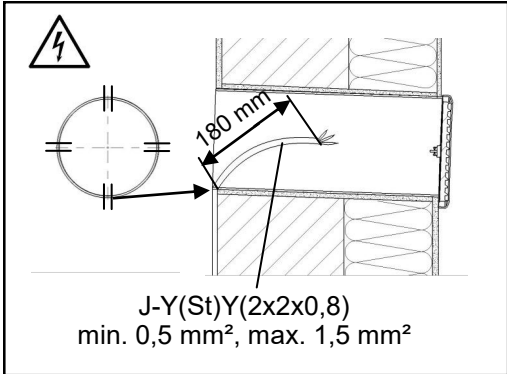
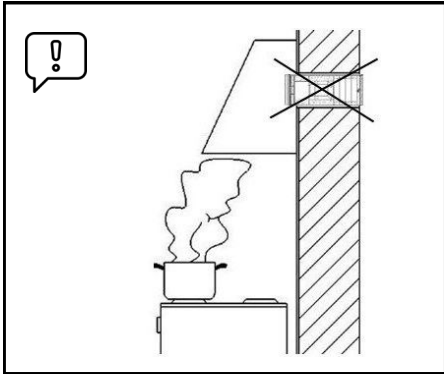
X mm

X	AB 30/60 039995	9/SW 039850
160	1	-
260	1	-
360	1	-
460	1	+1
560	1	+1



<i>Device voltage</i>	12 V DC SELV, max. 12,6 V
<i>Flow rate</i>	15 - 60 m³/h
<i>Power consumption</i>	0,6 W - 7,2 W
<i>Sound power level</i>	24 - 45 dB(A)
<i>Sound pressure level 1 m</i>	16 - 37 dB(A)
<i>Sound pressure level 3 m</i>	6 - 27 dB(A)
<i>Protection class</i>	IP20
<i>Degree of protection</i>	II
<i>Minimum wall thickness</i>	180 mm
<i>Diameter</i>	154 mm





## About this manual

EN

- Before installing, read these instructions carefully and completely! You must observe the general safety instructions and the warning symbols with notes in the text.
- These instructions are to be passed on to the user after installation (tenant, owner, property management etc.).

### Symbols in this manual:



This symbol warns you of an injury risk



This symbol warns you of an injury risk from electricity

## Safety Instructions



**Caution!** Installation and assembly work is only to be executed when power supply has been isolated! The ventilation unit is insulated pursuant to Protection Class II, protective earth connection is not required!



**Attention!** The electrical connection must be installed by authorized skilled staff pursuant to the valid VDE 0100!

Additional installations and electrical components in this ventilation system are not admissible!



**Attention!** This unit must not be operated by children and persons (filter change/cleaning) who are not able to operate it safely on account of their physical, sensorical or mental capacity or due to their inexperience or lack of know-how.



In the case of fans for exhaust air operation, a functioning back-flow of outside air must always be ensured.



**Caution!** Any assembly work to the ventilation device may only be carried out after disconnecting all poles of the supply voltage!

Make sure that the supply voltage of all connection lines is voltage-free (dead)! (Separation from the power supply with a minimum contact opening of 3 mm, e.g. electric fuse separating all poles).

Each electric circuit of this ventilation system must be fitted with a residual current protection (e.g. FI switch/RCCB)!

## Hints

- Installation in section 1 in bathrooms and shower rooms is admissible pursuant to VDE 100.
- Installation of fan as extractor hood is not admissible

### Operating range:

Temperature range: -15°C to +40°C

Usable with relative humidity levels of up to 65% in the interior area (not condensing). The user is requested to switch off the unit and close the inner screen if the application limits are exceeded.

Ensure fresh air supply by window ventilation.

## Disposal



The packaging must be sorted before disposal. If you wish to dispose of the ventilation device, observe the currently applicable regulations. Pursuant to the German Electrical and Electronic Equipment Act (ElektroG) this device can be returned to your municipal collection point free of charge.





**Notes**



**Partel Ireland**  
**Website:** [www.partel.ie](http://www.partel.ie)  
**Email:** [sales@partel.ie](mailto:sales@partel.ie)  
**Phone:** 0818333355

**Partel UK**  
**Website:** [www.partel.co.uk](http://www.partel.co.uk)  
**Email:** [sales@partel.co.uk](mailto:sales@partel.co.uk)  
**Phone:** 02037401918

E420 06.21