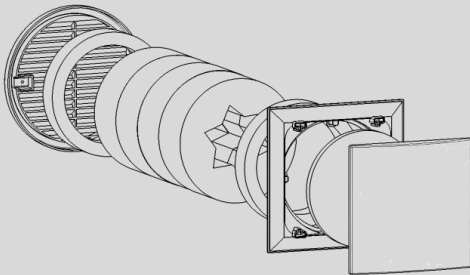


**EN Installation Manual
Outer Wall Air Vents
Type ALD, ALD-S and
ALD-SV**

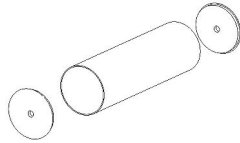
- Please pass on to user -



Content

**9/R 160-500
9/R 160-700**

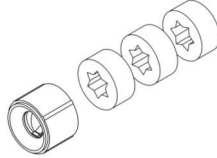
**036765
039891**



3

ALD

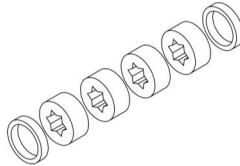
039997



4

ALD-SV

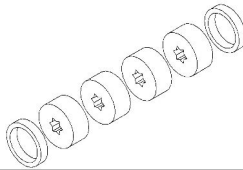
040148



5

ALD-S

041133



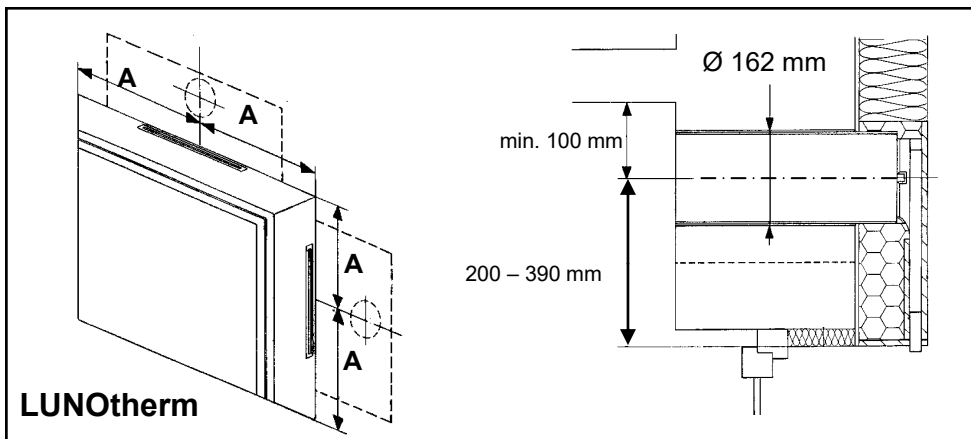
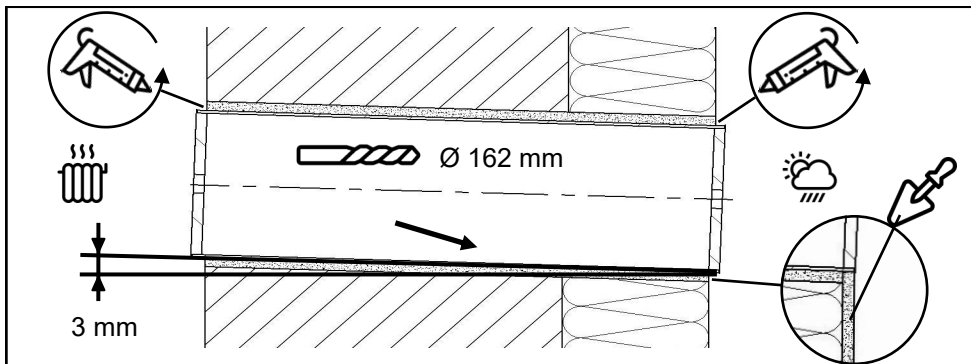
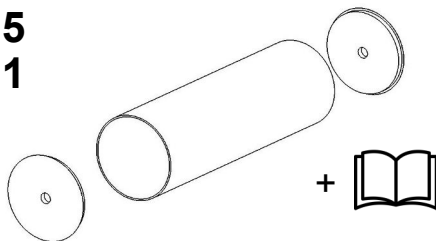
6

Notes

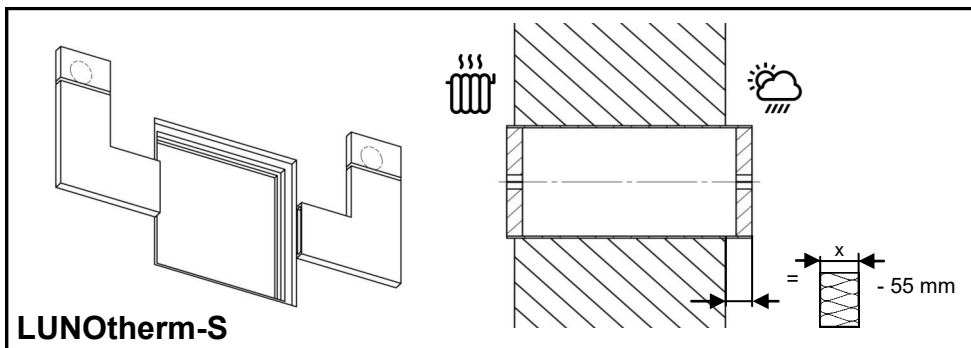
7



9/R 160-500 036765
9/R 160-700 039891



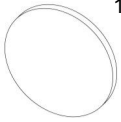
LUNOthem



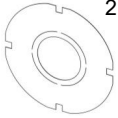
LUNOthem-S



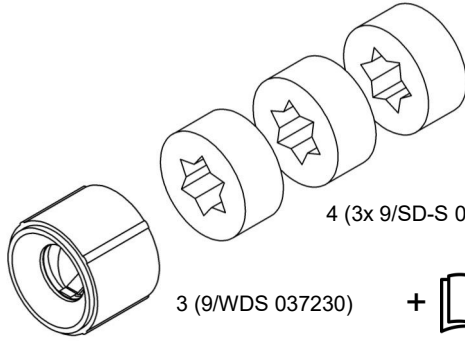
ALD 039997



1 (9/FIB-2R 037205)

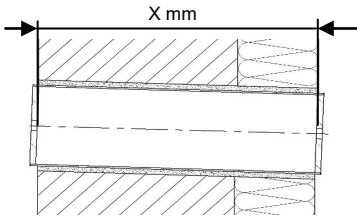


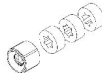

2 (9/VSB 039920)

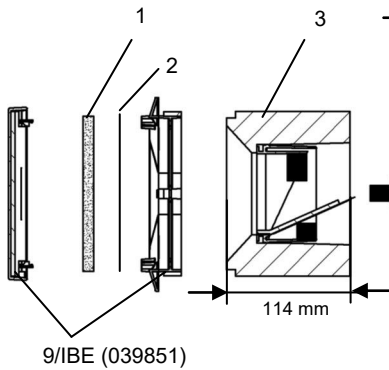


3 (9/WDS 037230)

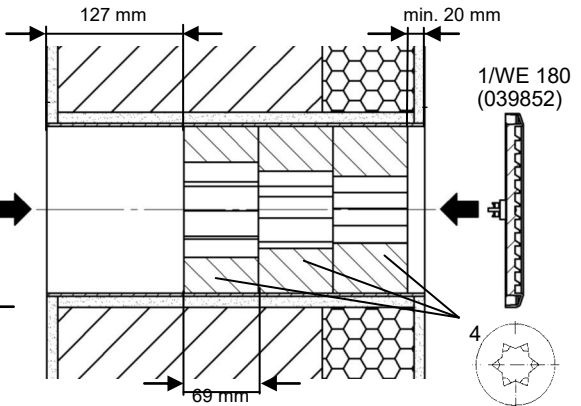
4 (3x 9/SD-S 039919)



		
X	ALD 039997	9/SD-S 039919
360	1	-
430	1	+1
500	1	+2



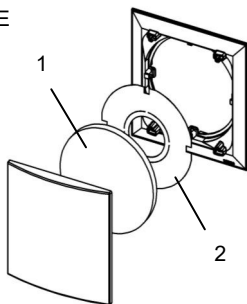
9/IBE (039851)



1/WE 180 (039852)

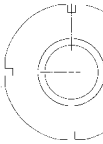

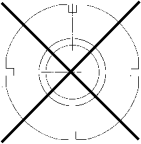


9/IBE



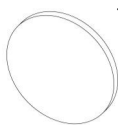
1

2

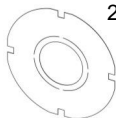
			
4 Pa	10 m ³ /h	13 m ³ /h	18 m ³ /h
8 Pa	15 m ³ /h	20 m ³ /h	25 m ³ /h
10 Pa	18 m ³ /h	23 m ³ /h	27 m ³ /h
20 Pa	25 m ³ /h	32 m ³ /h	40 m ³ /h



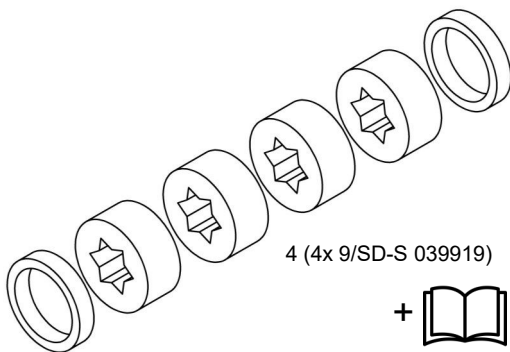
ALD-SV 040148



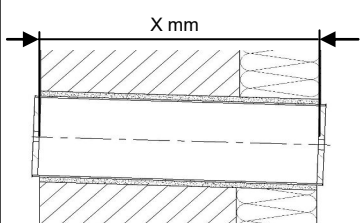
1 (9/FIB-2R 037205)



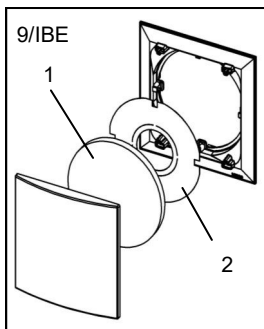
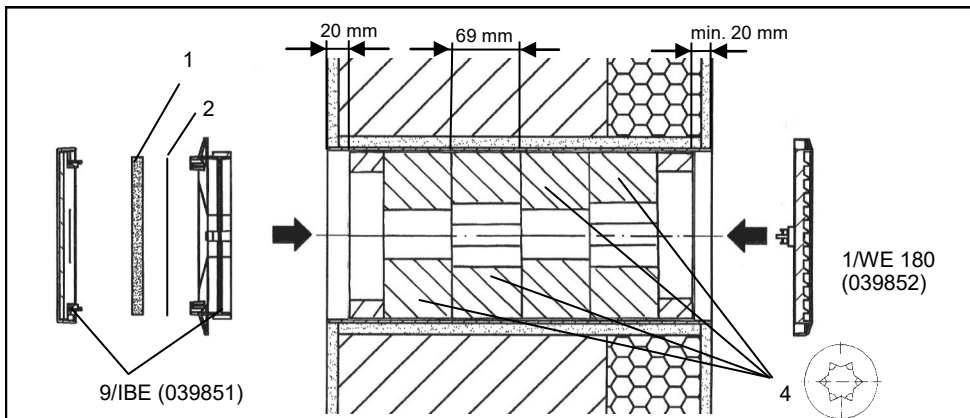
2 (9/VSB 039920)



4 (4x 9/SD-S 039919)



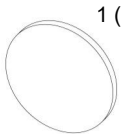
X	ALD-SV 040148	9/SD-S 039919
360	1	-
430	1	+1
500	1	+2



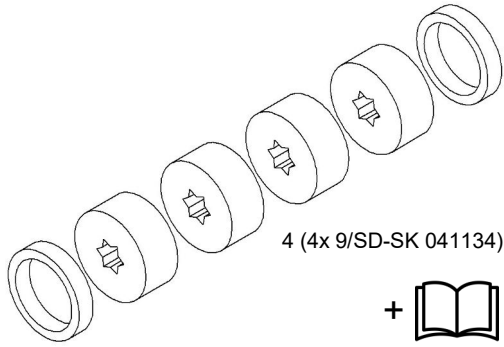
4 Pa	10 m ³ /h	13 m ³ /h	18 m ³ /h	20 m ³ /h
8 Pa	15 m ³ /h	20 m ³ /h	25 m ³ /h	30 m ³ /h
10 Pa	18 m ³ /h	23 m ³ /h	27 m ³ /h	35 m ³ /h
20 Pa	25 m ³ /h	32 m ³ /h	40 m ³ /h	50 m ³ /h



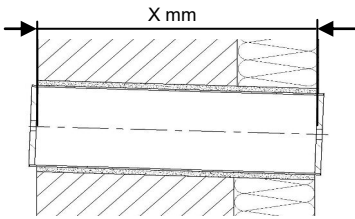
ALD-S 041133



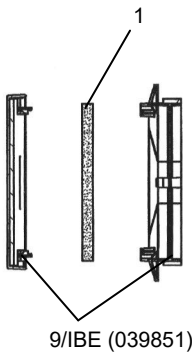
1 (9/FIB-2R 037205)



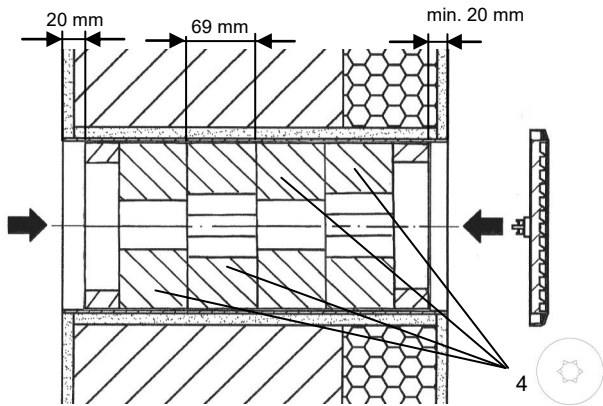
4 (4x 9/SD-SK 041134)



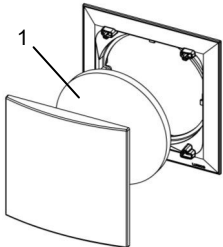
X	ALD-S 041133	9/SD-SK 041134
360	1	-
430	1	+1
500	1	+2



9/IBE (039851)



9/IBE



4 Pa	10 m³/h
8 Pa	15 m³/h
10 Pa	18 m³/h
20 Pa	25 m³/h

- Read this manual carefully and completely before assembly! Always observe the general safety instructions and the safety symbols with information in the text.
- Hand out this manual to the user (tenants, proprietors, property management etc.) after completing assembly.

Disposal



The packaging must be sorted before disposal. If you wish to dispose of the device, observe the currently applicable regulations. The municipal office in charge will provide information.

Installation position

Do not position the device above sensitive furniture, surfaces or pictures; the wall beneath the device should remain unused.

Do not position the device above or near room thermostats.

Note regarding LUNOS outer covers

The solid plastic outer covers provided by LUNOS ensure high resistance to driving rain and can be used in Stress Group III pursuant to DIN 4108-3 (2012-04). Metal or metal-coated covers can be used in Stress Group I pursuant to DIN 4108-3 (2012-04).

In the case of buildings exposed to wind or the risk of strong winds and rain to the outer covers, further measures of weather protection may be required.

Filter replacement

Check the filter (1) every 3 months for contamination. Clean or replace, if required. After inserting the filter, snap the design screen into place in "open position".

The ventilation openings must not be covered or obstructed.

Note: Alternative inner screens are supplied with the corresponding instructions on filter replacement!

Additional parts and replacement parts

Sound-absorber star-shaped	Type 9/SD-S	Order No.: 039 919
Sound-absorber small star	Type 9/SD-SK	Order No.: 041 134
Airflow regulator	Type 9/VSB	Order No.: 039 920
Replacement filters, five-pack	Type 9/FIB2	Order No.: 037 192
Long-life filters		
Filter class G2, three-pack	Type 9/FIB2R	Order No.: 037 205
Long-life filters		
Filter class G 3, three-pack	Type 9/FIB3R	Order No.: 037 214
Wind pressure relief	Type 9/WDS	Order No.: 037 230