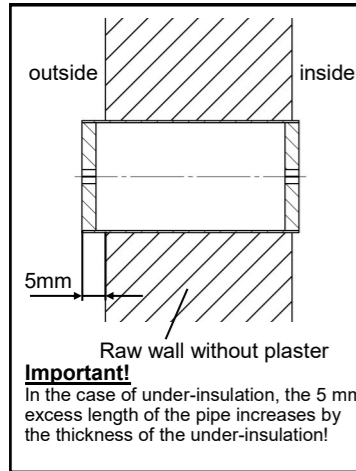
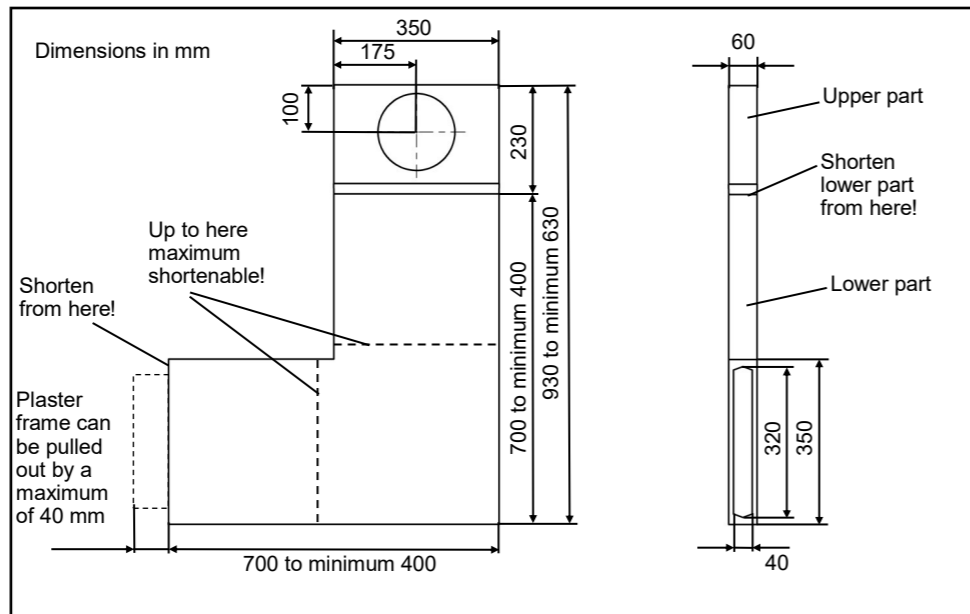


Important note:
Before installing, check the excess length of the wall-tube DA 160. If the excess length is too big, the façade element will not function properly!
Shorten the wall-tube if necessary!



Dimension drawing



Cleaning and maintenance

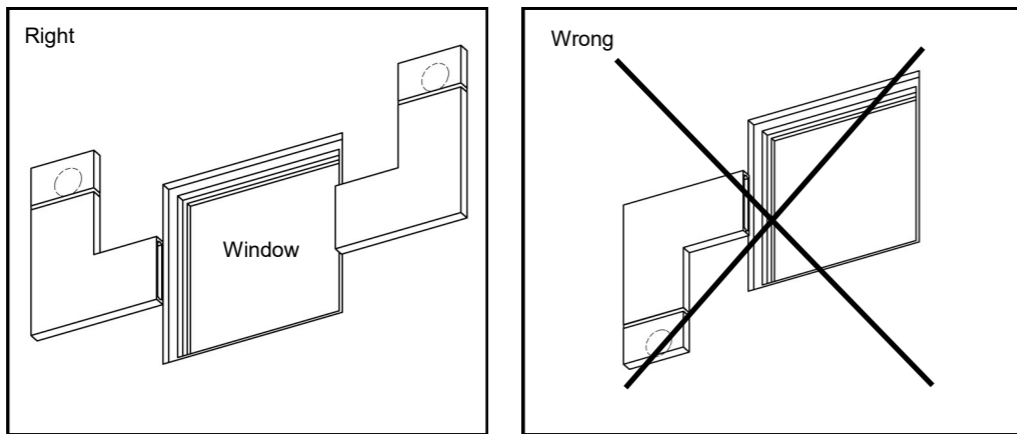
Hand over the LUNOtherm-S to the user only when it is in clean condition!
The device must be cleaned regularly! The cleaning must not be carried out by children or persons who are unable to do so due to their physical, sensory or mental abilities or inexperience.
Please observe the respective maintenance instructions for the ventilation units installed together with the LUNOtherm-S!

Condensate

In the LUNOtherm-S, condensate can occur during the heating period and flow out of the reveal opening. In winter, please make sure that there is no ice formation on the sidewalk or that no icicles form which can become a hazard for passers-by!

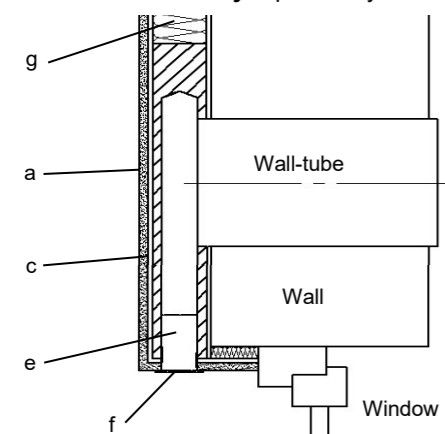
Installation examples

The LUNOtherm-S should be installed as shown next to the window. The upper part can be turned by 180 degrees when plugged onto the lower part, thus enabling mirror-inverted installation. Installation with a wall-tube at the bottom is not permitted, as there is a risk of rain water ingress. We will be pleased to inform you on request about further possible installation positions.

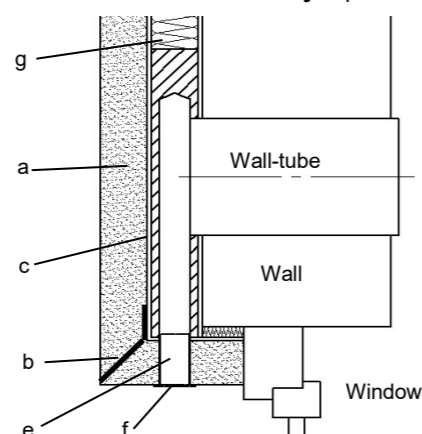


Positioning of the plaster frame (with illustration of the façade element when installed in the insulation)

Installation in thin-layer plaster systems

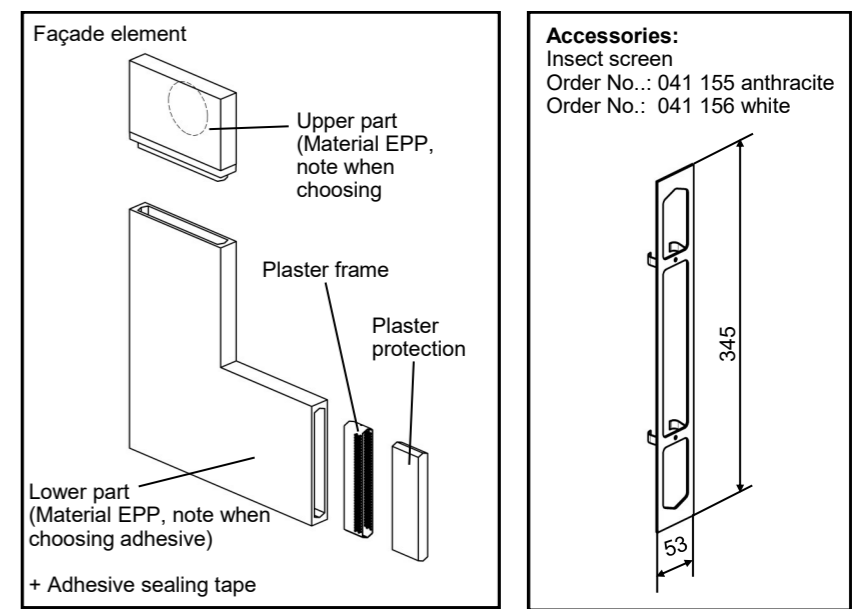


Installation in thick-layer plaster systems

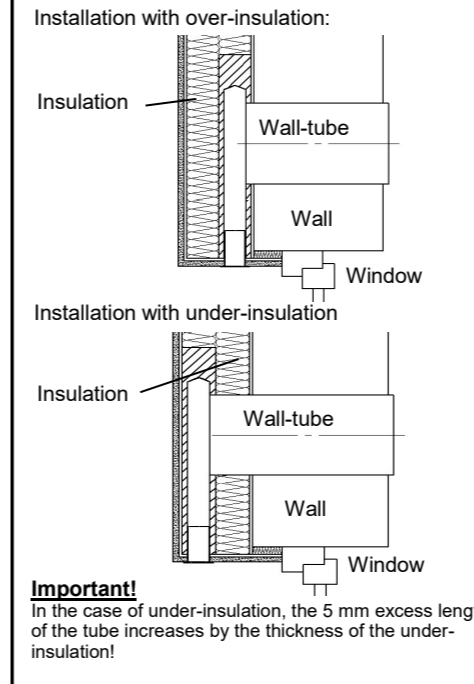


a) plaster; b) plaster end profile; c) reinforcement and reinforcement adhesive and g) insulation - of a thermal insulation composite system (ETICS) approved by the building authorities, e) plaster frame; f) insect screen

Shipping unit



Please check the delivery for completeness and mint condition!



Installation

The installation of the façade element is carried out within the respective ETICS. The installation regulations of the relevant technical approval of the ETICS used must be observed.
CARE MUST BE TAKEN TO ENSURE THAT THE SPECIFICATIONS OF THE DIBT OR THE STATE BUILDING REGULATIONS OR THE APPLICABLE BUILDING LAW ARE COMPLIED WITH. ADDITIONAL MEASURES FOR STRUCTURAL FIRE PROTECTION (FIRE BARS, ENCAPSULATION, ETC.) MAY BE NECESSARY.

THE LUNOTHERM-S CONSISTS ESSENTIALLY OF EPP, PLEASE NOTE WHEN CHOOSING ADHESIVE!

Important: Check the excess length of the wall-tube DA 160! Shorten if necessary!

