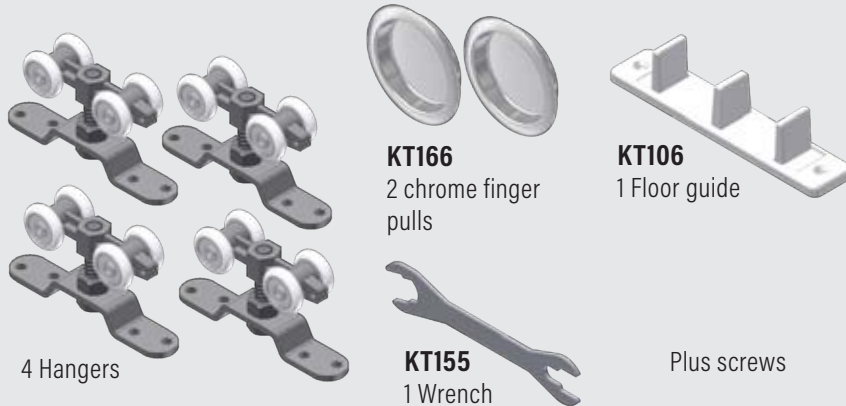


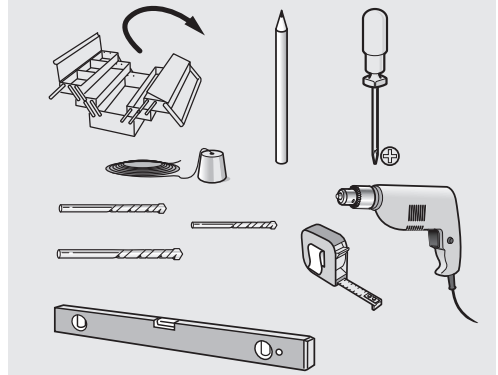
KT58KIT: max door weight: 132 lbs (60kg) = 2 hangers

KT50KIT: max door weight: 220 lbs (100kg) = 2 hangers

PARTS IN THE KIT FOR BIPASS DOOR APPLICATION

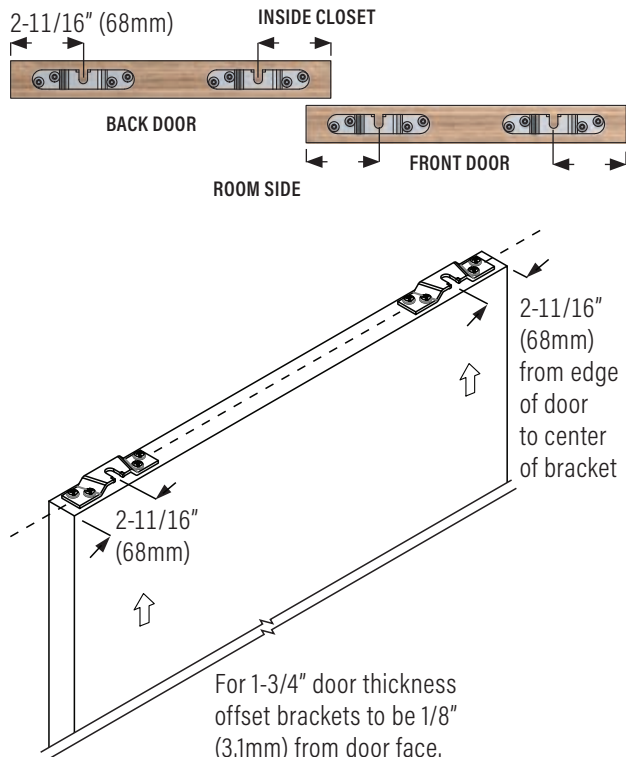


RECOMMENDED TOOLS



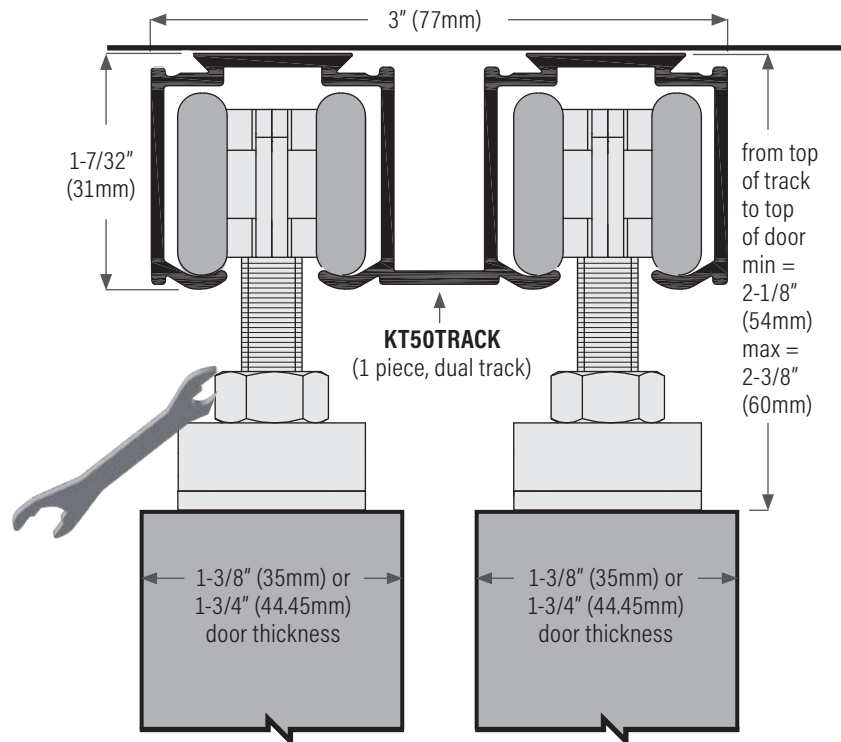
1 HANG DOOR

Mount center line of door hanger plates on center line of door as illustrated below. Insert hangers into track before installation of track. Hang doors attaching back door first and then front door.



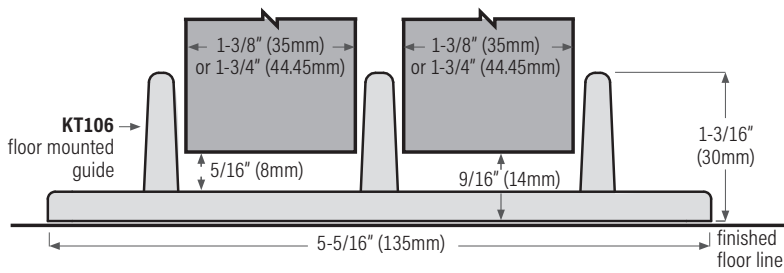
2 PLUMB DOOR

Turn adjusting bolt to raise or lower door and align door squarely with the jamb.

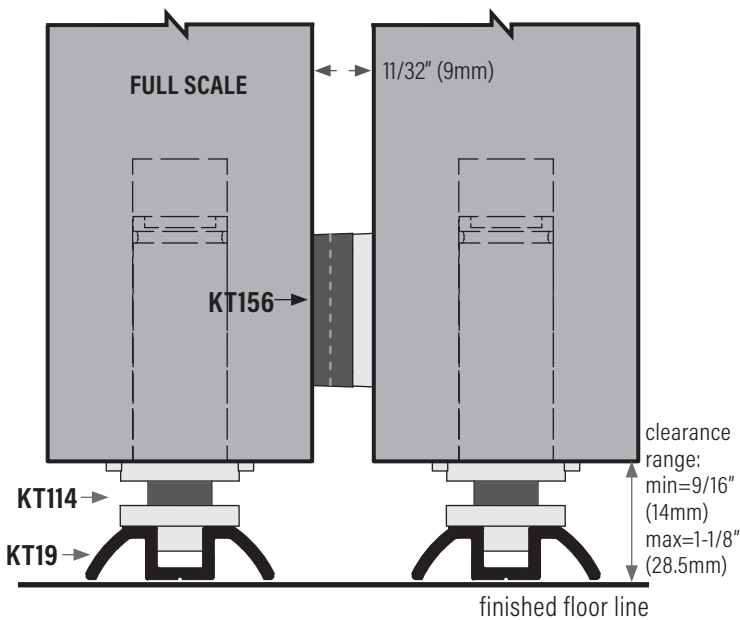


3 INSTALL FLOOR GUIDE

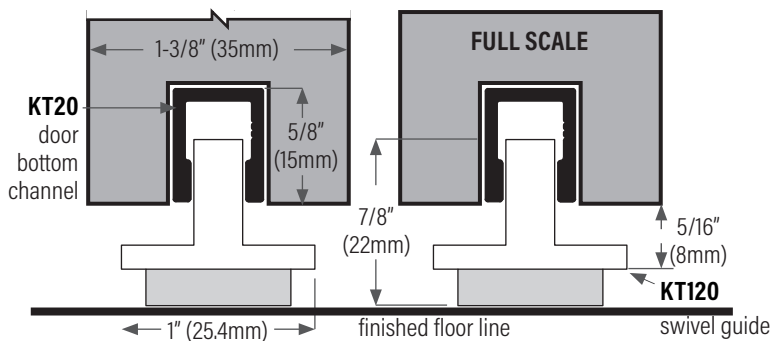
KT106 Convertible floor guide (plastic) shown with 1-3/8" (35mm) door



Optional Floor Channel



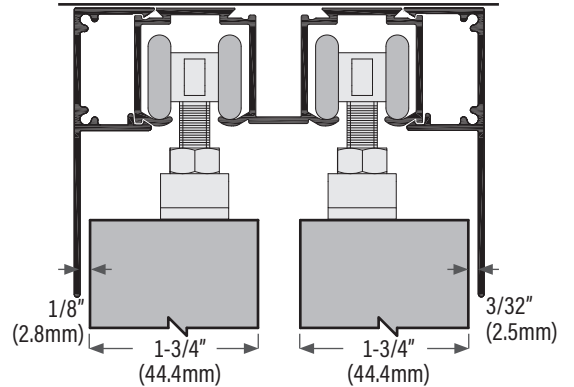
Optional Floor Guide (not included in kit)



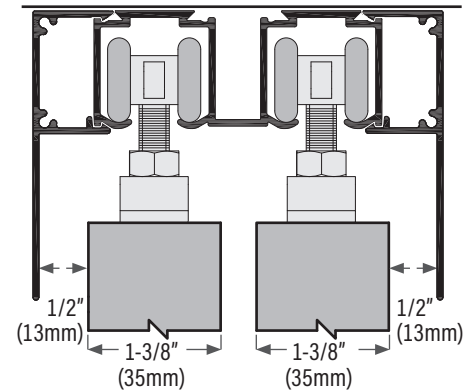
FASCIA OPTIONS

Snap-on fascia before installing track.

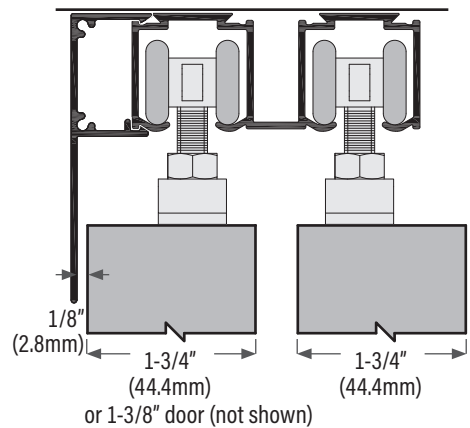
Two fascias for room divider for 1-3/4" door



Two fascias for room divider for 1-3/8" door



One fascia for closet application for 1-3/8" or 1-3/4" door



Head Office: Vancouver, Canada | Branch Offices & Manufacturing Centres: Toronto, Canada & Los Angeles, USA

Contact: www.KrisTrack.com | info@KrisTrack.com