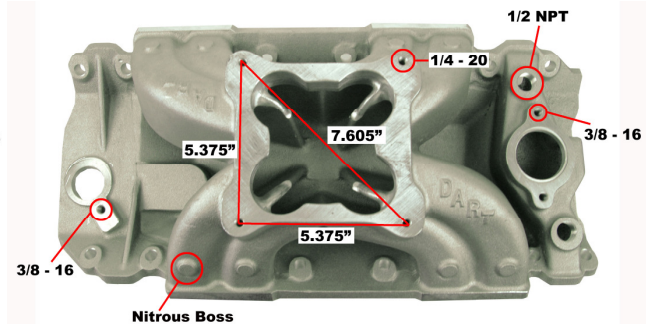
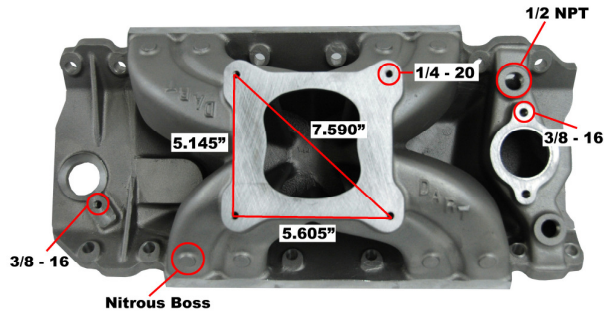
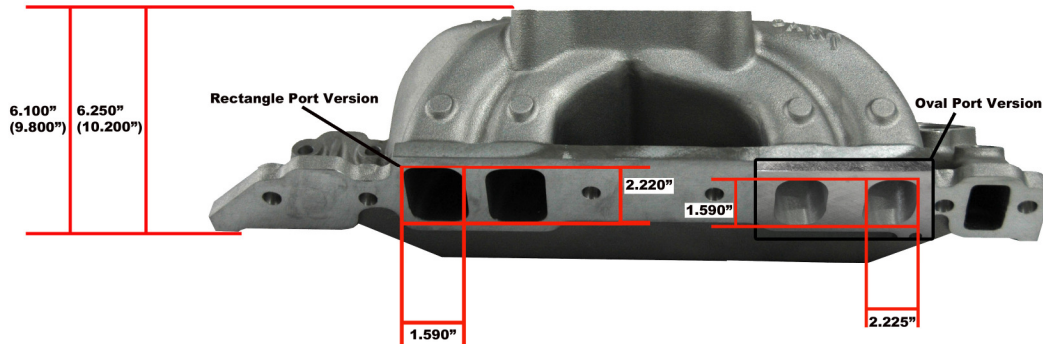




BBC SINGLE PLANE MANIFOLD TECH SHEET



Part number:	41114000 - 41225000
Material:	319 alloy
Weight:	9.800" – 21.5 lbs 10.200" – 23.5 lbs
Deck height:	9.800 and 10.200
Carb flange:	4150 or 4500
Top plate:	N/A
Height:	9.800" – 6.100" T 10.200" – 6.250" T
Port Dim:	Oval – 1.590" T x 2.225" W Rect. – 1.590" W x 2.220" T
Flange Thickness:	9.800" - .500" 10.200" - .800"
Gasket PN#	Oval Port– # 65111212 Rect. Port - # 65123100
Distributor:	Machined for std. deck distributor

Note: Dart manifolds may require additional machining for fitment depending on the deck height of the block, gasket thickness and cylinder head machining.