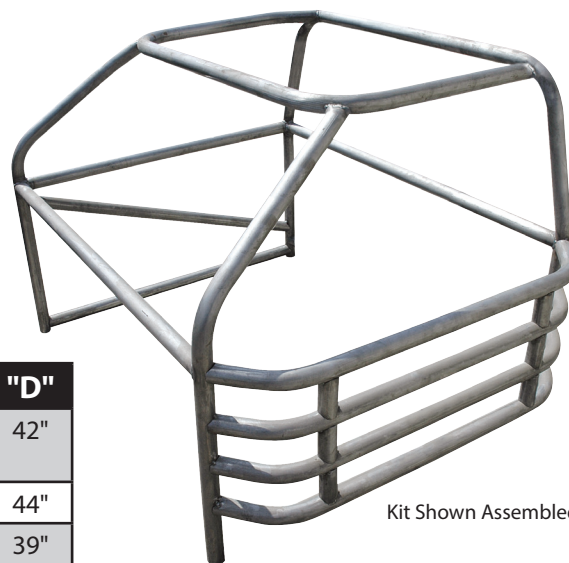




Part No. ALL22101-22107

Standard Roll Cage Kits

Kits include all pieces to assemble a standard cage. Mild steel tubing is 1-3/4" dia., .095" wall, is notched and has uniform bends. Four drivers side curved door bars, "Z" type right side door bar and gussets are included. Measurements are outside-to-outside.

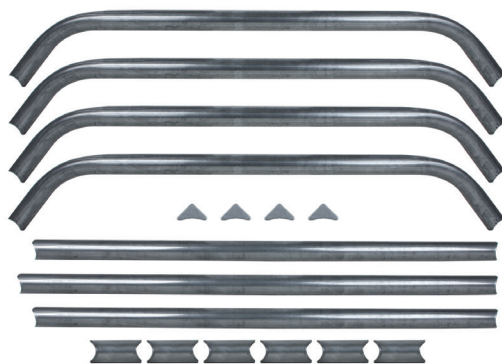


Kit Shown Assembled

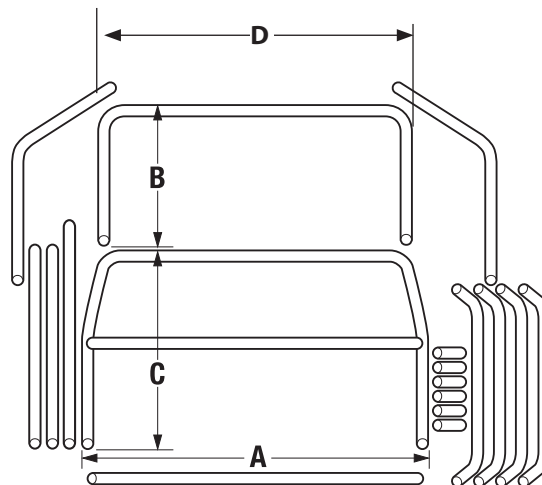
Part No.	Description	"A"	"B"	"C"	"D"
ALL22101	'78-88 GM Metric Chassis (Monte Carlo, Regal, Etc.) '70-81 Camaro/Firebird	54"	28"	41"	42"
ALL22103	'70-77 Monte Carlo, Chevelle, Malibu, Etc.	55"	28"	41"	44"
ALL22107	Mini Stock Universal	49"	28.5"	47"	39"



ALL99201
ALL99203
ALL99207



ALL99221



Individual Components:

- ALL99201.....Main Hoop Assembly for ALL22101
- ALL99203.....Main Hoop Assembly for ALL22103
- ALL99207.....Main Hoop Assembly for ALL22107
- ALL99221.....Component Box for ALL22101, ALL22103 and ALL22107
- ALL22114.....Curved Door Bar
- ALL22115.....Door Bar Spacer

REV081018

Allstar Performance 8300 Lane Dr., Watervliet, MI 49098
Phone: (269) 463-8000 Fax: (800) 772-2618 www.allstarperformance.com