



# Sahara collection.

## Vanity cabinet



Questions, problems, missing parts? Before returning to your retailer, call our customer service department at 1-888-685-8236 or email us at [cs@daxib.com](mailto:cs@daxib.com)

You can also visit our website at [www.daxib.com](http://www.daxib.com)

**DAX**

# Sahara Vanity cabinet.

Indulge in the luxurious textures of the Sahara Collection. With options ranging from rich Black and warm Mocha to pristine White, this collection offers a symphony of colors and finishes to elevate your bathroom's ambience. Each texture exudes opulence and sophistication, creating a captivating atmosphere that transforms your bathroom into a sanctuary of style and indulgence.

Experience the epitome of modern elegance with the Sahara Collection. Its sumptuous textures, including Black, Mocha, and White, bring a sense of refinement to your space. With its distinctive design elements, such as the sleek handles and striking angles, Sahara redefines traditional cabinet aesthetics, offering both style and functionality for your bathroom.

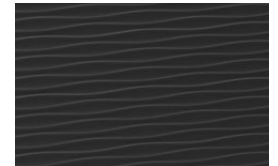
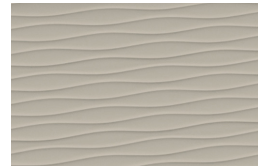
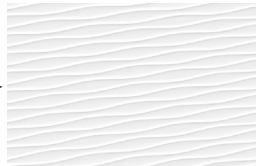
## Base



**Oak**  
DAX-SAH013214  
DAX-SAH014014

**Black**  
DAX-SAH013202  
DAX-SAH014002

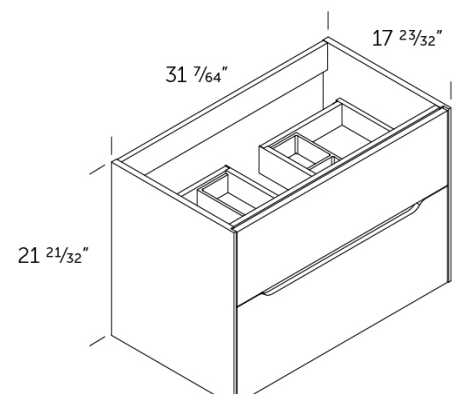
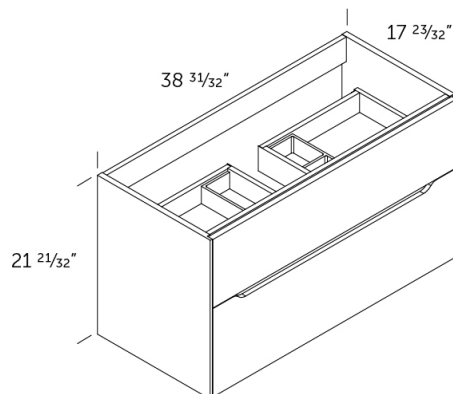
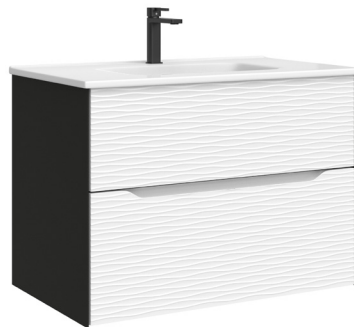
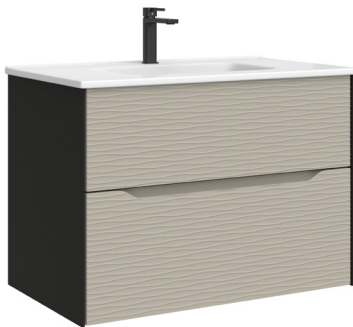
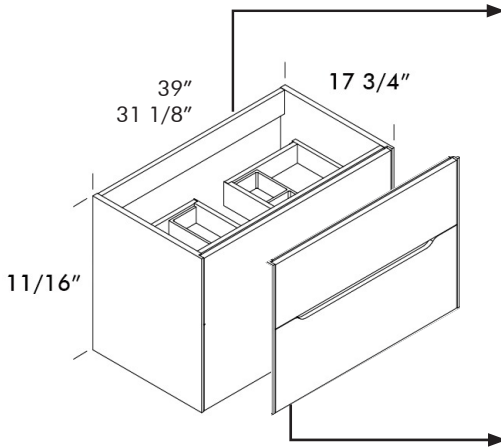
## Front drawers



**White**  
DAX-SAH0132-27  
DAX-SAH0140-27

**Mink**  
DAX-SAH0132-74  
DAX-SAH0140-74

**Black**  
DAX-SAH0132-02  
DAX-SAH0140-02

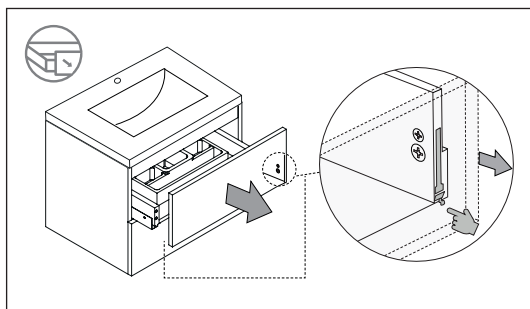
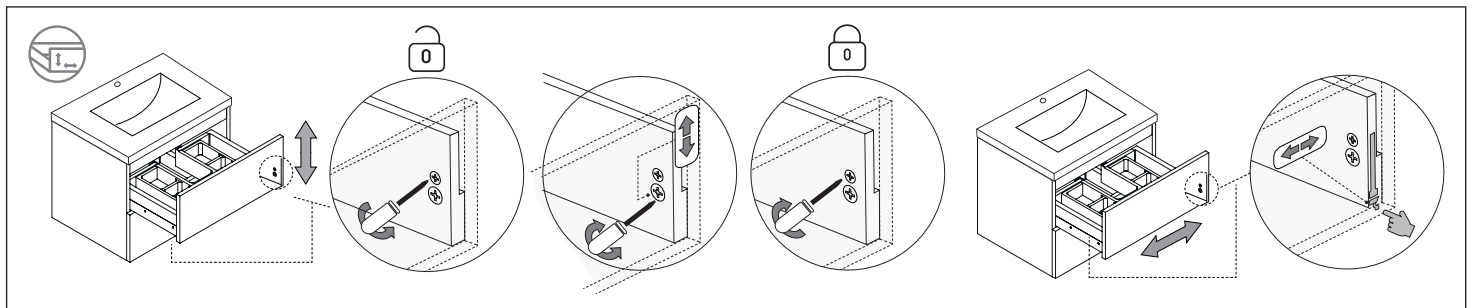
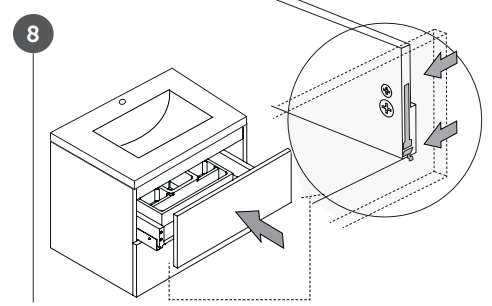
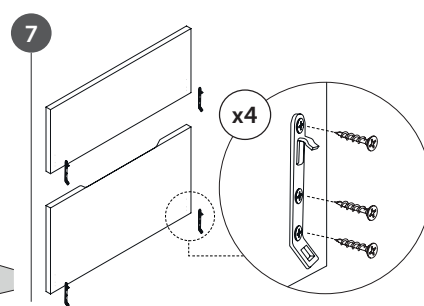
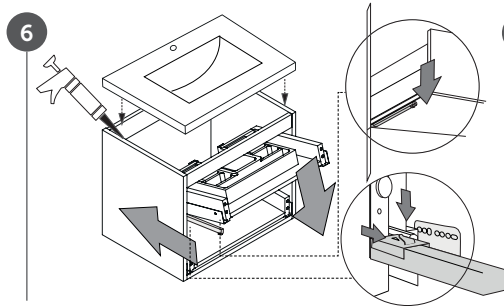
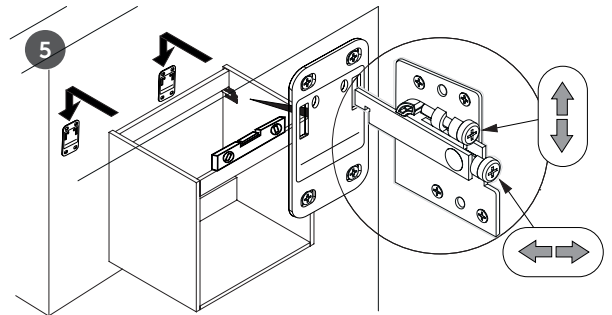
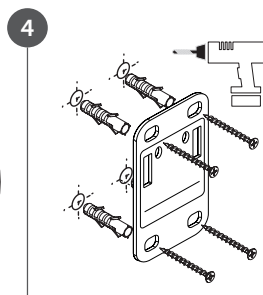
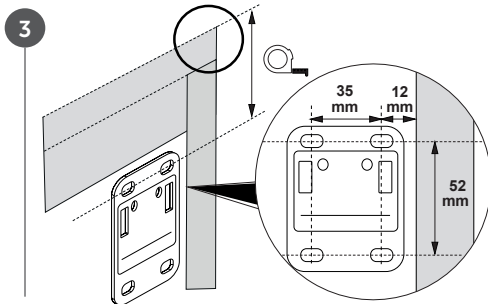
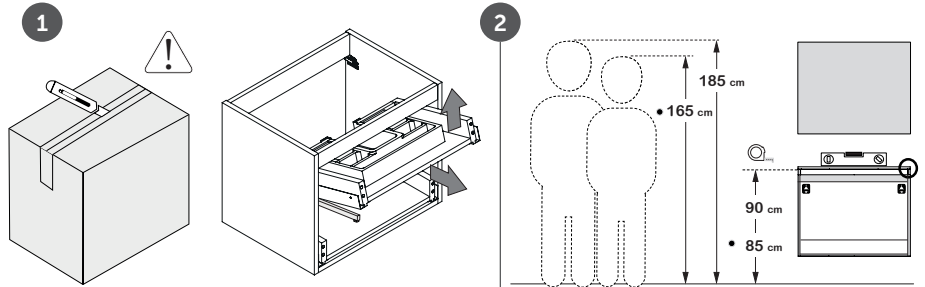
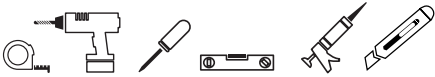


# Instructions.

## Caution



## Before beginning



Our products are designed unique and exclusively for inside use, as complement of other furniture or support or closets for light materials. They are not suitable for an outside use. For the assembly of those parts that are supplied separately, please ready carefully the present manual. The stability and capacity of our products will be exclusively guaranteed within the fulfillment of these guide. The shelves or top parts cannot be considered as a working surface so please refrain from any misuse. We supply expansion screws for a wall fixing of our units. Please refrain from sitting or standing over the units, shelves or drawers as this will cause major damage. Do not hang from doors or drawers. Do not open different doors or drawers at the same time. be extremely careful with glass or mirror compon ents. Do not place the units near any heat source superior to 45° C. Warranties do not cover misuse.

**Notice:** All data in this documentation are only indicative, the aim being to describe the product. If you have questions about how to assemble the furniture or cleaning, contact your point of sale. The company assumes no liability resulting from misuse of the product.

**Maintenance & cleaning:** We do not recommend the use of any chemical cleaning products with our furniture. We only recommend the use of warm mild soapy. Water and a soft lint free cloth.

## Product Care.

Our products are designed uniquely and exclusively for inside use, as a complement to other furniture or support or closets for light materials. They are not suitable for outside use. For the assembly of those parts that are supplied separately, please read carefully the present manual. The stability and capacity of our products will be exclusively guaranteed within the fulfillment of this guide. The shelves or top parts cannot be considered as a working surface so please refrain from any misuse. We supply expansion screws for wall fixing of our units. Please refrain from sitting or standing over the units, shelves, or drawers as this will cause major damage. Do not hang from doors or drawers. Do not open different doors or drawers at the same time. Be extremely careful with glass or mirror components. Do not place the units near any heat source superior to 45° C. Warranties do not cover misuse.

**Notice:** All data in this documentation are only indicative, the aim being to describe the product. If you have questions

about how to assemble the furniture or clean, contact your point of sale. The company assumes no liability resulting from misuse of the product.

**Maintenance & cleaning:** We do not recommend the use of any chemical cleaning products with our furniture. We only recommend the use of warm mild soap. Water and a soft lint-free cloth. not use any chemical cleaning products. We only recommend the use of warm, mild soapy water and soft, lint-free cloth. Wipe up spills immediately. This will prevent them from setting in and causing damage. Dry the vanity thoroughly after cleaning. This will help to prevent moisture damage. Avoid placing hot objects on the vanity. This could cause the finish to crack or warp. Do not expose vanity to direct sunlight or extreme temperatures. This could cause the finish to fade or crack.

## Warranty.

### **BATHROOM CABINETS, BATHROOM VANITIES, LIMITED DAX® WARRANTY Effective Date: February 15, 2024**

DAX guarantees all its products for a period of two years (2) from the date of purchase against any manufacturing defects. The warranty covers the replacement of either the defective part or the entire product, as agreed with the sales department. However, DAX will not cover any installation costs, or any other costs related to the purchase of the product.

DAX shall not be responsible for the product in case of non-compliance with the conditions of storage, installation, and/or use of the product as defined by the applicable regulations, as well as the recommendations of DAX. Generally, if the defect arises as a result of an event attributable to the buyer, its employees, agents, contractors, or subcontractors, DAX will not be held responsible.

The products manufactured and marketed by DAX come with primary and tertiary containers and packaging that ensure the preservation and protection of the product during storage and transportation. However, DAX shall not be responsible for damages resulting from incorrect preservation of the product once delivery has been made to the client company.

#### **WARRANTY COVERAGE:**

DAX warrants this vanity product ("Product") to be free from defects in material and workmanship under normal use and service for a period of 2 YEARS from the date of purchase by the original owner ("Customer").

#### **COVERED COMPONENTS:**

This warranty covers the following components of the Product:

- Vanity cabinet
- Countertops (excluding natural stone)
- Sinks (excluding plumbing components)
- Hardware (hinges, drawer slides, pulls)

#### **EXCLUSIONS:**

This warranty does not cover:

- Normal wear and tear
- Cosmetic damage (scratches, dents, fading)

- Damage caused by improper installation, misuse, abuse, neglect, accidents, unauthorized repairs, or modifications
- Damage caused by improper cleaning or use of harsh chemicals
- Damage caused by natural disasters, fire, flood, or other acts of God
- Plumbing components or electrical components not manufactured by DAX
- Installation costs
- Products purchased second-hand or from unauthorized retailers

#### **WARRANTY CLAIM PROCESS:**

To make a warranty claim, the Customer must contact DAX customer service within the Warranty Period and provide:

Proof of purchase (receipt)  
Description of the problem  
Pictures of the damaged product

#### **WARRANTY REMEDIES:**

Upon verification of a valid warranty claim, DAX will, at its sole discretion, repair or replace the defective component(s) with a new or comparable product.

#### **DISCLAIMER:**

This warranty is in lieu of all other warranties, express or implied, including but not limited to warranties of merchantability and fitness for a particular purpose. DAX shall not be liable for any incidental or consequential damages arising out of the use or misuse of the Product.

#### **GOVERNING LAW:**

This warranty shall be governed by and construed by the laws of the State of Florida.

#### **CONTACT INFORMATION:**

For warranty service, please contact DAX customer service at:  
Phone: (1 888 685 8236)  
Email: (CS@daxib.com)  
Website: www.daxib.com

**daxib.com**

Phone  
+1 (888) 685 8236

Email  
**info@daxib.com**



Instagram  
**@dax.home**



Facebook  
**DAXIB**



Pinterest  
**daxintl**



houzz  
**dax-international**