



Lambda collection.

Vanity cabinet



Questions, problems, missing parts? Before returning to your retailer, call our customer service department at 1-888-685-8236 or email us at cs@daxib.com

You can also visit our website at www.daxib.com

DAX

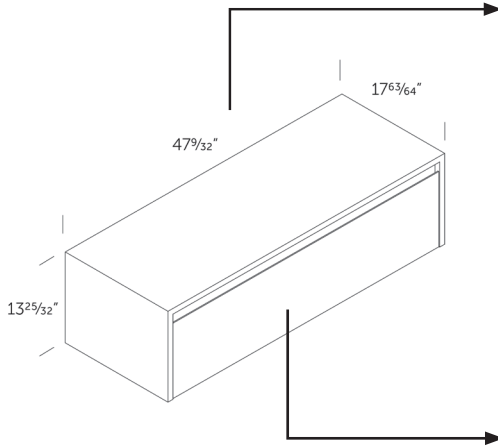
Lambda Vanity cabinet.

Introducing the 2024 Dax Vanity Cabinets – where simplicity meets affordable elegance. Our latest collection offers three distinct styles: Oak Finish, Leag Relieve Finish, Mist Relieve Finish, and Anthracite Relieve Finish. Whether you prefer the timeless charm of oak, the sophisticated relief patterns, the calming misty hues, or the modern appeal of anthracite, our vanity cabinets are designed to elevate your bathroom's aesthetics without breaking the bank. Crafted with meticulous attention to detail, these cabinets provide ample storage space and a touch of luxury, making them the perfect addition to any bathroom. Upgrade to Dax Vanity Cabinets and transform your space with style and affordability.

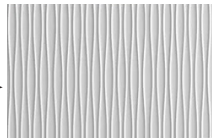
Base



Oak
DAX-LAM032
DAX-LAM040
DAX-LAM048



Front drawers



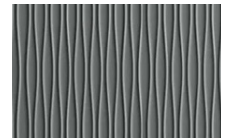
White
DAX-LAM023211
DAX-LAM024011
DAX-LAM024811



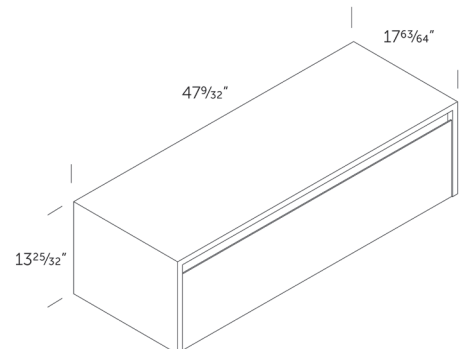
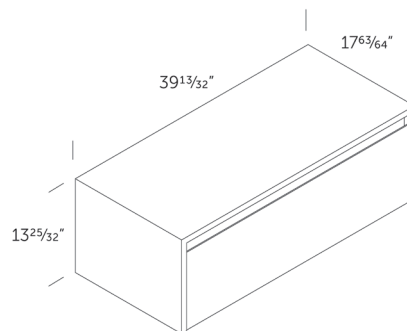
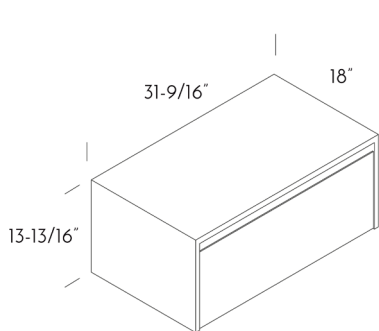
Mink
DAX-LAM023225
DAX-LAM024025
DAX-LAM024825



Black
DAX-LAM023222
DAX-LAM024022
DAX-LAM024822



Anthracite
DAX-LAM023217
DAX-LAM024017
DAX-LAM024817



Product Care.

Our products are designed uniquely and exclusively for inside use, as a complement to other furniture or support or closets for light materials. They are not suitable for outside use. For the assembly of those parts that are supplied separately, please read carefully the present manual. The stability and capacity of our products will be exclusively guaranteed within the fulfillment of this guide. The shelves or top parts cannot be considered as a working surface so please refrain from any misuse. We supply expansion screws for wall fixing of our units. Please refrain from sitting or standing over the units, shelves, or drawers as this will cause major damage. Do not hang from doors or drawers. Do not open different doors or drawers at the same time. Be extremely careful with glass or mirror components. Do not place the units near any heat source superior to 45° C. Warranties do not cover misuse.

Notice: All data in this documentation are only indicative, the aim being to describe the product. If you have questions

about how to assemble the furniture or clean, contact your point of sale. The company assumes no liability resulting from misuse of the product.

Maintenance & cleaning: We do not recommend the use of any chemical cleaning products with our furniture. We only recommend the use of warm mild soap. Water and a soft lint-free cloth. not use any chemical cleaning products. We only recommend the use of warm, mild soapy water and soft, lint-free cloth. Wipe up spills immediately. This will prevent them from setting in and causing damage. Dry the vanity thoroughly after cleaning. This will help to prevent moisture damage. Avoid placing hot objects on the vanity. This could cause the finish to crack or warp. Do not expose vanity to direct sunlight or extreme temperatures. This could cause the finish to fade or crack.

Warranty.

BATHROOM CABINETS, BATHROOM VANITIES, LIMITED DAX® WARRANTY Effective Date: February 15, 2024

DAX guarantees all its products for a period of two years (2) from the date of purchase against any manufacturing defects. The warranty covers the replacement of either the defective part or the entire product, as agreed with the sales department. However, DAX will not cover any installation costs, or any other costs related to the purchase of the product.

DAX shall not be responsible for the product in case of non-compliance with the conditions of storage, installation, and/or use of the product as defined by the applicable regulations, as well as the recommendations of DAX. Generally, if the defect arises as a result of an event attributable to the buyer, its employees, agents, contractors, or subcontractors, DAX will not be held responsible.

The products manufactured and marketed by DAX come with primary and tertiary containers and packaging that ensure the preservation and protection of the product during storage and transportation. However, DAX shall not be responsible for damages resulting from incorrect preservation of the product once delivery has been made to the client company.

WARRANTY COVERAGE:

DAX warrants this vanity product ("Product") to be free from defects in material and workmanship under normal use and service for a period of 2 YEARS from the date of purchase by the original owner ("Customer").

COVERED COMPONENTS:

This warranty covers the following components of the Product:

- Vanity cabinet
- Countertops (excluding natural stone)
- Sinks (excluding plumbing components)
- Hardware (hinges, drawer slides, pulls)

EXCLUSIONS:

This warranty does not cover:

- Normal wear and tear
- Cosmetic damage (scratches, dents, fading)

- Damage caused by improper installation, misuse, abuse, neglect, accidents, unauthorized repairs, or modifications
- Damage caused by improper cleaning or use of harsh chemicals
- Damage caused by natural disasters, fire, flood, or other acts of God
- Plumbing components or electrical components not manufactured by DAX
- Installation costs
- Products purchased second-hand or from unauthorized retailers

WARRANTY CLAIM PROCESS:

To make a warranty claim, the Customer must contact DAX customer service within the Warranty Period and provide:

Proof of purchase (receipt)
Description of the problem
Pictures of the damaged product

WARRANTY REMEDIES:

Upon verification of a valid warranty claim, DAX will, at its sole discretion, repair or replace the defective component(s) with a new or comparable product.

DISCLAIMER:

This warranty is in lieu of all other warranties, express or implied, including but not limited to warranties of merchantability and fitness for a particular purpose. DAX shall not be liable for any incidental or consequential damages arising out of the use or misuse of the Product.

GOVERNING LAW:

This warranty shall be governed by and construed by the laws of the State of Florida.

CONTACT INFORMATION:

For warranty service, please contact DAX customer service at:
Phone: (1 888 685 8236)
Email: (CS@daxib.com)
Website: www.daxib.com

daxib.com

Phone
+1 (888) 685 8236

Email
info@daxib.com



Instagram
@dax.home



Facebook
DAXIB



Pinterest
daxintl



houzz
dax-international