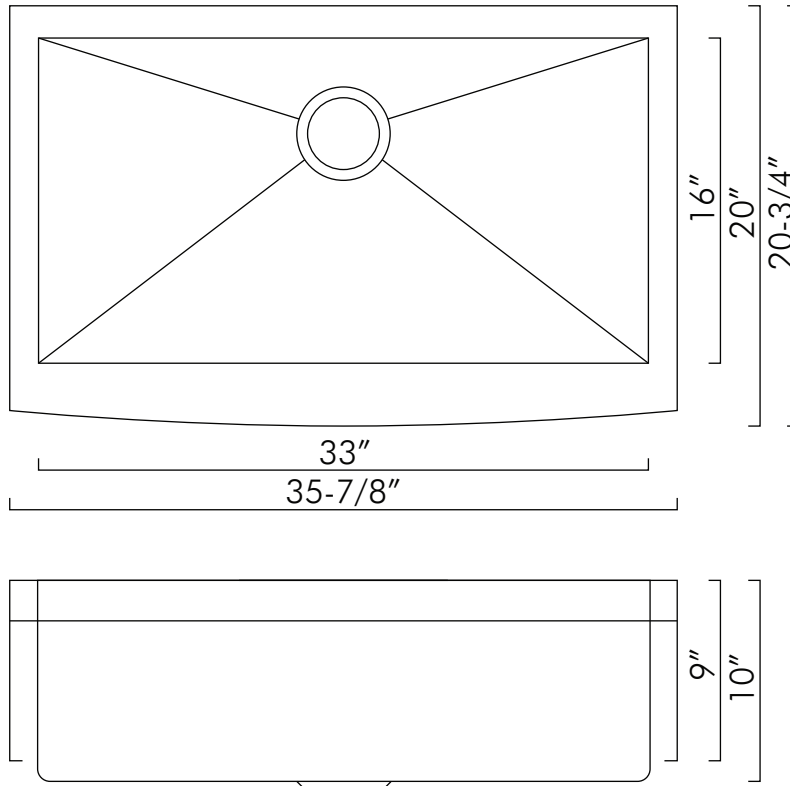




KA-SQ-3621



FARMHOUSE KITCHEN SINKS **SERIES**



FEATURES

- Handmade sink
- 0mm radius corner
- Undermount or overmount
- 304 Stainless Steel
- Apron: 16 gauge
- Bowl: 18 gauge
- Brushed Stainless Steel
- Size W 35-7/8" x H 20-3/4" x D 10"
- Standard 3-1/2" drain opening
- Undercoated and sound pads
- Mounting clips and cutting template

ACCESSORIES

- Bottom grid not included (available)
- Stainless steel basket strainer not included (available)
- Stainless steel standard strainer not included (available)
- Square stainless steel colander not included (available)
- Grey silicone dish rack not included (available)



KITCHEN SINK KA-SQ-3621

MODEL	KA-SQ-3621
INNER BASIN DEPTH (in)	9"
INNER BASIN WIDTH (in)	33"
INNER BASIN HEIGHT (in)	16"
HEIGHT	20-3/4"
DEPTH	10"
WIDTH	35-7/8"
BOTTOM GRIDS INCLUDED	no
BASIN SPLIT	no
BASKET STRAINER INCLUDED	no
COLANDER INCLUDED	no
DRAIN CONNECTION	3-1/2"
DRAIN PLACEMENT INNER	back
FARMHOUSE	yes
FAUCET HOLES	no
GAUGE	Apron: 16 - Bowl: 18
INSTALLATION TYPE	Undermount or overmount
MATERIAL	304 Stainless Steel
MINIMUM CABINET SIZE	X
MOUNTING HARDWARE INCLUDED	yes
NUMBER OF BASINS	1
PRODUCT WEIGHT	67.0602 lb
SINK SHAPE	rectangle
SOUND DAMPENING	yes
STAINLESS STEEL GRADE	304
UPC APPROVED	yes
SINK FINISH TYPE :	brushed

For parts or sale requirements please contact our customer service department:

 CS@daxib.com

 1 888 685 8236