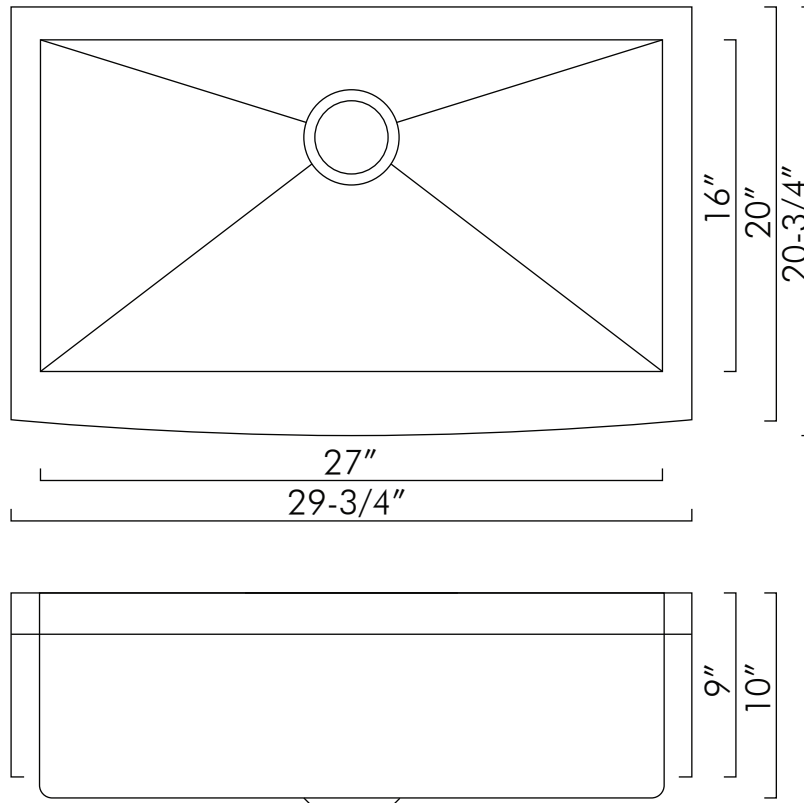




KA-SQ-3021



FARMHOUSE KITCHEN SINKS **SERIES**



## FEATURES

- Handmade sink
- 0mm radius corner
- Undermount or overmount
- 304 Stainless Steel
- Apron: 16 gauge
- Bowl: 18 gauge
- Brushed Stainless Steel
- Size W 29-3/4" x H 20-3/4" x D 10"
- Standard 3-1/2" drain opening
- Undercoated and sound pads
- Mounting clips and cutting template

## ACCESSORIES

- Bottom grid not included (available)
- Stainless steel basket strainer not included (available)
- Stainless steel standard strainer not included (available)
- Square stainless steel colander not included (available)
- Grey silicone dish rack not included (available)



**KITCHEN SINK KA-SQ-3021**

MODEL	KA-SQ-3021
INNER BASIN DEPTH (in)	9"
INNER BASIN WIDTH (in)	27"
INNER BASIN HEIGHT (in)	16"
HEIGHT	20-3/4"
DEPTH	10"
WIDTH	29-3/4"
BOTTOM GRIDS INCLUDED	no
BASIN SPLIT	no
BASKET STRAINER INCLUDED	no
COLANDER INCLUDED	no
DRAIN CONNECTION	3-1/2"
DRAIN PLACEMENT INNER	center back
FARMHOUSE	yes
FAUCET HOLES	no
GAUGE	Apron: 16 - Bowl: 18
INSTALLATION TYPE	Undermount/Overmount
MATERIAL	304 Stainless Steel
MINIMUM CABINET SIZE	X
MOUNTING HARDWARE INCLUDED	yes
NUMBER OF BASINS	1
PRODUCT WEIGHT	59.0 lb
SINK SHAPE	rectangle
SOUND DAMPENING	yes
STAINLESS STEEL GRADE	304
UPC APPROVED	yes
SINK FINISH TYPE	brushed

For parts or sale requirements please contact our customer service department:

 [CS@daxib.com](mailto:CS@daxib.com)

 1 888 685 8236